

[54] WATCH

[75] Inventor: Andy Warhol, deceased, late of New York, N.Y., by Frederick Hughes, executor

[73] Assignee: North American Watch Company, New York, N.Y.

[\*\*] Term: 14 Years

[21] Appl. No.: 327,589

[22] Filed: Mar. 23, 1989

[52] U.S. Cl. .... D10/32; D10/39

[58] Field of Search ..... D10/30-39; D11/3-6, 12, 93; 368/220-224, 277, 280-285, 294-298

[56] References Cited

U.S. PATENT DOCUMENTS

D. 78,958	7/1929	Wewetzer	.....	D10/32
D. 164,343	8/1951	Wishengrad	.....	D11/12
D. 252,860	9/1979	Perrin	.....	D10/39
D. 254,198	2/1980	Hardy	.....	D11/4
D. 265,464	7/1982	Bannwart	.....	D10/38
D. 267,860	2/1983	Kabaya	.....	D10/32
D. 279,552	7/1985	Maglioli	.....	D10/39
1,626,139	4/1927	Kraysler	.....	D11/12 X
1,692,434	11/1928	Candas	.....	D11/4 X
1,750,786	3/1930	Roy	.....	D11/93 X
1,954,249	4/1934	Kehl	.....	368/281 X

FOREIGN PATENT DOCUMENTS

696086	12/1930	France	.....	D11/6
733729	10/1932	France	.....	368/277
0066177	4/1985	Japan	.....	368/73
195115	4/1938	Switzerland	.....	368/296
202596	4/1939	Switzerland	.....	368/296

OTHER PUBLICATIONS

Swiss Watch & Jewelry Journal; 6/1982; p. 635.  
Best Catalogue; 1986/87; p. 93; #19 Seiko Watch upper right corner.  
Goldschmiede Zeitung; 10/1987; p. 120; Bracelet at bottom of page.

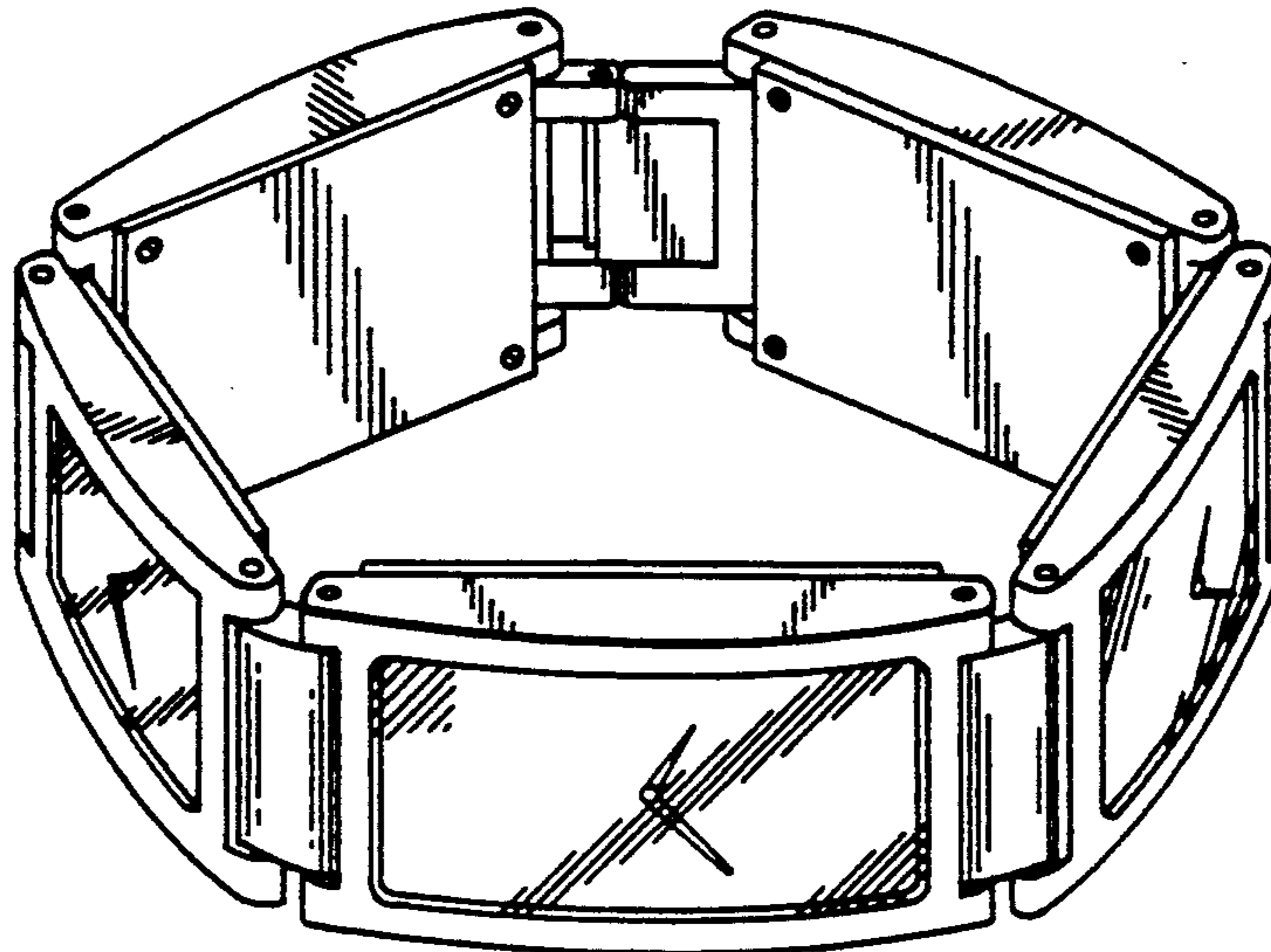
Primary Examiner—Nelson C. Holtje  
Assistant Examiner—Caron D. Veynar  
Attorney, Agent, or Firm—Finnegan, Henderson, Farabow, Garrett & Dunner

[57] CLAIM

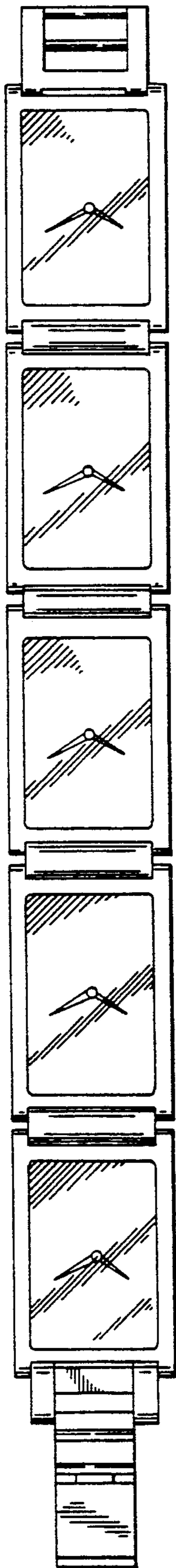
The ornamental design for a watch, as shown.

DESCRIPTION

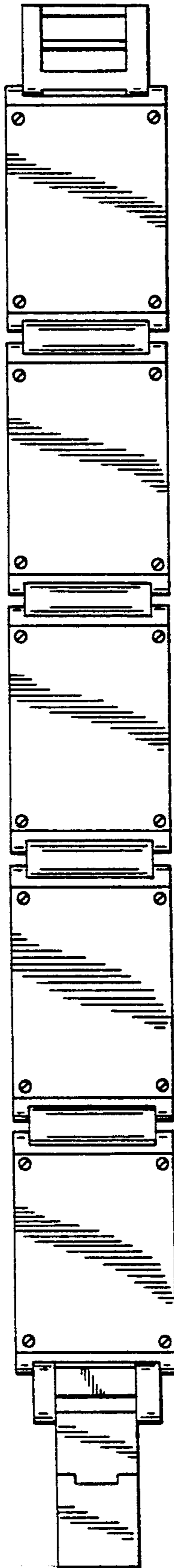
FIG. 1 is a top plan view of a watch showing my new design;  
FIG. 2 is a bottom plan view;  
FIG. 3 is a left side elevational view;  
FIG. 4 is a right side elevational view;  
FIG. 5 is a rear elevational view;  
FIG. 6 is a front elevational view;  
FIG. 7 is a perspective view.



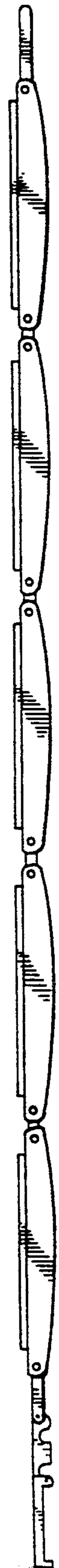
*FIG. 1*



*FIG. 2*



*FIG. 3*



**FIG. 4**



**FIG. 5**



**FIG. 6**



**FIG. 7**

