

- [54] **ADJUSTABLE WALL-MOUNTED APPLIANCE SUPPORT**
- [75] Inventors: **William L. Boscacci; Edward L. O'Neill**, both of San Leandro, Calif.
- [73] Assignee: **Lucasey Manufacturing Corporation**, Oakland, Calif.
- [**] Term: **14 Years**
- [21] Appl. No.: **94,859**
- [22] Filed: **Sep. 9, 1987**
- [52] U.S. Cl. **D8/363; D8/373**
- [58] Field of Search **D8/349, 354-355, D8/363, 373-374, 380; 248/670, 220.2, 235, 241, 274, 284, 281.1, 291, 309.1, 310, 317, 323-324; 108/149**

D. 206,384	12/1966	Lindenmuth	D8/363 X
D. 251,343	3/1979	Hausen	D8/363 X
D. 285,528	9/1986	Huot	D8/349 X
3,774,873	11/1973	Krogsrud	248/324 X
3,916,627	11/1975	Carlisle et al.	248/324 X
4,659,047	4/1987	Haller	248/310 X

Primary Examiner—Brian N. Vinson
Attorney, Agent, or Firm—Niro, Scavone, Haller & Niro

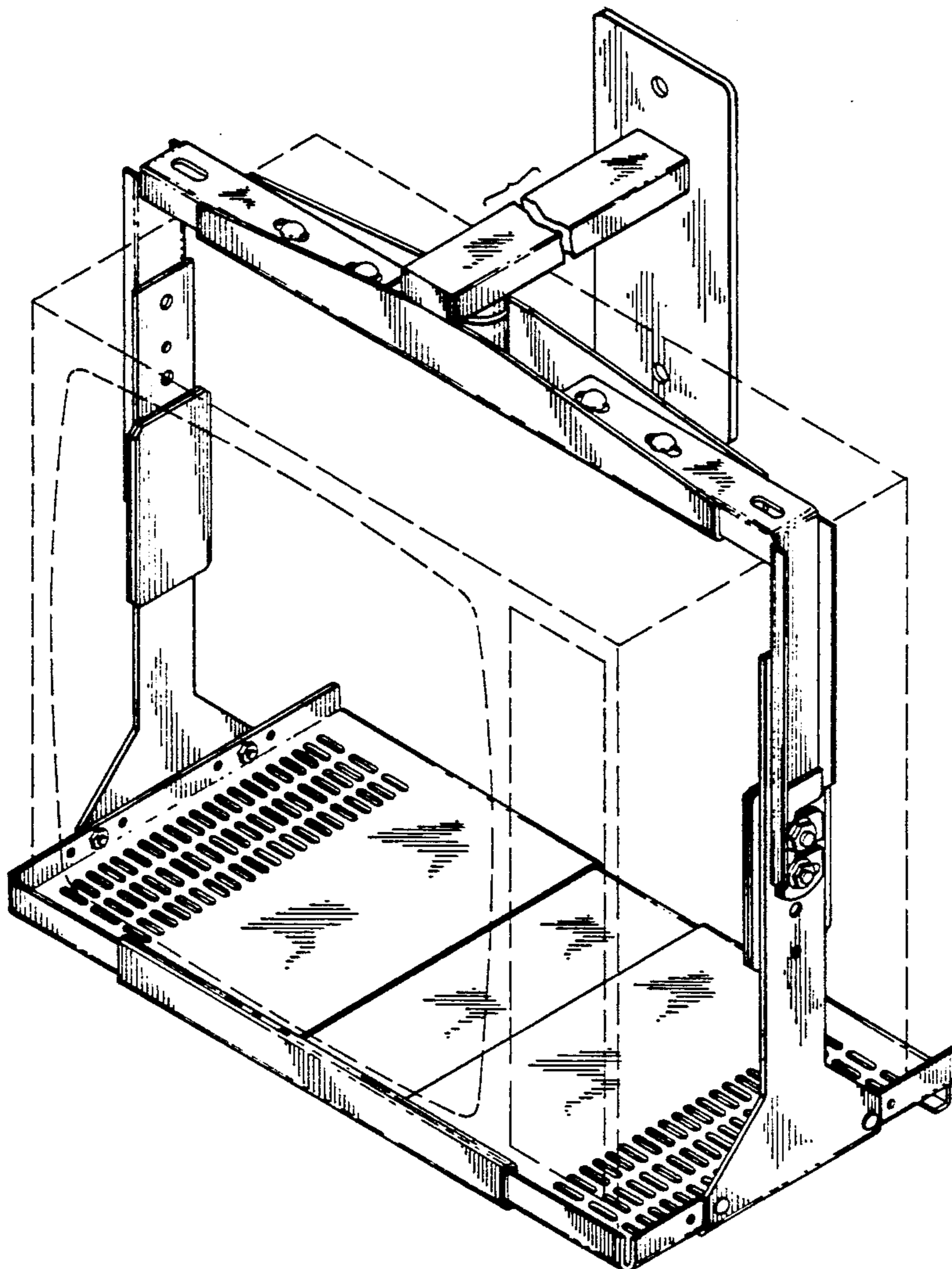
[57] **CLAIM**

The ornamental design for an adjustable wall-mounted appliance support, as shown and described.

DESCRIPTION

FIG. 1 is a top, front, and right side perspective view of an adjustable wall-mounted appliance support showing our new design, the broken-line depiction of a television set being for illustrative purposes only and forming no part of the claimed design;
 FIG. 2 is a left side elevational view thereof, the right side being a mirror image of that shown;
 FIG. 3 is a rear elevational view thereof; and
 FIG. 4 is a bottom plan view thereof.

- [56] **References Cited**
- U.S. PATENT DOCUMENTS**
- D. 187,701 4/1960 Dahlberg D8/363
- D. 196,439 10/1963 Wann D8/363



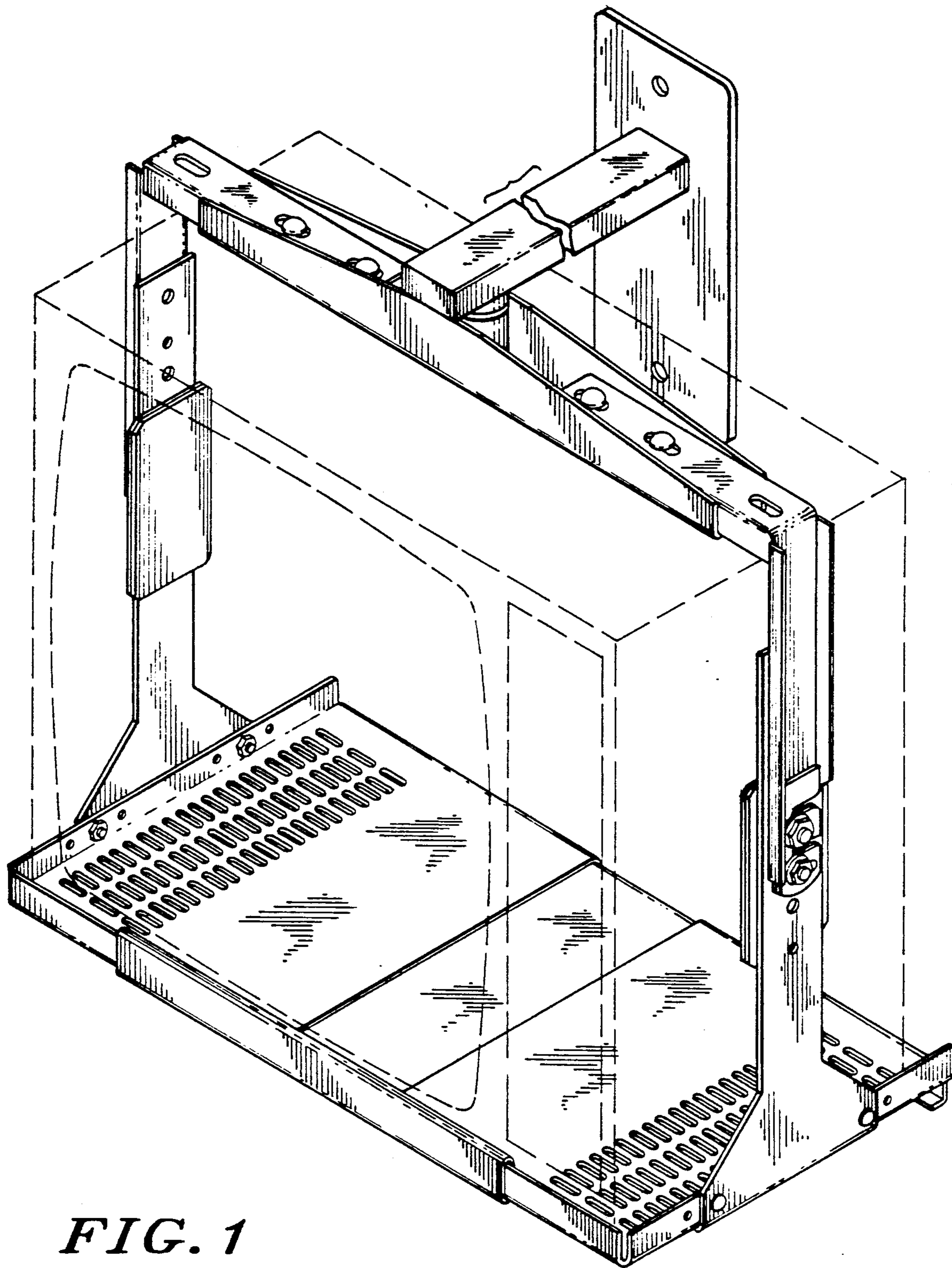


FIG. 1

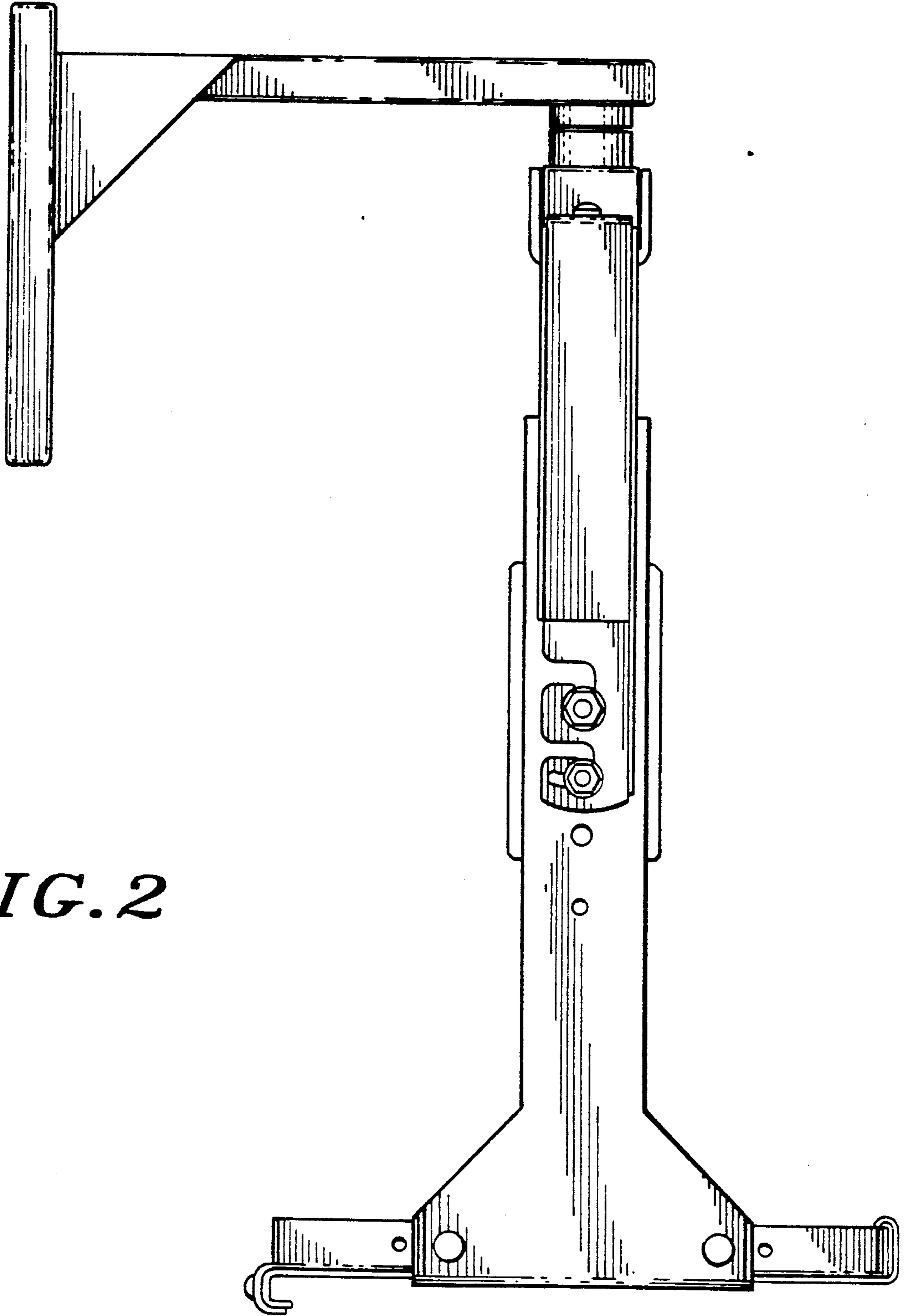


FIG. 2

FIG. 3

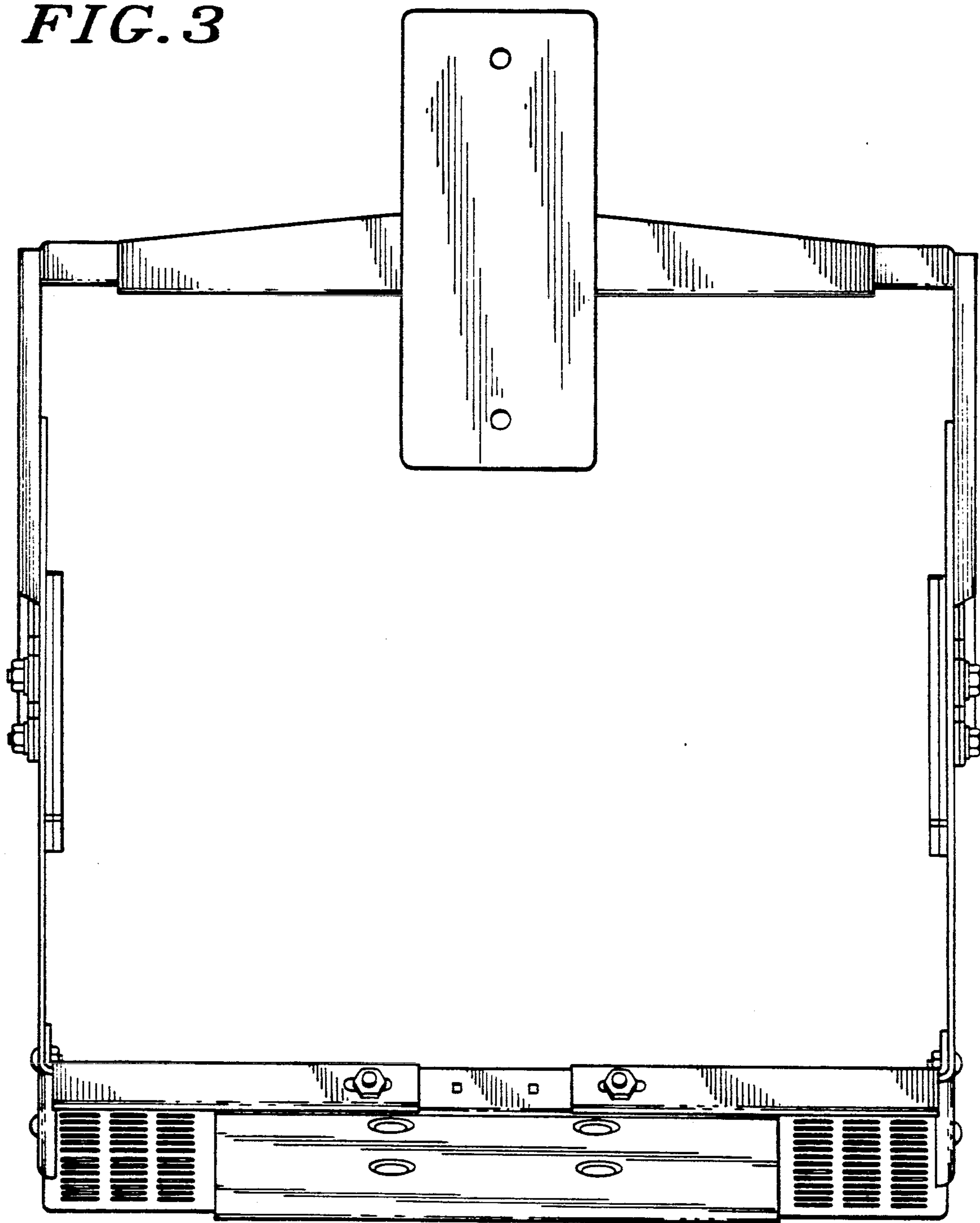


FIG. 4

