

[54] MULTIPURPOSE BICYCLE TOOL

[76] Inventor: Bob Shaw, P.O. Box 106, Penngrove, Calif. 94951

[**] Term: 14 Years

[21] Appl. No.: 407,790

[22] Filed: Sep. 15, 1989

[52] U.S. Cl. D8/105

[58] Field of Search D8/14, 105; 59/7; 81/177.2, 177.4; 7/139, 165, 167, 170

[56] References Cited

U.S. PATENT DOCUMENTS

2,826,893	3/1958	Falk et al.	59/7
4,477,936	10/1984	Weston	7/139

OTHER PUBLICATIONS

American Bicyclist & Motorcyclist, Mar. 1987, p. 35, Chain Rivet Tool.

Bike Nashbar, Spring 1987, p. 42, Cyclo Chain Rivet Tool.

Bike Nashbar, X Mass 1988, p. 46, Chain Rivet Tool.

Primary Examiner—Bernard Ansher

Assistant Examiner—Philip Hyder

Attorney, Agent, or Firm—Larry D. Johnson

[57] CLAIM

The ornamental design for a multipurpose bicycle tool, as shown and described.

DESCRIPTION

FIG. 1 is a front elevational view of a multipurpose bicycle tool showing my new design;

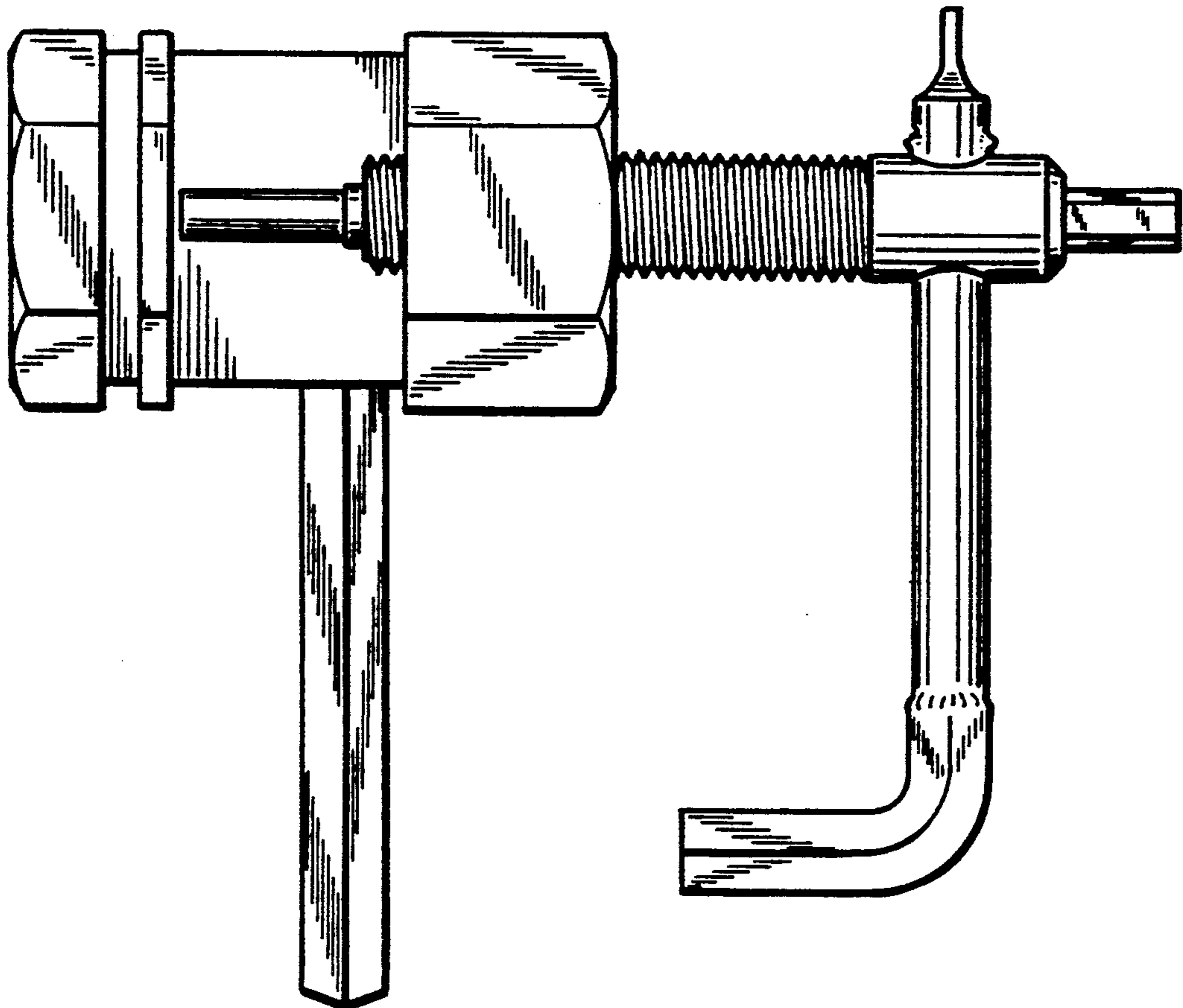
FIG. 2 is a right side elevational view thereof;

FIG. 3 is a top plan view thereof;

FIG. 4 is a rear elevational view thereof;

FIG. 5 is a left side elevational view thereof; and

FIG. 6 is a bottom plan view thereof.



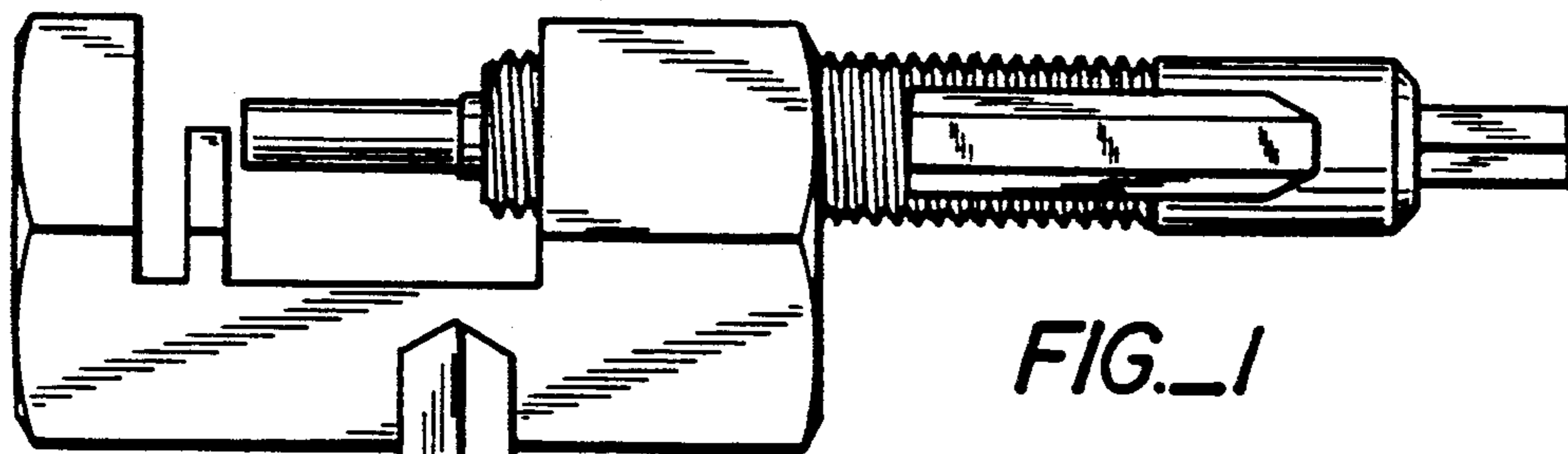


FIG. 1

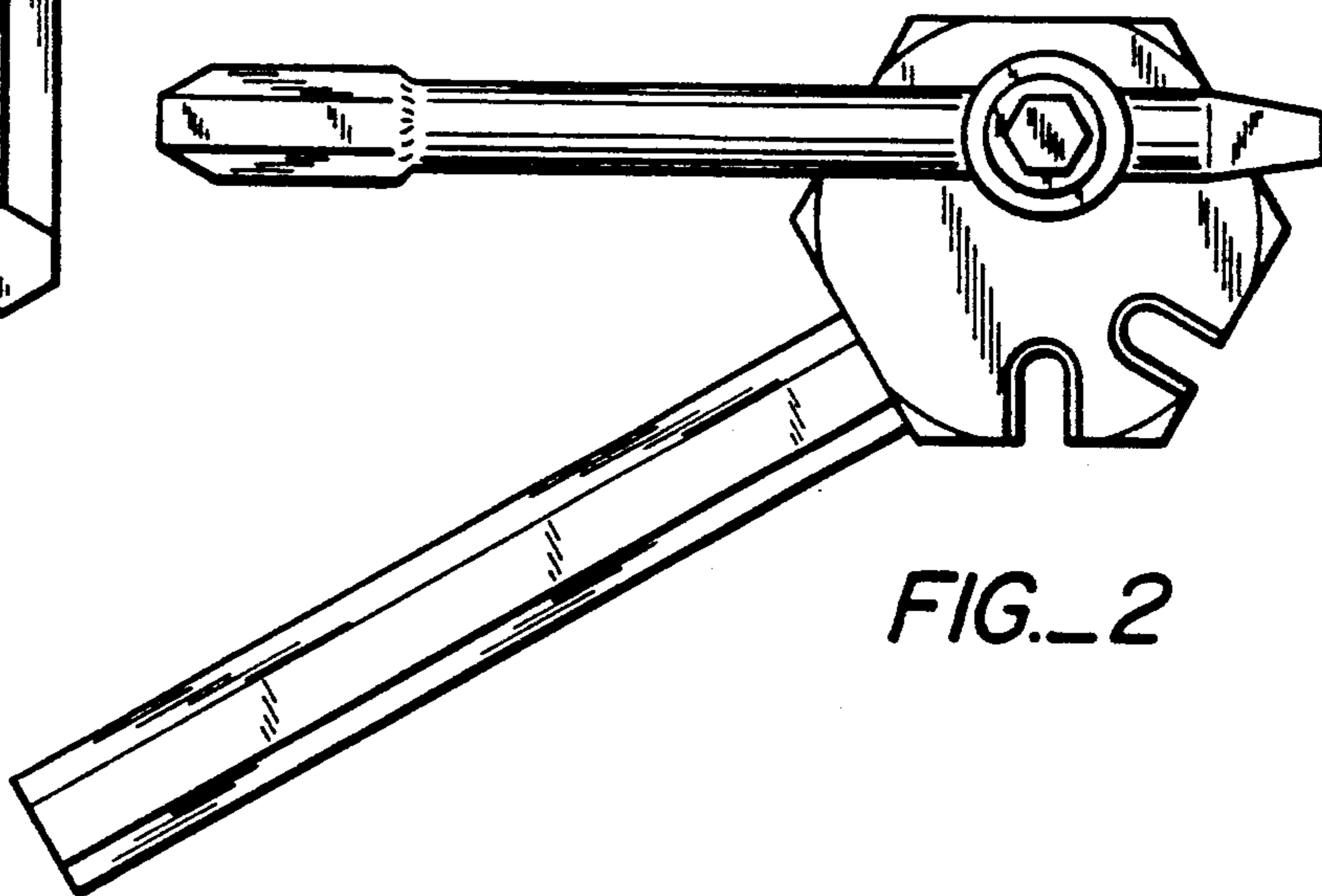


FIG. 2

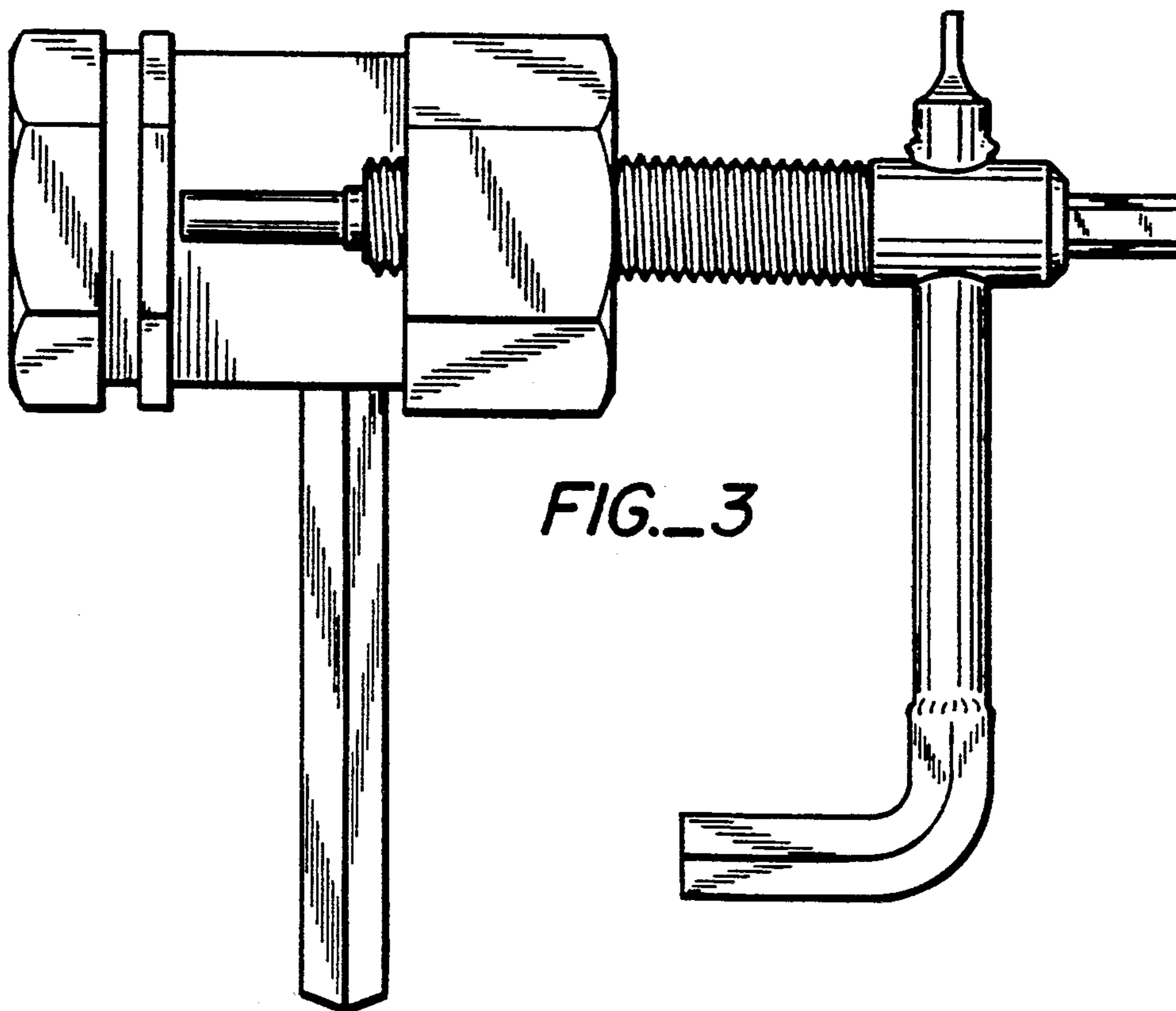


FIG. 3

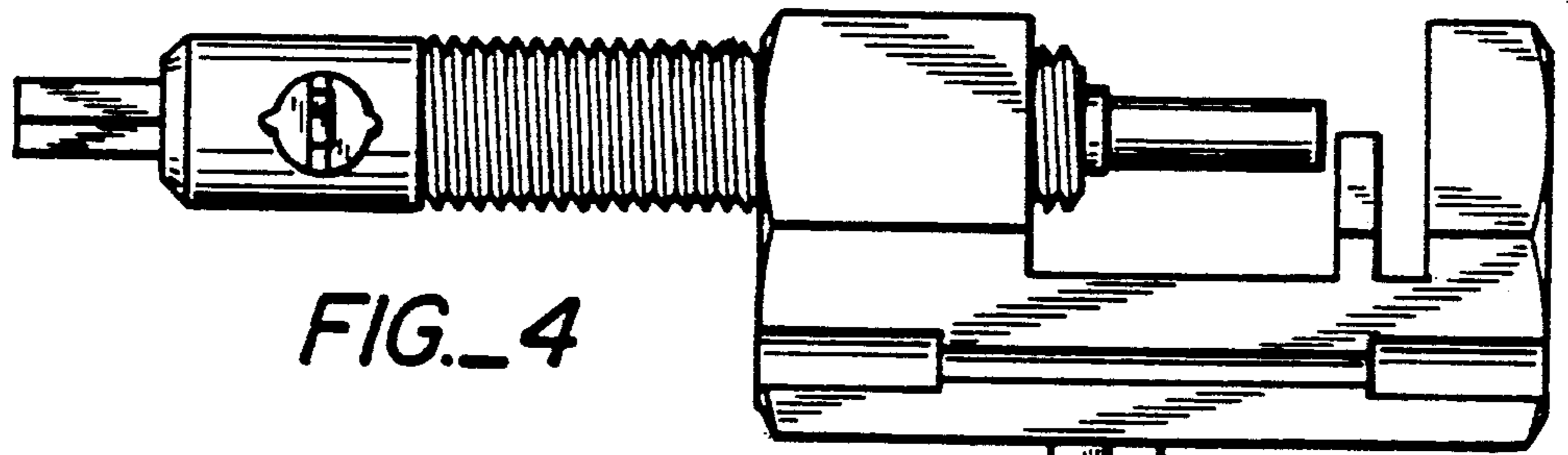


FIG._4

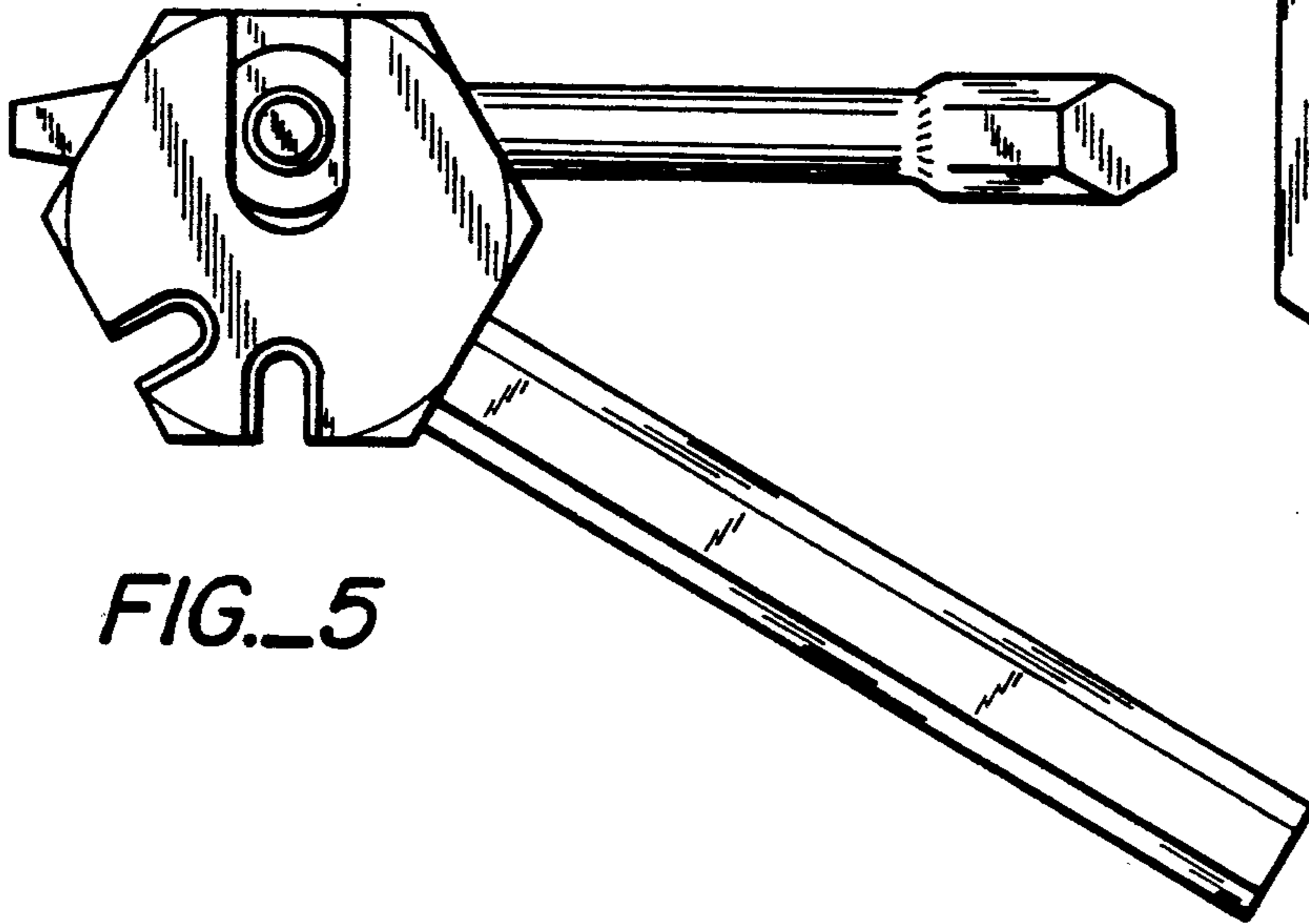


FIG._5

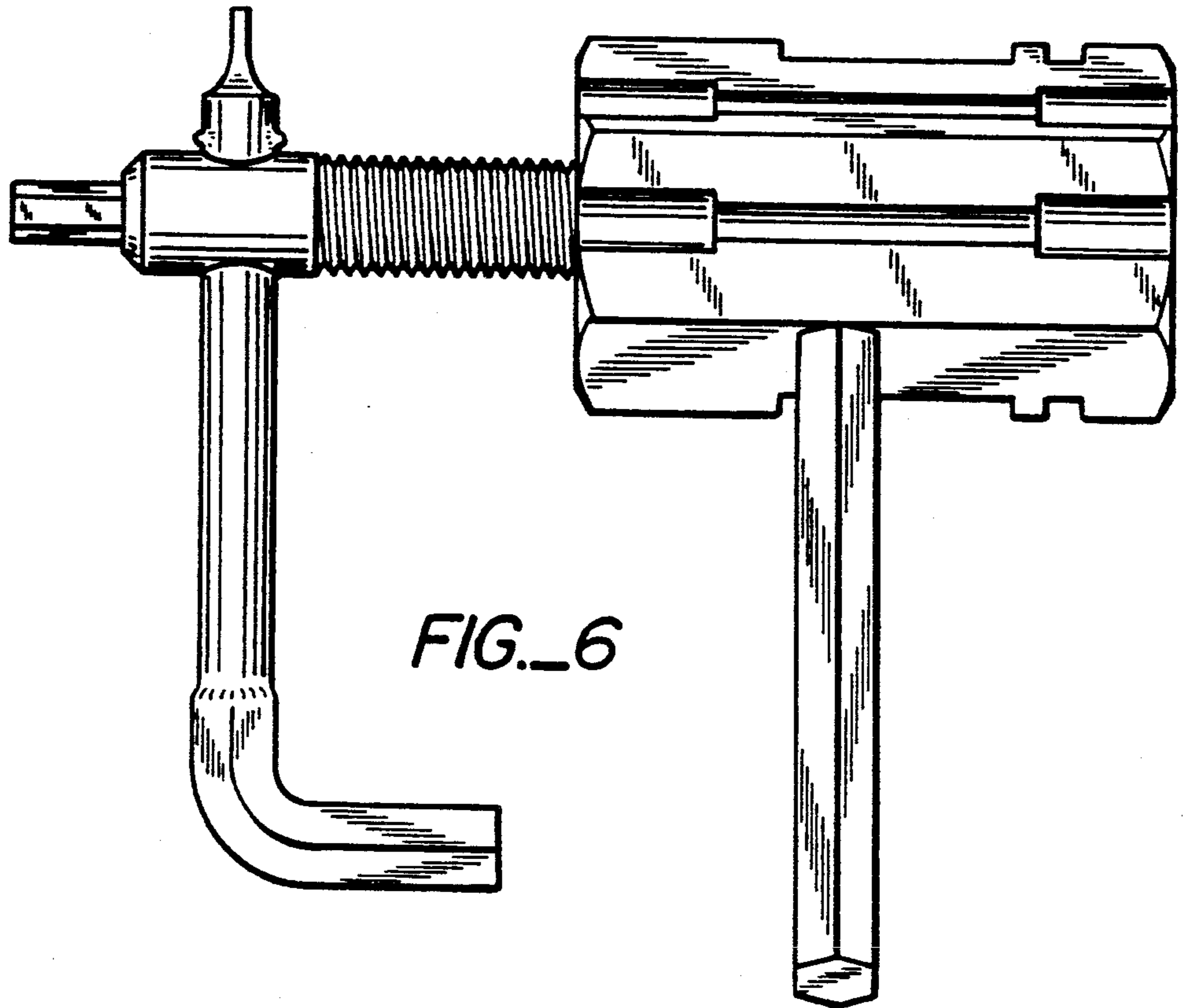


FIG._6