

[54] **ELECTRIC SCREWDRIVER OR SIMILAR ARTICLE**

[76] Inventor: **Chih-Yuan Liu**, P.O. Box 179, Chia Yi City, Taiwan

[\*\*] Term: **14 Years**

[21] Appl. No.: **344,025**

[22] Filed: **Apr. 26, 1989**

[52] U.S. Cl. .... **D8/61**

[58] Field of Search ..... **D8/61, 62, 63; 173/163, 173/170; 81/44, 54, 57, 57.11, 57.13, 57.14, 475; 320/2**

3,935,909 2/1976 Mabuchi et al. .... D8/61 X  
 4,374,354 2/1983 Petrovic et al. .... 320/2  
 4,653,359 3/1987 Liao ..... 81/475  
 4,708,210 11/1087 Rahm ..... 173/170

*Primary Examiner*—Nelson C. Holtje  
*Assistant Examiner*—J. H. Musgrove  
*Attorney, Agent, or Firm*—Thomas R. Vigil

[57] **CLAIM**

The ornamental design for electric screwdriver or similar article, as shown and described.

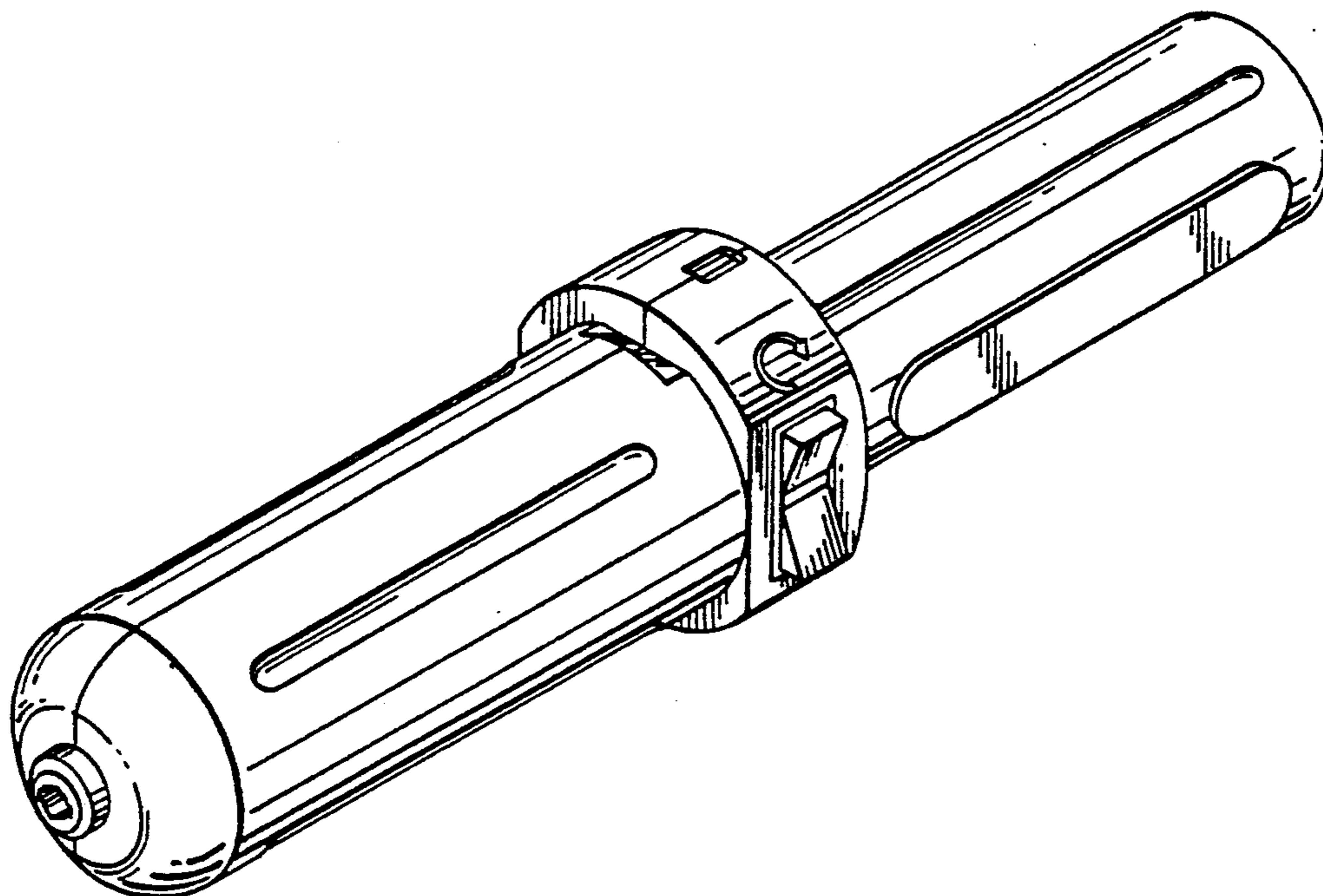
**DESCRIPTION**

FIG. 1 is a front, top and right side perspective view of an electric screwdriver or similar article showing my new design;  
 FIG. 2 is a top plan view;  
 FIG. 3 is a bottom plan view;  
 FIG. 4 is a front elevational view;  
 FIG. 5 is a rear elevational view;  
 FIG. 6 is a left side elevational view; and  
 FIG. 7 is a right side elevational view.

[56] **References Cited**

**U.S. PATENT DOCUMENTS**

D. 217,218	4/1970	Staub	.....	D8/61
D. 298,009	10/1988	Svetlik	.....	D8/61
D. 308,622	6/1990	Fushiya et al.	.....	D8/61
D. 310,160	8/1990	Patel	.....	D8/61
D. 310,470	9/1990	Tohdoh	.....	D8/62
3,866,493	2/1975	Ringerud	.....	81/57.11



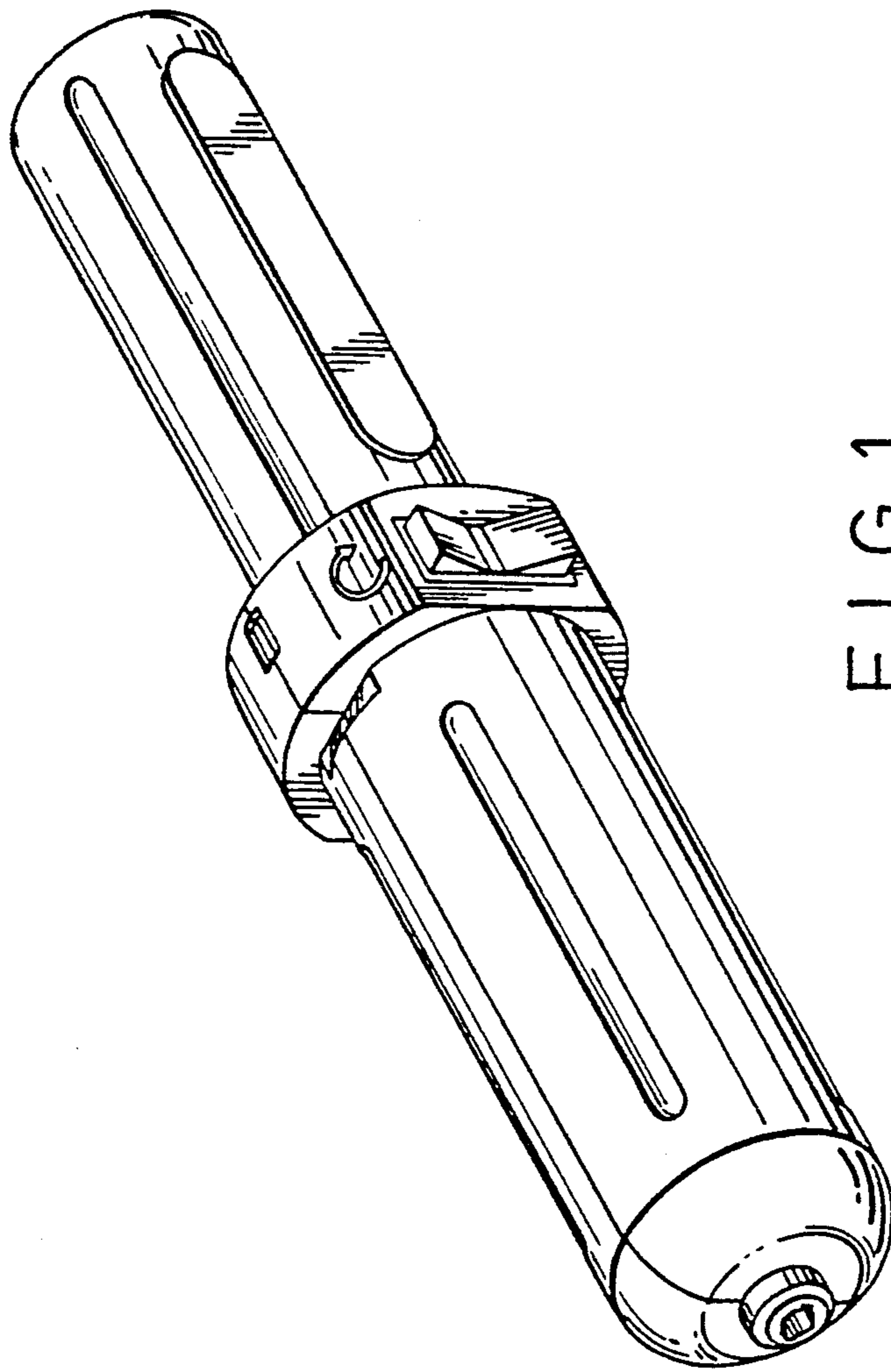


FIG. 1

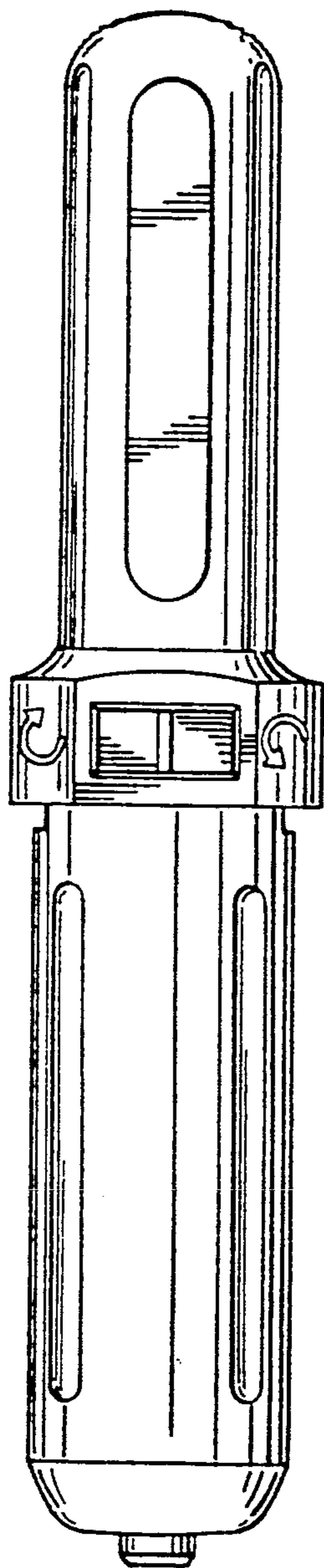


FIG. 2

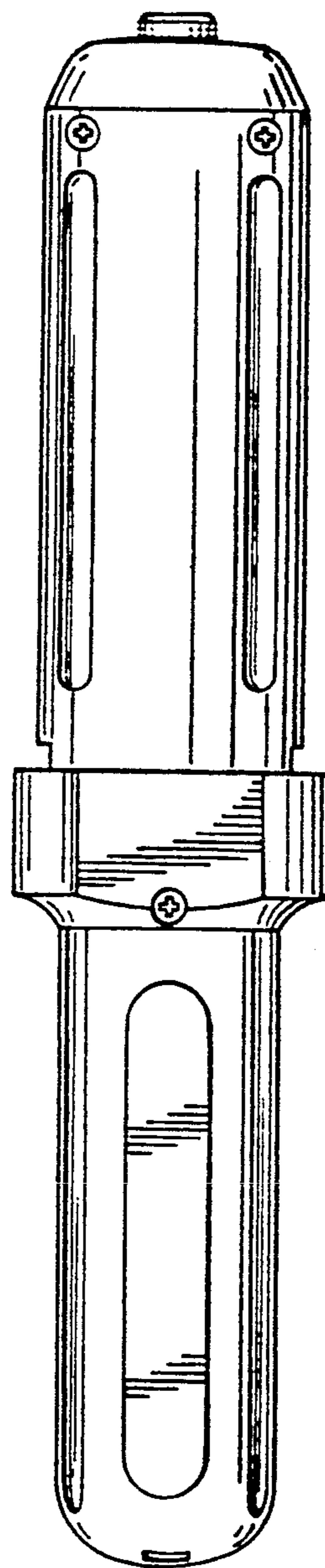


FIG. 3

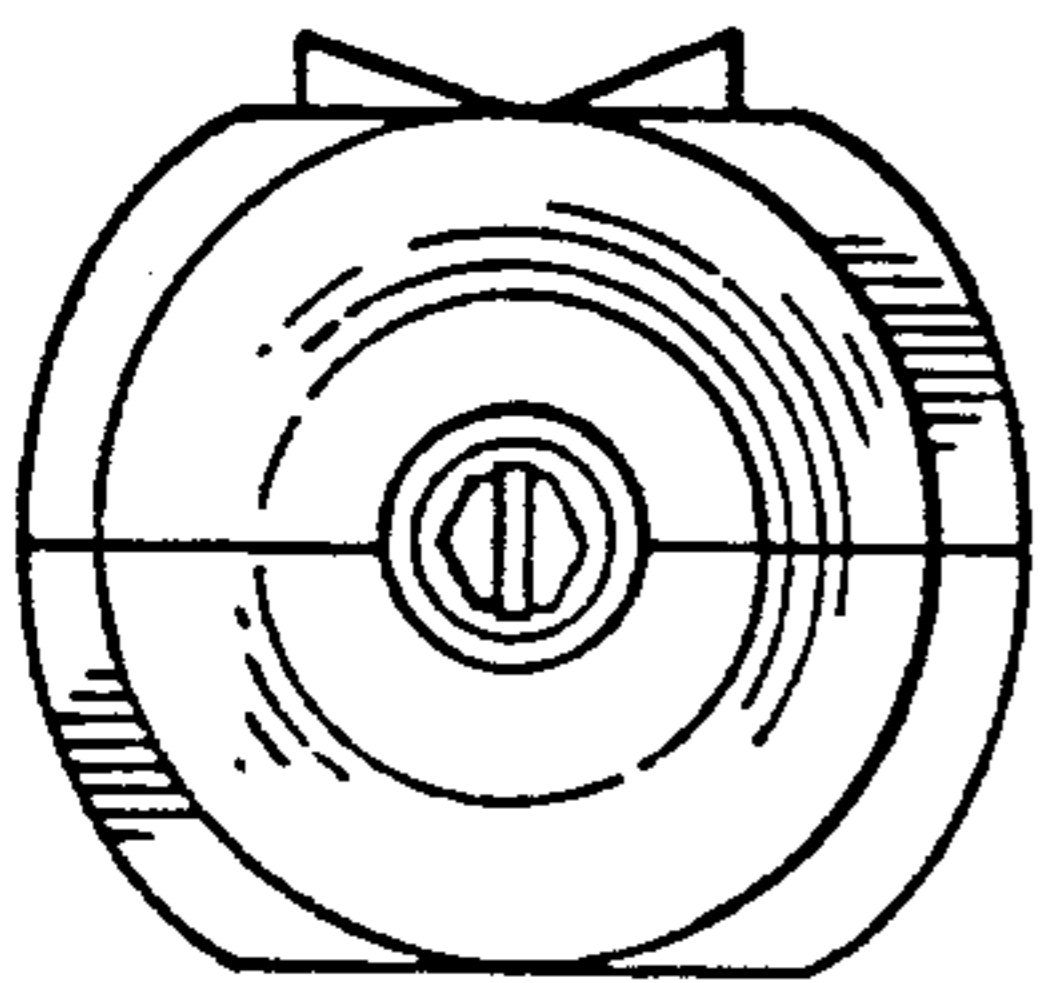


FIG. 4

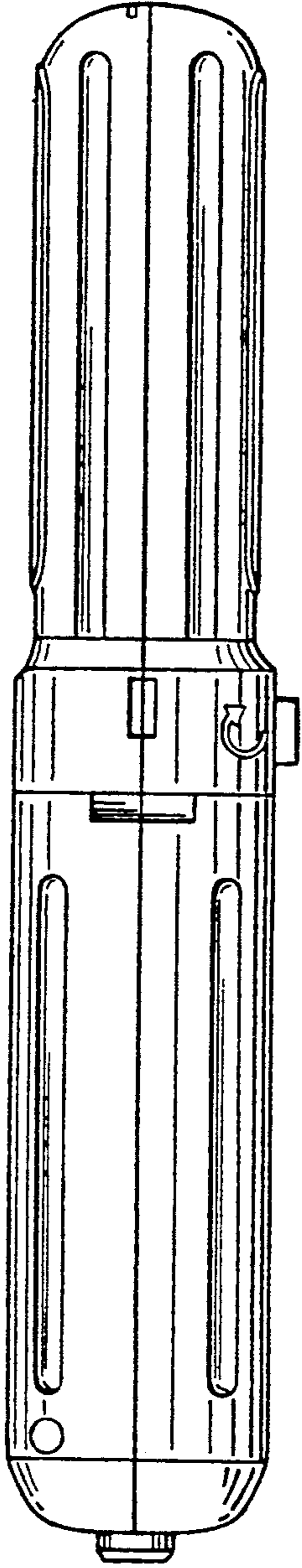


FIG. 6

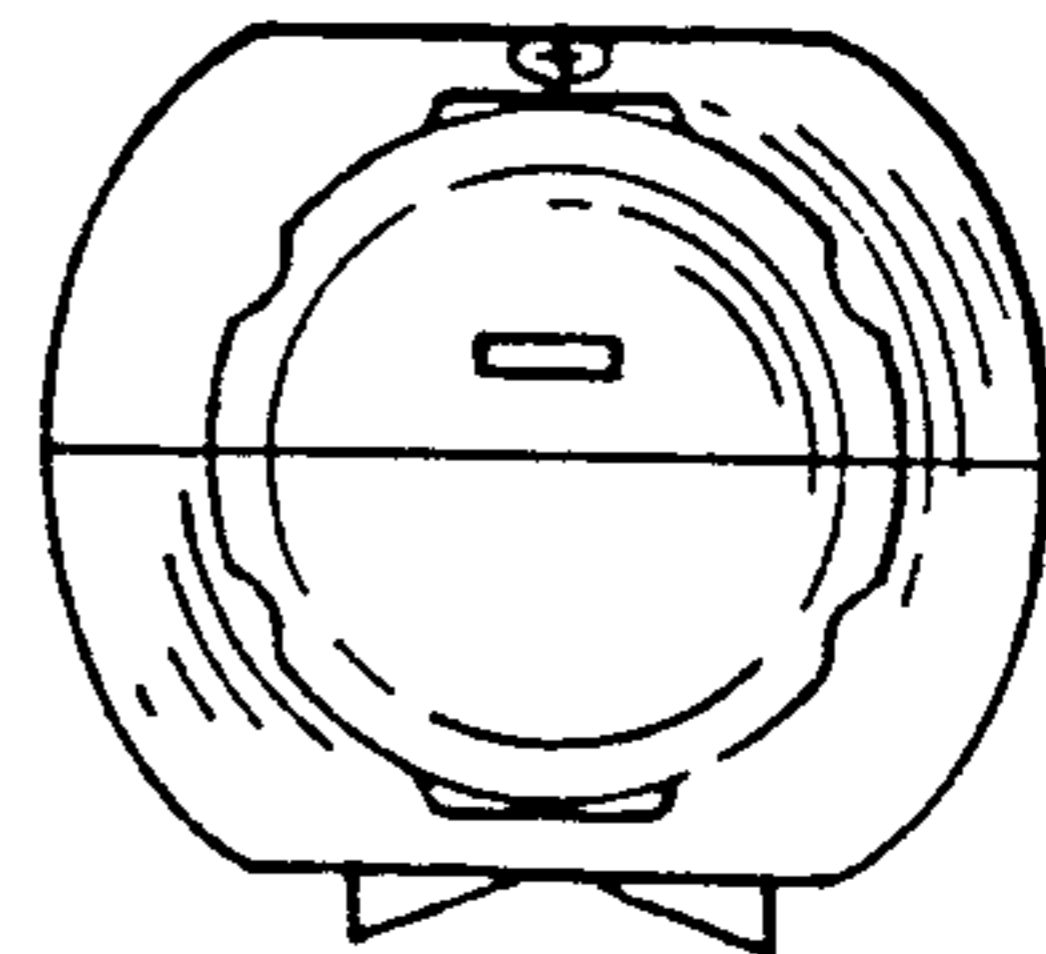


FIG. 5

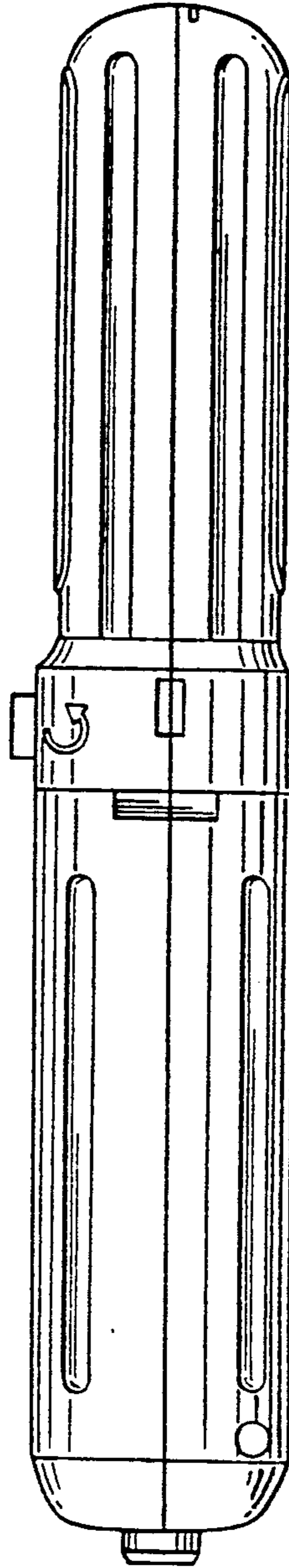


FIG. 7