

[54] PNEUMATIC FASTENER DRIVING TOOL

[75] Inventor: Yung J. Lee, Taipei, Taiwan

[73] Assignee: De Poan Pneumatic Corporation, Taipei Hsien, Taiwan

[**] Term: 14 Years

[21] Appl. No.: 299,213

[22] Filed: Jan. 19, 1989

[52] U.S. Cl. D8/61

[58] Field of Search D8/61, 68; 227/120, 227/130, 131, 132

3,858,780 1/1975 Perkins et al. D8/61 X
3,893,610 7/1975 Smith D8/61 X
3,905,535 9/1975 Isvjak et al. D8/61 X

Primary Examiner—Nelson C. Holtje
Assistant Examiner—J. H. Musgrove
Attorney, Agent, or Firm—Leonard Bloom

[57] CLAIM

The ornamental design for a pneumatic fastener driving tool, as shown.

DESCRIPTION

FIG. 1 is a front and top-right perspective view of a pneumatic fastener driving tool showing my new design;

FIG. 2 is a right side elevational view;

FIG. 3 is a left side elevational view;

FIG. 4 is a front elevational view;

FIG. 5 is a rear elevational;

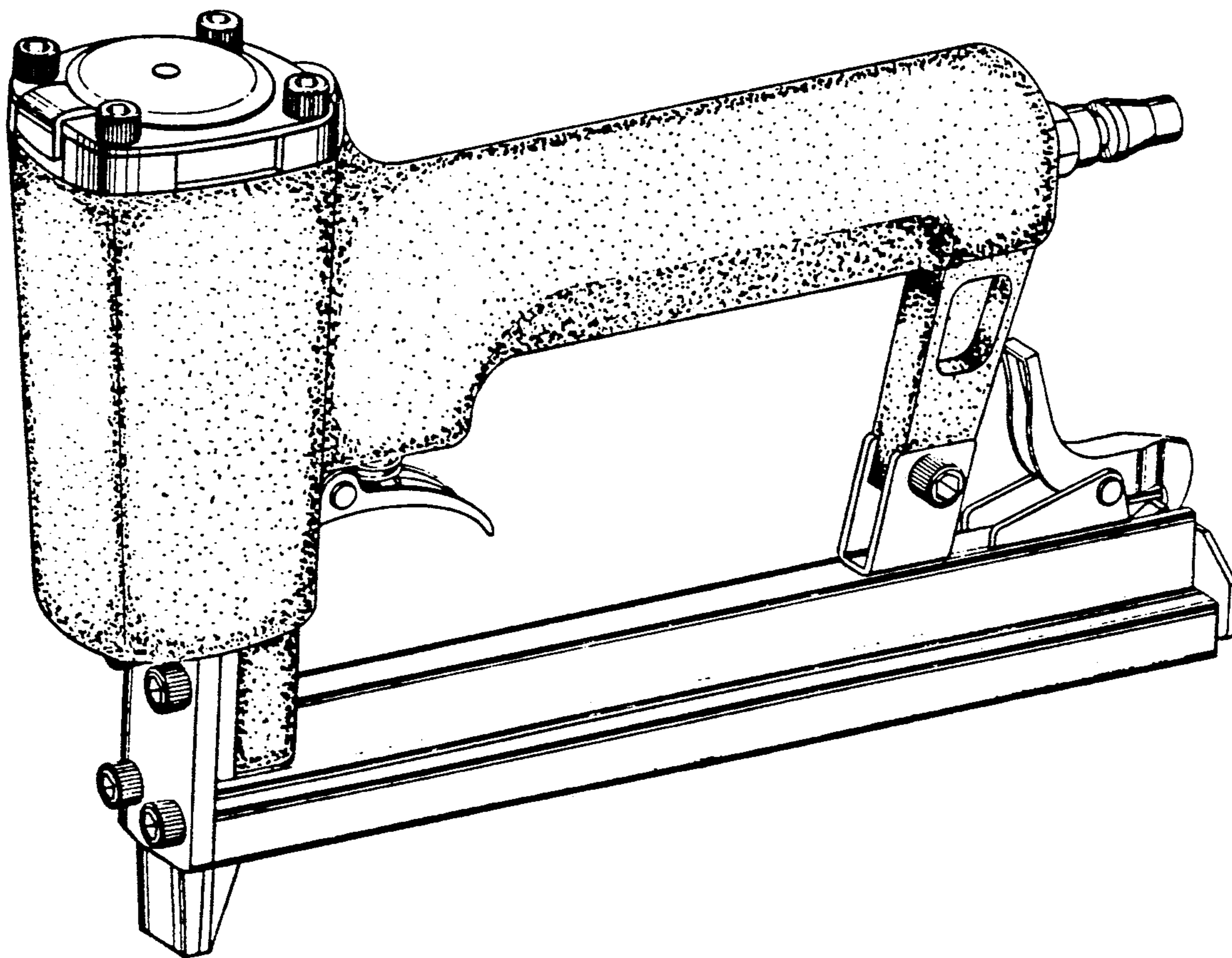
FIG. 6 is a top plan view; and

FIG. 7 is a bottom plan view thereof.

[56] References Cited

U.S. PATENT DOCUMENTS

D. 260,354	8/1981	Proops et al.	D8/61
D. 266,221	9/1982	Ewig	D8/61
D. 282,345	1/1986	Fehrs	D8/61
3,491,931	1/1970	Sales	D8/61 X
3,797,723	3/1974	Perkins et al.	D8/61 X



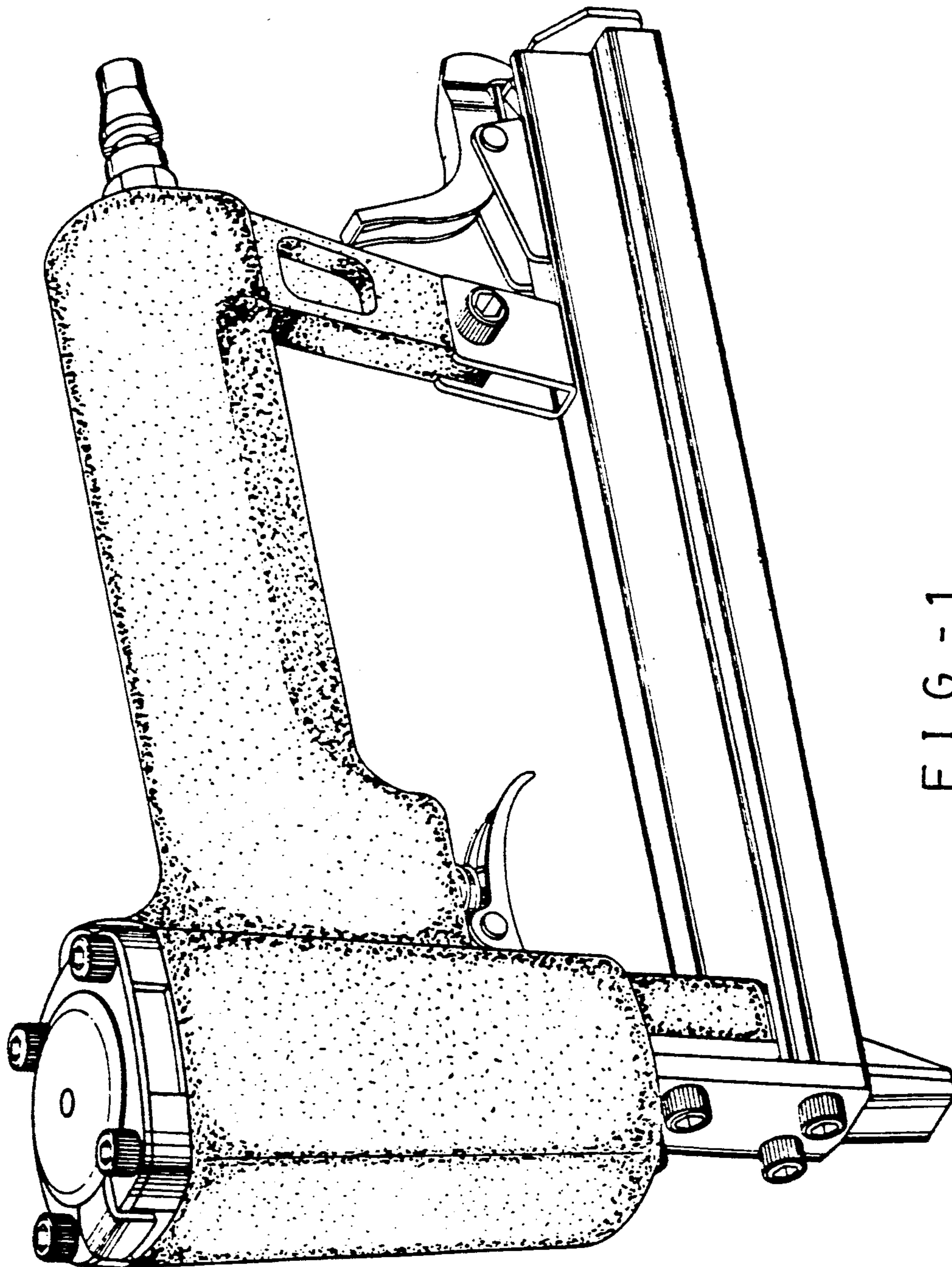


FIG - 1

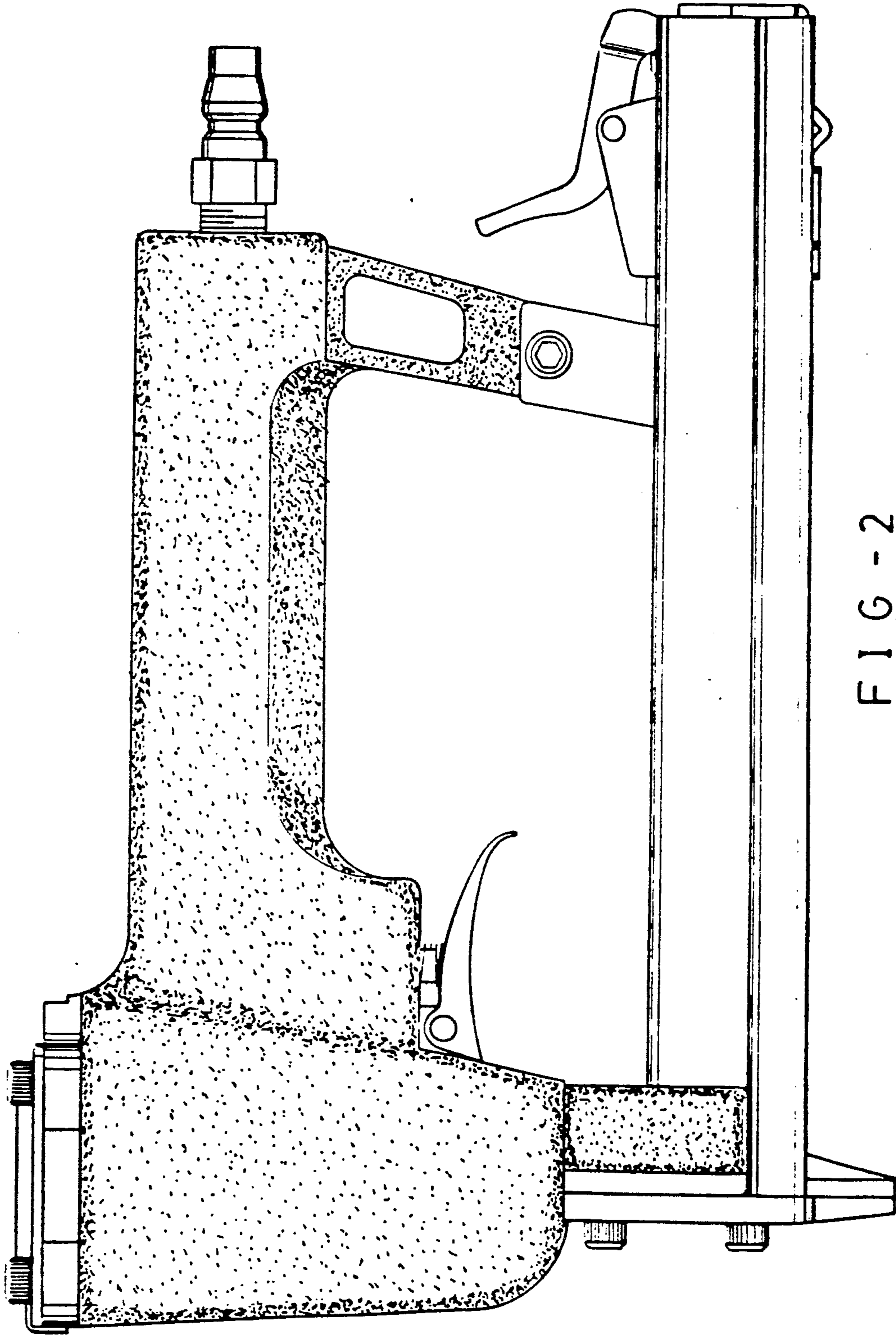
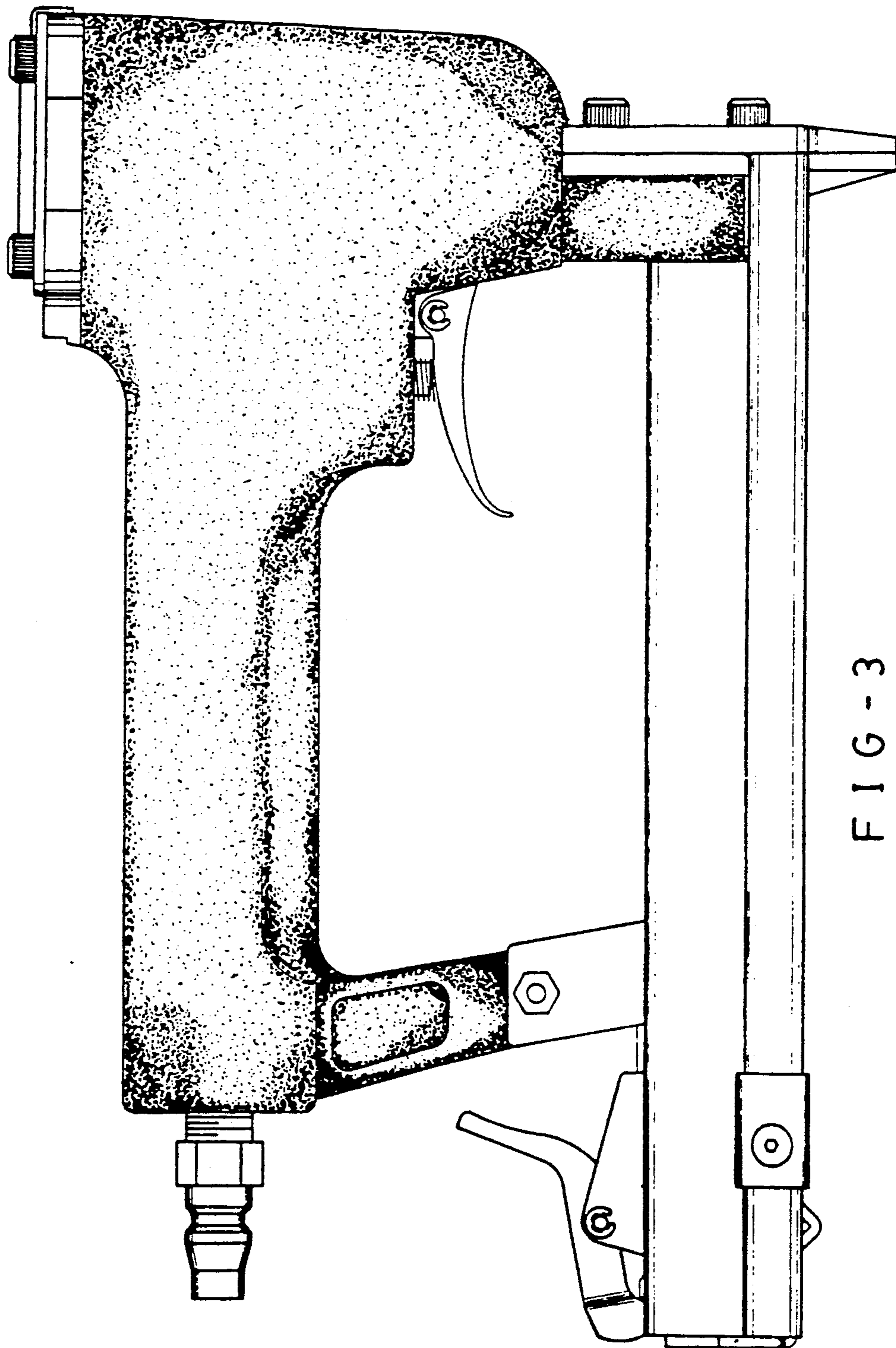


FIG - 2



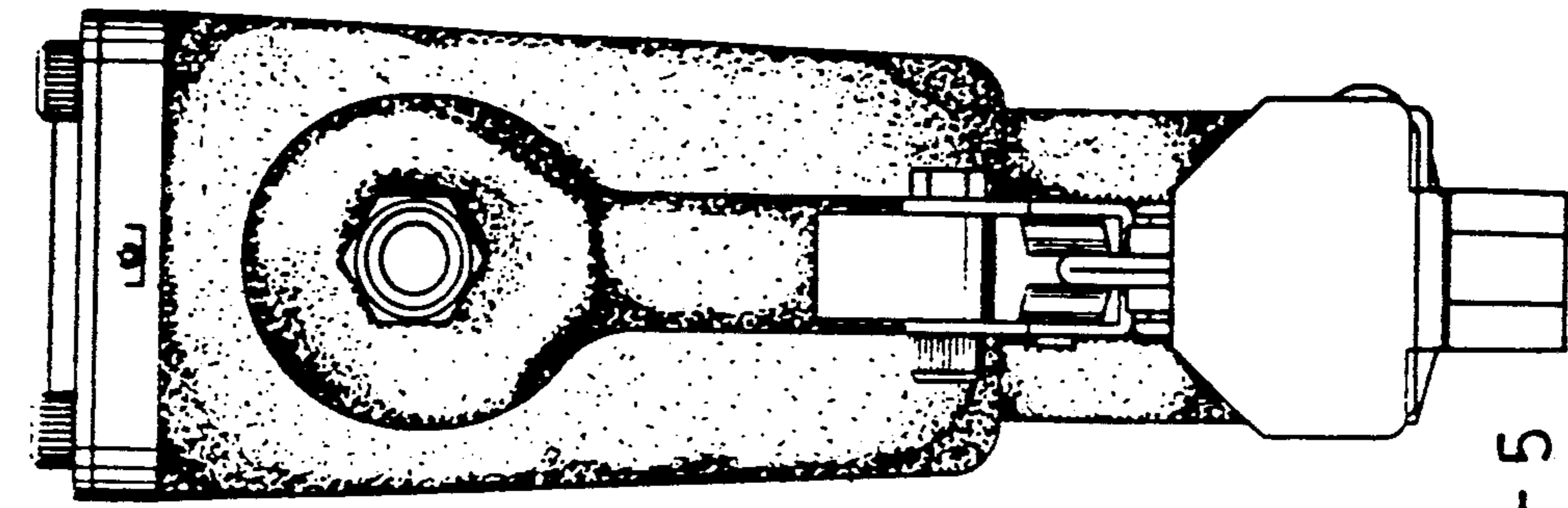


FIG-5

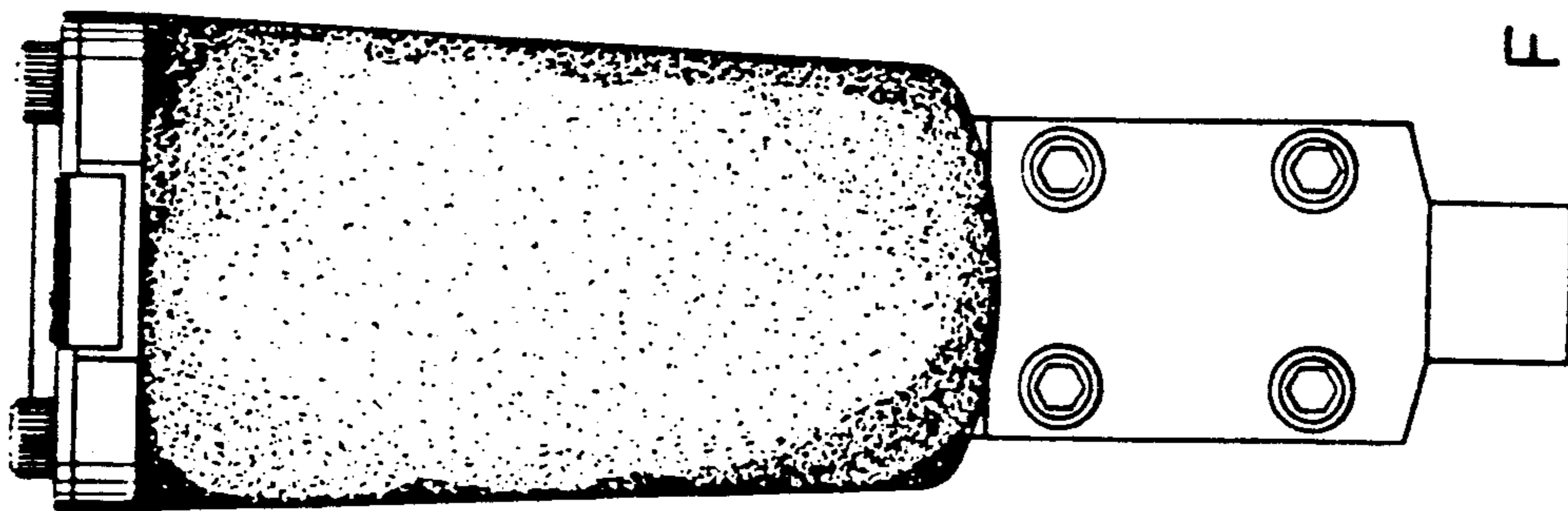


FIG-4

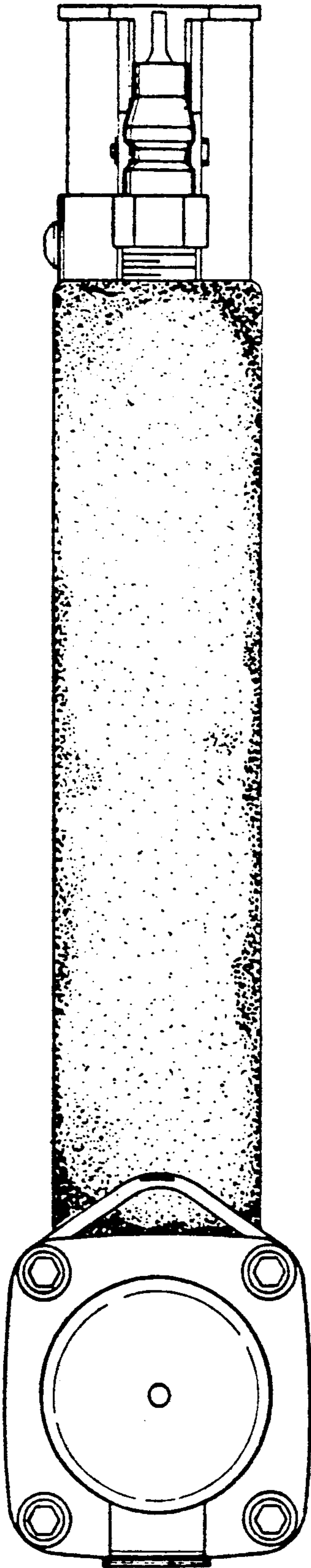


FIG - 6

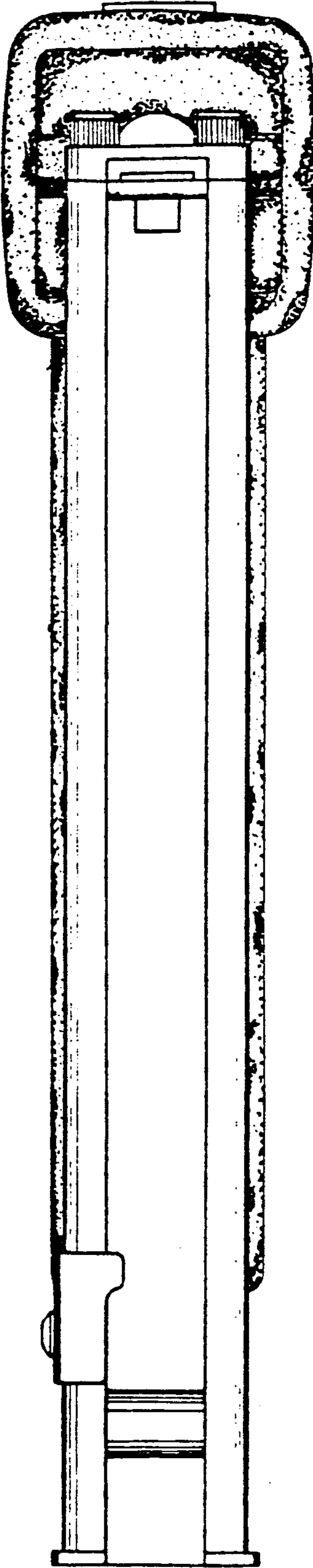


FIG - 7