

[54] LIMITED ACCESS RATCHET WRENCH

[76] Inventor: Francis V. Kanyuck, Sr., 2278 Wilson Rd., Wilmington, Ohio 45177

[**] Term: 14 Years

[21] Appl. No.: 121,994

[22] Filed: Nov. 18, 1987

[52] U.S. Cl. D8/25; D19/21; D19/22

[58] Field of Search D8/21-29, D8/107; 81/177.8, 177.7, 60-63.2

[56] References Cited

U.S. PATENT DOCUMENTS

Re. 28,037	6/1974	La Pointe	81/61
842,039	1/1907	Walt	81/62
2,897,705	8/1959	Rozmus	81/64
3,023,652	3/1962	Feldman	81/60
3,838,614	10/1974	O'Donnell	81/60
3,969,962	7/1976	Campbell	81/60
4,274,309	6/1981	Lenker	81/60
4,406,186	9/1983	Gummow	81/60
4,419,911	12/1983	Claudy	81/62

FOREIGN PATENT DOCUMENTS

1191282	10/1959	France	81/60
---------	---------	--------	-------

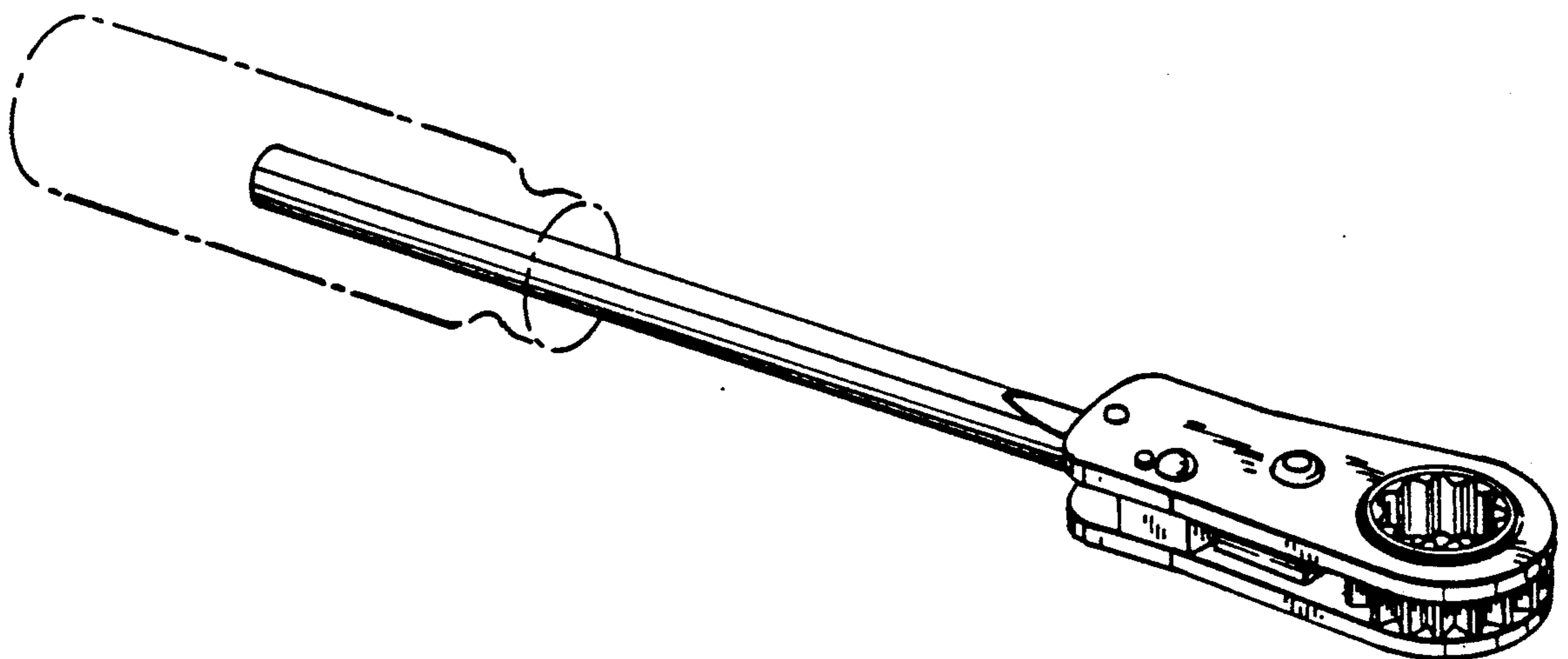
Primary Examiner—Bruce W. Dunkins
Assistant Examiner—Martha Thompson
Attorney, Agent, or Firm—Robert W. Becker & Associates

[57] CLAIM

The ornamental design for a limited access ratchet wrench, as shown and described.

DESCRIPTION

FIG. 1 is a top perspective view of the limited access ratchet wrench showing my new design, the handle being shown in broken lines for illustrative purposes only and forming no part of the claimed design; FIG. 2 is a bottom plan view thereof; FIG. 3 is a side elevational view thereof, the opposite side being a mirror image; FIG. 4 is a front elevational view thereof; FIG. 5 is a rear elevational view thereof; FIG. 6 is a bottom plan view thereof showing the shank in the angularly offset position; FIG. 7 is a top plan view of the limited access ratchet wrench showing a second embodiment of my new design; and FIG. 8 is a top plan view of limited access ratchet wrench showing a third embodiment of my new design. The shank is shown broken away in FIGS. 7 and 8 for ease of illustration only.



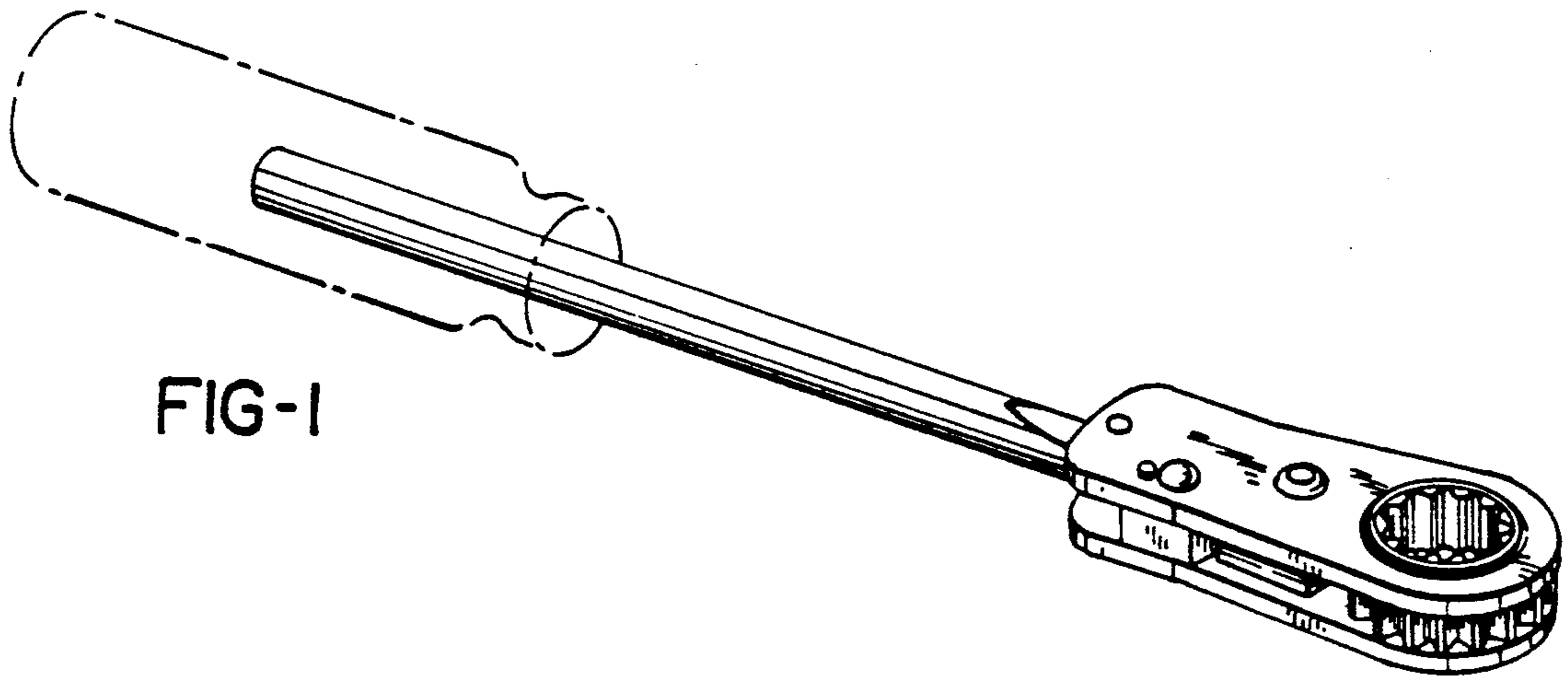


FIG-1

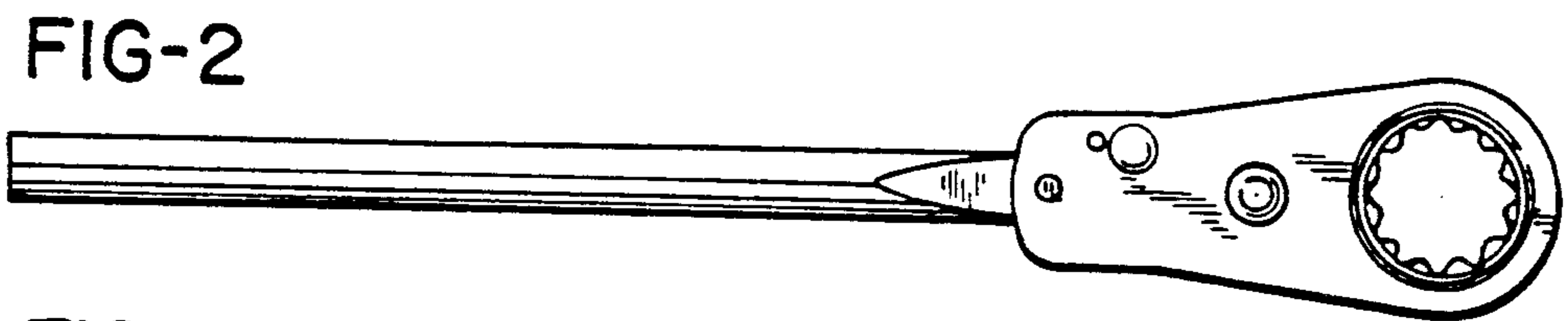


FIG-2

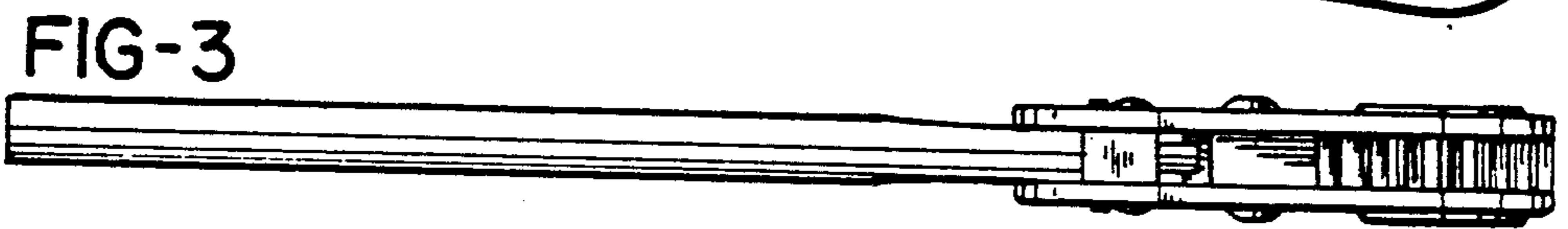


FIG-3



FIG-4

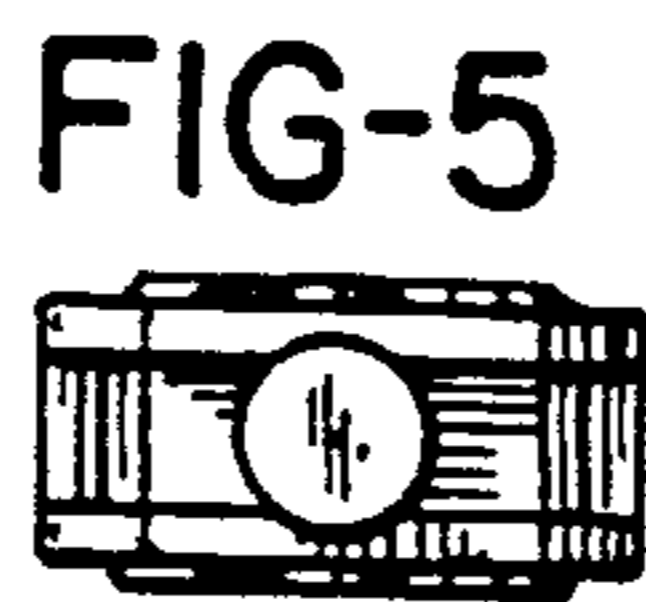


FIG-5

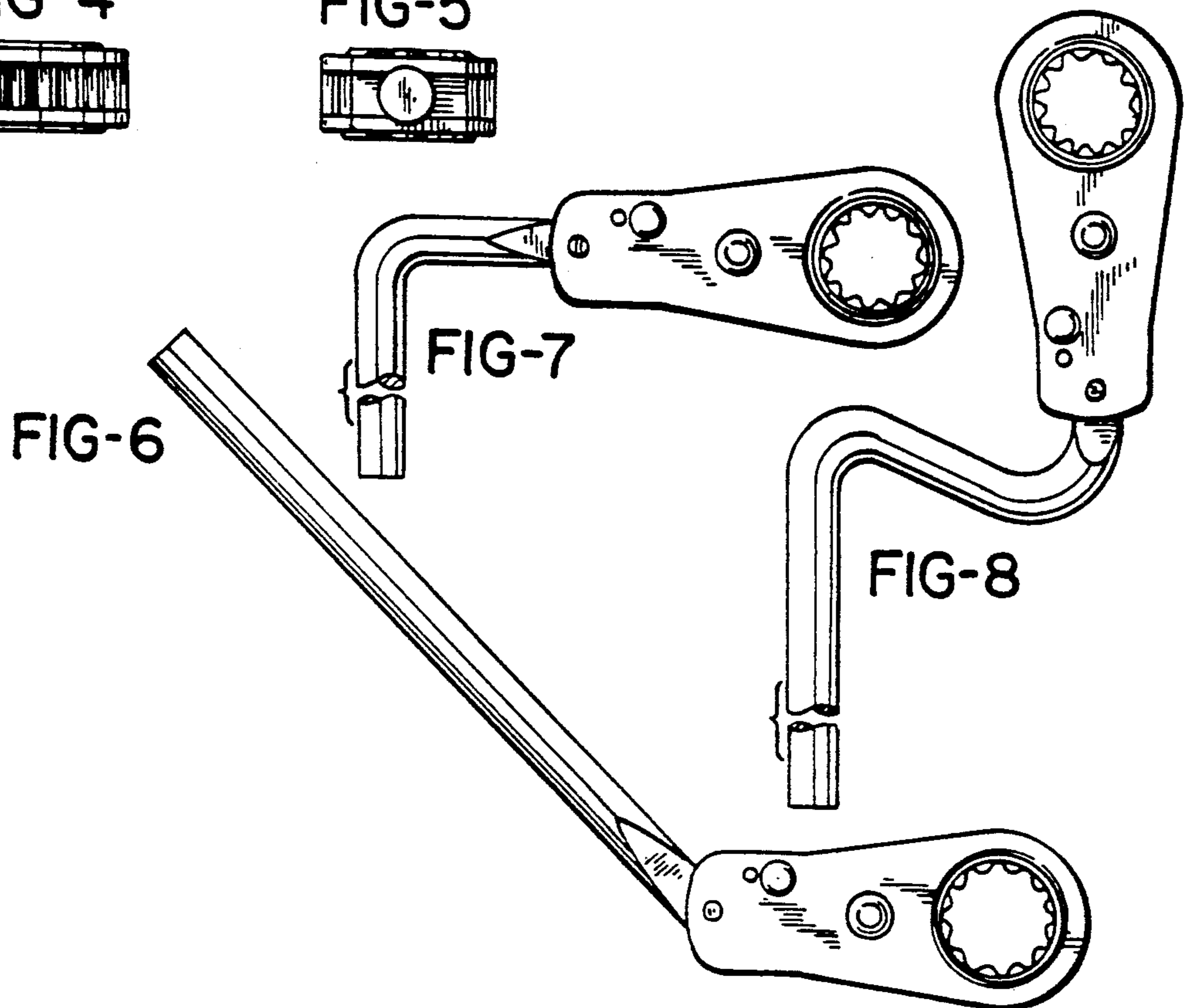


FIG-6

FIG-7

FIG-8