

United States Patent [19]

Pierce

[11] Patent Number: Des. 322,200

[45] Date of Patent: ** Dec. 10, 1991

[54] COMPACT DISC REMOVAL TOOL

[76] Inventor: James N. Pierce, 1875 W. Sunkist Rd., Tucson, Ariz. 85704

[**] Term: 14 Years

[21] Appl. No.: 399,595

[22] Filed: Aug. 24, 1989

[52] U.S. Cl. D8/14; D8/71

[58] Field of Search D8/14, 51, 71; 294/3, 294/16, 27.1, 29, 26, 137

[56] References Cited

U.S. PATENT DOCUMENTS

D. 305,719	1/1990	Babcock	D8/14
3,219,375	10/1962	Van Pelt	29/16
3,602,540	8/1971	Page	294/16
3,961,819	6/1976	Yocum	294/27
4,141,138	2/1979	Quick	29/740
4,200,323	4/1980	Cocksedge	294/29

4,368,912	1/1983	Holtz	294/87
4,417,757	11/1983	Morrison	294/26
4,452,480	6/1984	Maier et al.	294/3
4,543,680	10/1985	Vlahos	294/29
4,595,221	6/1986	de Geus et al.	294/16
4,662,667	5/1987	Gilligan et al.	294/27.1

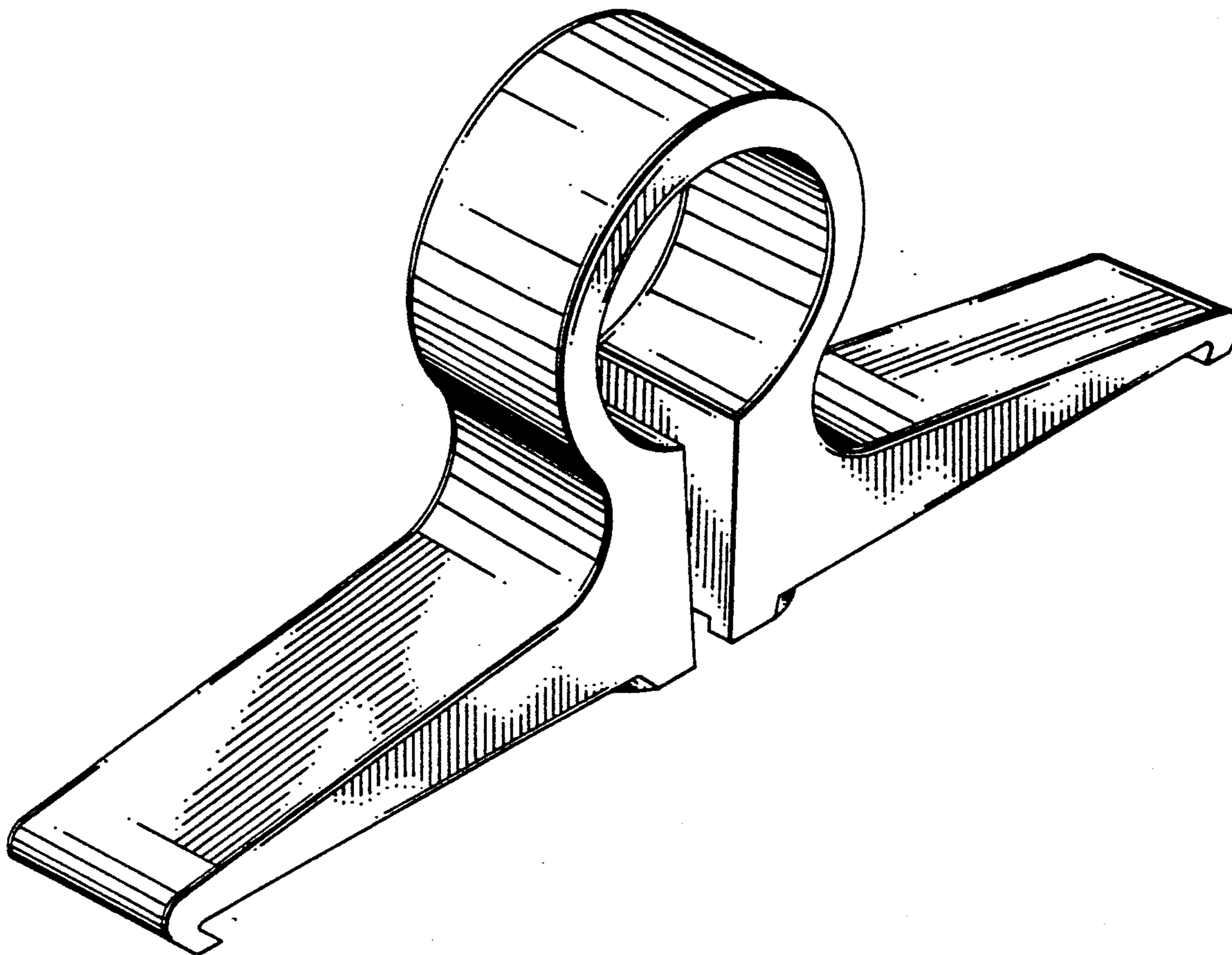
Primary Examiner—Bernard Ansher
Assistant Examiner—Philip Hyder
Attorney, Agent, or Firm—J. Michael McClanahan

[57] CLAIM

The ornamental design for a compact disc removal tool, as shown and described.

DESCRIPTION

FIG. 1 is a perspective view of a compact disc removal tool showing my new design; FIG. 2 is a front elevational view thereof; FIG. 3 is a side elevational view thereof; FIG. 4 is a top plan view thereof; and FIG. 5 is a bottom plan view thereof.



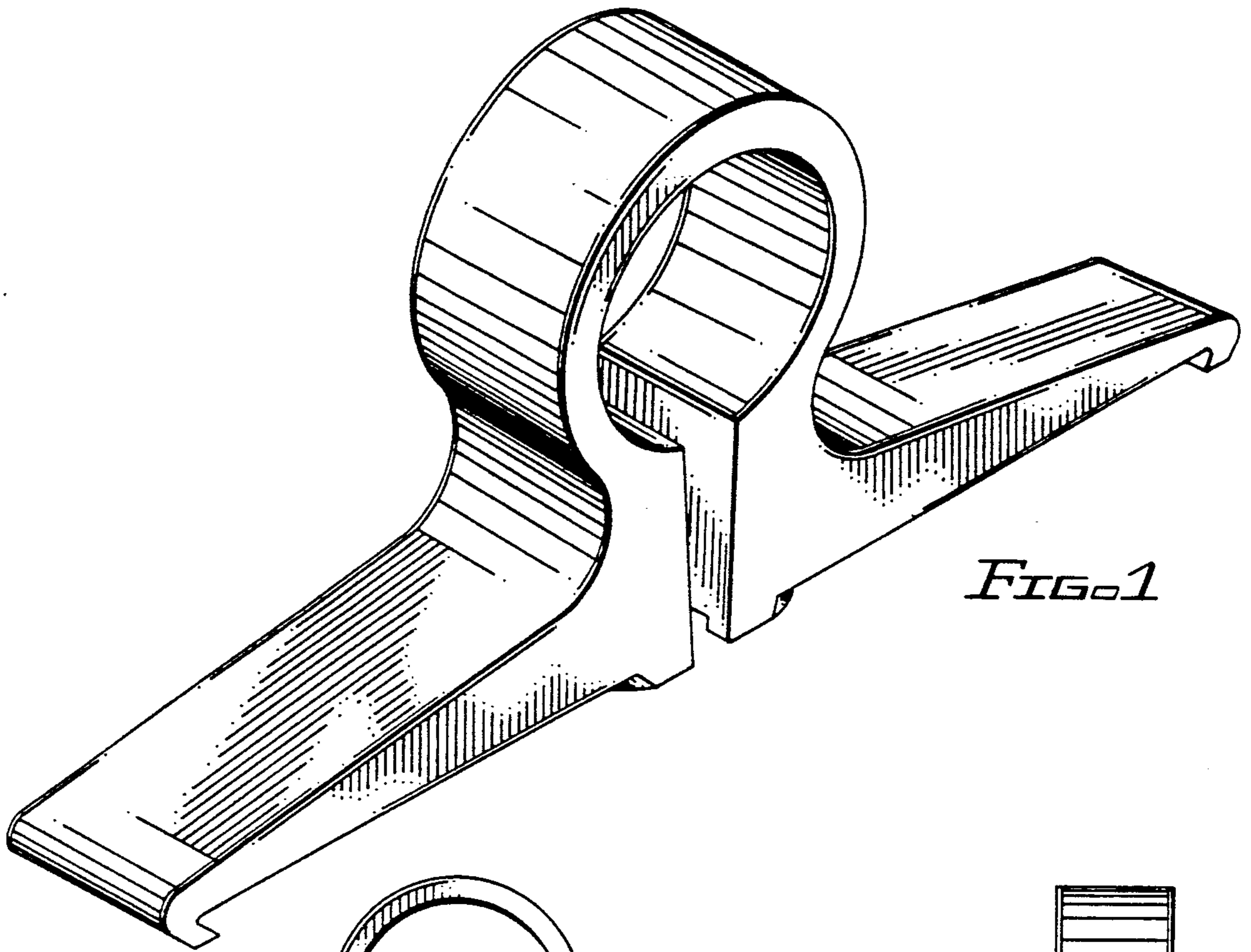


FIG. 1

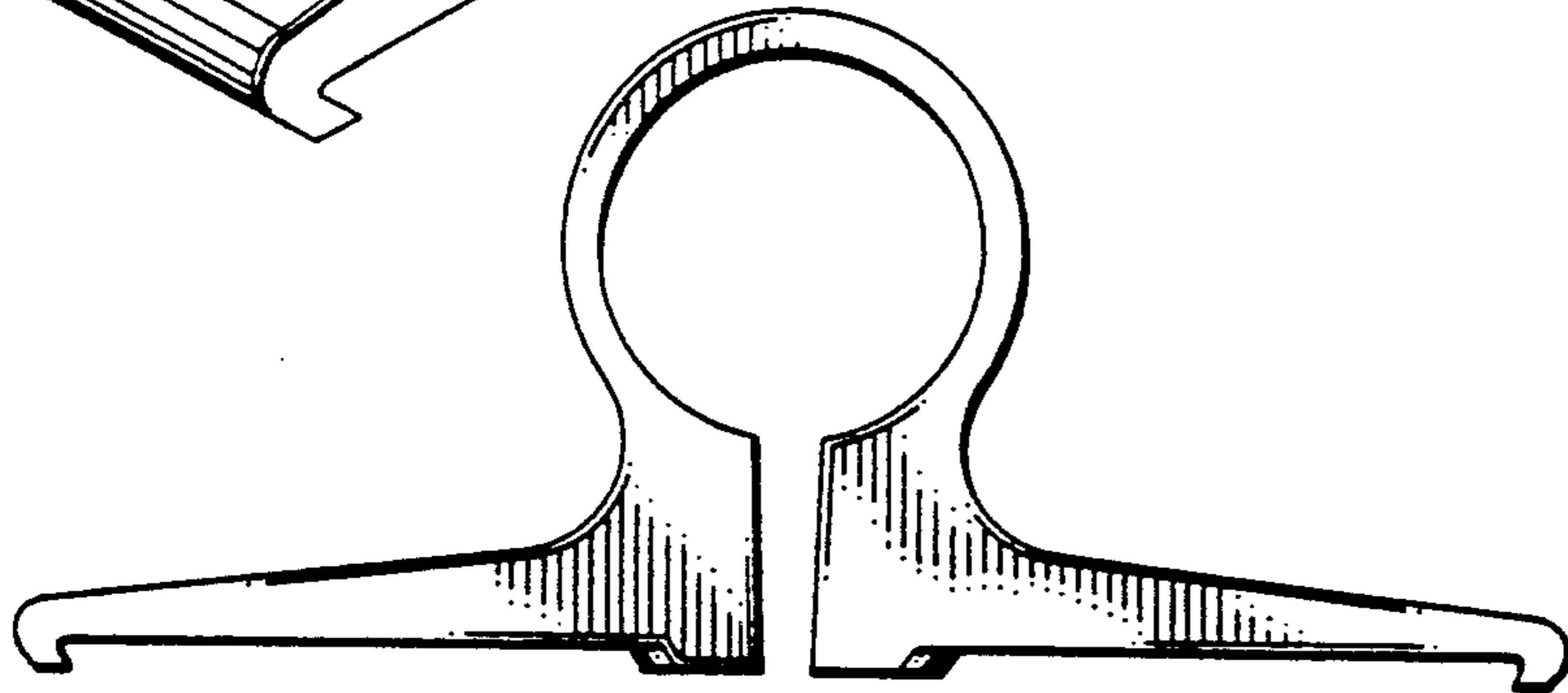


FIG. 2

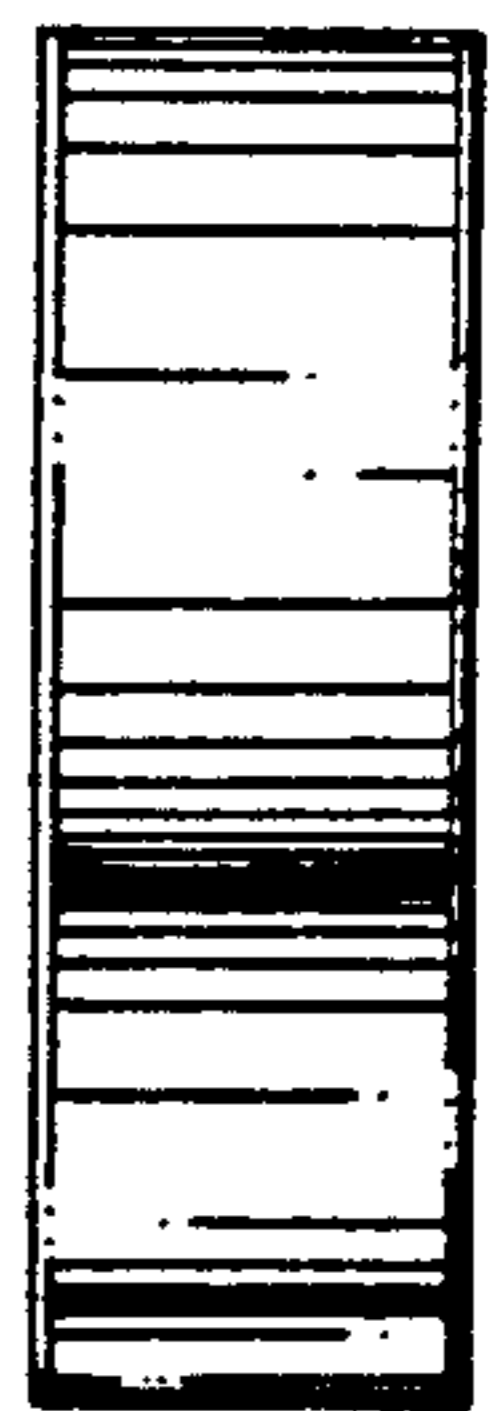


FIG. 3

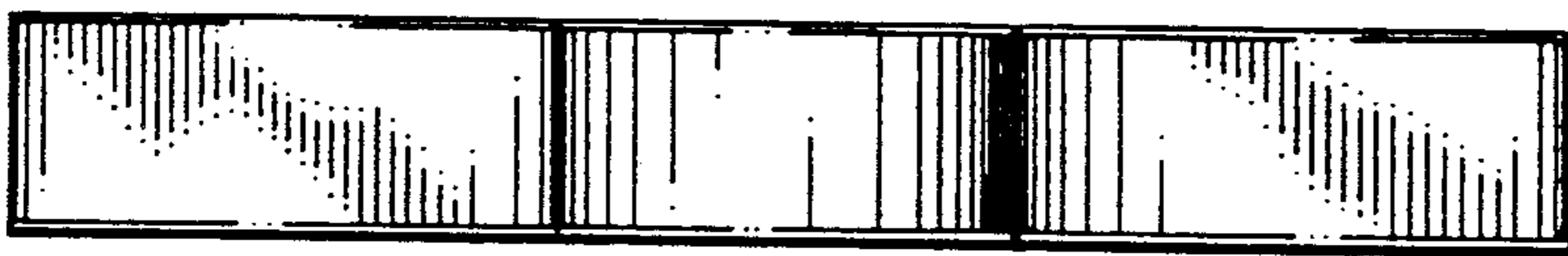


FIG. 4



FIG. 5