

[54] GLASS HOLDER

2,719,414 10/1955 Davis ..... 248/311.2 X

[75] Inventor: Edward J. Egan, Jr., Pasadena, Calif.

Primary Examiner—Terry A. Pfeffer  
Attorney, Agent, or Firm—Marvin E. Jacobs

[73] Assignee: West Coast Container, Huntington Park, Calif.

[57] CLAIM

[\*\*] Term: 14 Years

The ornamental design for the glass holder, as shown and described.

[21] Appl. No.: 405,021

DESCRIPTION

[22] Filed: Sep. 11, 1989

[52] U.S. Cl. .... D7/396.1

FIG. 1 is a perspective view of a glass holder showing my new design, the plate shown in broken lines for illustrative purposes only;

[58] Field of Search ..... D7/601, 619, 620, 396.1, D7/396.2; 220/85 H, 85 R, 23.83; 294/27.1; 248/311.2, 314, 315, 229, 231.8; 211/41

FIG. 2 is a front elevational view thereof;

FIG. 3 is a right side elevational view thereof, the opposite side being identical;

[56] References Cited

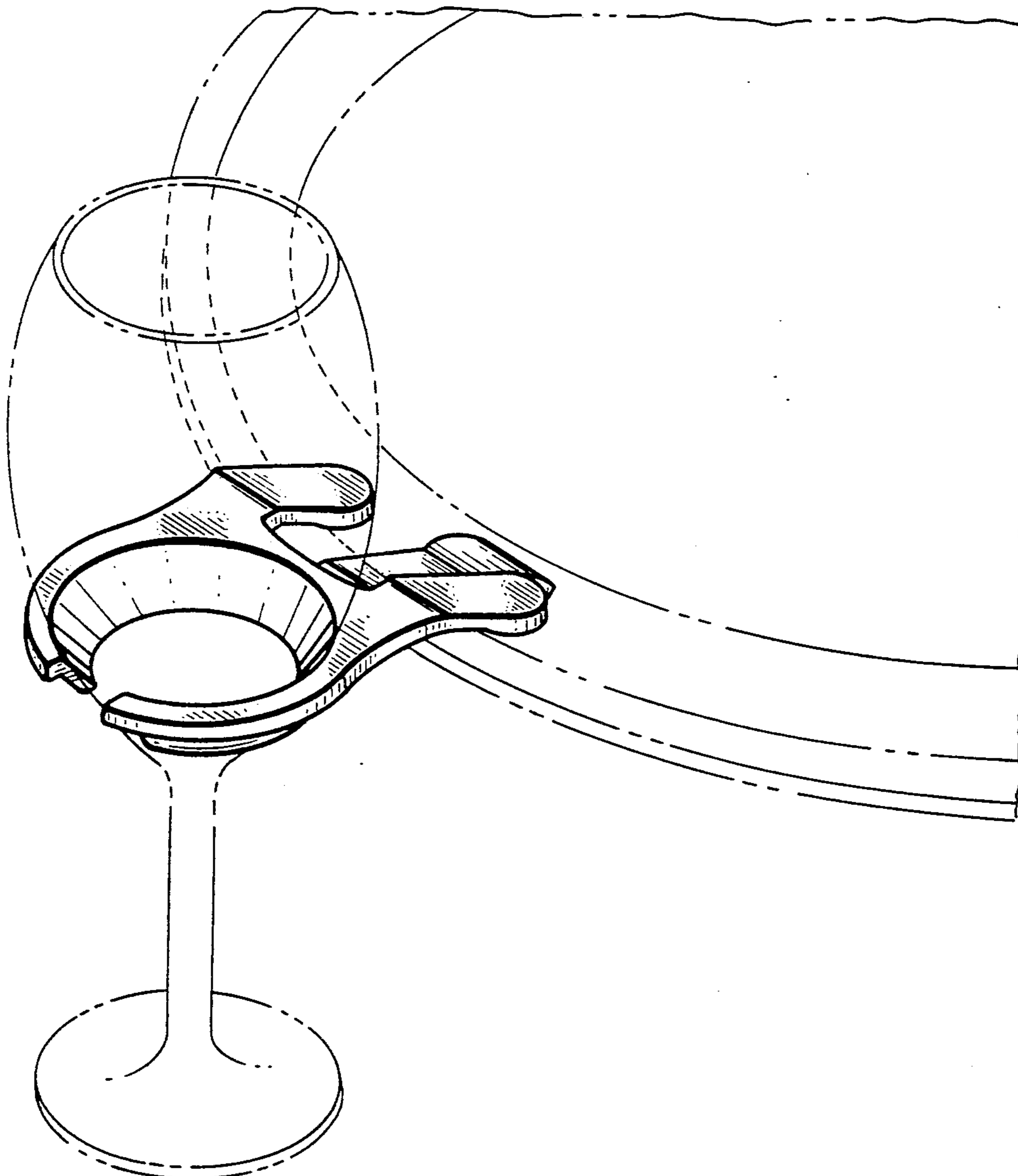
U.S. PATENT DOCUMENTS

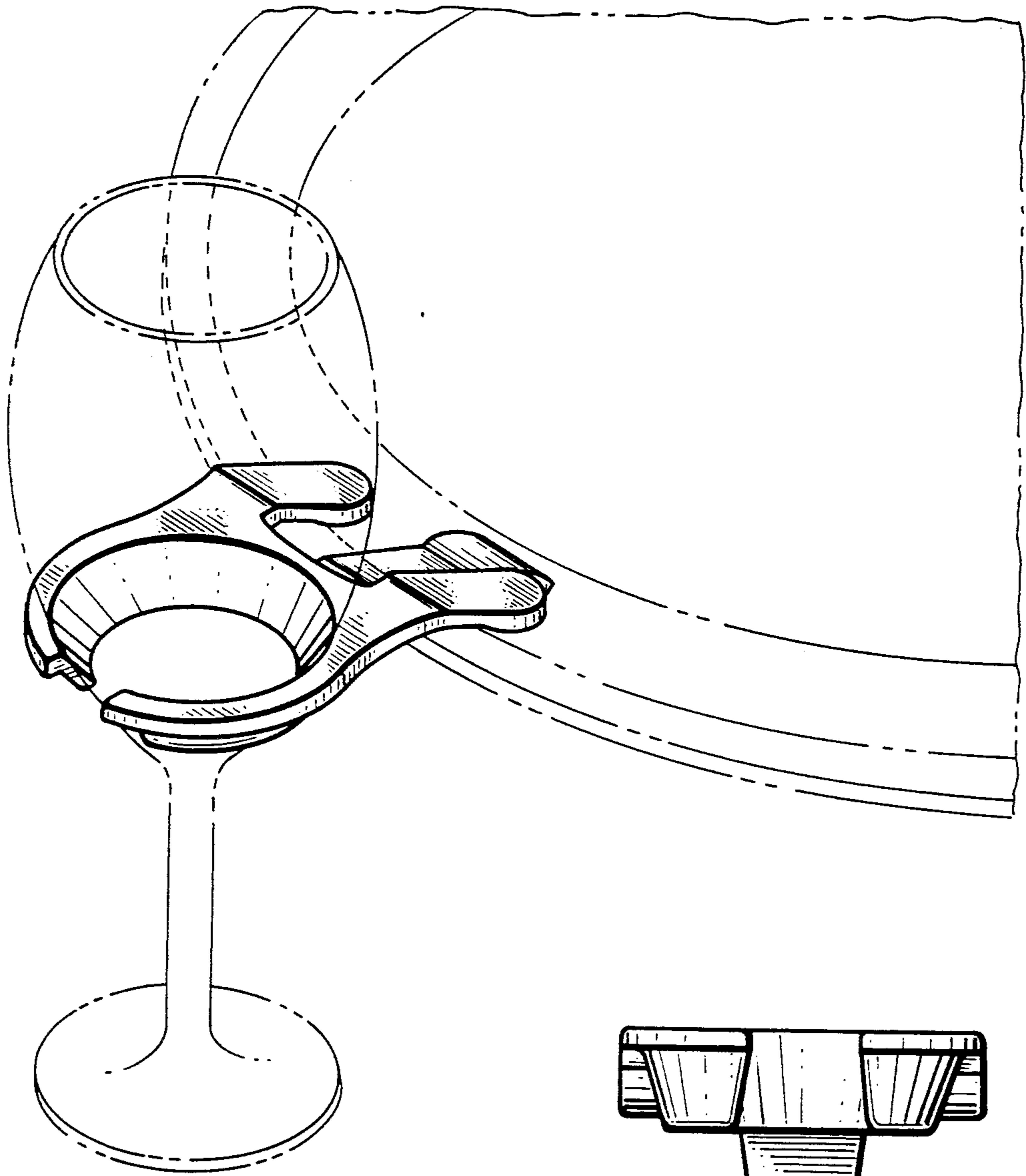
- D. 281,565 12/1985 Stourton et al. .... D7/396.1
- D. 304,785 11/1989 Klopp ..... D7/620

FIG. 4 is a rear elevational view thereof, the opposite side being identical;

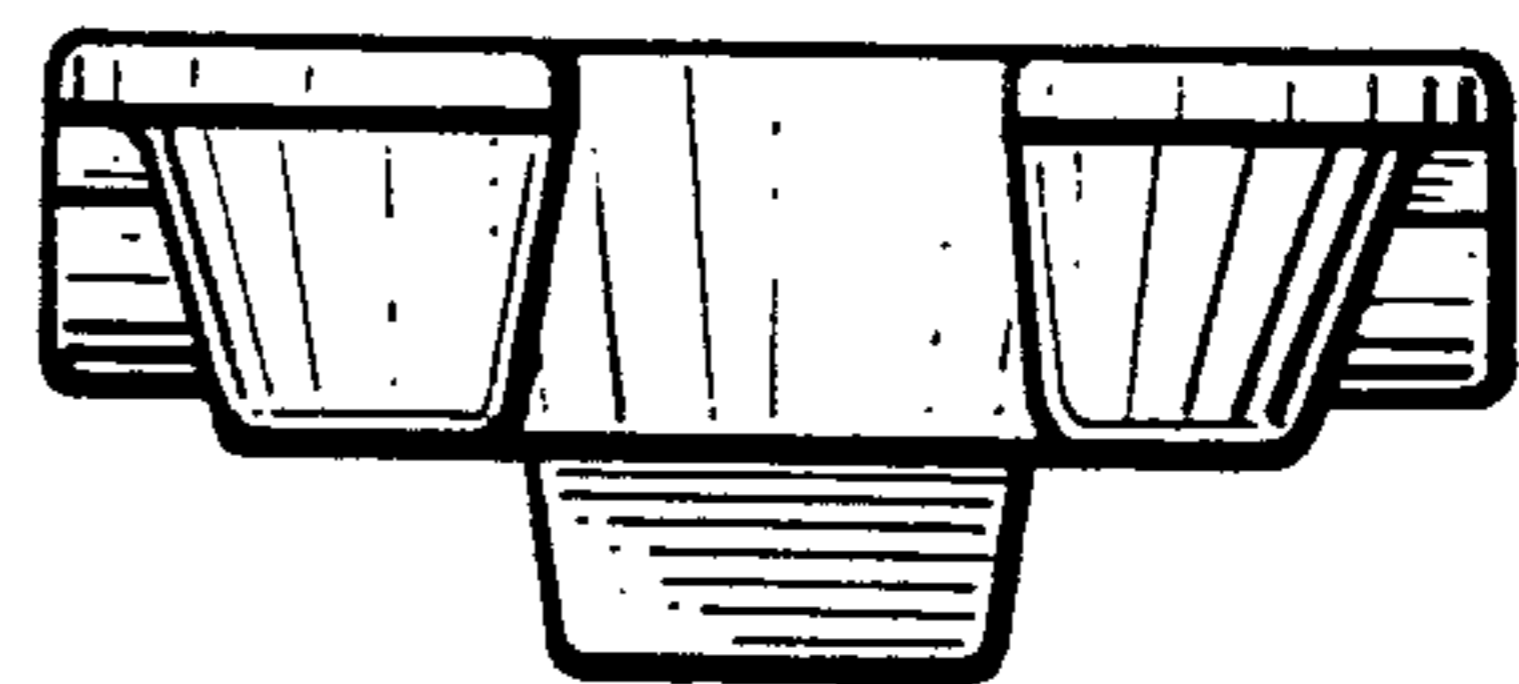
FIG. 5 is a top plan view thereof, and

FIG. 6 is a bottom plan view thereof.

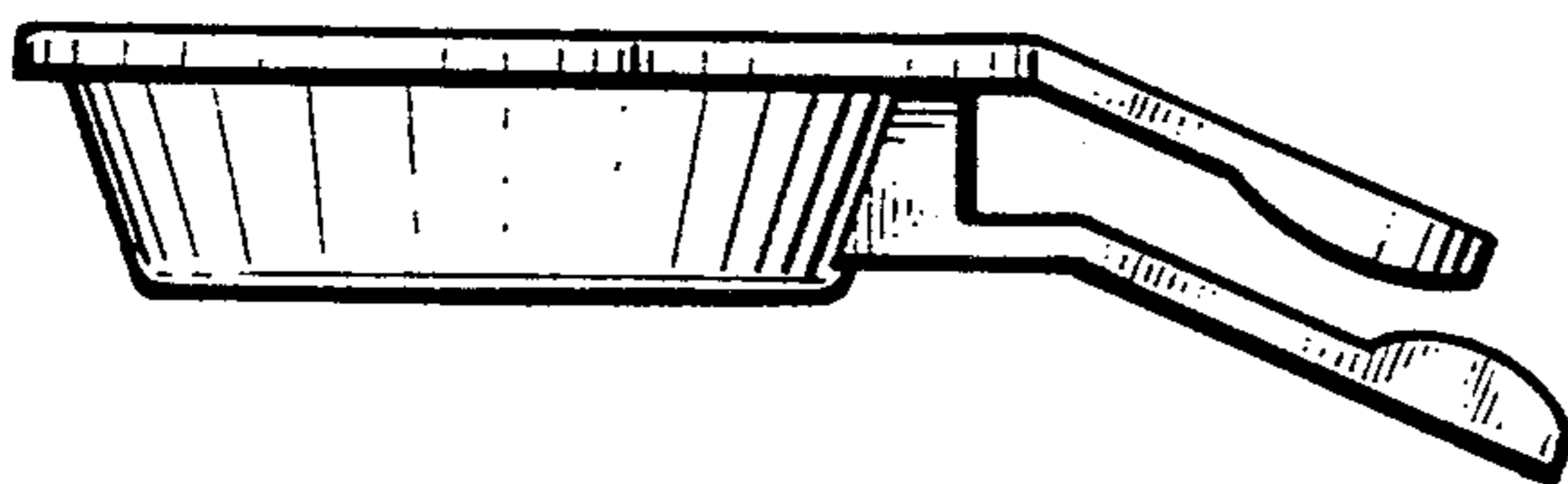




*Fig. 1.*



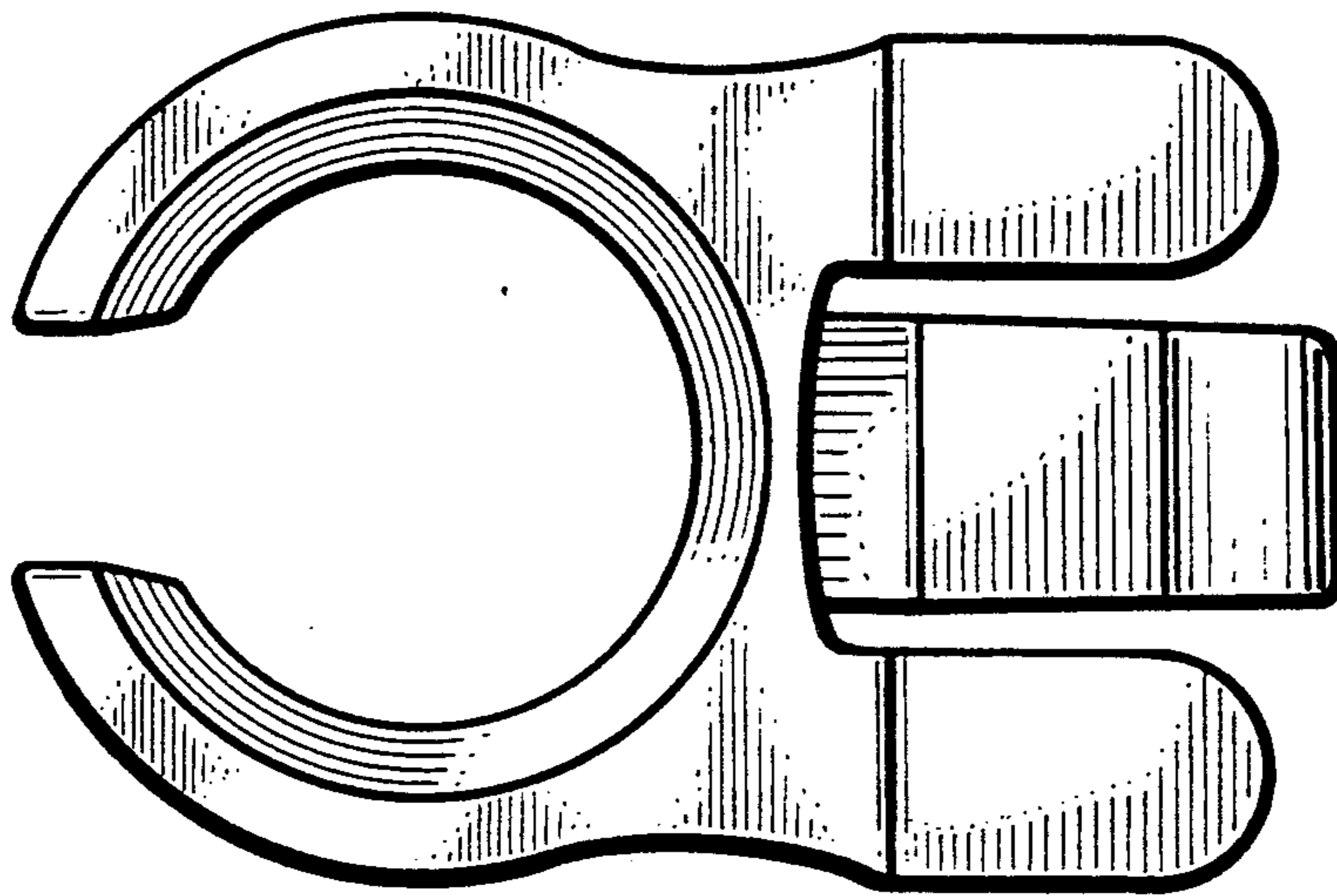
*Fig. 2.*



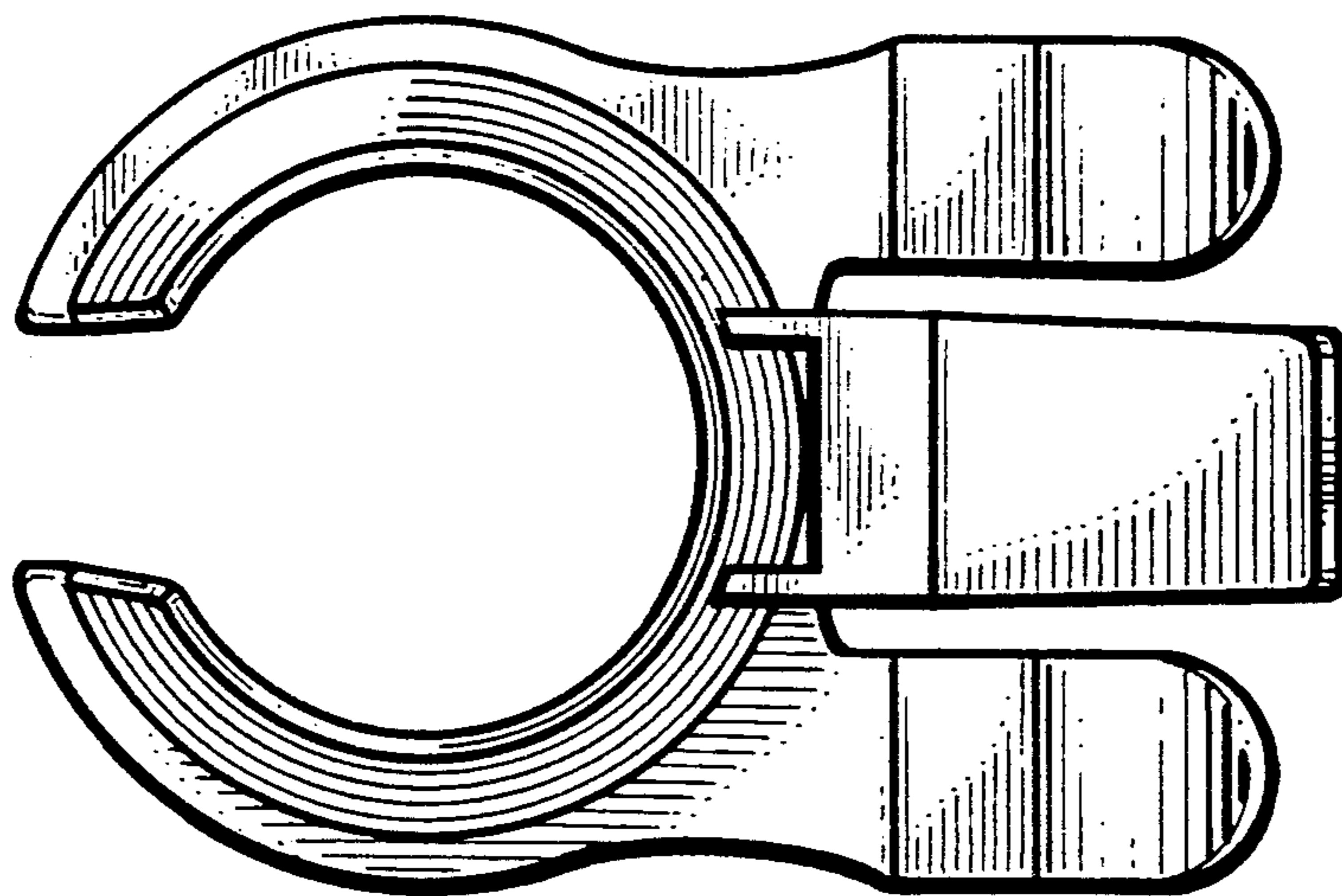
*Fig. 3.*



*Fig. 4.*



*Fig. 5.*



*Fig. 6.*