

- [54] **FOOD PROCESSOR**
- [75] **Inventor: Rudolf Maass, Solingen, Fed. Rep. of Germany**
- [73] **Assignee: Robert Krups Stiftung & Co. KG, Solingen, Fed. Rep. of Germany**
- [**] **Term: 14 Years**
- [21] **Appl. No.: 295,980**
- [22] **Filed: Jan. 11, 1989**
- [52] **U.S. Cl. D7/378; D7/384; D7/386; D7/412**
- [58] **Field of Search D7/381, 383, 384, 386, D7/368, 372, 373, 376-378, 412-415, 665**

[56] **References Cited**
U.S. PATENT DOCUMENTS

D. 186,094	9/1959	Gilson	D7/378
D. 204,117	3/1966	DiSesa	D7/378
D. 220,416	4/1971	Folden	D7/413
D. 296,860	7/1988	Maass	D7/384
D. 296,976	8/1988	Maass	D7/384
D. 297,901	10/1988	Barrault	D7/384
4,111,372	9/1978	Hicks et al.	D7/384 X

OTHER PUBLICATIONS

Hong Kong Enterprise, Jun. 1983, p. 249, Multi-Func-

tional Food Processor by Ngai Kwong Ind. Co. Ltd., Blender/Processor.
Schoner Wohnen, Jan. 1984, p. 82, Philips Food Processor Shown at left/picture symbols on housing.
HFD—Retailing Home Furnishings, May 14, 1979, Section One, p. 38, Toshiba Electronic Food Processor/top right.
Merchandising, Apr., 1984, p. 27, Sanyo—Food Processor Model SKM-1550.

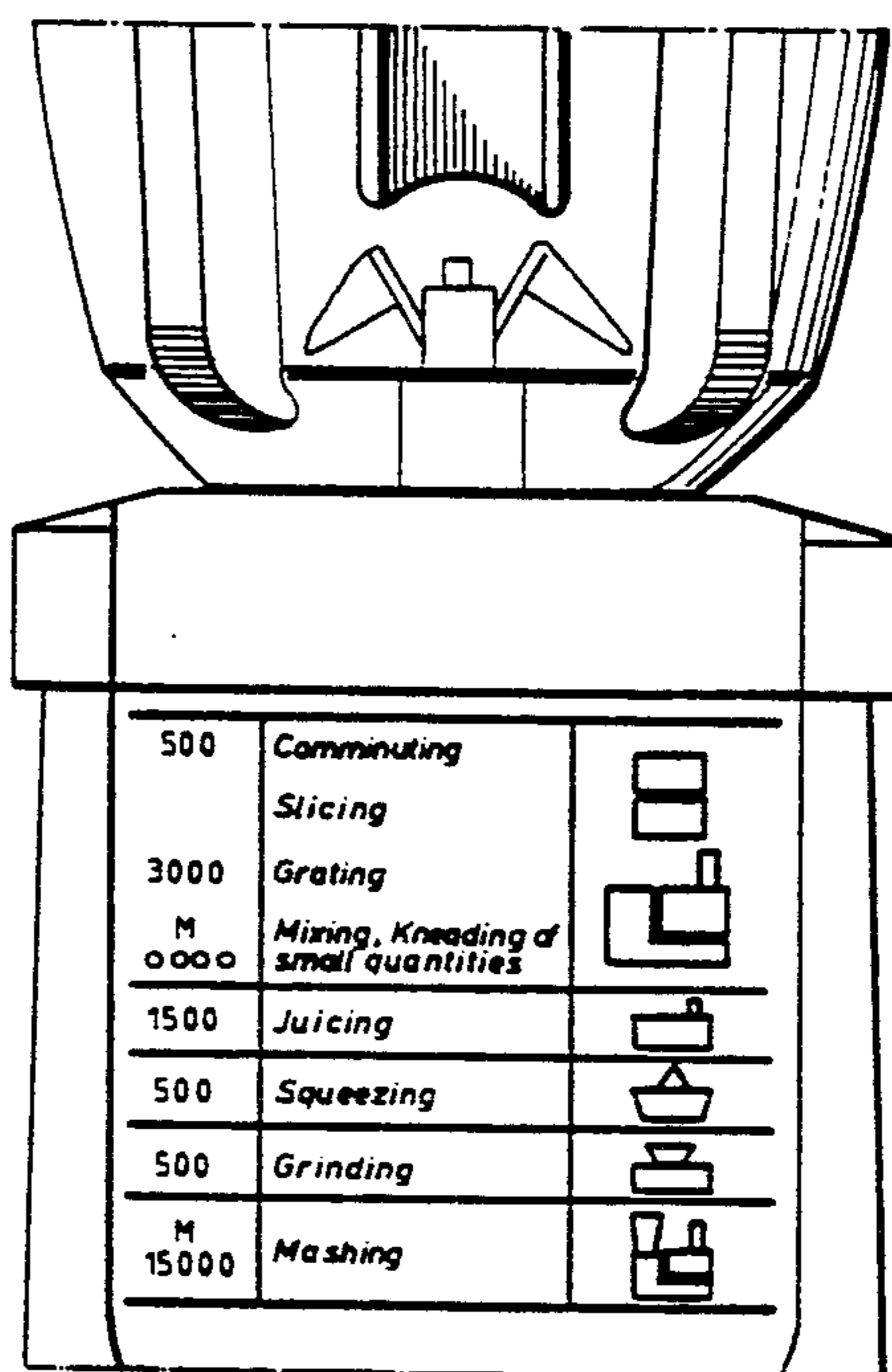
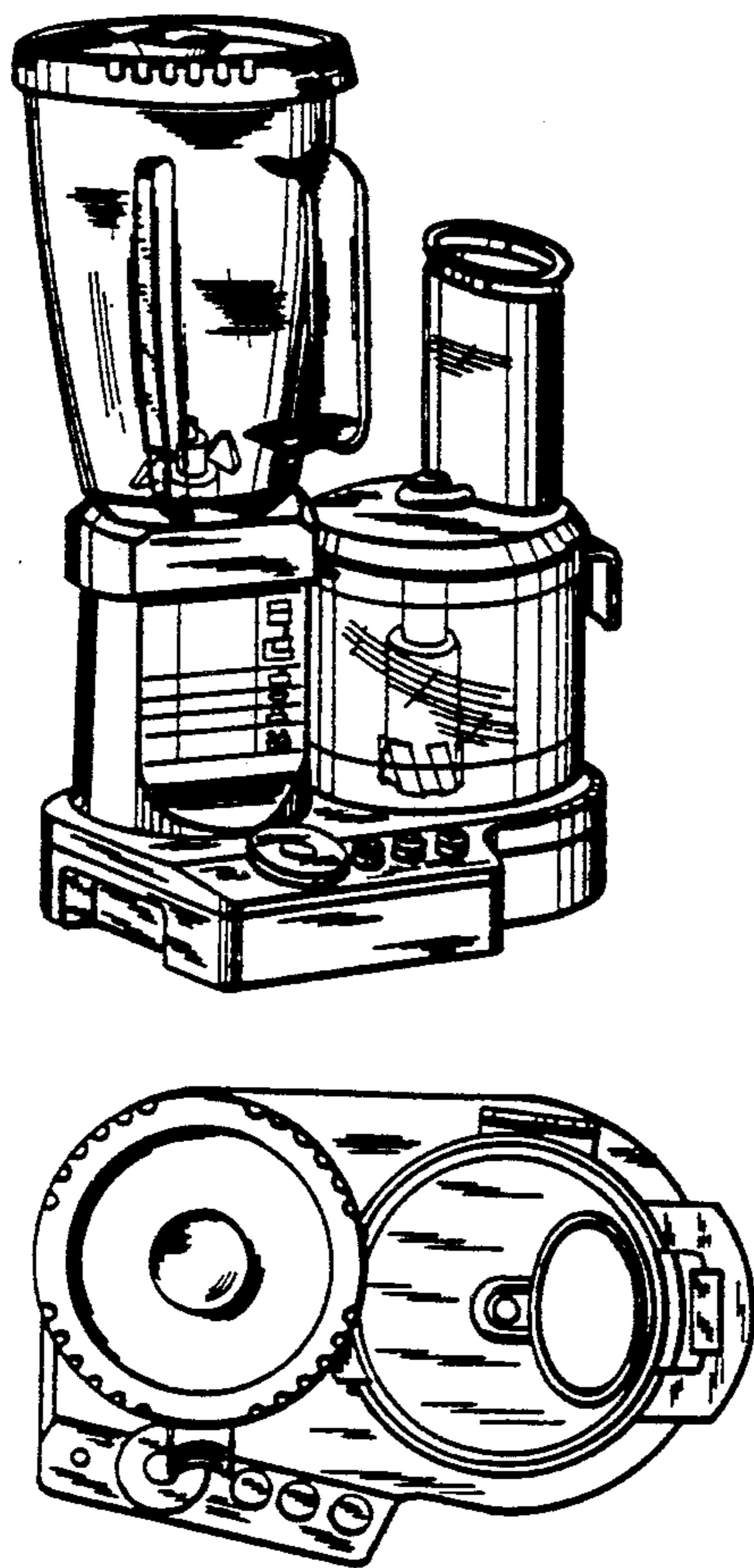
Primary Examiner—Winifred E. Herrmann
Attorney, Agent, or Firm—Peter K. Kontler

[57] **CLAIM**

The ornamental design for a food processor, as shown and described.

DESCRIPTION

FIG. 1 is a front perspective view of a food processor embodying my new design;
FIG. 2 is a front elevational view thereof;
FIG. 3 is a top plan view thereof;
FIG. 4 is a bottom plan view thereof;
FIG. 5 is a rear elevational view thereof;
FIG. 6 is a right-hand side elevational view thereof;
FIG. 7 is a left-hand side elevational view thereof; and
FIG. 8 is an enlarged fragmentary elevational view of the left front side of the blender jar and housing in FIG. 2.



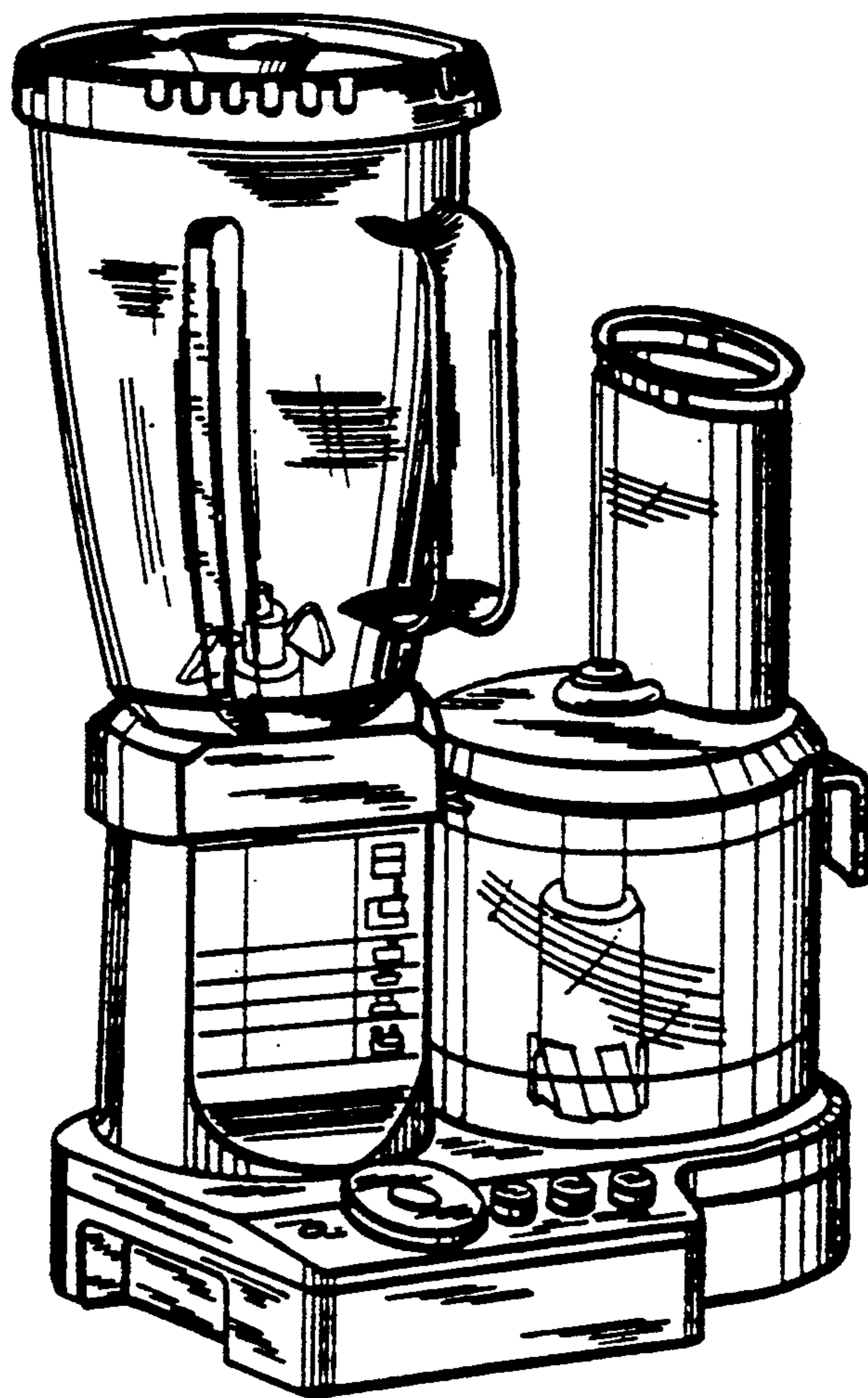


FIG.1

FIG. 2

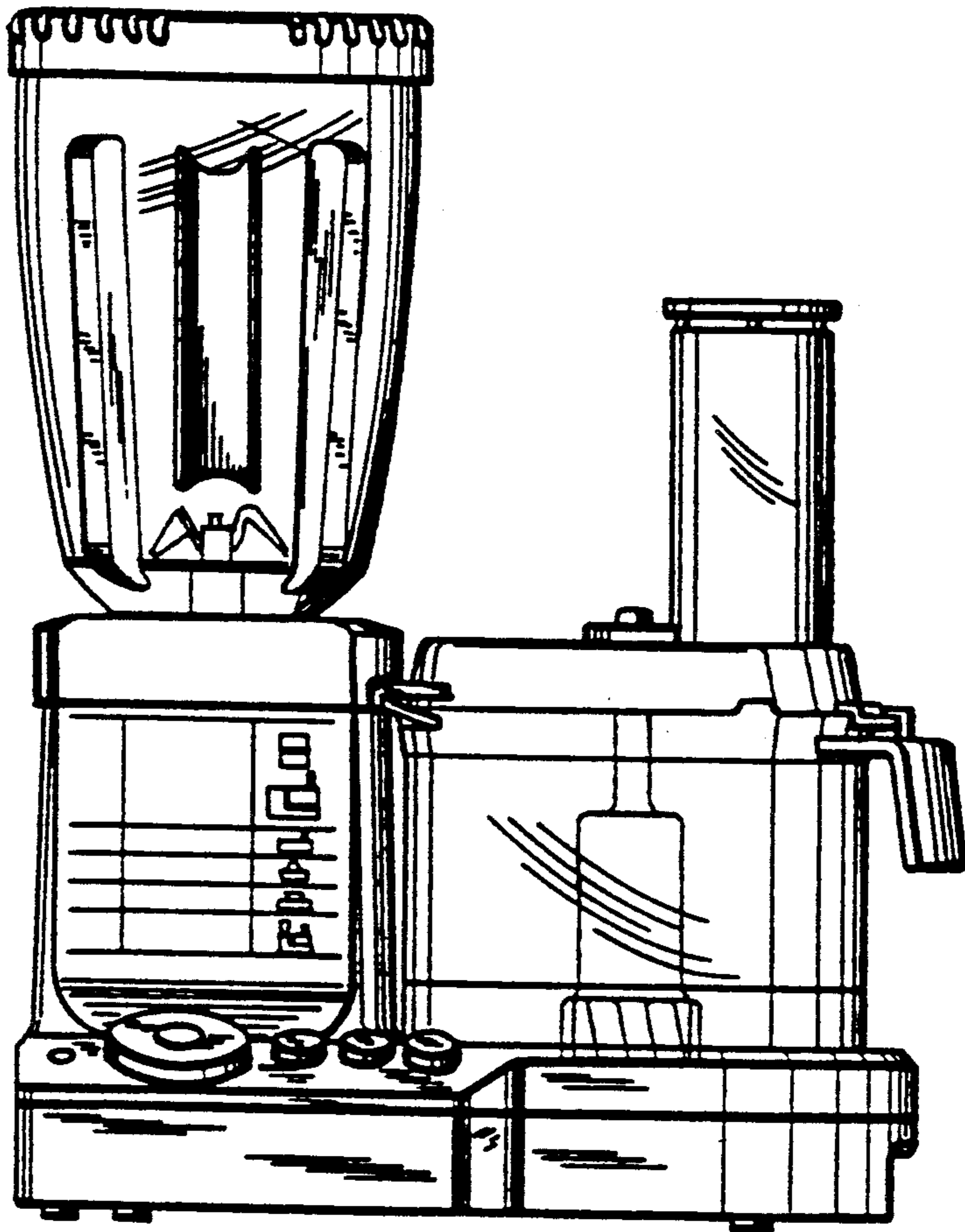
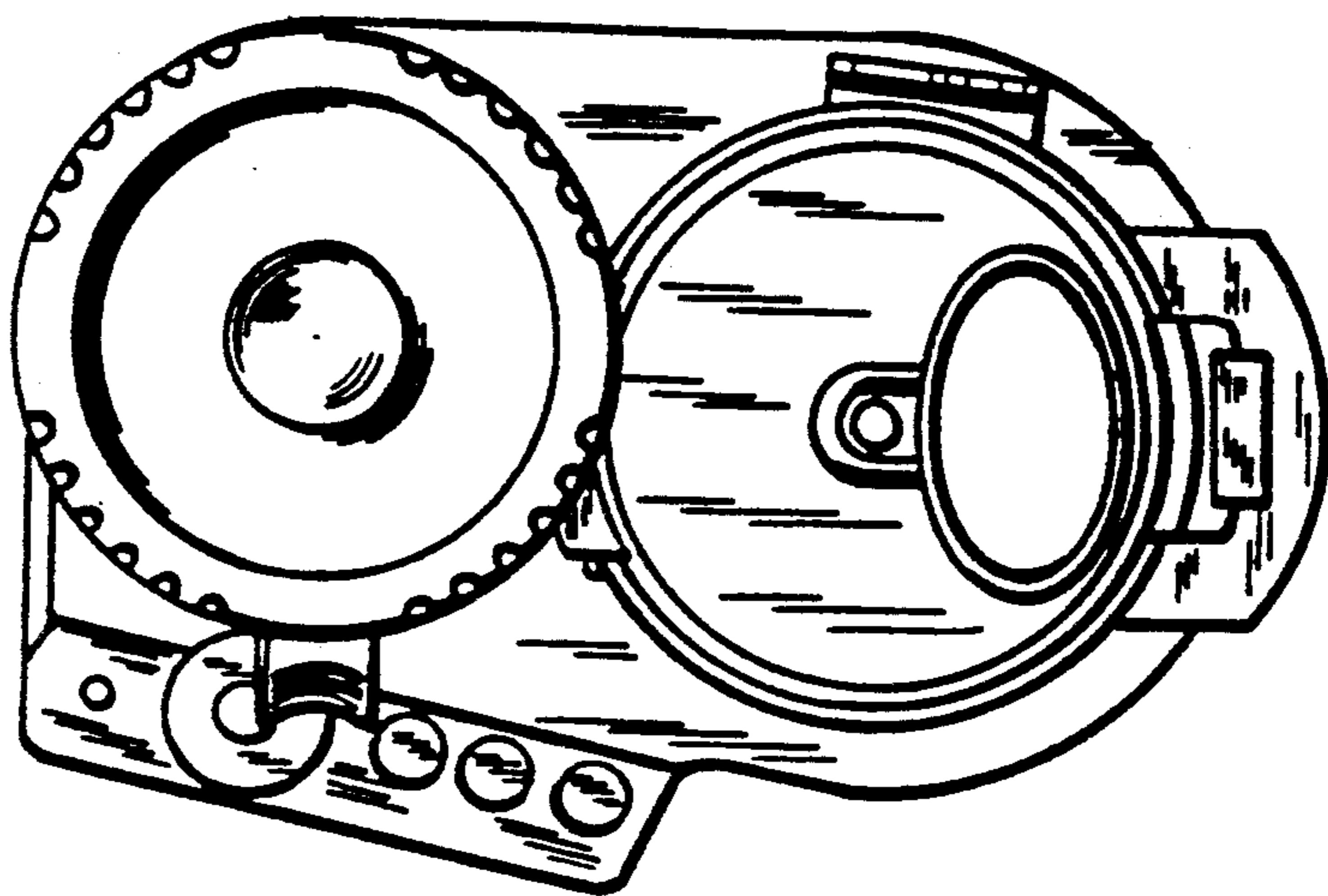


FIG. 3



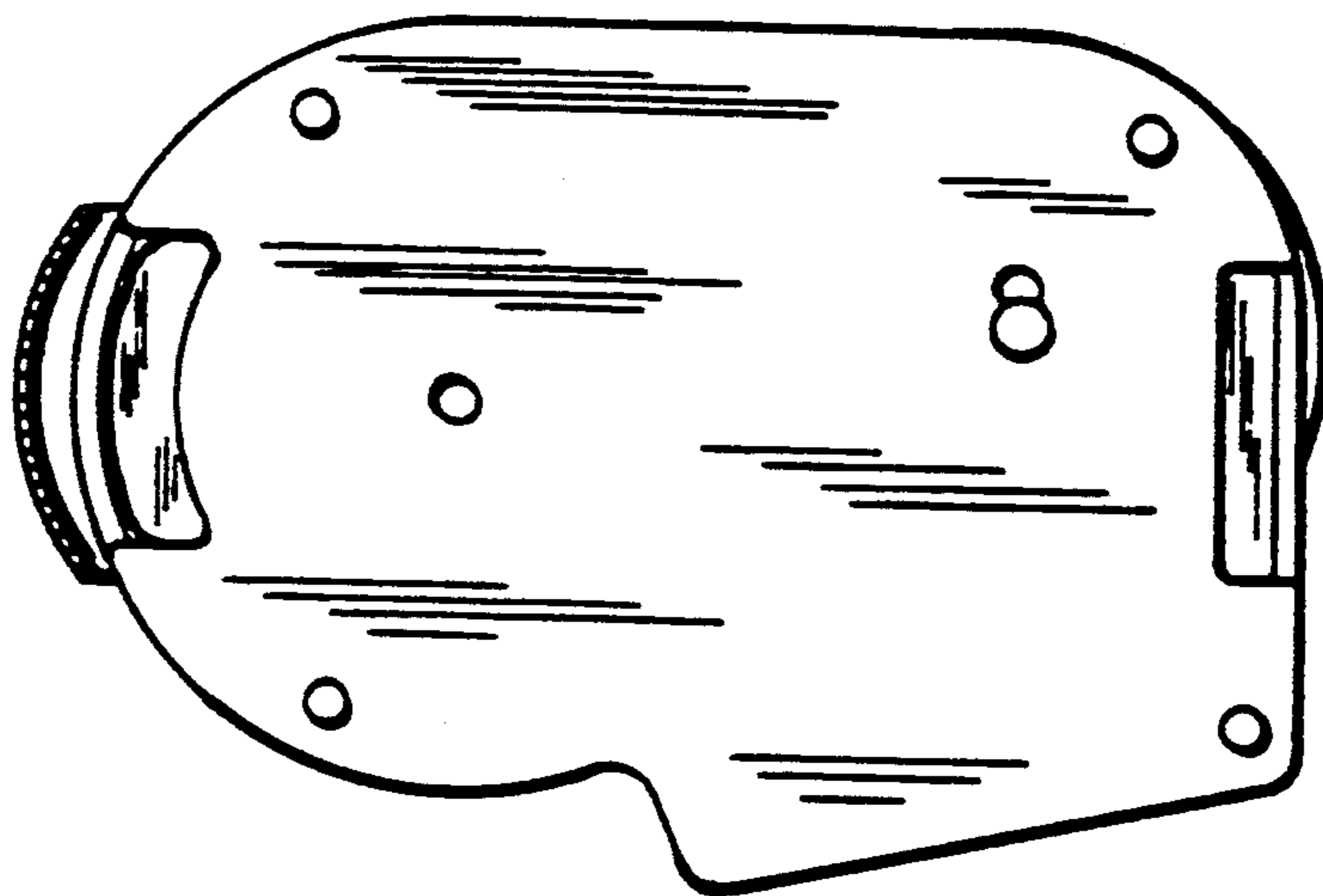


FIG. 4

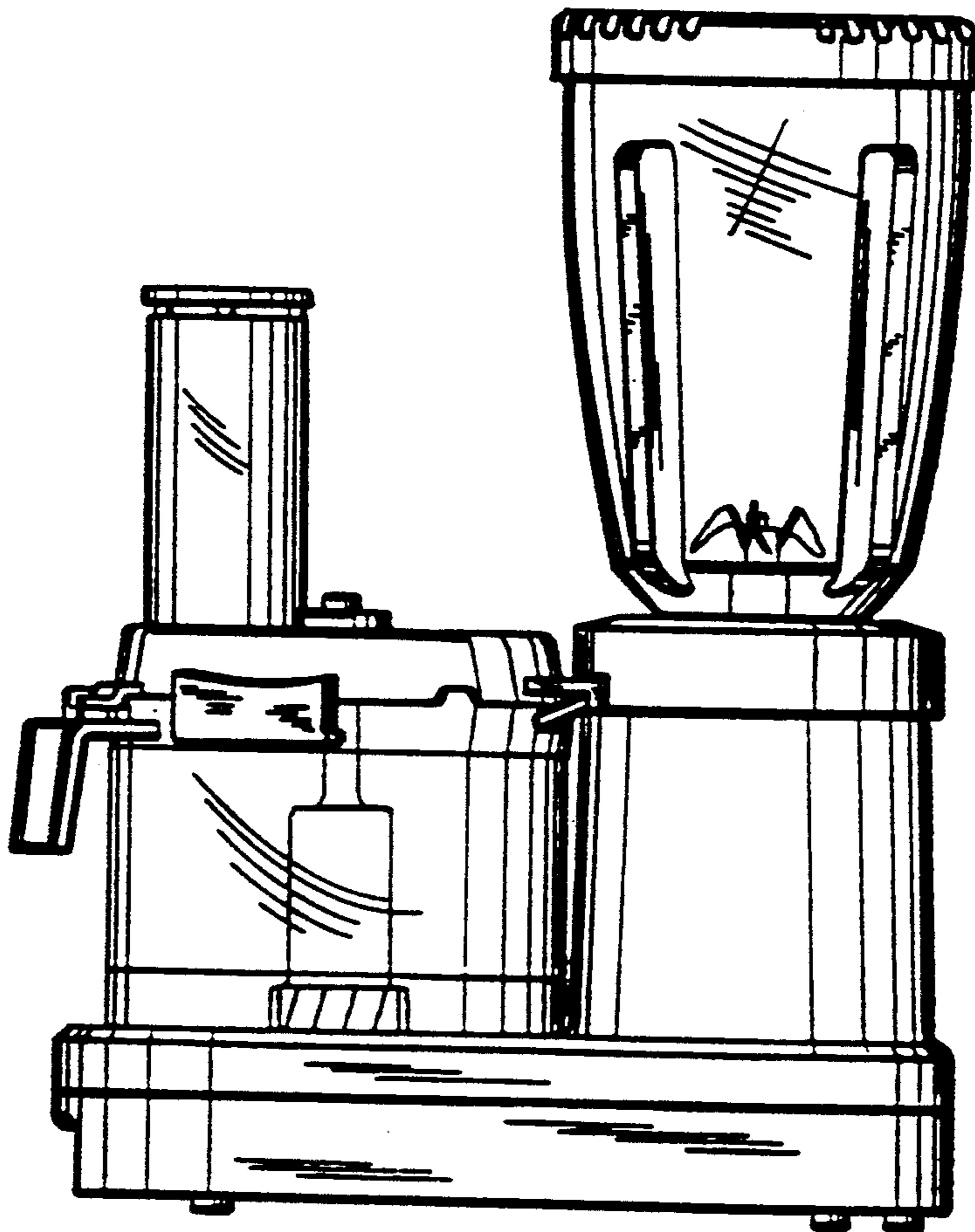


FIG. 5

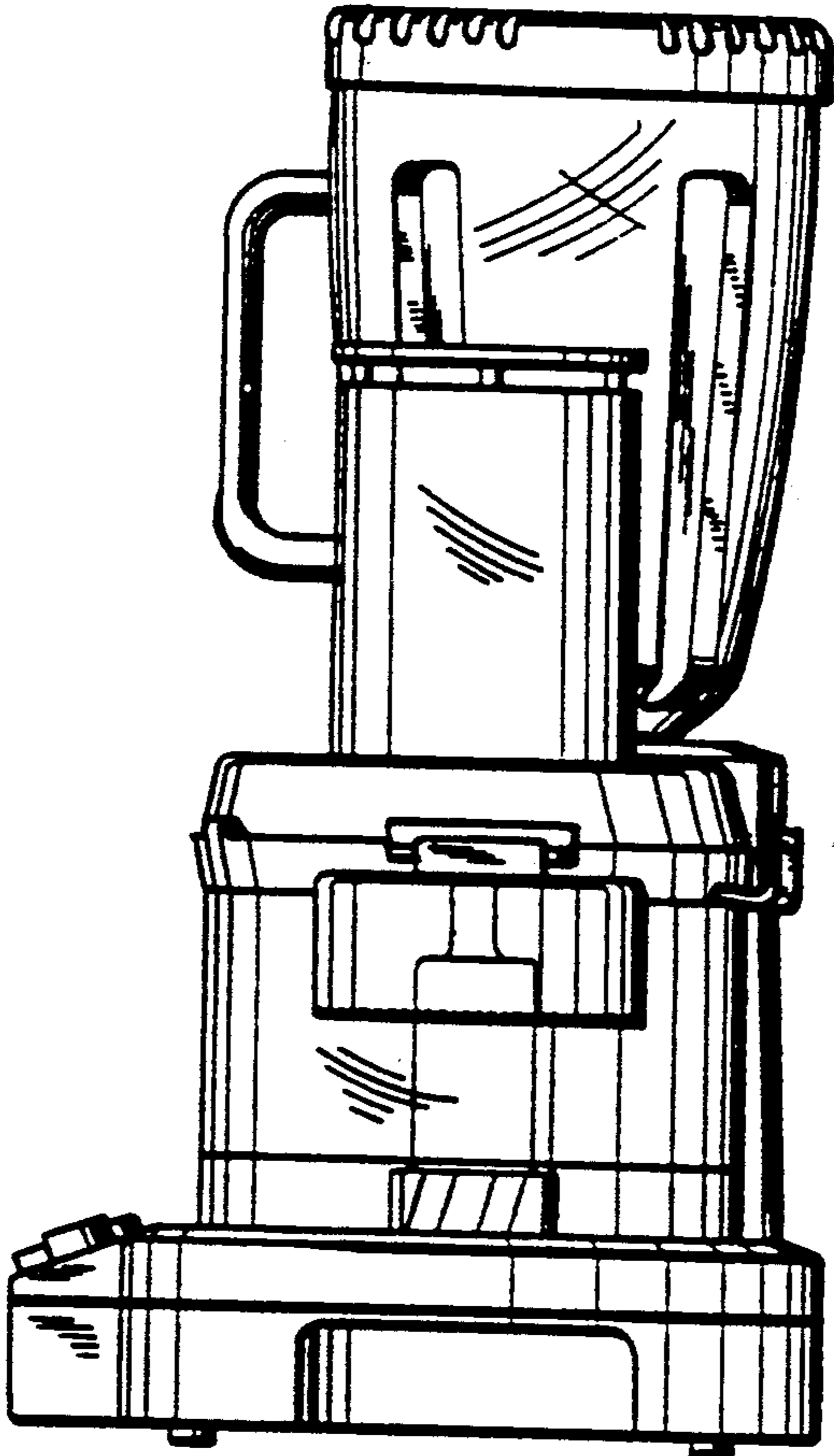


FIG. 6

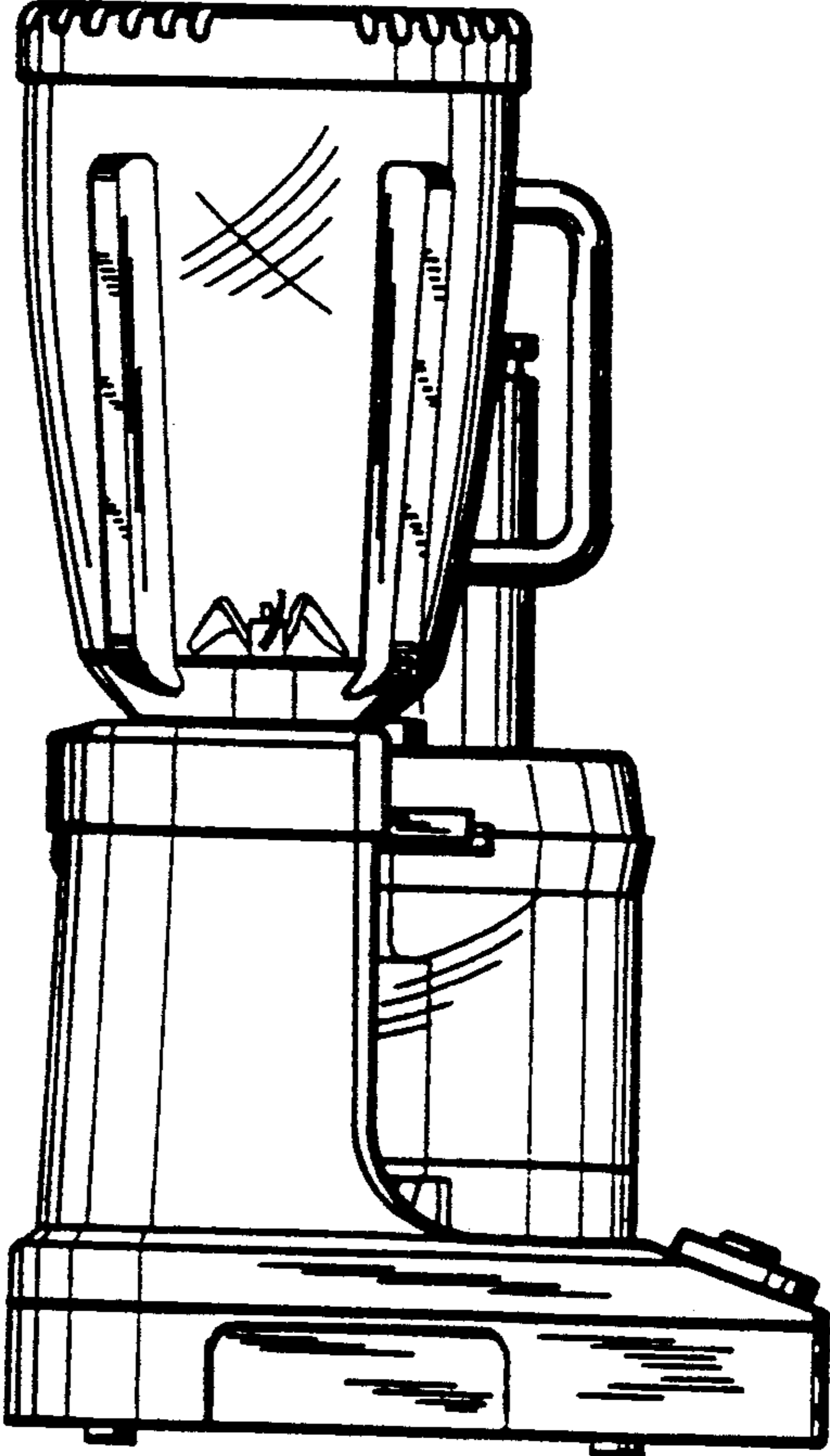


FIG. 7

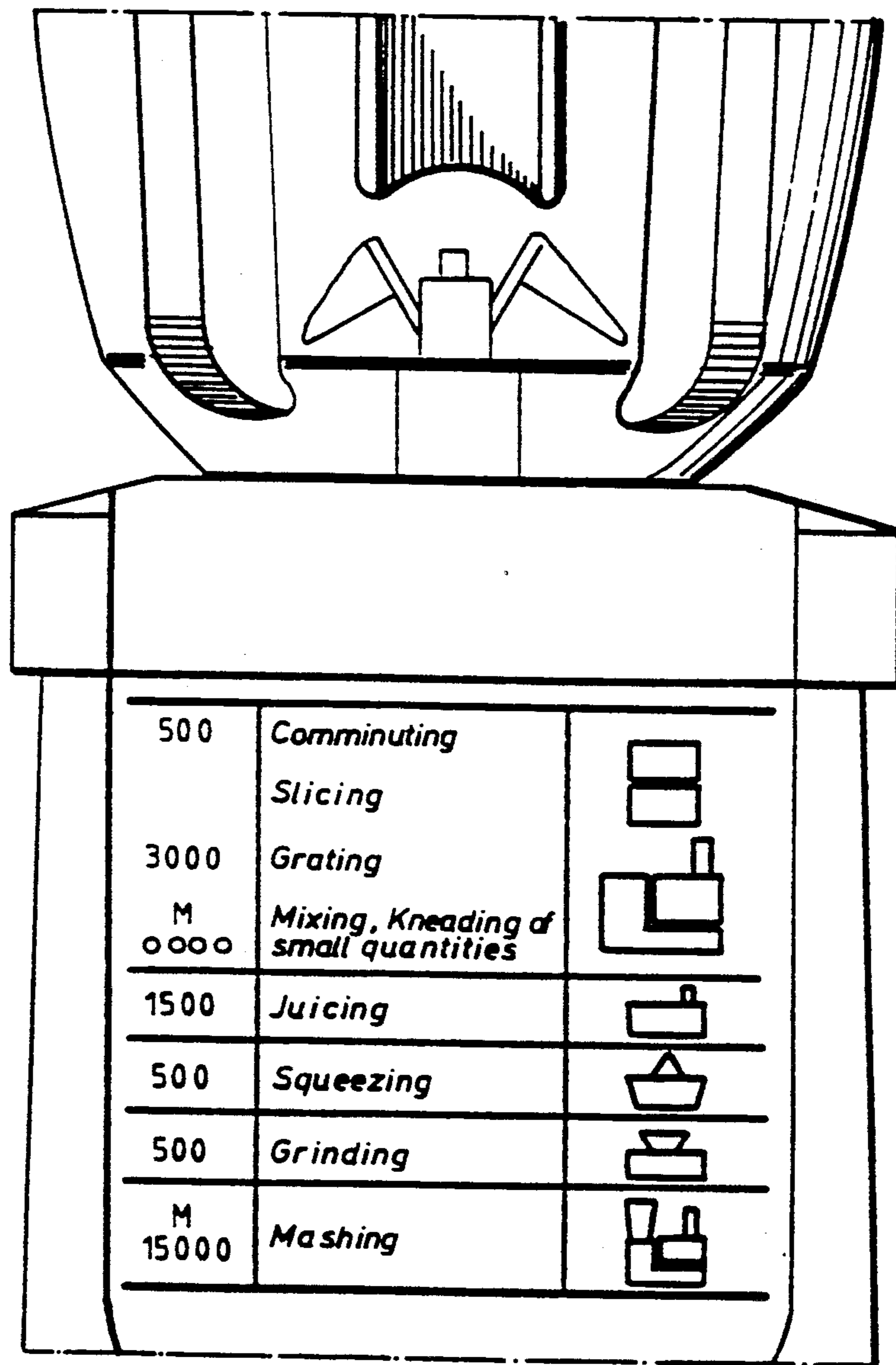


FIG. 8