

[54] TOILET TANK COVER

4,160,295 7/1979 Putyra 4/420

[76] Inventor: Patricia A. Alvey, 8643 Bannerwood Dr., Manassas, Va. 22110

Primary Examiner—Susan J. Lucas
Attorney, Agent, or Firm—Harold H. Dutton, Jr.

[**] Term: 14 Years

[57] CLAIM

[21] Appl. No.: 379,156

The ornamental design for a toilet tank cover, as shown and described.

[22] Filed: Jul. 13, 1989

[52] U.S. Cl. D6/610; D23/313

DESCRIPTION

[58] Field of Search D23/295-313; 4/234-247, 420; D6/610, 611; 150/154

FIG. 1 is a top, front perspective view of a toilet tank cover showing my new design, the toilet being shown in broken lines for illustrative purposes only; FIG. 2 is a front elevation view thereof; FIG. 3 is a rear elevation view thereof; FIG. 4 is a top plan view thereof; FIG. 5 is a side elevation view thereof.

[56] References Cited

U.S. PATENT DOCUMENTS

- D. 214,444 6/1969 Weinman D23/313
- D. 217,248 4/1970 Basner D23/213
- D. 279,849 7/1985 Kusiak D6/610
- 2,788,043 4/1957 Dolnick D23/313 X

The side opposite to that shown in FIG. 5 is identical thereto.

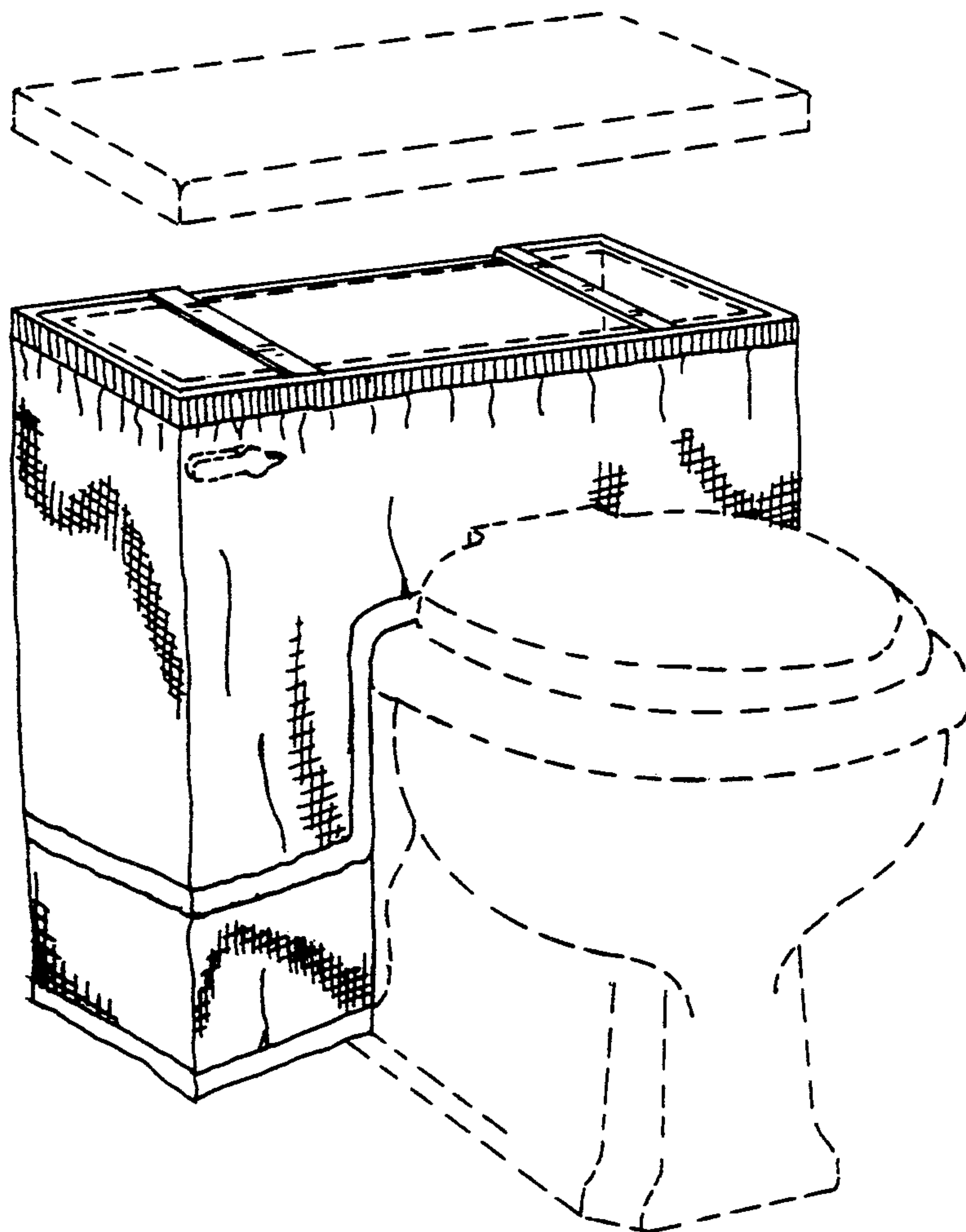


FIG. 1

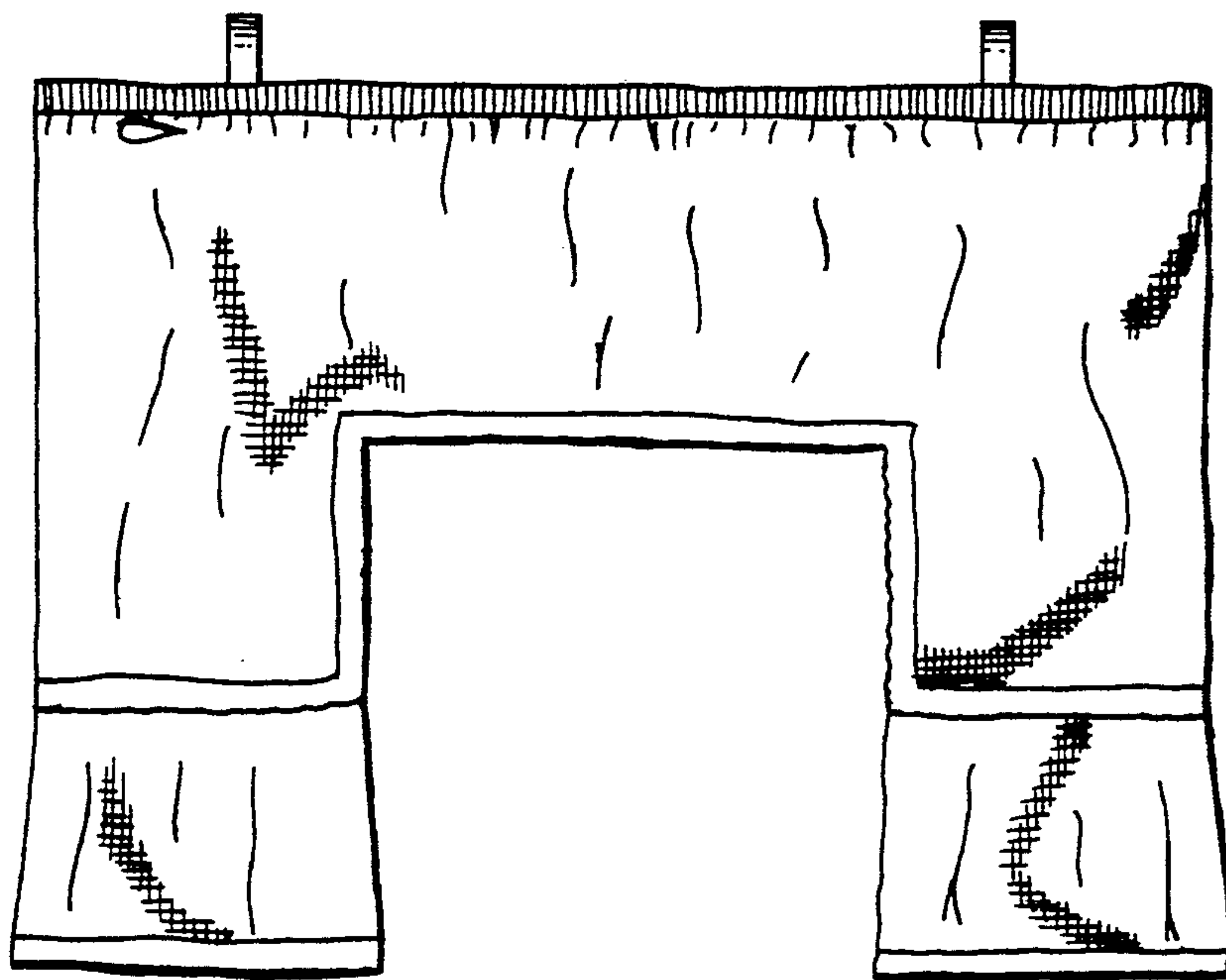
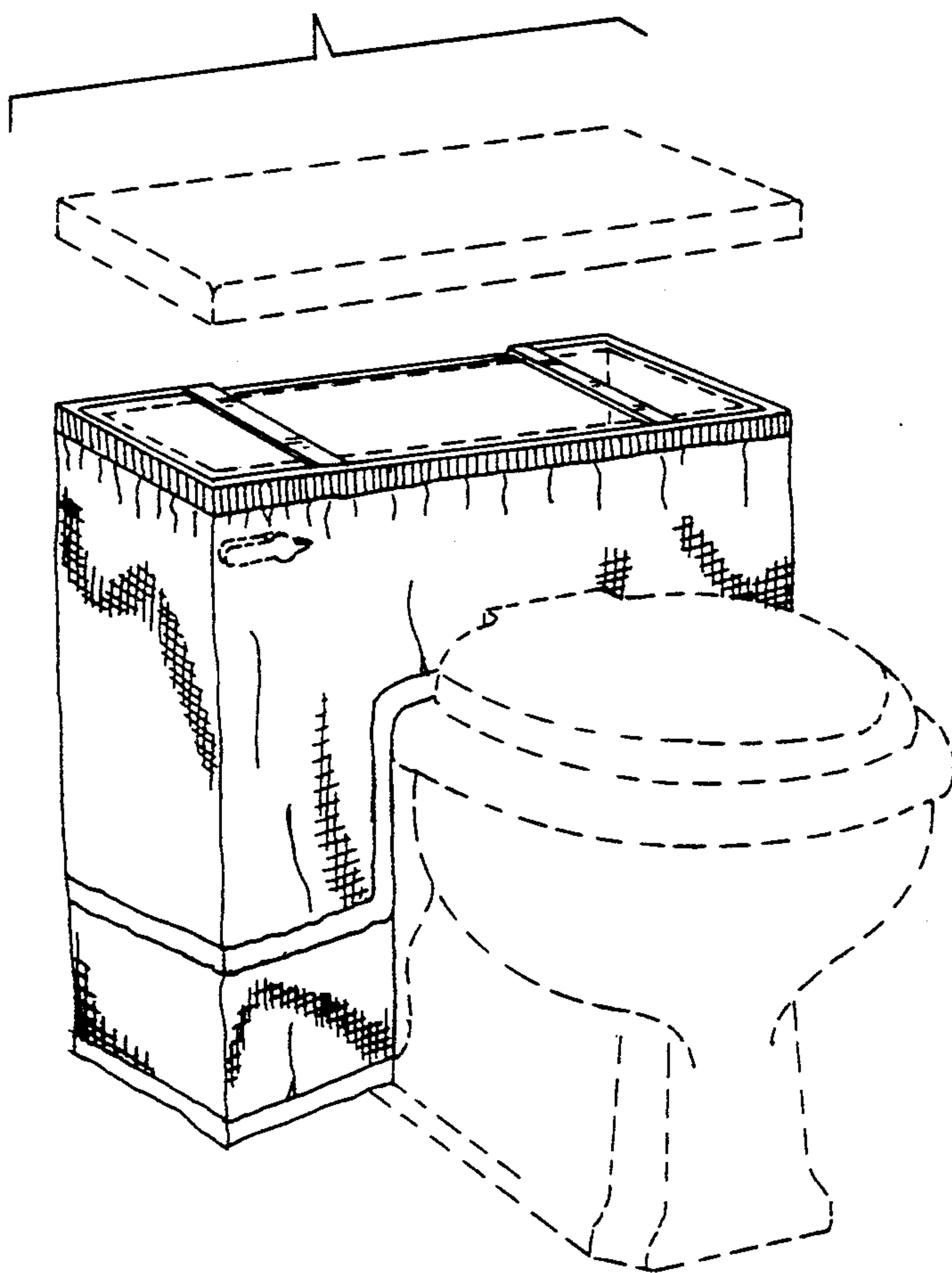


FIG. 2

FIG. 3

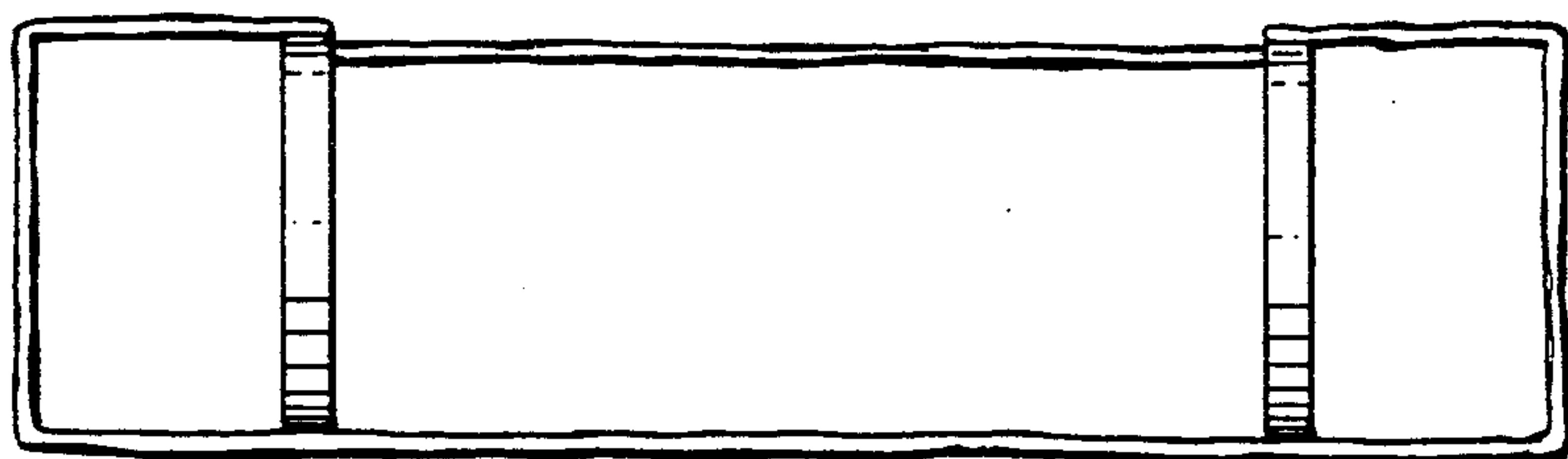
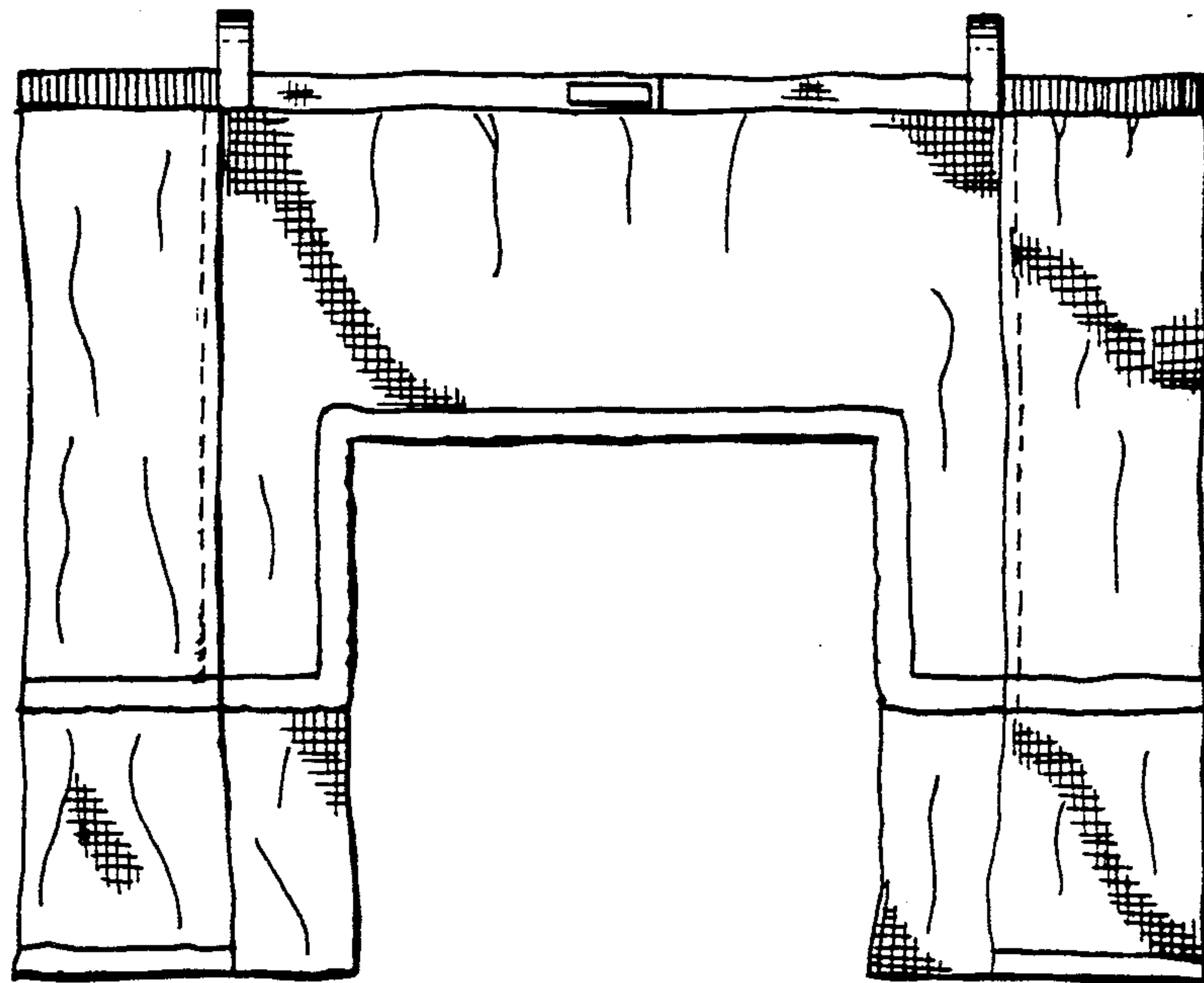


FIG. 4

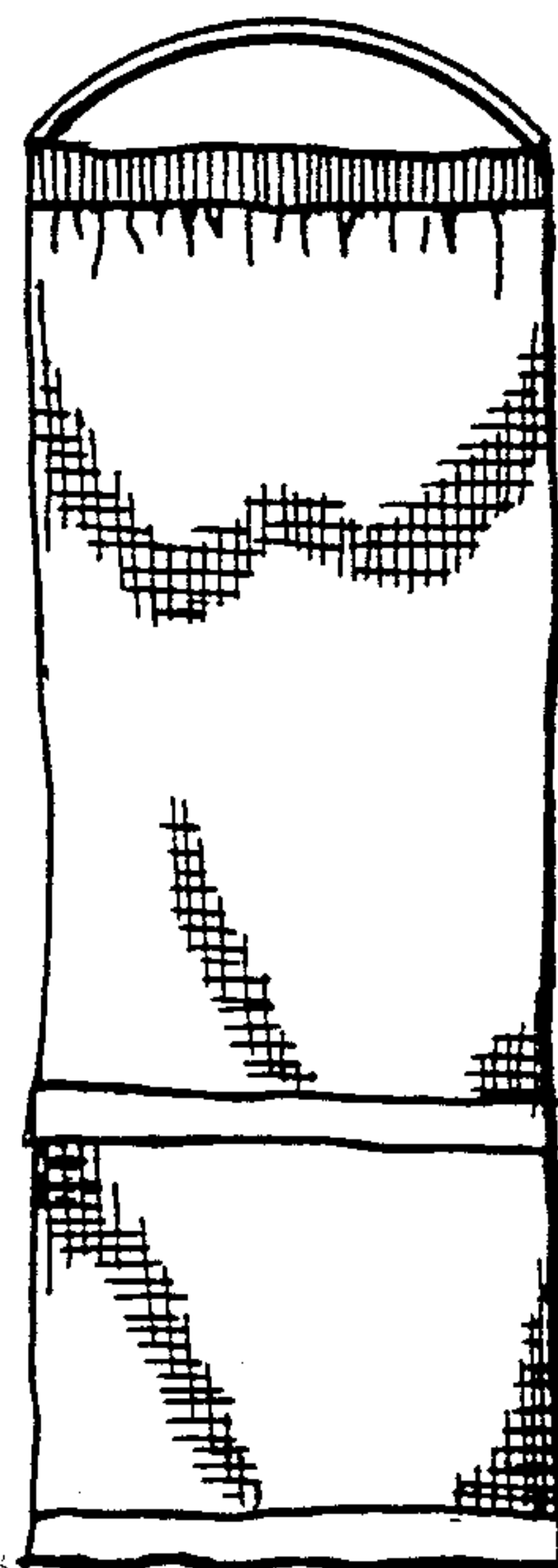


FIG. 5