

[54] TABLE

- [76] Inventor: **Gerald J. Adamson**, 174 Avenue Road, Toronto, Ontario, Canada, M5R 2J1
- [**] Term: **14 Years**
- [21] Appl. No.: **332,307**
- [22] Filed: **Mar. 31, 1989**
- [52] U.S. Cl. **D6/484; D6/499**
- [58] Field of Search **D6/480, 482-489, D6/495-499, 429, 430**

[56] **References Cited**

U.S. PATENT DOCUMENTS

- D. 93,307 9/1934 Treitel D6/488 X
- D. 98,434 2/1936 Hoffmann D6/484
- D. 177,681 5/1956 Jones D6/487 X
- D. 236,785 9/1975 Smith D6/485 X
- D. 237,929 12/1975 Laylen D6/488
- D. 280,371 9/1985 Bayly D6/484

OTHER PUBLICATIONS

Royalchrome Catalog #37, ©1936, p. 28, #254 table, lower right.
 Royalchrome Cat. #37, ©1936, p. 30, No. 845 table, bottom center.
Interiors, Nov. 1960, p. 246, No. X17-07, table at bottom.

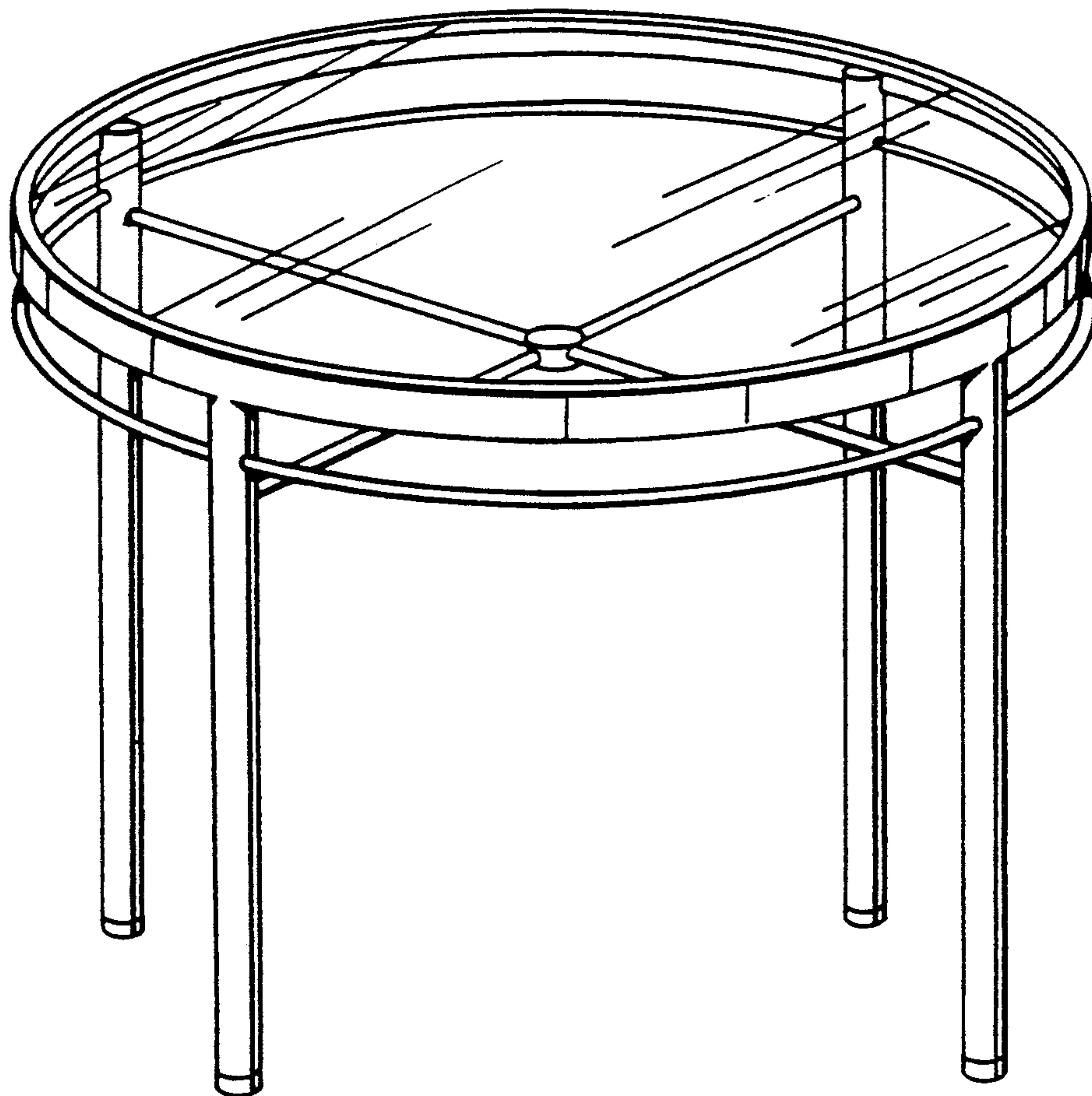
Primary Examiner—Bruce W. Dunkins
Assistant Examiner—Janice E. Seeger
Attorney, Agent, or Firm—Rogers, Bereskin & Parr

[57] **CLAIM**

The ornamental design for a table, as shown and described.

DESCRIPTION

FIG. 1 is a top perspective view of a table, showing my new design;
 FIG. 2 is a bottom perspective view; and
 FIG. 3 is a side elevational view, on an enlarged scale.



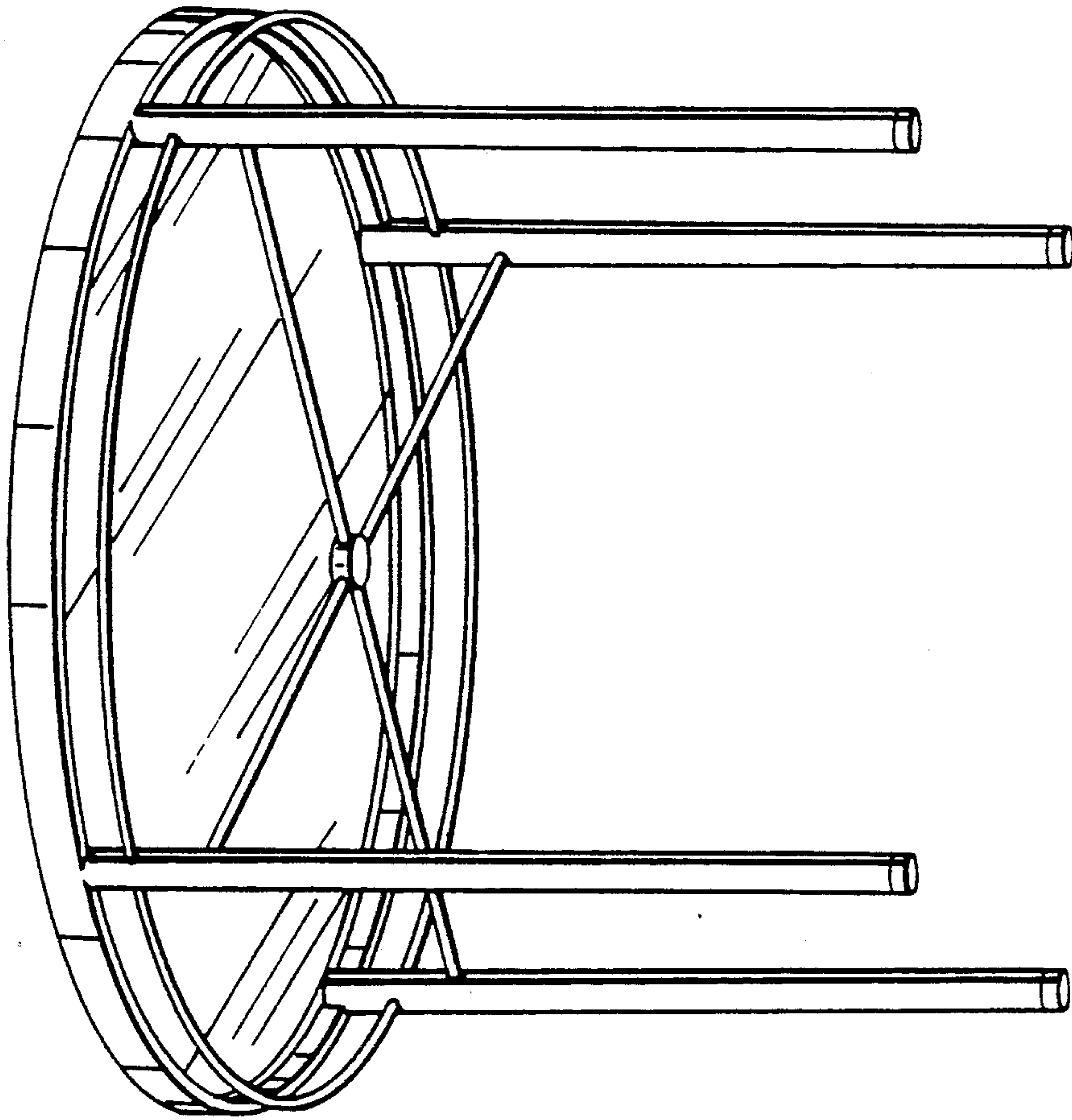


FIG. 2

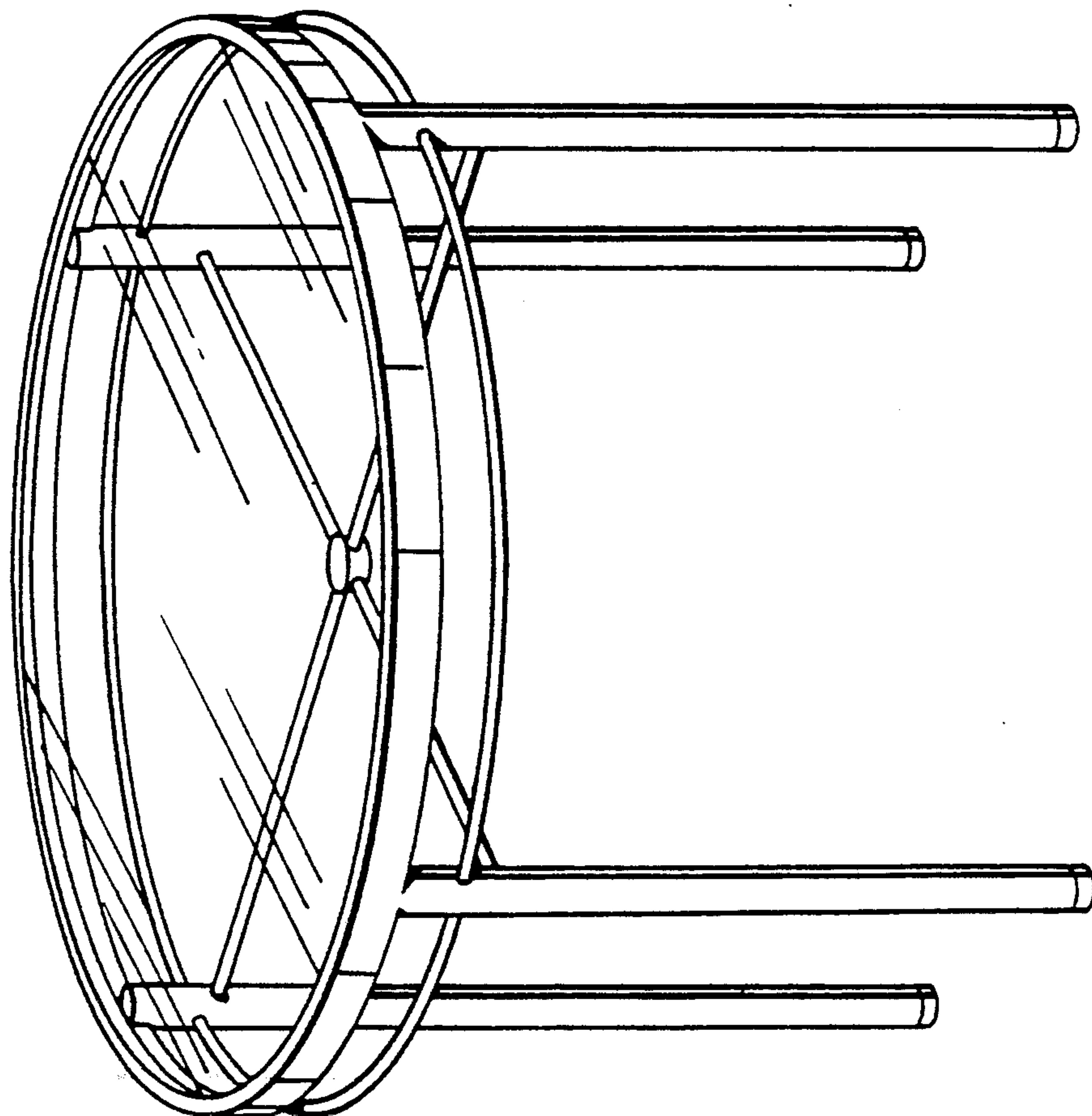


FIG. 1

FIG. 3

