

[54] **WATCH DISPLAY STAND**

[76] **Inventor: Jack H. Schechter, 4532 Walnut Lake Rd., Birmingham, Mich. 48010**

[**] **Term: 14 Years**

[21] **Appl. No.: 380,650**

[22] **Filed: Jul. 14, 1989**

[52] **U.S. Cl. D6/466; D9/420**

[58] **Field of Search D6/466, 467, 468, 466, D6/449; D3/75; D9/420, 414, 418, 346; 206/301, 45.19, 45.24, 18; 211/13**

[56] **References Cited**

U.S. PATENT DOCUMENTS

D. 141,791	7/1945	Siegel	D6/466
D. 161,655	1/1951	Vermann	D6/466
D. 209,359	11/1967	Schuler	D6/466
D. 214,160	5/1969	Beck	D9/420
4,034,849	7/1977	Zakrajsek	206/301 X
4,082,183	4/1978	Sturm	206/45.19 X

4,199,059	4/1980	Maroszek	206/45.19 X
4,216,858	8/1980	Beauchamp	206/301 X
4,830,181	5/1989	Hartman	206/301 X

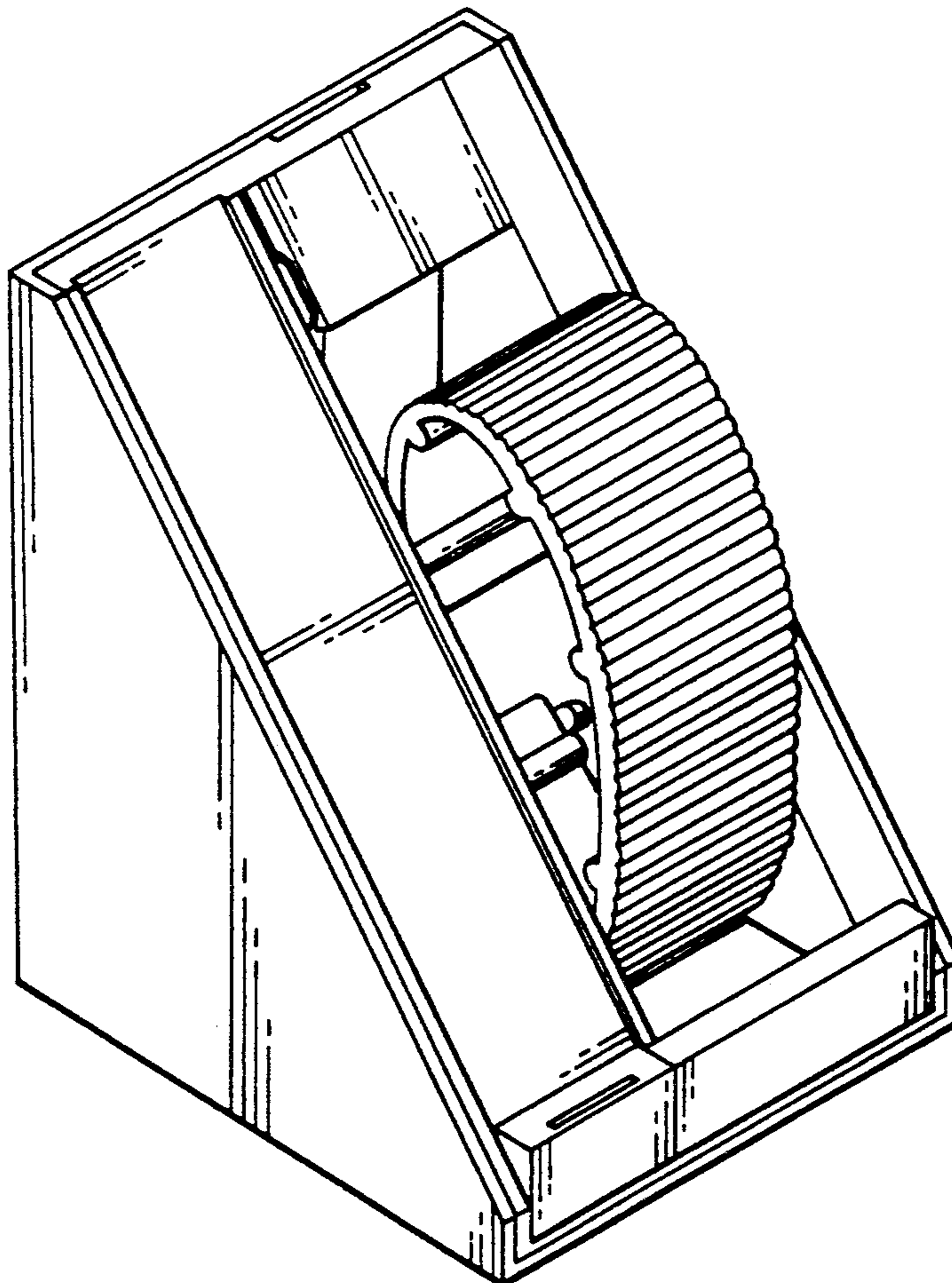
Primary Examiner—Bruce W. Dunkins
Assistant Examiner—Jeffrey Asch
Attorney, Agent, or Firm—Brooks & Kushman

[57] **CLAIM**

The ornamental design for a watch display stand, as shown.

DESCRIPTION

FIG. 1 is a perspective view of a watch display stand showing my new design;
FIG. 2 is a front elevational view thereof;
FIG. 3 is a right side elevational view thereof;
FIG. 4 is a left side elevational view thereof;
FIG. 5 is a top plan view thereof;
FIG. 6 is a rear elevational view thereof; and
FIG. 7 is a bottom plan view thereof.
FIGS. 2-7 have been shown on a reduced scale with respect to FIG. 1.



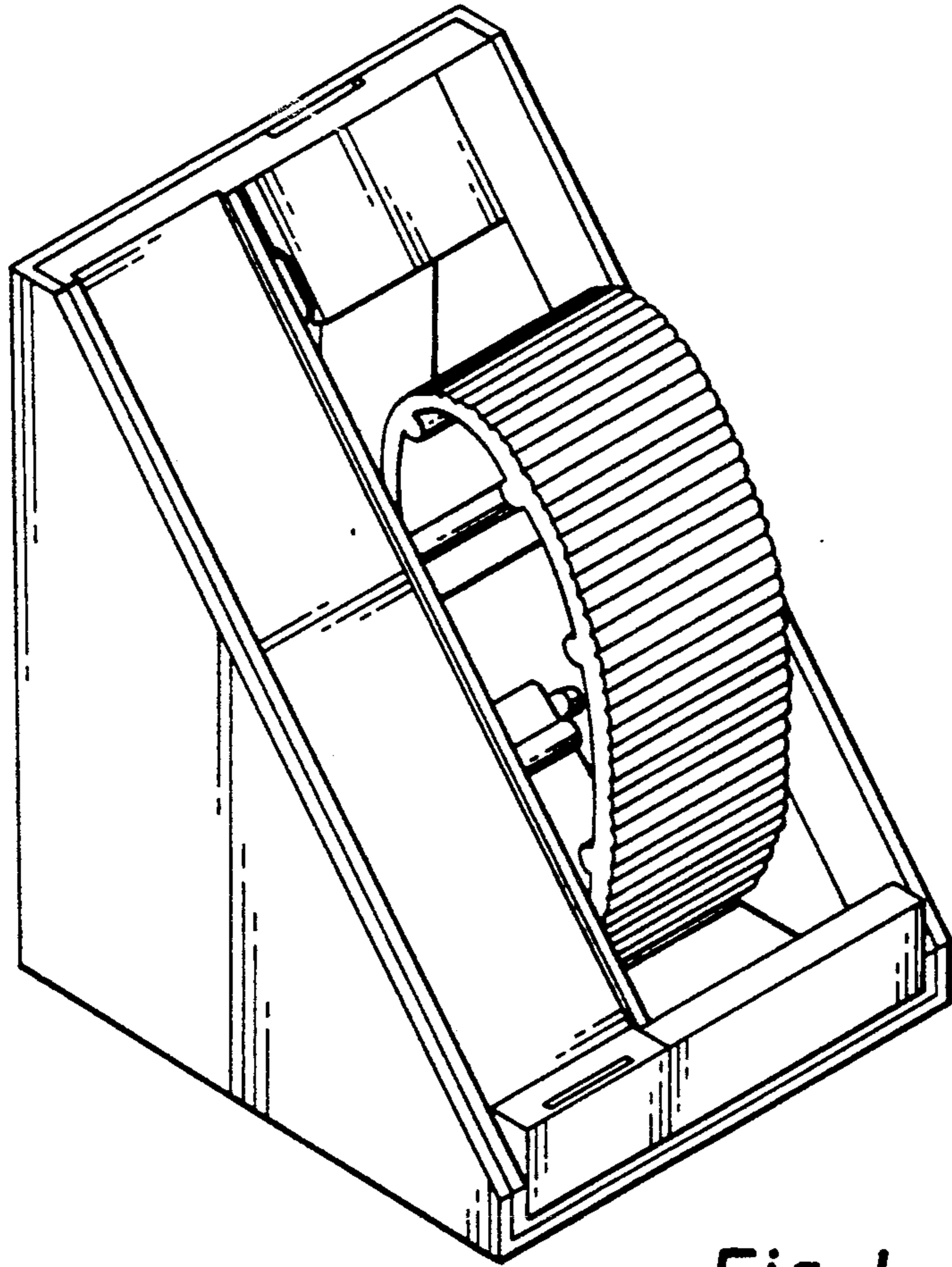


Fig. 1

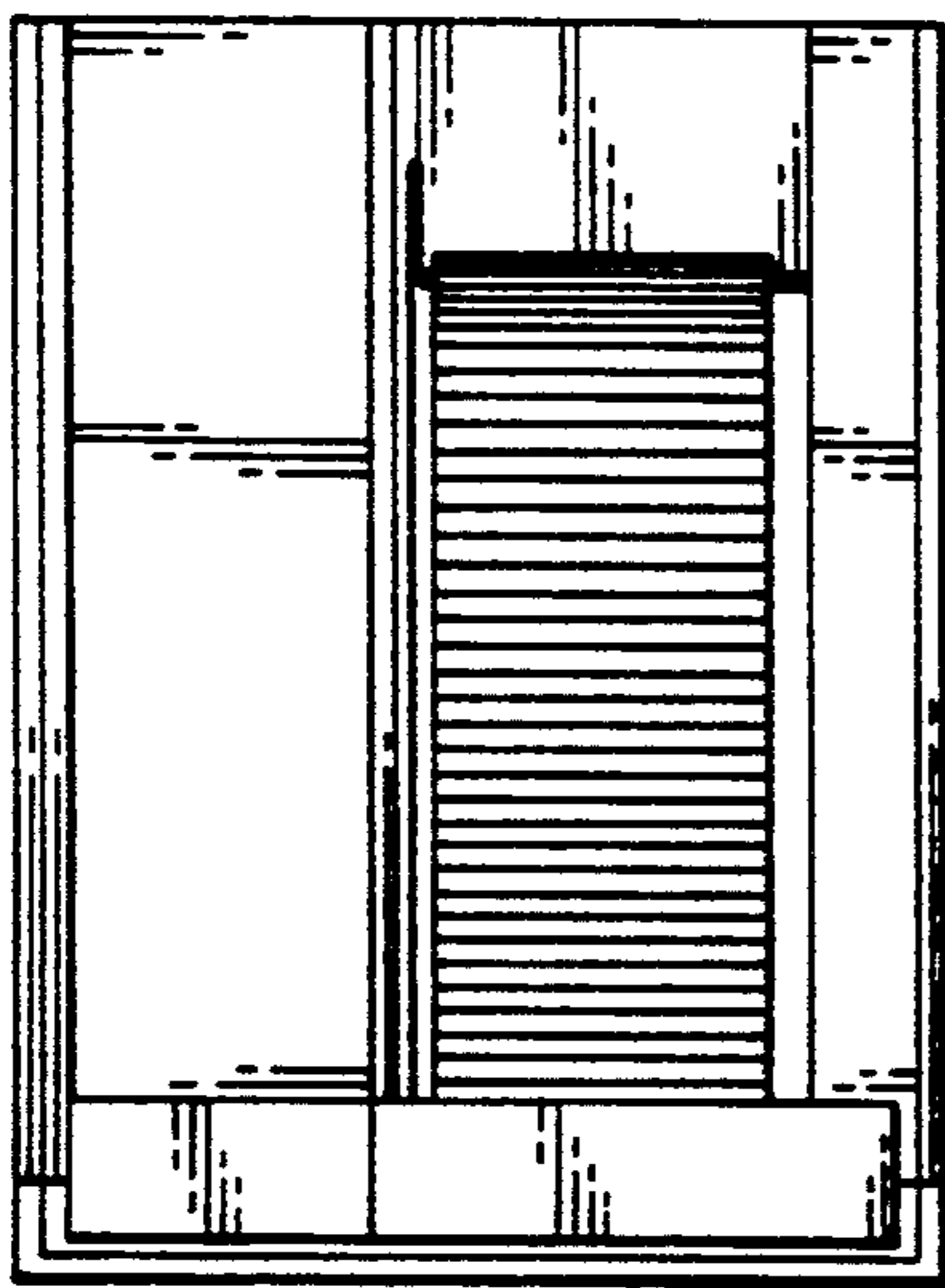


Fig. 2

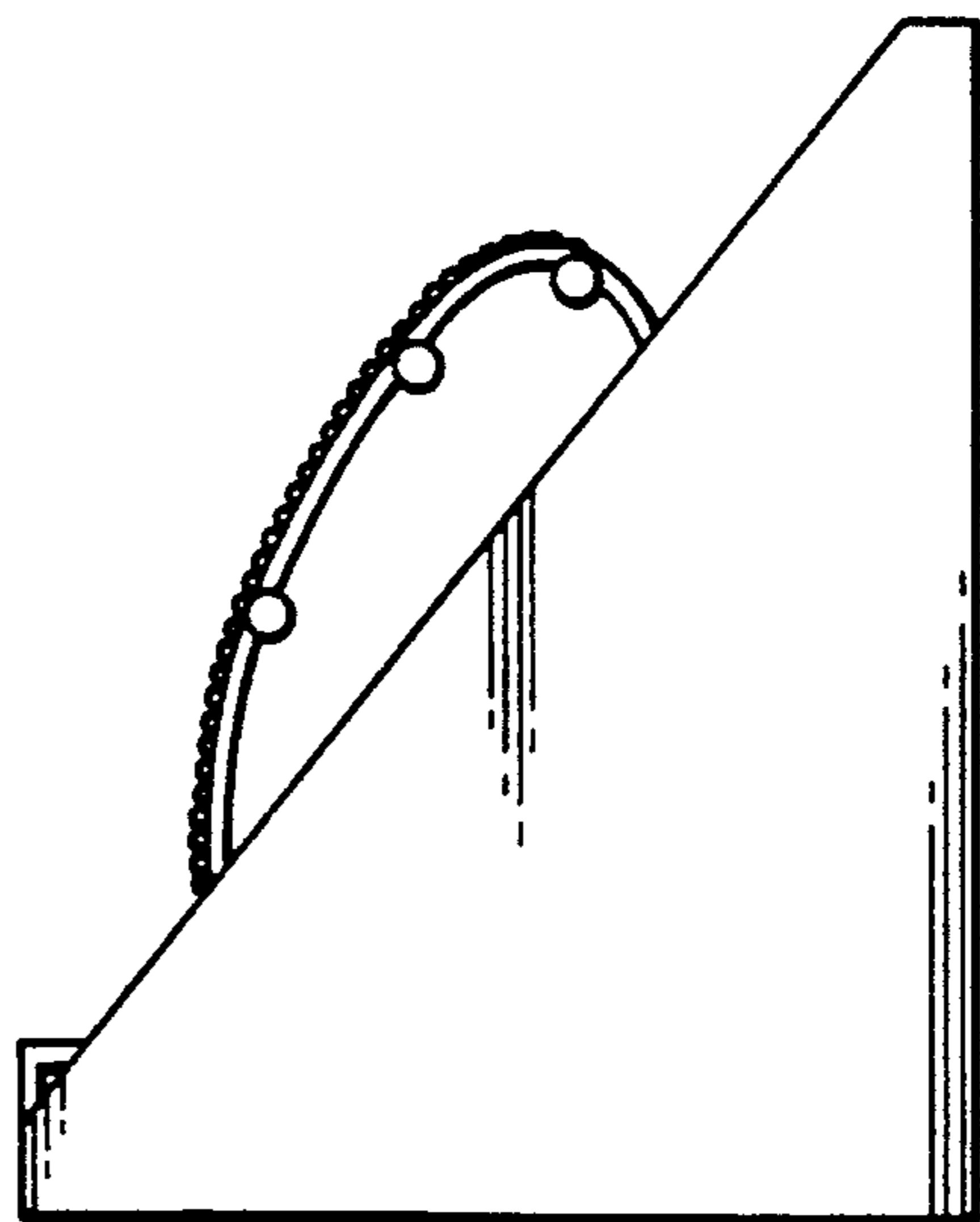


Fig. 3

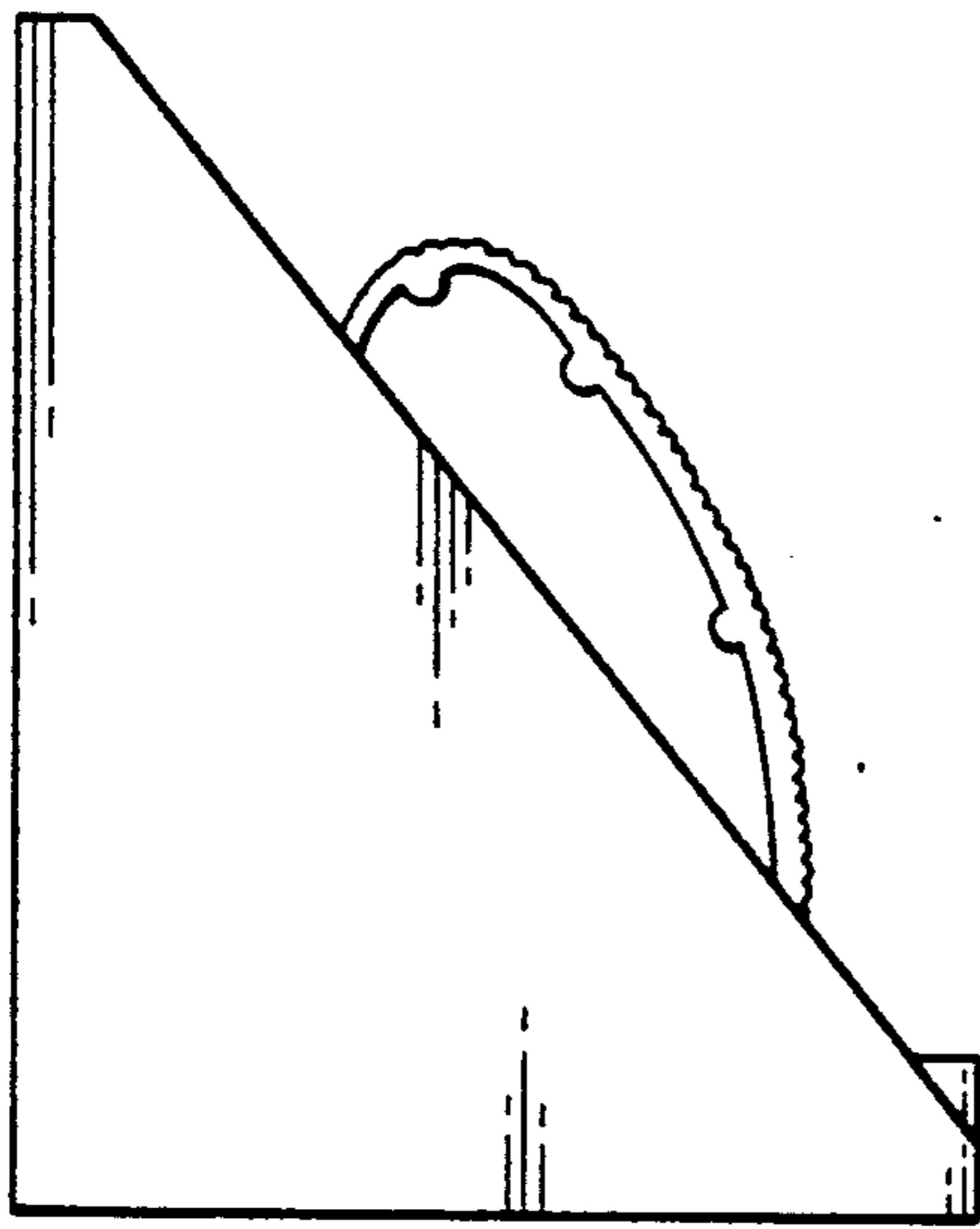


Fig. 4

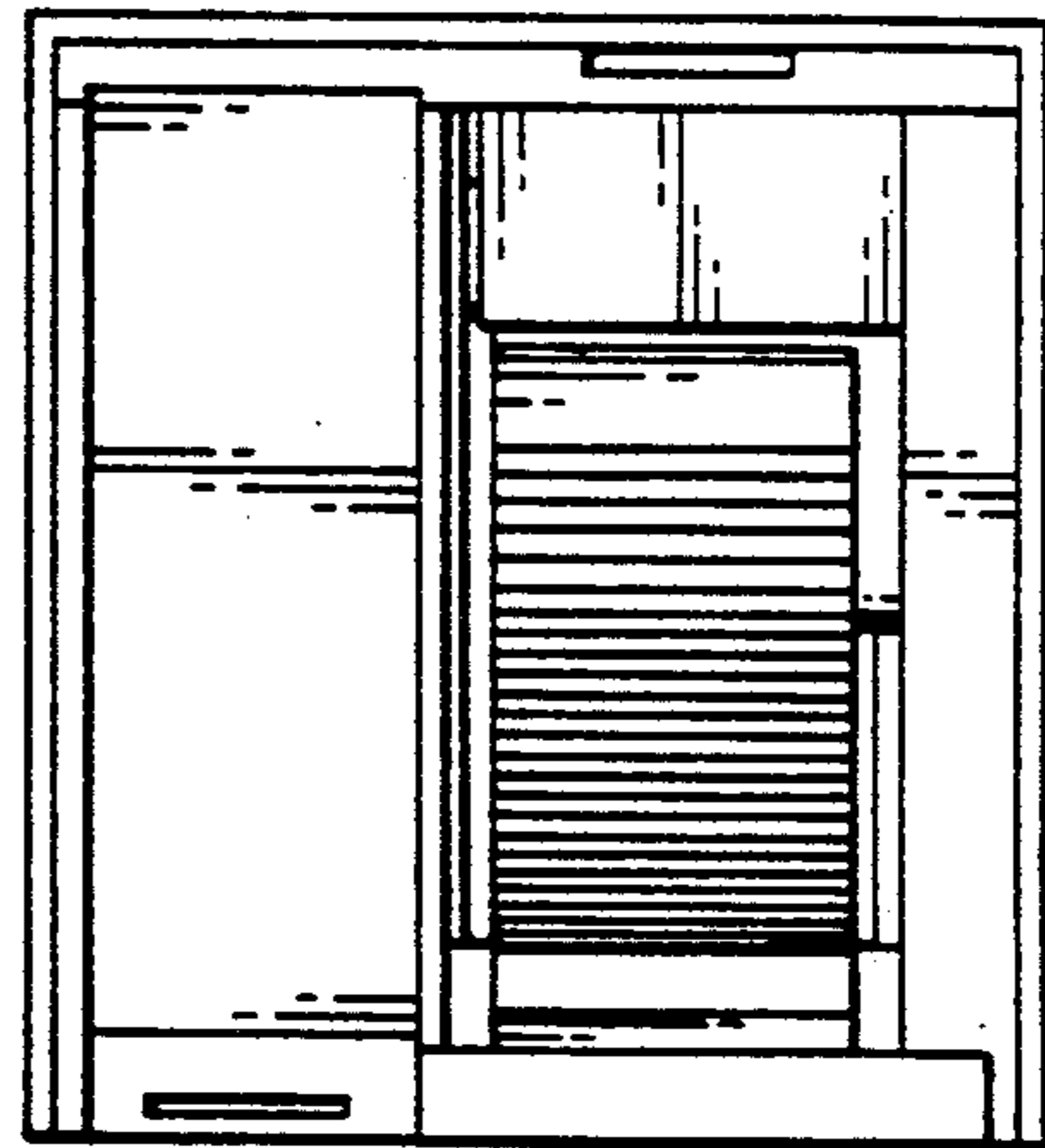


Fig. 5

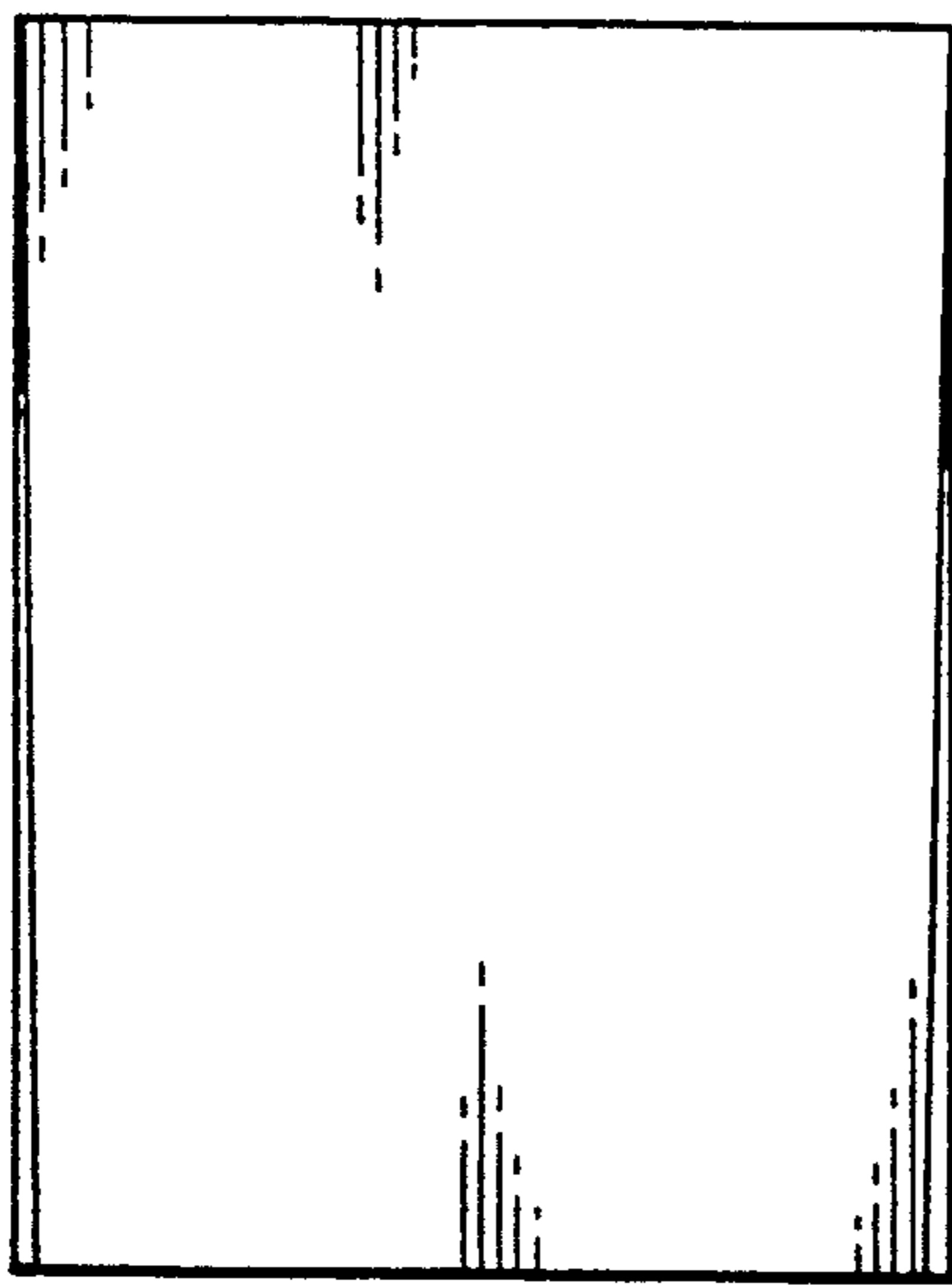


Fig. 6

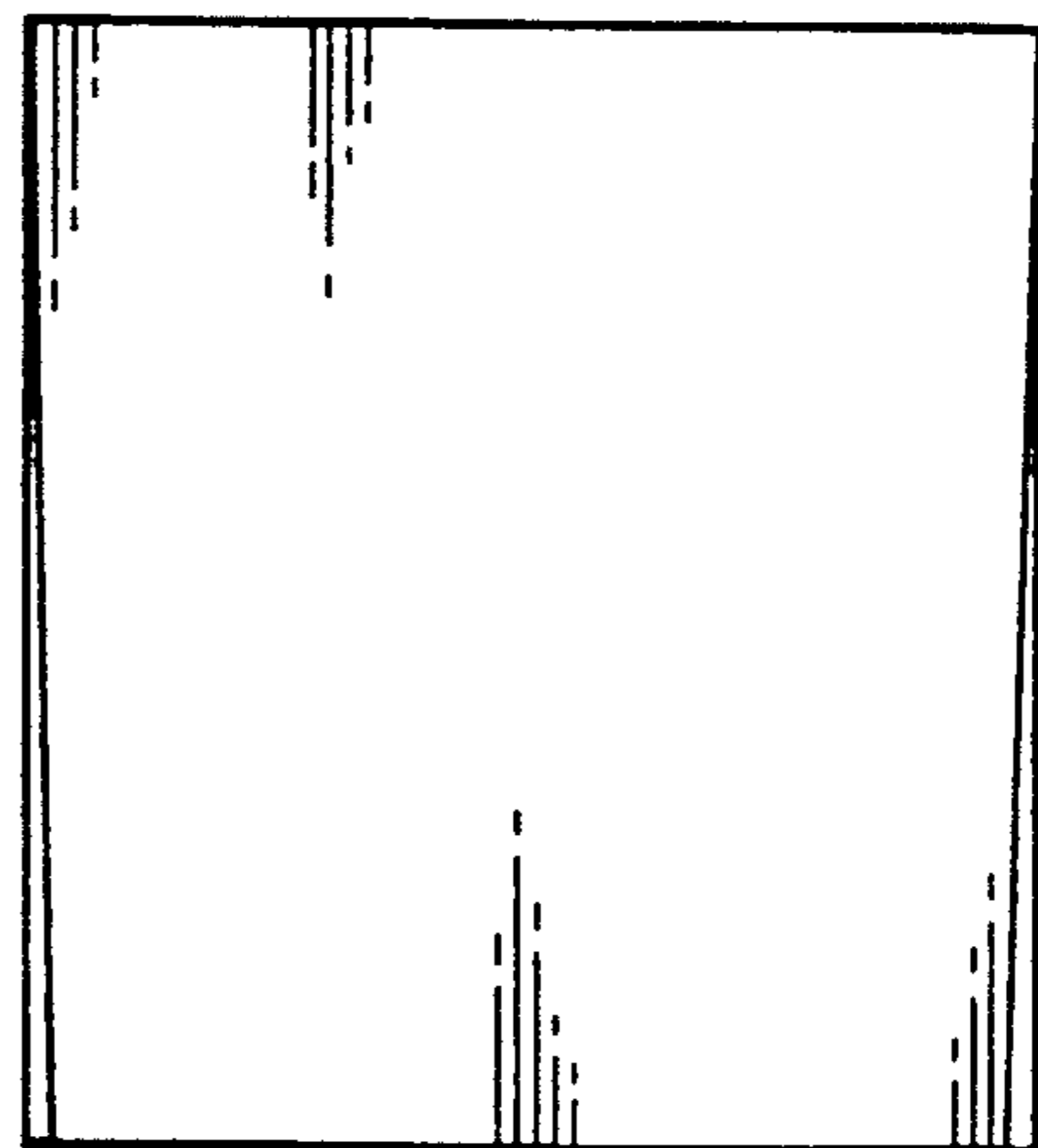


Fig. 7