

[54] **HOLDER FOR SHEET MUSIC AND MUSIC ACCESSORIES**

[75] **Inventor: Thomas M. Corsile, Quincy, Mass.**

[73] **Assignee: Boston Stand & Accessory Company, Inc., Quincy, Mass.**

[**] **Term: 14 Years**

[21] **Appl. No.: 303,399**

[22] **Filed: Jan. 30, 1989**

[52] **U.S. Cl. D6/419**

[58] **Field of Search D6/419, 440, 448, 396, D6/422, 310-314; 248/441.1, 454, 457; D19/92**

[56] **References Cited**

U.S. PATENT DOCUMENTS

D. 83,127	1/1931	Roby .	
D. 154,300	6/1949	Morris	D19/92
D. 186,181	9/1959	Silkenat	D7/550
D. 246,883	1/1978	DiRuscio	D7/546 X
D. 256,754	9/1980	LoJacono et al.	D6/191
D. 260,102	8/1981	Evans	D19/92
D. 260,907	9/1981	Giulie et al.	D19/92
D. 276,779	12/1984	Gomez	D6/418
D. 285,270	8/1986	Hannah et al.	D6/511
D. 294,601	3/1988	Klodt	D19/92
D. 305,035	12/1989	Yon et al.	D19/92 X
D. 311,931	11/1990	Evenson	D19/92
602,177	4/1898	Wiler .	
758,924	5/1904	Law .	
936,936	10/1909	Phelps .	
1,016,970	2/1912	Smith .	
1,035,682	8/1912	Brehm .	
1,281,682	10/1918	Southworth	248/457

1,343,229	6/1920	Philbrook, Jr.	248/457
3,113,531	12/1963	Barnard	D6/429 X
3,637,172	1/1972	Diesbach	D6/429 X
4,078,757	3/1978	Waters	248/441.1
4,383,487	5/1983	Fitzner et al.	108/27
4,819,902	4/1989	Wenger et al.	248/454 X

FOREIGN PATENT DOCUMENTS

368221	2/1923	Fed. Rep. of Germany	248/452
--------	--------	----------------------------	---------

Primary Examiner—Bruce W. Dunkins

Assistant Examiner—Monica A. Hannon

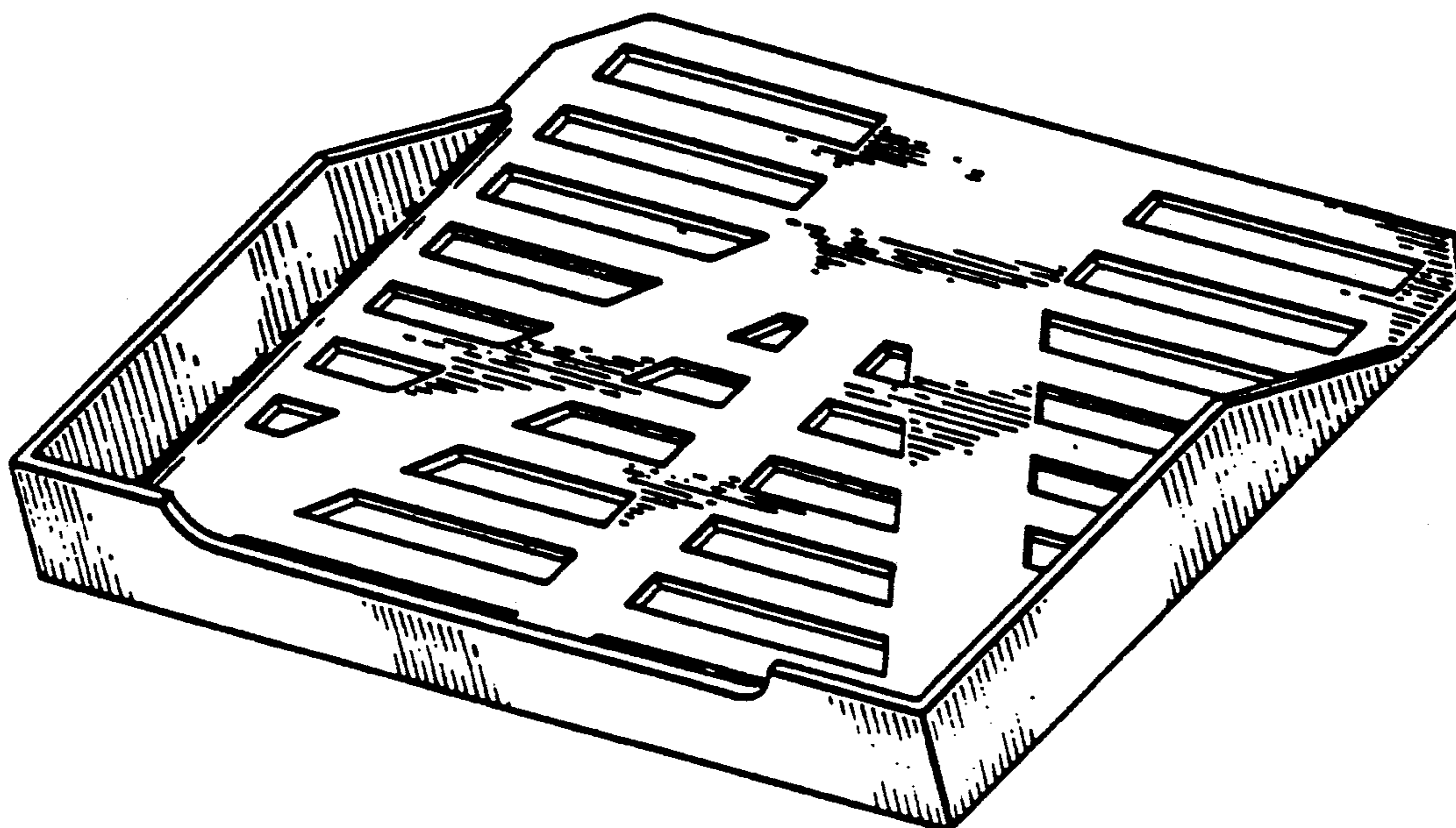
Attorney, Agent, or Firm—Lahive & Cockfield

[57] **CLAIM**

The ornamental design for a holder for sheet music and music accessories, as shown and described.

DESCRIPTION

FIG. 1 is a perspective view of a holder for sheet music and music accessories showing my new design; FIG. 2 is a top view of the holder shown in FIG. 1; FIG. 3 is a bottom view of the holder shown in FIG. 1; FIG. 4 is a side view of the holder shown in FIG. 1, where the clamp is shown in a position perpendicular to the bottom of the holder; FIG. 5 is an anterior view of the holder shown in FIG. 1 where the clamp is parallel to the bottom surface of the holder; and FIG. 6 is a lateral view of the holder shown in FIG. 1 where the clamp is perpendicular to the holder. The support arm fragmentarily disclosed in FIGS. 3 and 6 has been shown for illustrative purposes only. FIGS. 2 through 6 have been shown on an enlarged scale with respect to FIG. 1.



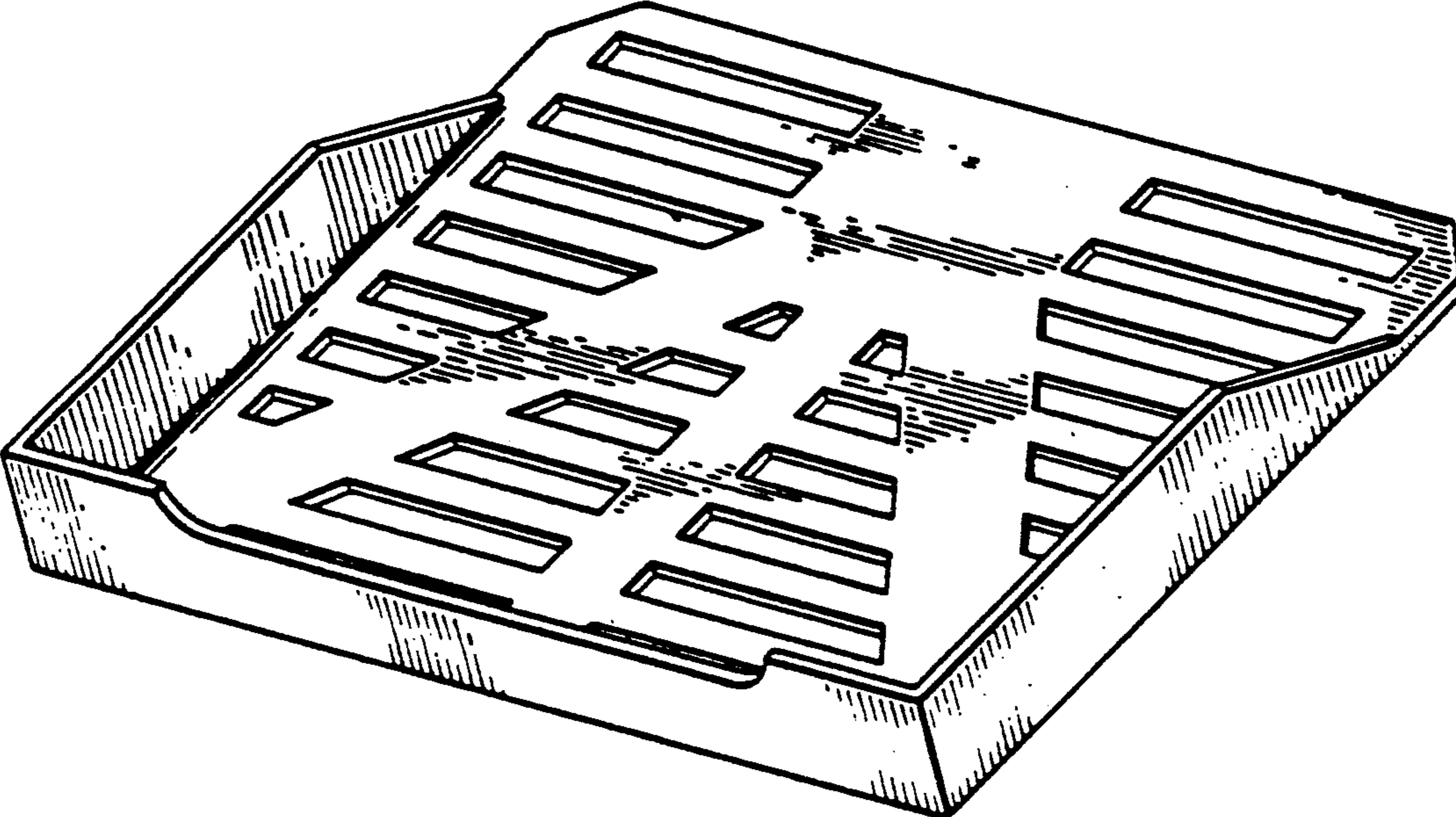


FIG. 1

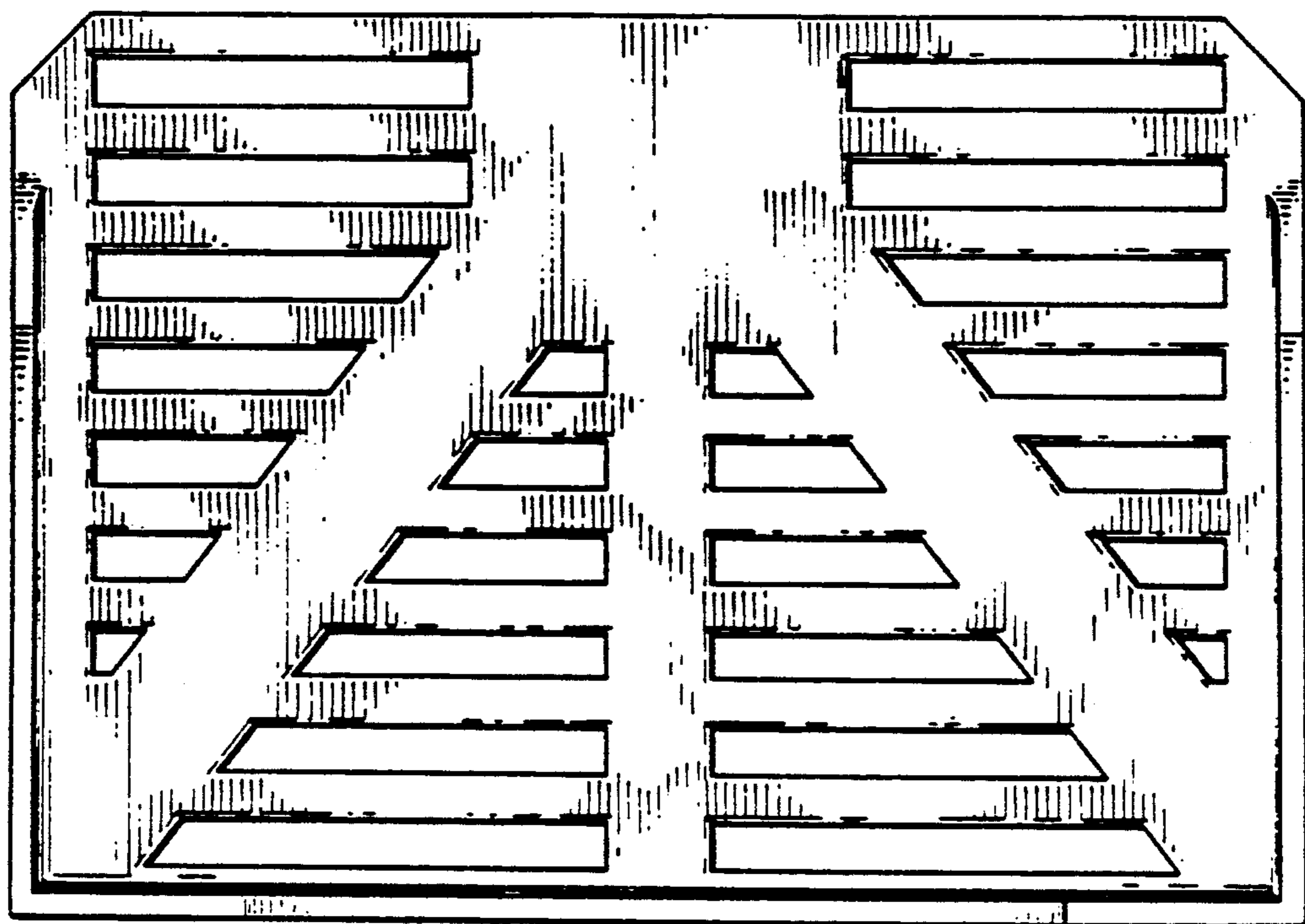


FIG. 2

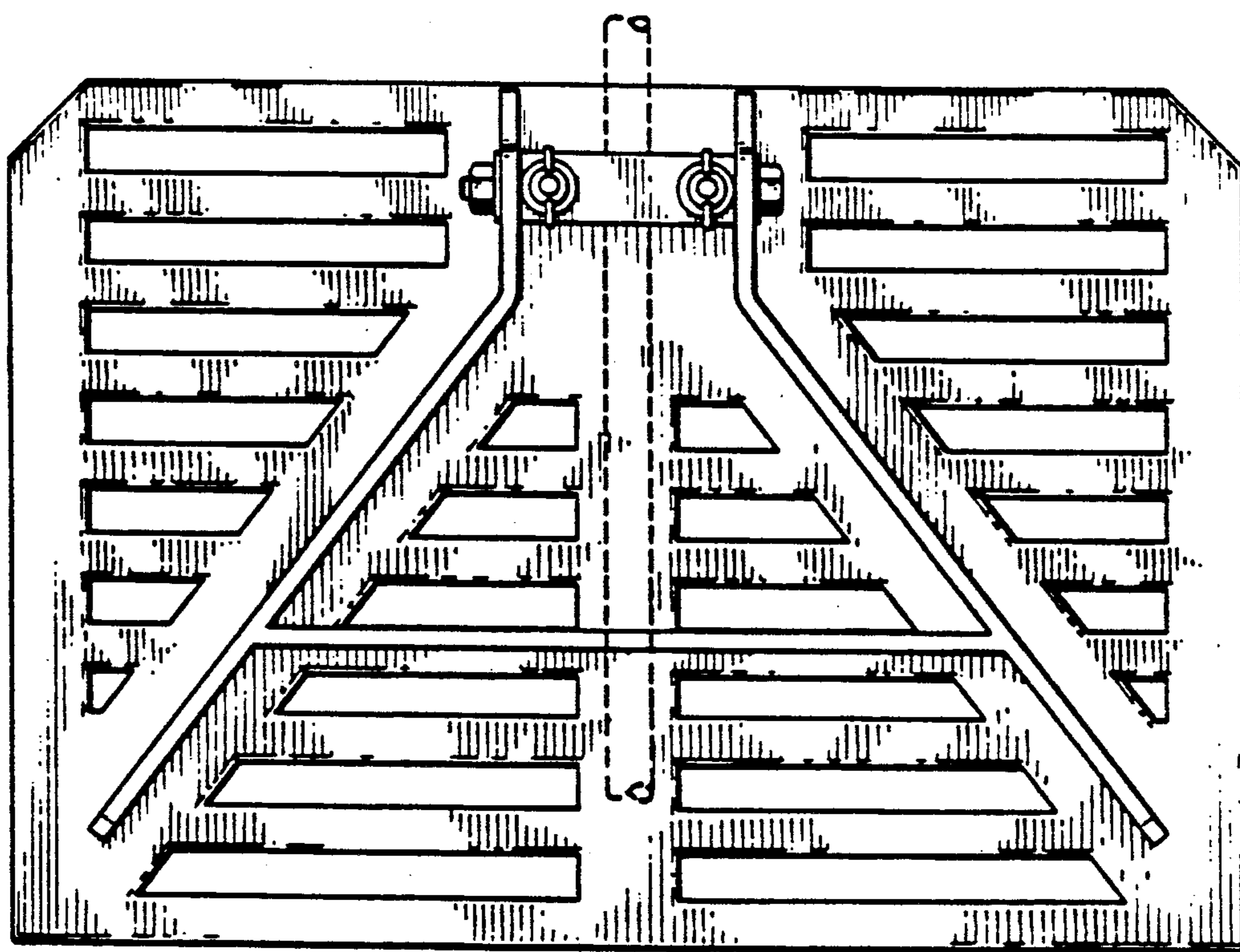


FIG. 3

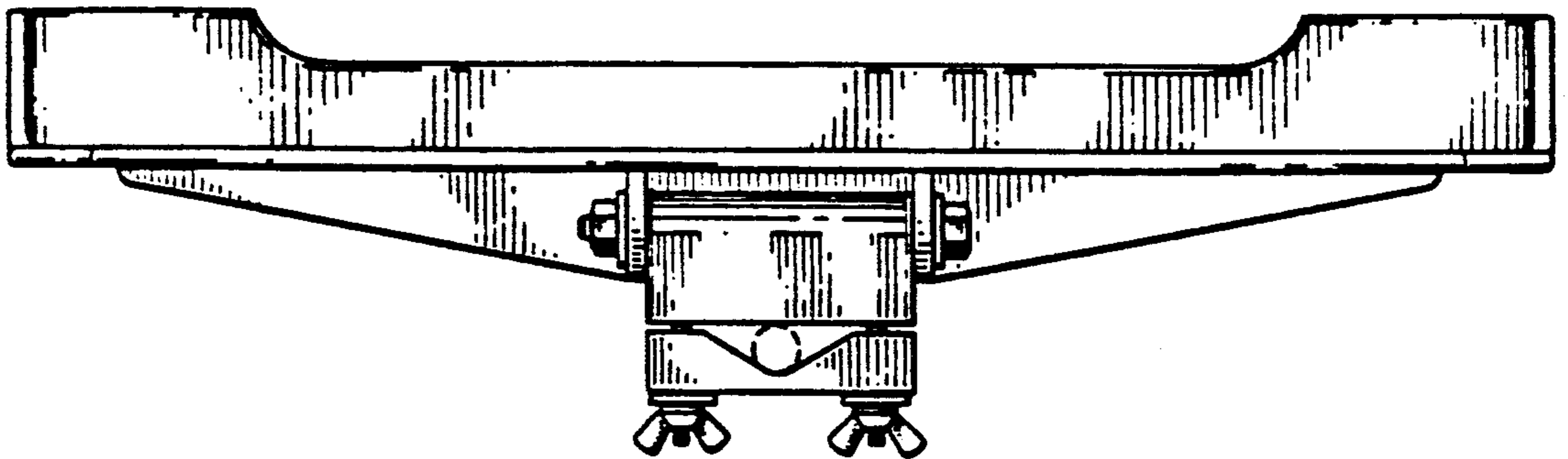


FIG. 4

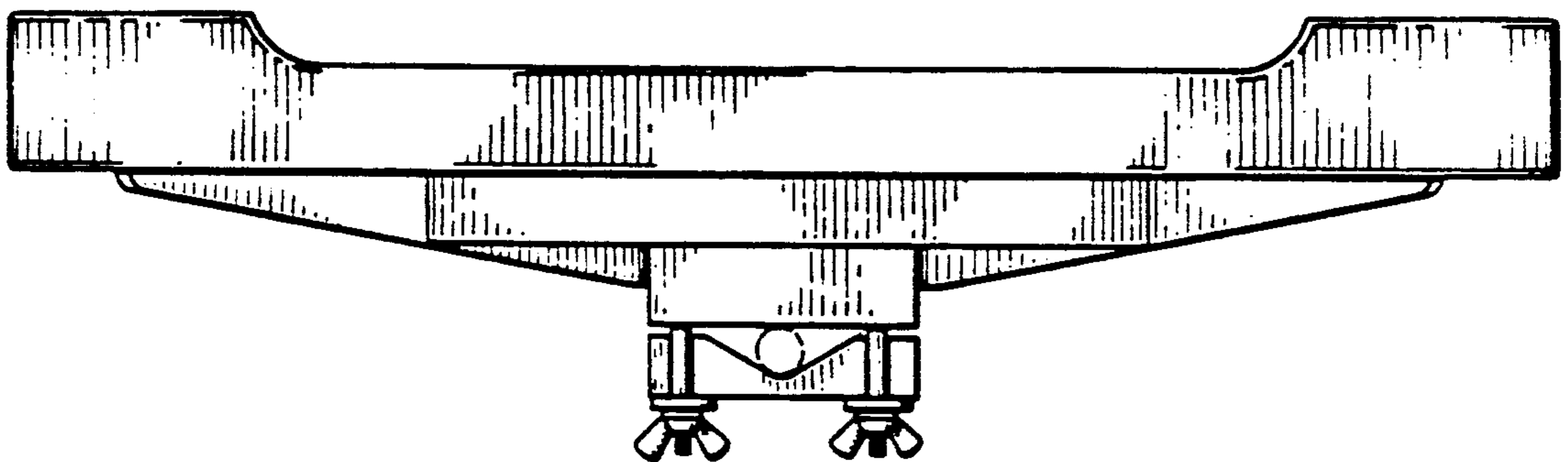


FIG. 5

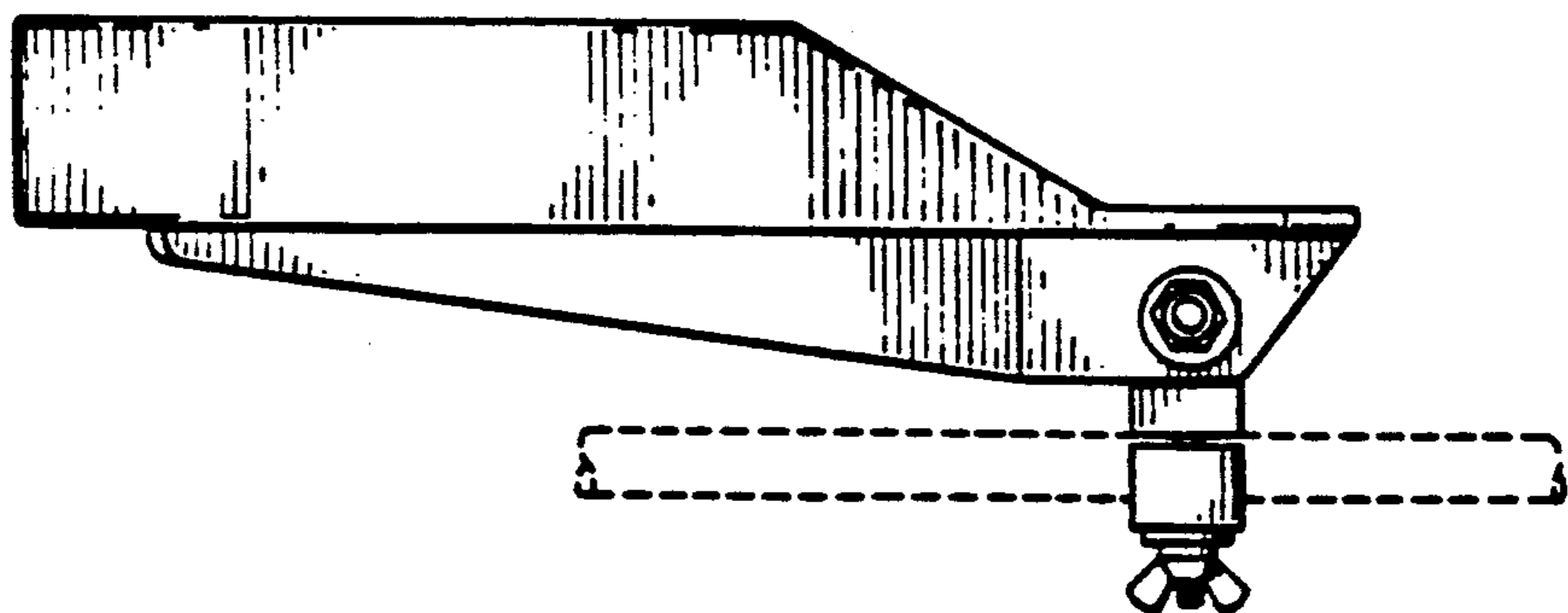


FIG. 6