

[54] COMBINED DESK AND SEAT FOR A STUDENT

[76] Inventor: Philippe Pons, Hephaitos 3 Rue Auguste Pellet, Nimes (Gard), France

[**] Term: 14 Years

[21] Appl. No.: 207,390

[22] Filed: Jun. 15, 1988

[30] Foreign Application Priority Data

Dec. 16, 1987 [FR] France 211
[52] U.S. Cl. D6/338; D6/340
[58] Field of Search D6/330, 336, 338, 354, D6/355

[56] References Cited

U.S. PATENT DOCUMENTS

D. 169,012 3/1953 Musacco D6/338
D. 291,155 8/1987 Wertheimer D6/354 X

D. 292,453 10/1987 Opsvik D6/354 X
D. 292,455 10/1987 Rykken D6/354 X
D. 292,654 11/1987 Melvin D6/354 X
D. 292,852 11/1987 Rykken D6/354 X
4,328,991 5/1982 Mengshod et al. D6/330 X

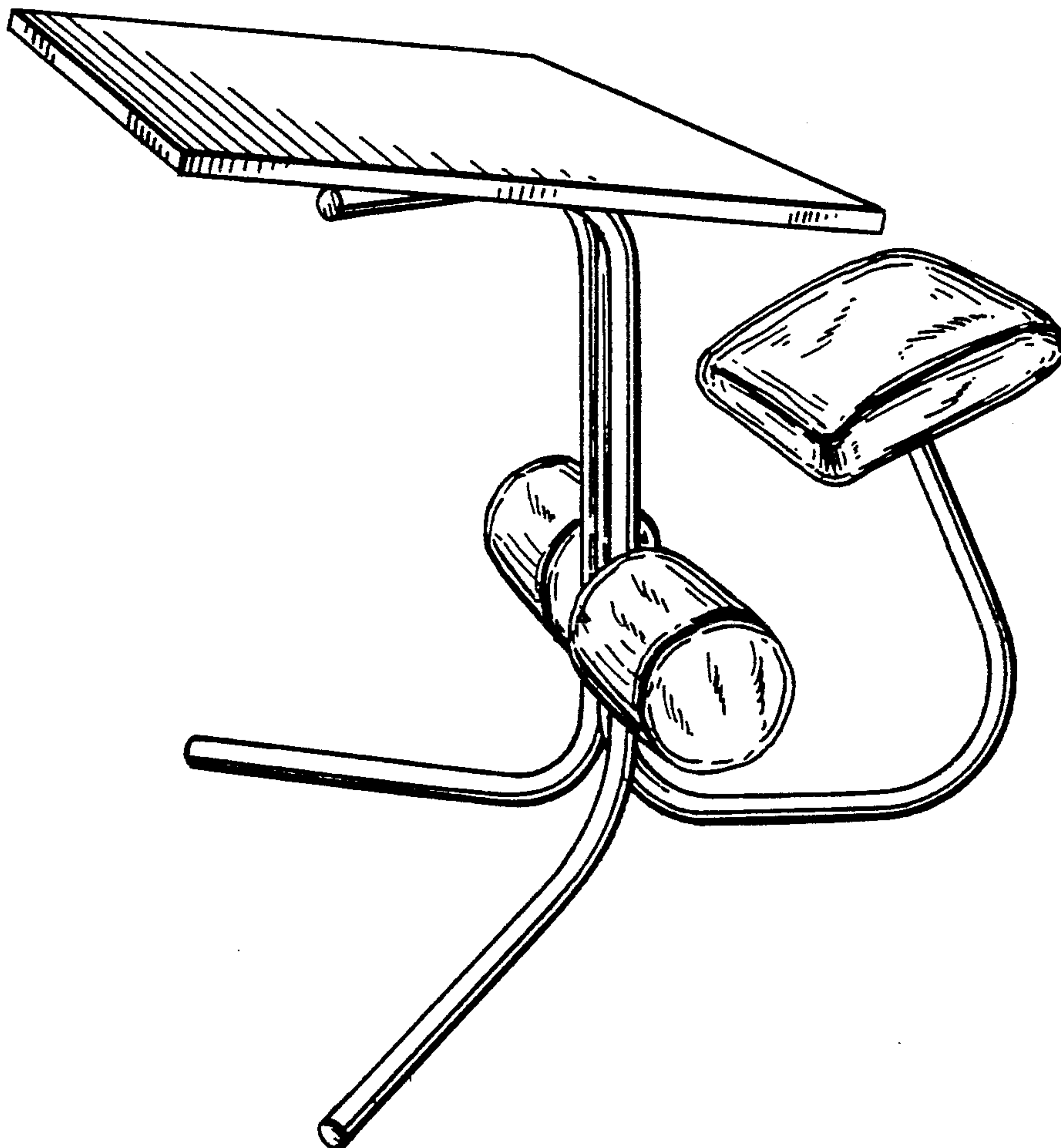
Primary Examiner—Bruce W. Dunkins
Assistant Examiner—Janice E. Seeger
Attorney, Agent, or Firm—Martin Smolowitz

[57] CLAIM

The ornamental design for a combined desk and seat for a student, as shown and described.

DESCRIPTION

FIG. 1 is a perspective view of a combined desk and seat for a student, showing my new design; FIG. 2 is a side elevational view, the opposite side being a mirror image thereof; FIG. 3 is a front elevational view; FIG. 4 is a rear elevational view; FIG. 5 is a top plan view; and FIG. 6 is a bottom plan view.



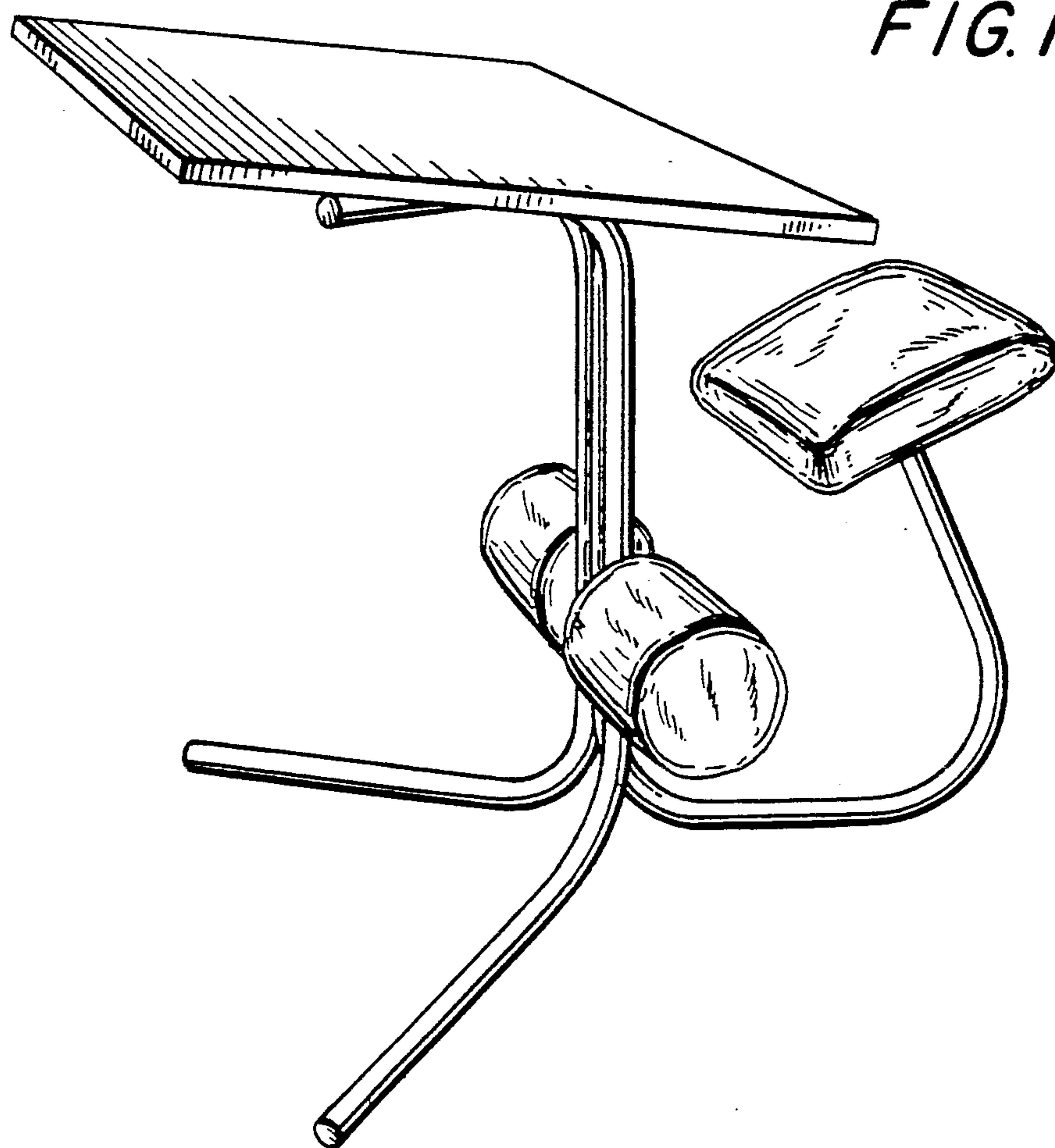


FIG. 6

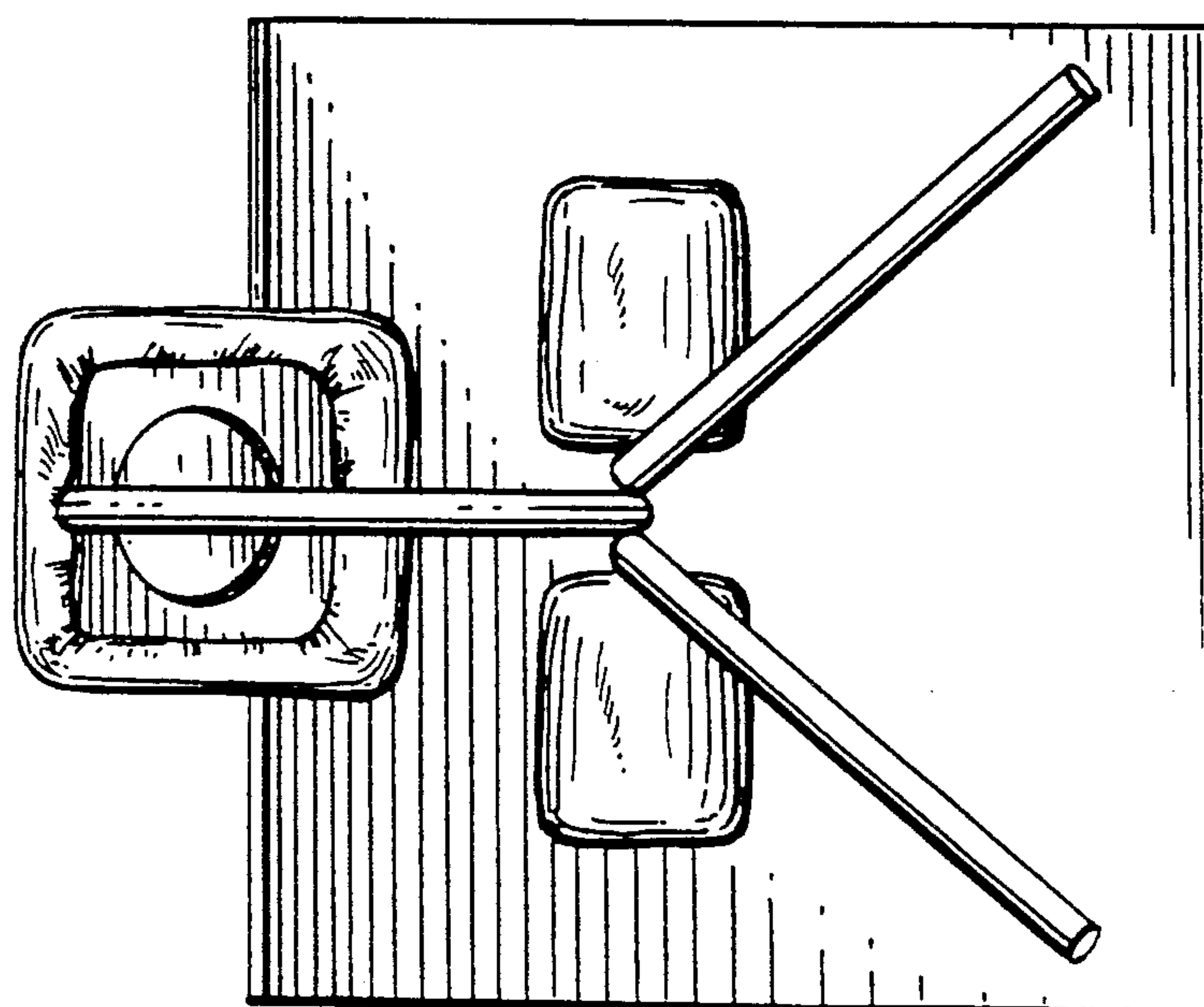


FIG. 3

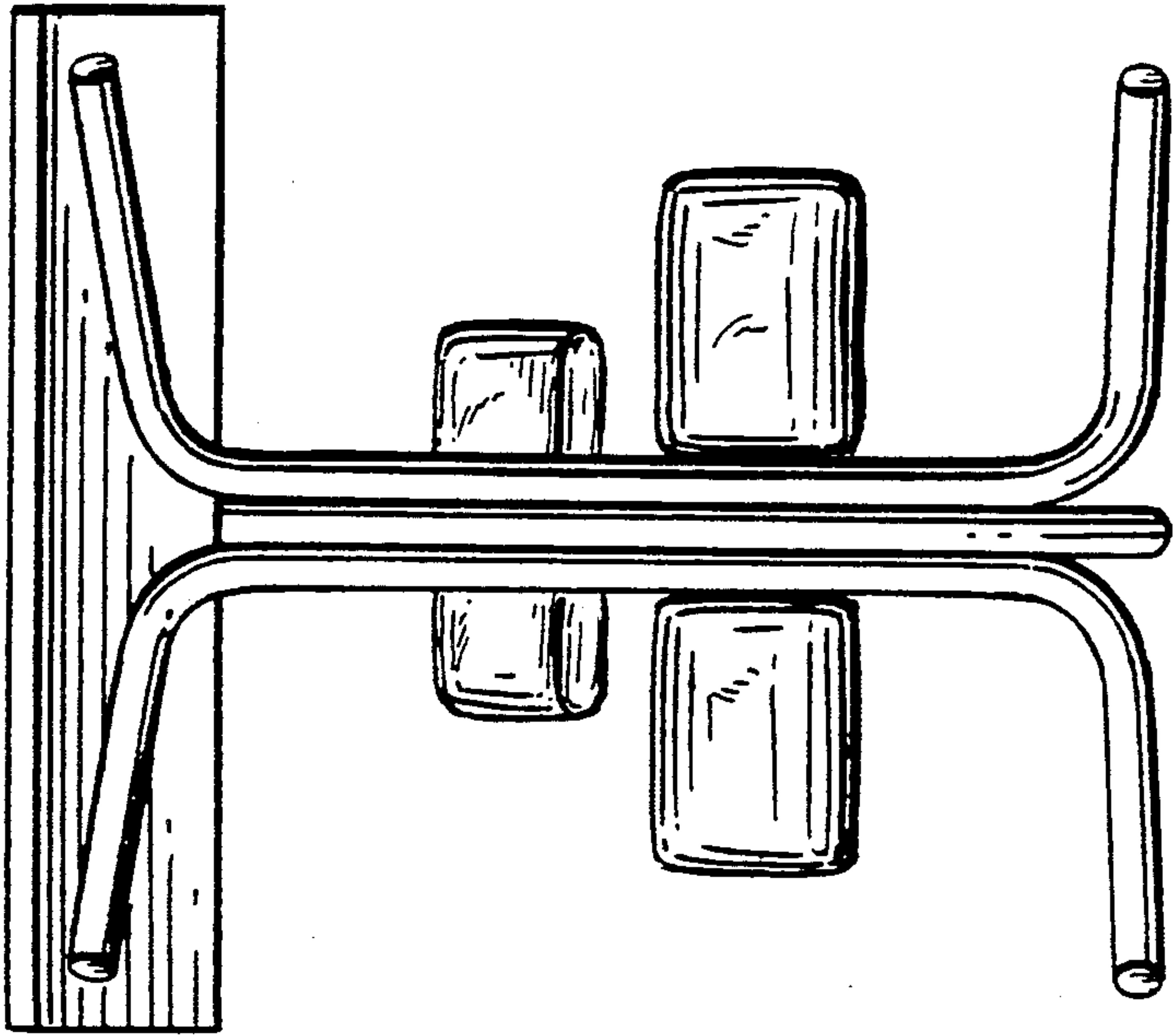


FIG. 2

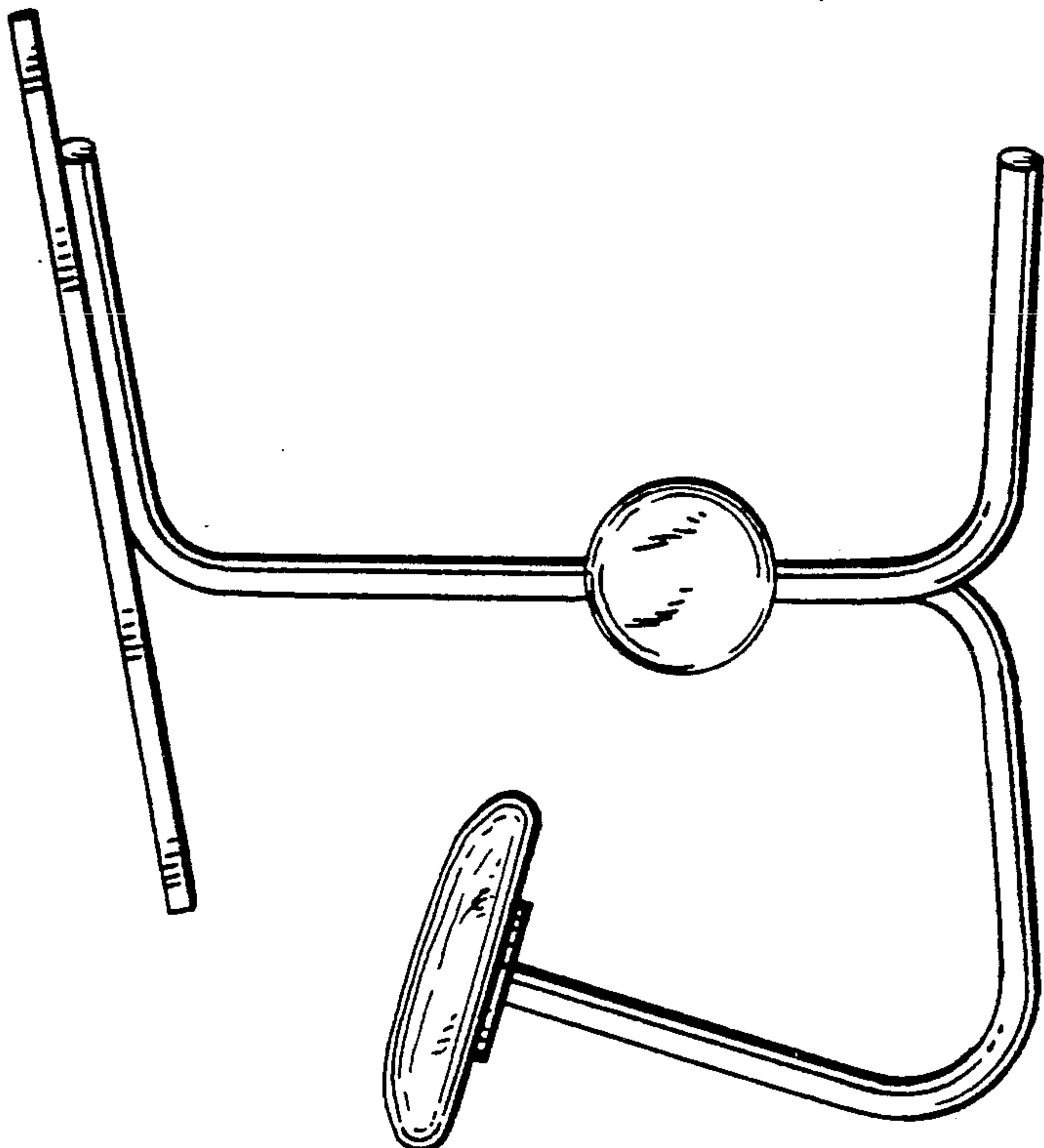


FIG. 4

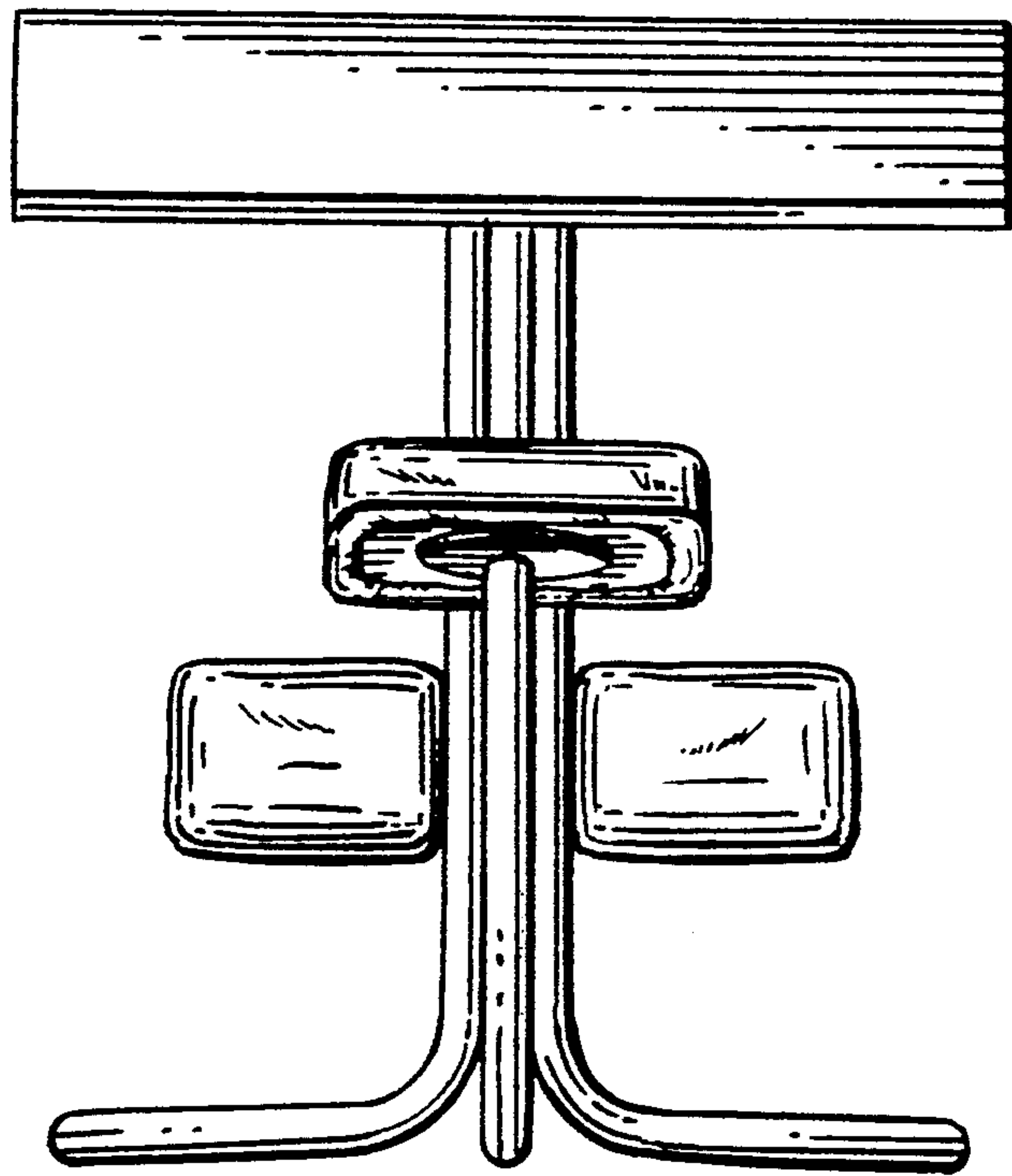


FIG. 5

