

[54] GARMEN HANGER

[75] Inventor: Neil S. Owen, Halifax, Great Britain

[73] Assignee: Pandy Plastic Products Limited, Shotton, England

[**] Term: 14 Years

[21] Appl. No.: 362,836

[22] Filed: Jun. 7, 1989

[30] Foreign Application Priority Data

Dec. 8, 1988 [GB] United Kingdom 1055557
 [52] U.S. Cl. D6/326; D6/315
 [58] Field of Search D6/315, 326; 211/113;
 223/85, 95, 96

[56] References Cited

U.S. PATENT DOCUMENTS

D. 187,092 1/1960 Charack D6/315
 D. 246,817 1/1978 Mainetti D6/326
 D. 260,342 8/1981 Eiley et al. D6/326

866,754 9/1907 Wedmore 223/95
 2,238,528 4/1941 Knudsen 223/95
 4,703,878 11/1987 Louw 223/95

Primary Examiner—B. J. Bullock
Attorney, Agent, or Firm—Abelman Frayne & Schwab

[57] CLAIM

The ornamental design for a garment hanger, as shown and described.

DESCRIPTION

FIG. 1 is a front elevational view of a garment hanger showing my new design;
 FIG. 2 is a top plan view thereof;
 FIG. 3 is a rear elevation thereof;
 FIG. 4 is a partial end elevation taken in the direction of arrow 4 of FIG. 1;
 FIG. 5 is an enlarged sectional view taken on line 5—5 of FIG. 1;
 FIG. 6 is an enlarged sectional view taken on line 6—6 of FIG. 1;
 FIG. 7 is an enlarged sectional view taken in the direction of the arrows on line 7—7 of FIG. 1.

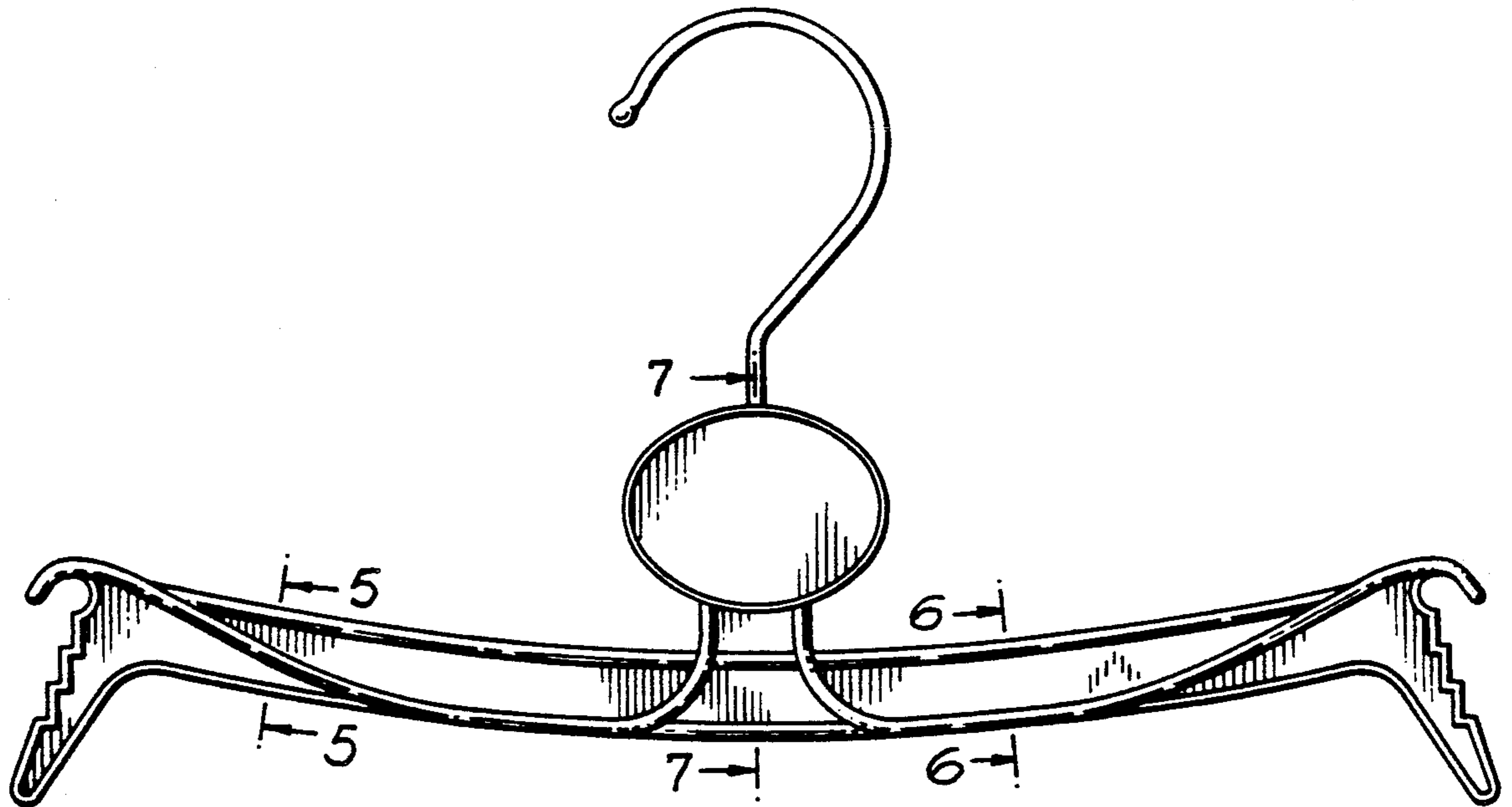


FIG. 2



FIG. 1

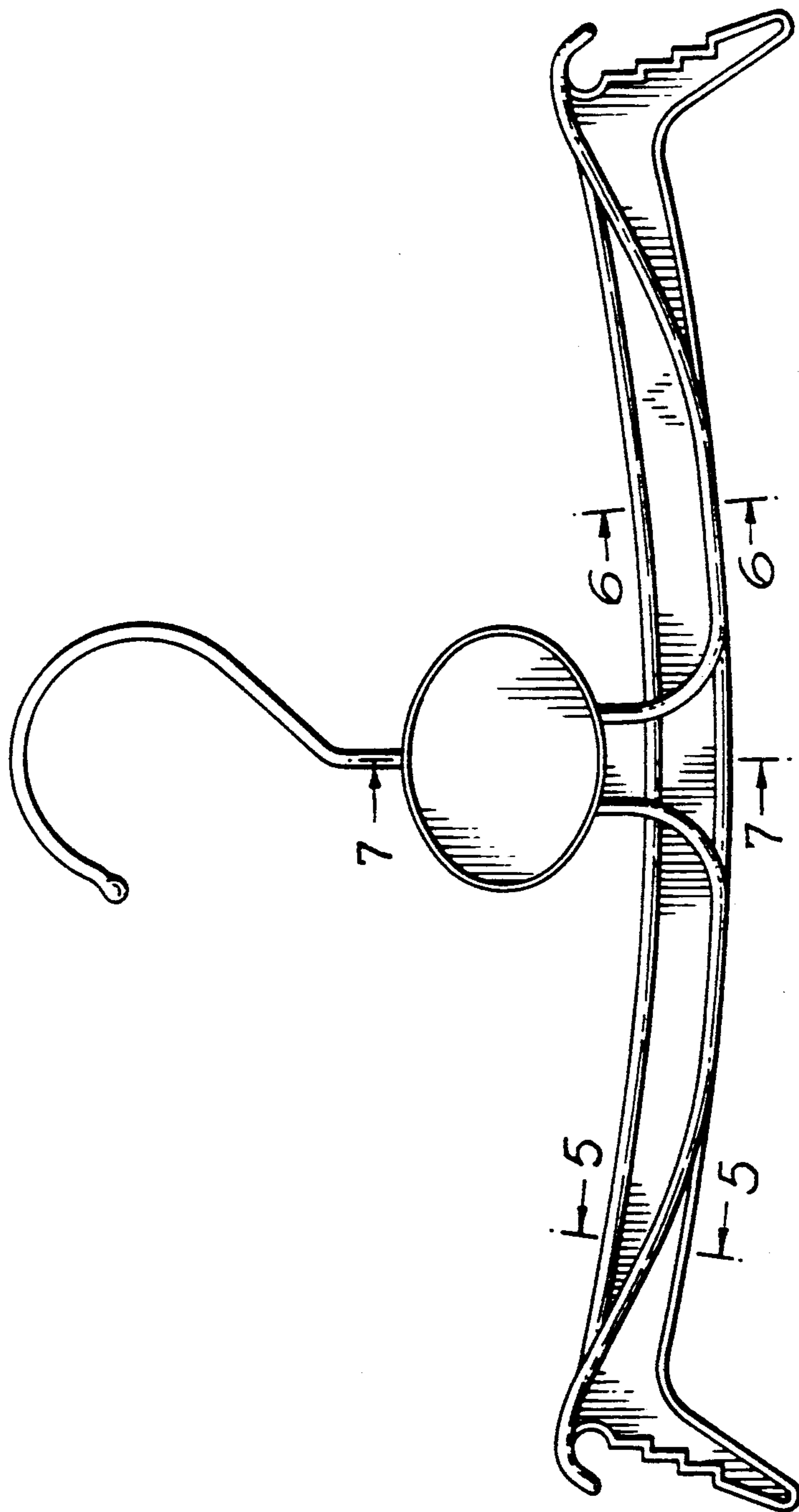


FIG. 4





FIG. 7

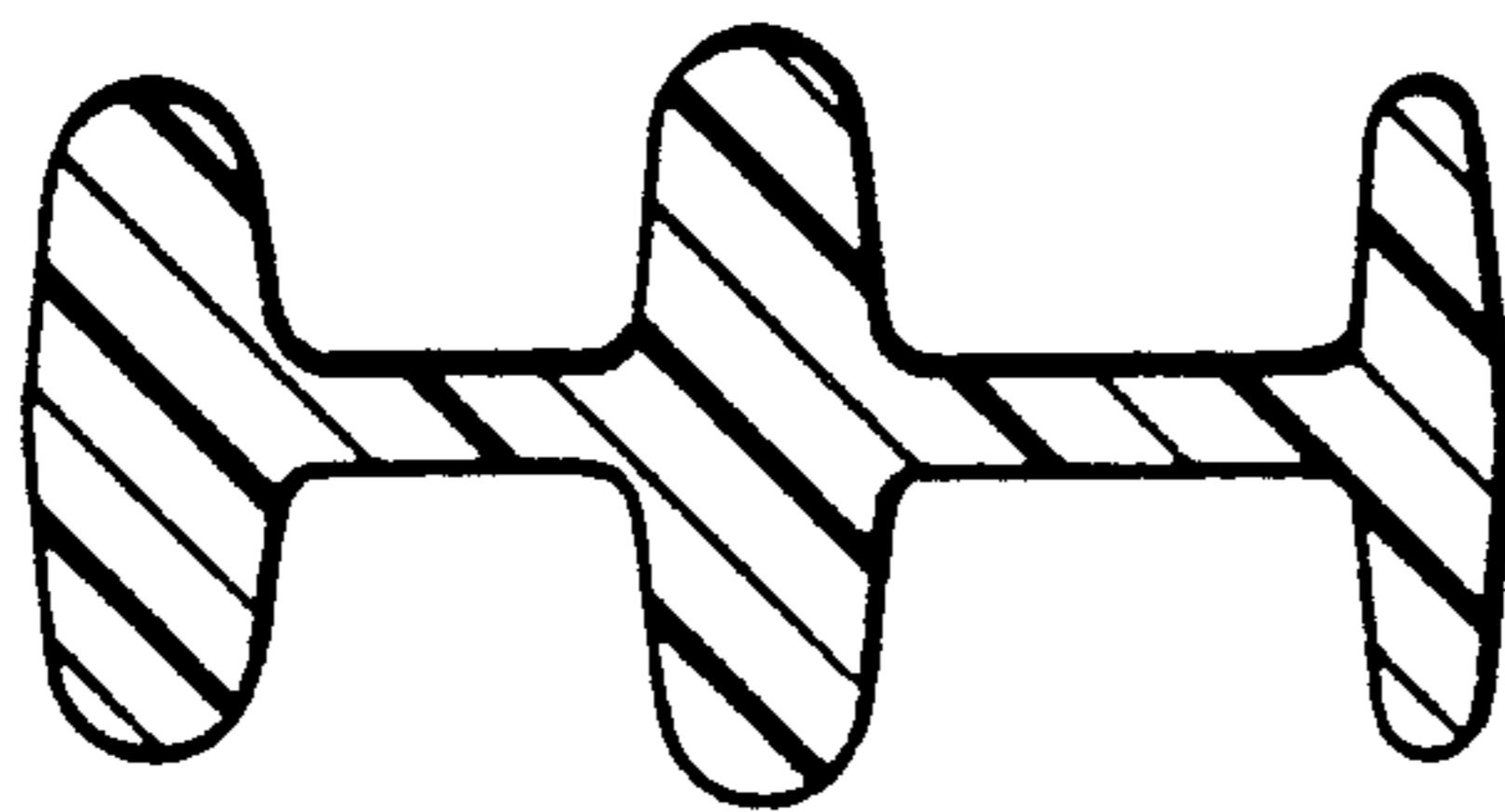


FIG. 5

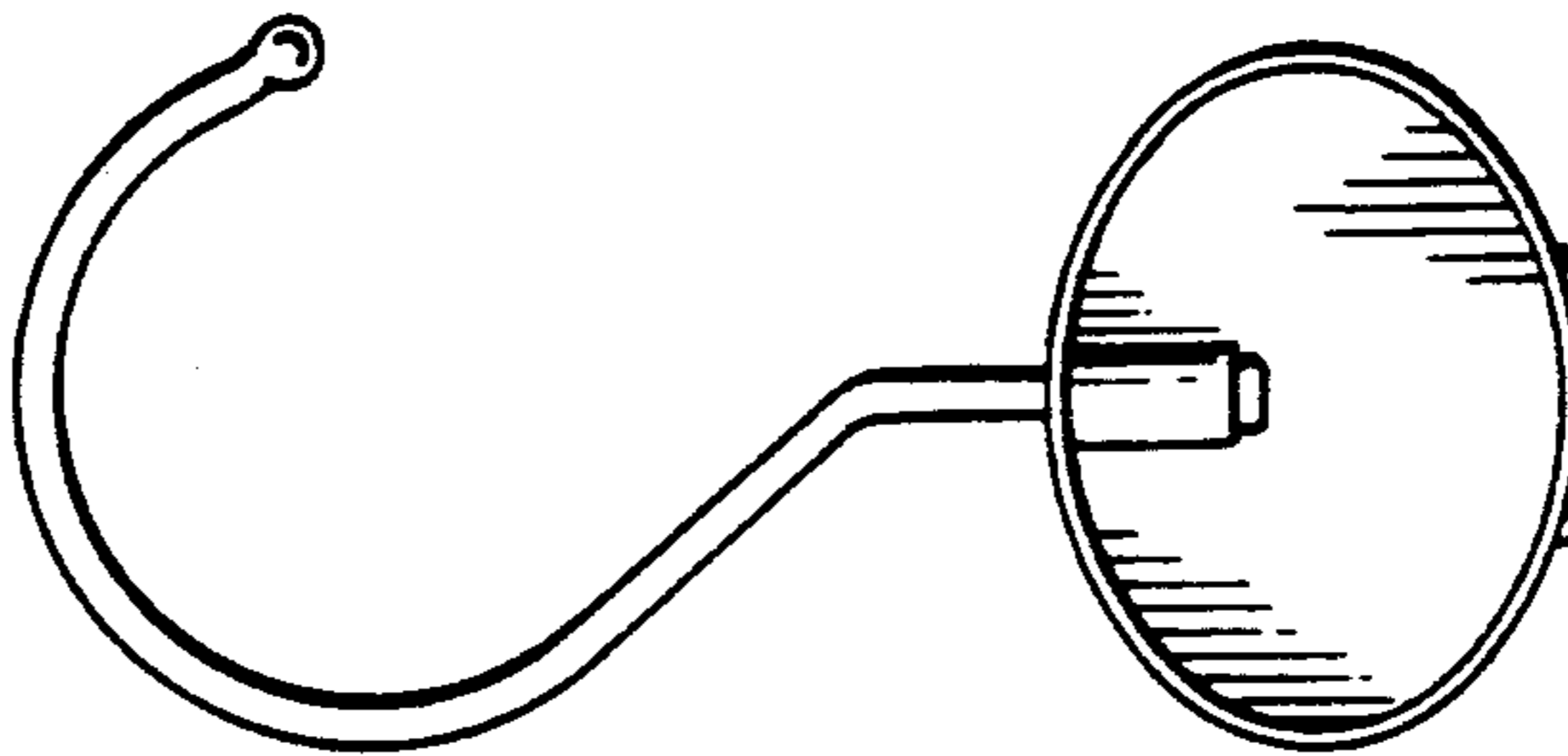


FIG. 3

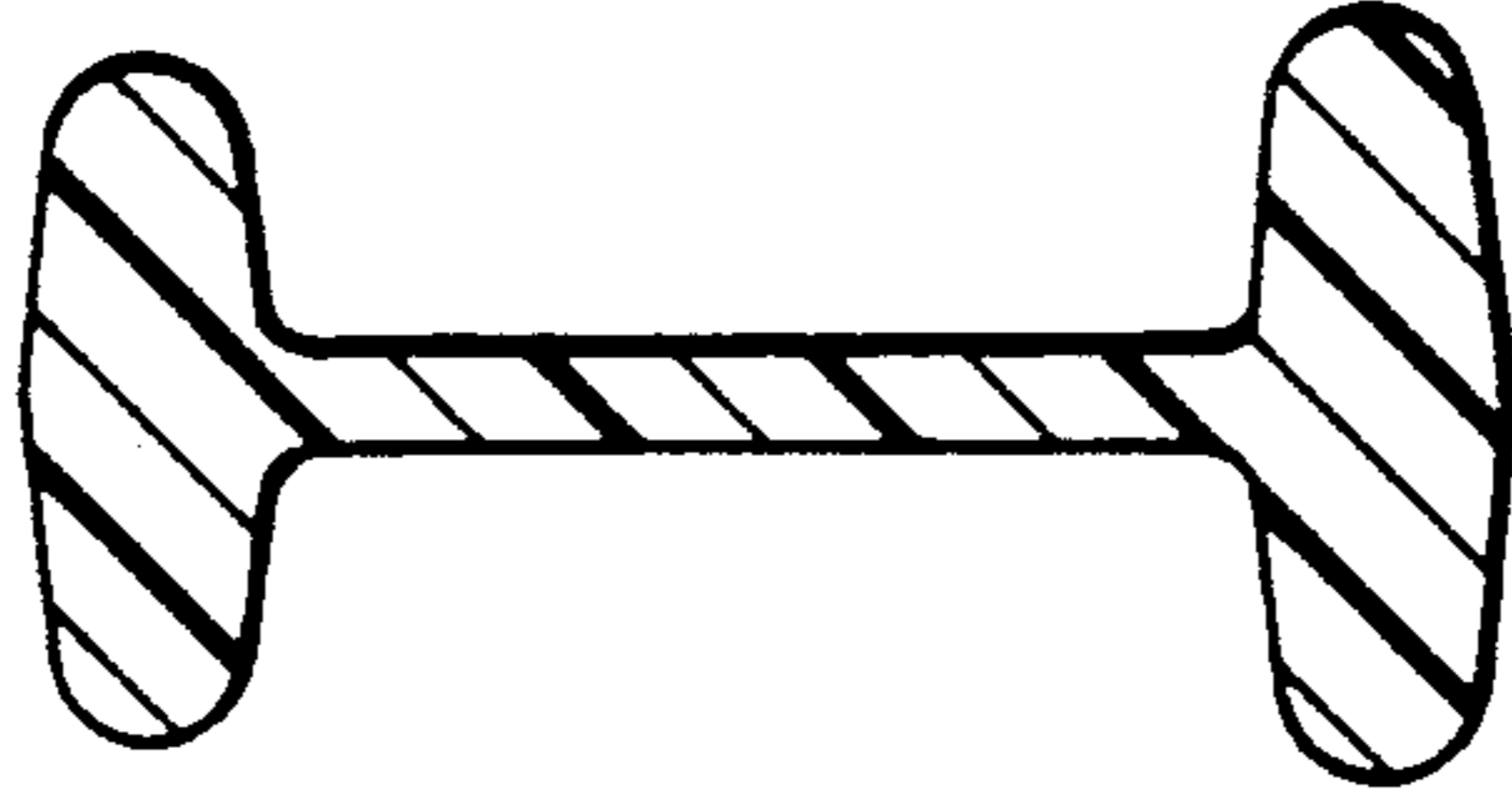


FIG. 6

