

[54] COMBINED TOOTHBRUSH, TOOTHPASTE DISPENSER AND BRISTLE CAP THEREFOR

[76] Inventor: Chin-O Cheng, No. 179, Kang-Leh Street, Tainan, Taiwan

[\*\*] Term: 14 Years

[21] Appl. No.: 385,794

[22] Filed: Jul. 27, 1989

[30] Foreign Application Priority Data

Jun. 26, 1989 [TW] Taiwan ..... 78304226

[52] U.S. Cl. .... D4/114; D4/108

[58] Field of Search ..... D4/100-116, D4/121, 130, 132, 134, 136, 138, 199; D24/10-11; D28/64; 15/105-106, 143 R, 159 R, 159 A, 160, 167.1-167.3; 132/308-311; 206/361-362, 362.1-362.4

[56] References Cited

U.S. PATENT DOCUMENTS

D. 128,410 7/1941 Bair ..... D4/108

D. 281,653 12/1985 Baity ..... D4/108  
D. 294,433 3/1988 Demars ..... D4/108  
1,944,067 1/1934 Collins ..... 401/271 X  
2,272,641 2/1942 Muraeu ..... D4/121 X

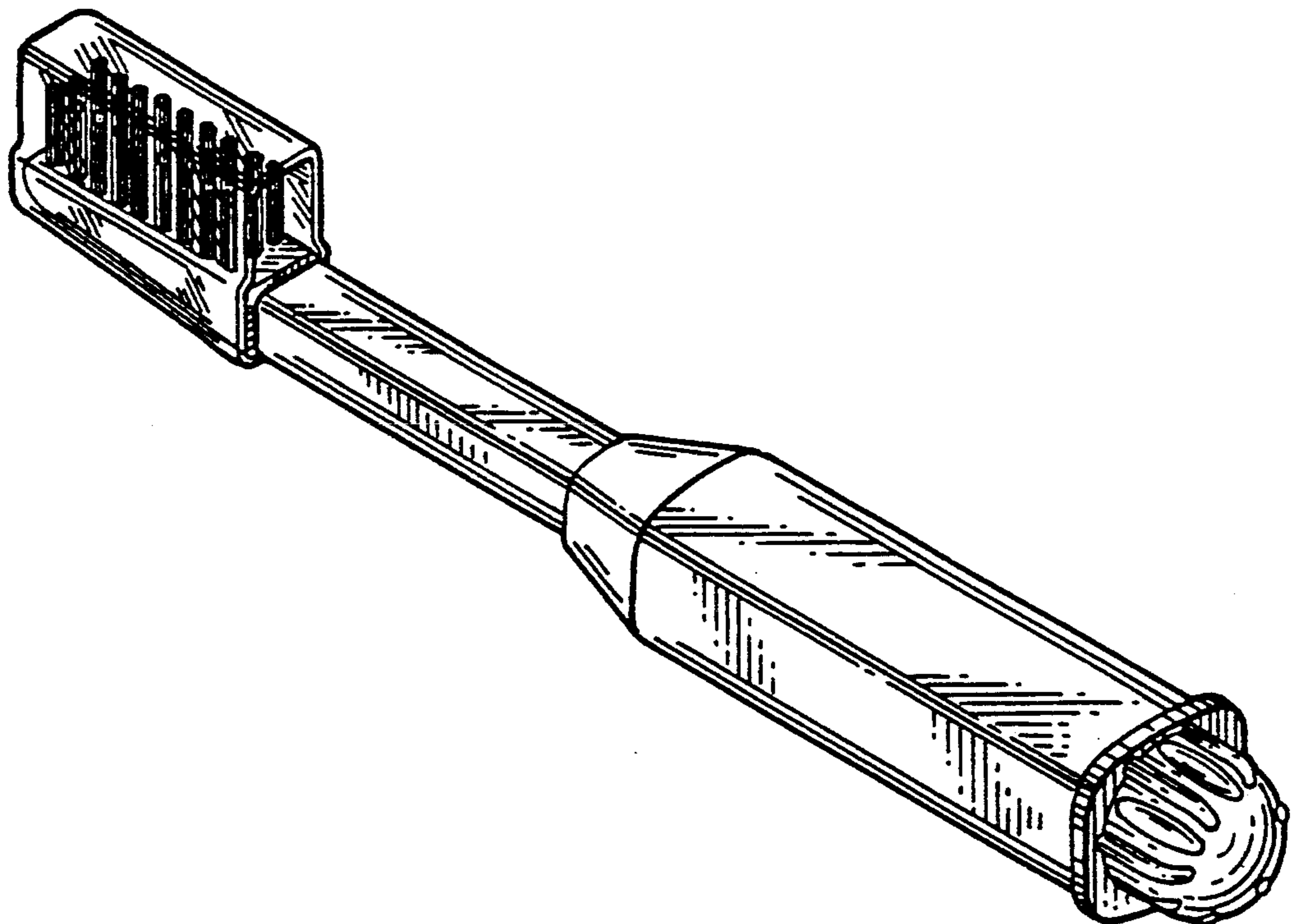
Primary Examiner—Wallace R. Burke  
Assistant Examiner—Lavone D. Tabor  
Attorney, Agent, or Firm—Bacon & Thomas

[57] CLAIM

The ornamental design for a combined toothbrush, toothpaste dispenser and bristle cap therefor, as shown.

DESCRIPTION

FIG. 1 is a perspective view of a combined toothbrush, toothpaste dispenser, and bristle cap therefor showing my new design;  
FIG. 2 is a front elevational view thereof;  
FIG. 3 is a rear elevational view thereof;  
FIG. 4 is an end elevational view as seen from the left of FIG. 2;  
FIG. 5 is an elevational view of the opposite end thereof;  
FIG. 6 is a top plan view thereof; and  
FIG. 7 is a bottom plan view thereof.



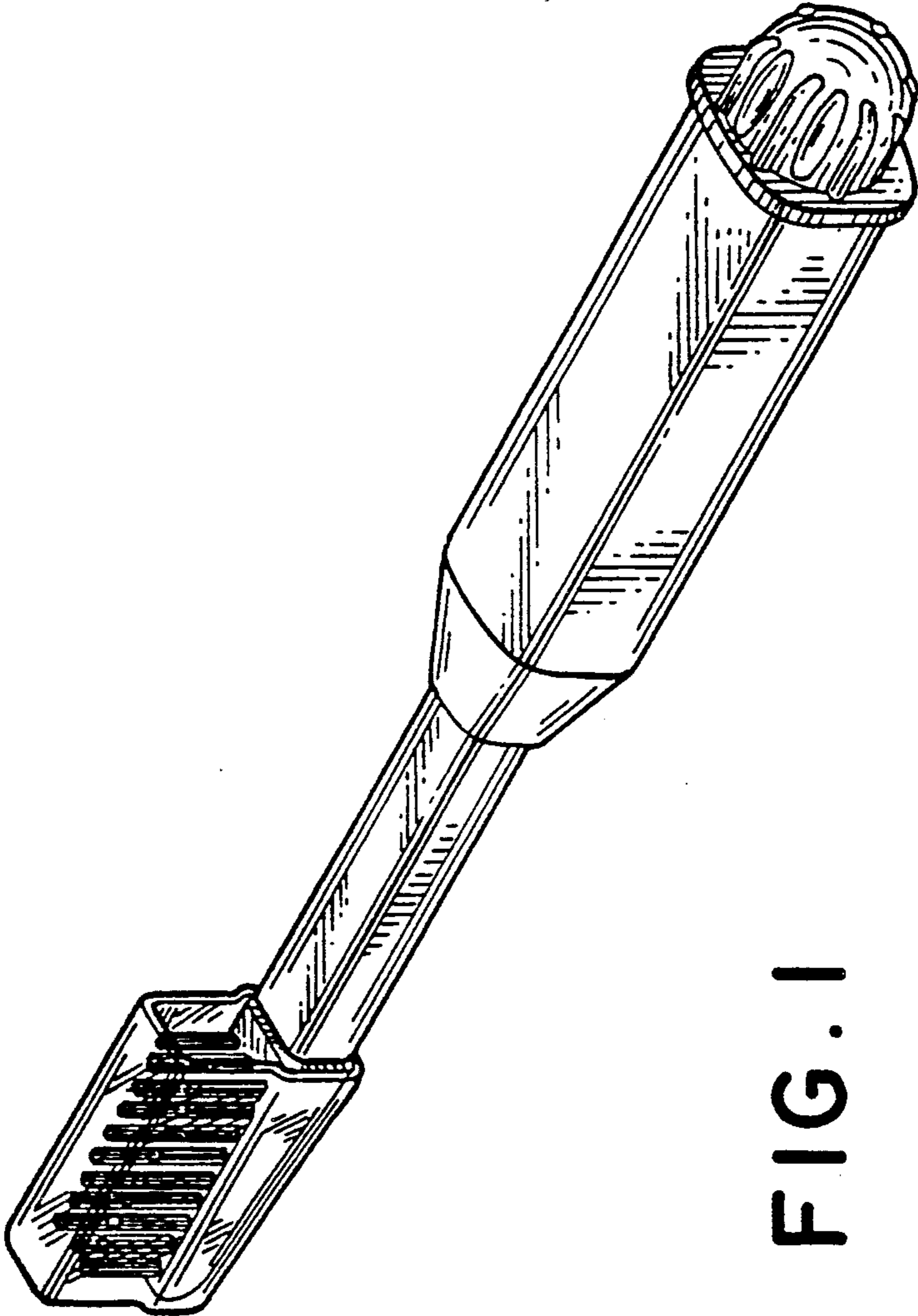


FIG. 1

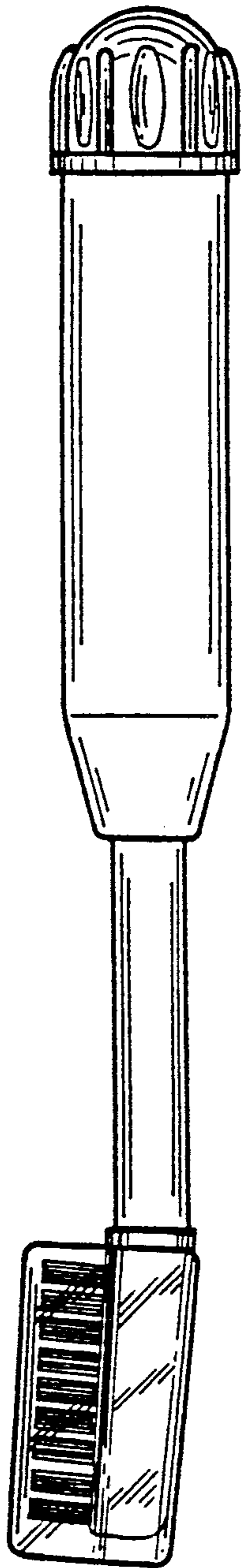


FIG. 2

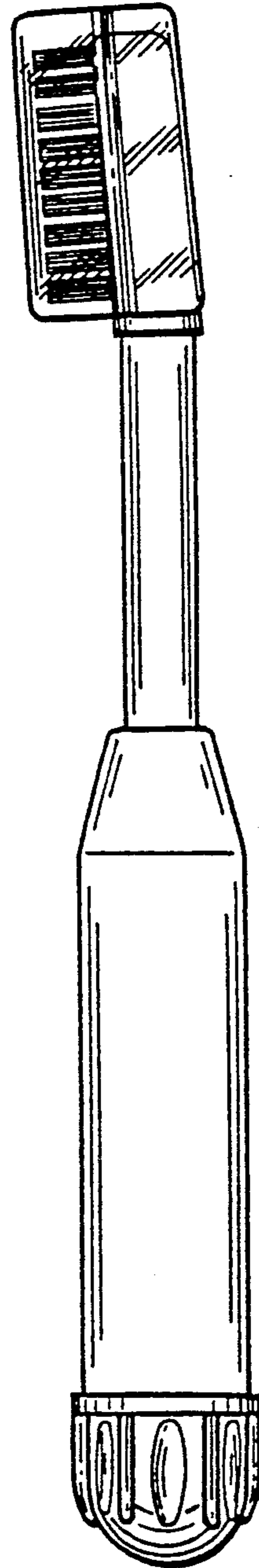


FIG. 3

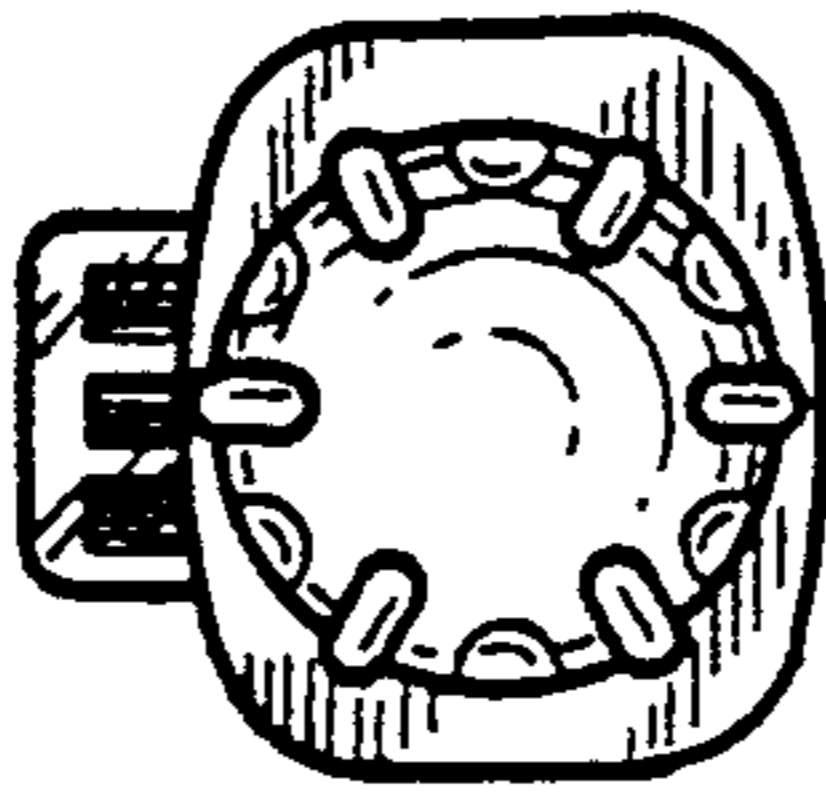


FIG. 5

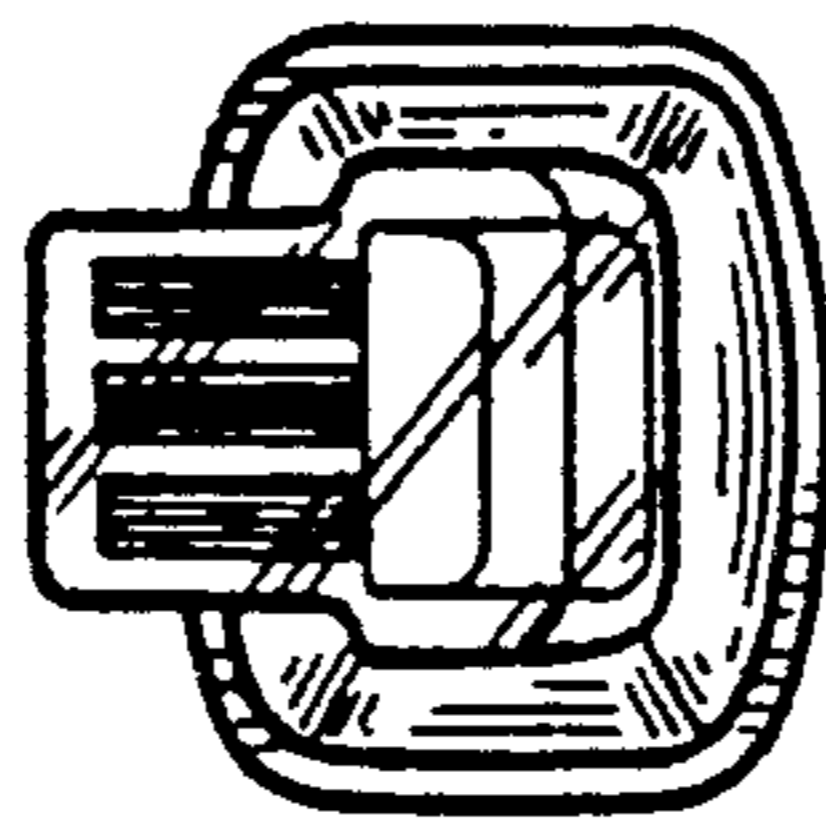


FIG. 4

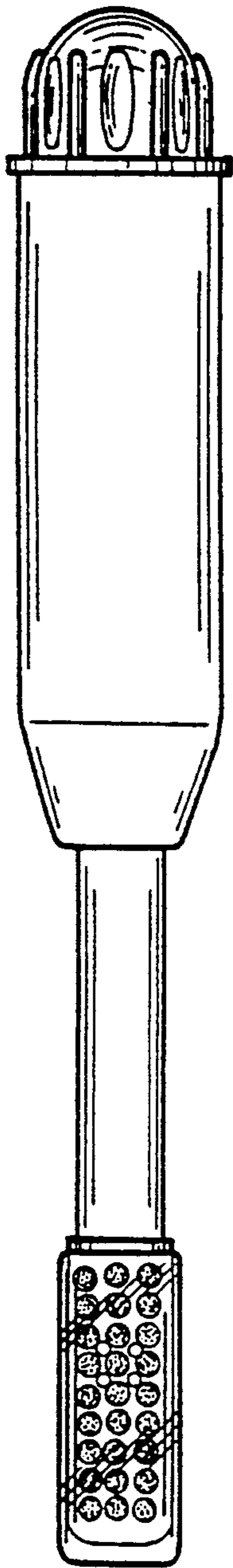


FIG. 6

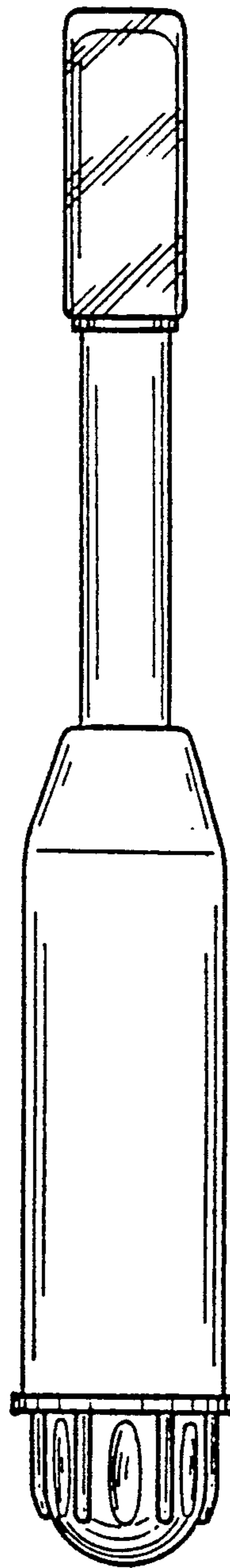


FIG. 7