

[54] COMBINED BALL HOLDER AND SET OF GAME BALLS

[76] Inventor: Mario D'Angeli, 2722 Lucile Dr., Stockton, Calif. 95209

[\*\*] Term: 14 Years

[21] Appl. No.: 371,016

[22] Filed: Jun. 26, 1989

[52] U.S. Cl. .... D3/36; D3/30.1; D21/204

[58] Field of Search ..... D21/204, 205; D3/104, D3/36, 30.1; 224/919; 206/315.9, 315.1, 579, 486; 273/58 R; D9/341, 357, 347, 344, 345, 348

[56] References Cited

U.S. PATENT DOCUMENTS

D. 123,909	12/1940	Luby	.....	D9/348
D. 268,461	4/1983	Wess et al.	.....	D3/36
D. 273,149	3/1984	Fifield	.....	D3/30.1
D. 279,047	6/1985	Soininen	.....	D3/36
3,450,406	6/1969	Brown	.....	206/315.1 X
3,980,215	9/1976	Schwarzbauer	.....	224/919 X
3,993,305	11/1976	Nicholson	.....	D21/205 X
4,591,051	5/1986	Lowman	.....	206/315.1 X
4,793,481	12/1988	Randle	.....	206/315.9

4,890,731 1/1990 Mroz ..... 206/315.9

FOREIGN PATENT DOCUMENTS

602970	8/1960	Canada	.....	273/241
2568481	2/1986	France	.....	273/58 R
227180	1/1925	United Kingdom	.....	224/919

OTHER PUBLICATIONS

Hong Kong Toys Catalog 1984, p. 119, middle photo at left, carrying case.

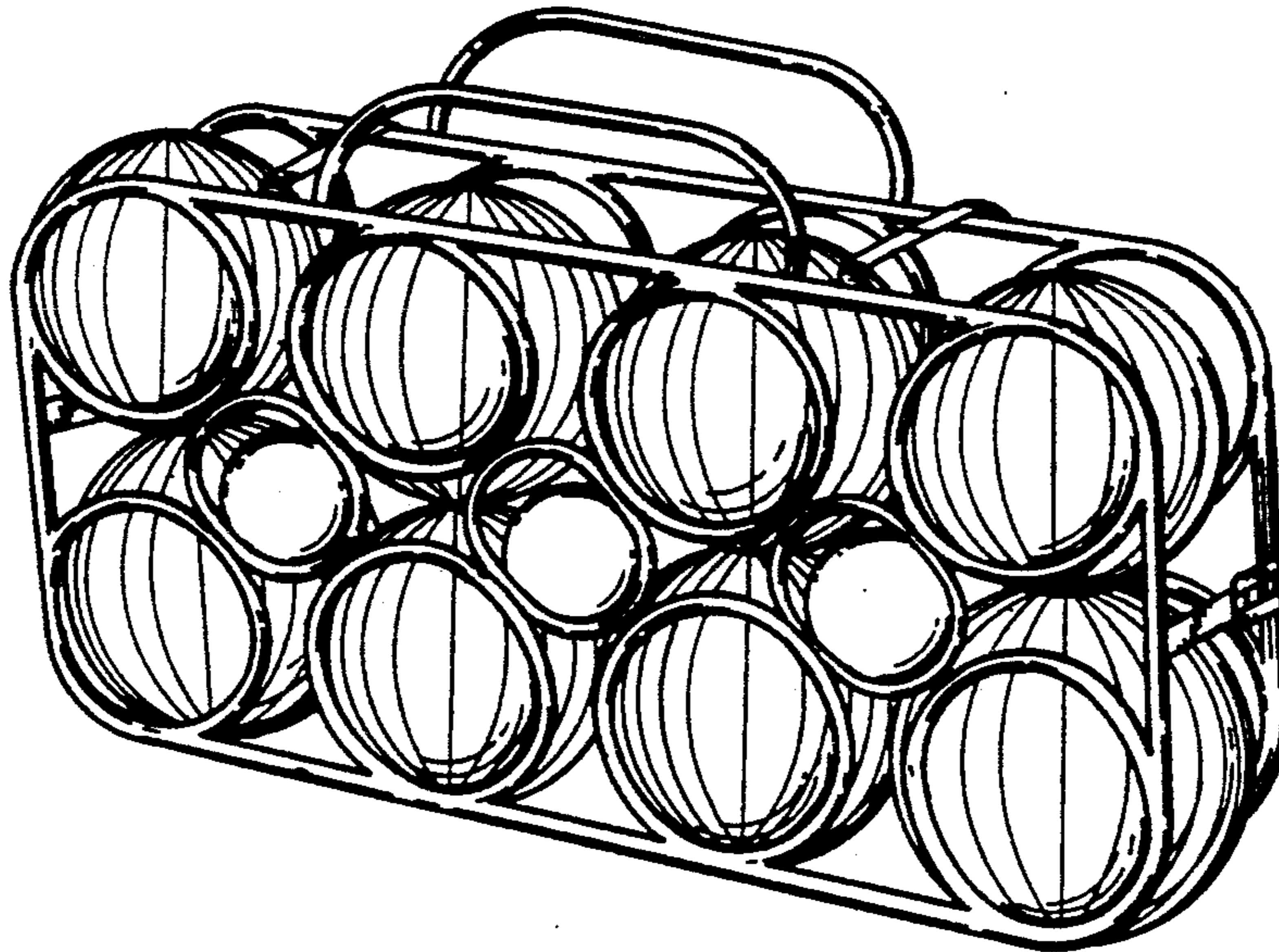
Primary Examiner—Bernard Ansher  
Assistant Examiner—Lucy Lieberman  
Attorney, Agent, or Firm—Basil Travis

[57] CLAIM

The ornamental design for a combined ball holder and set of game balls, as shown and described.

DESCRIPTION

FIG. 1 is a side perspective view of a combined ball holder and set of game balls as viewed from the top and one end;  
FIG. 2 is a perspective view of the opposite side thereof as viewed from the bottom and opposite end;  
FIG. 3 is an elevational view of one end thereof; and  
FIG. 4 is an elevational view of the opposite end thereof.



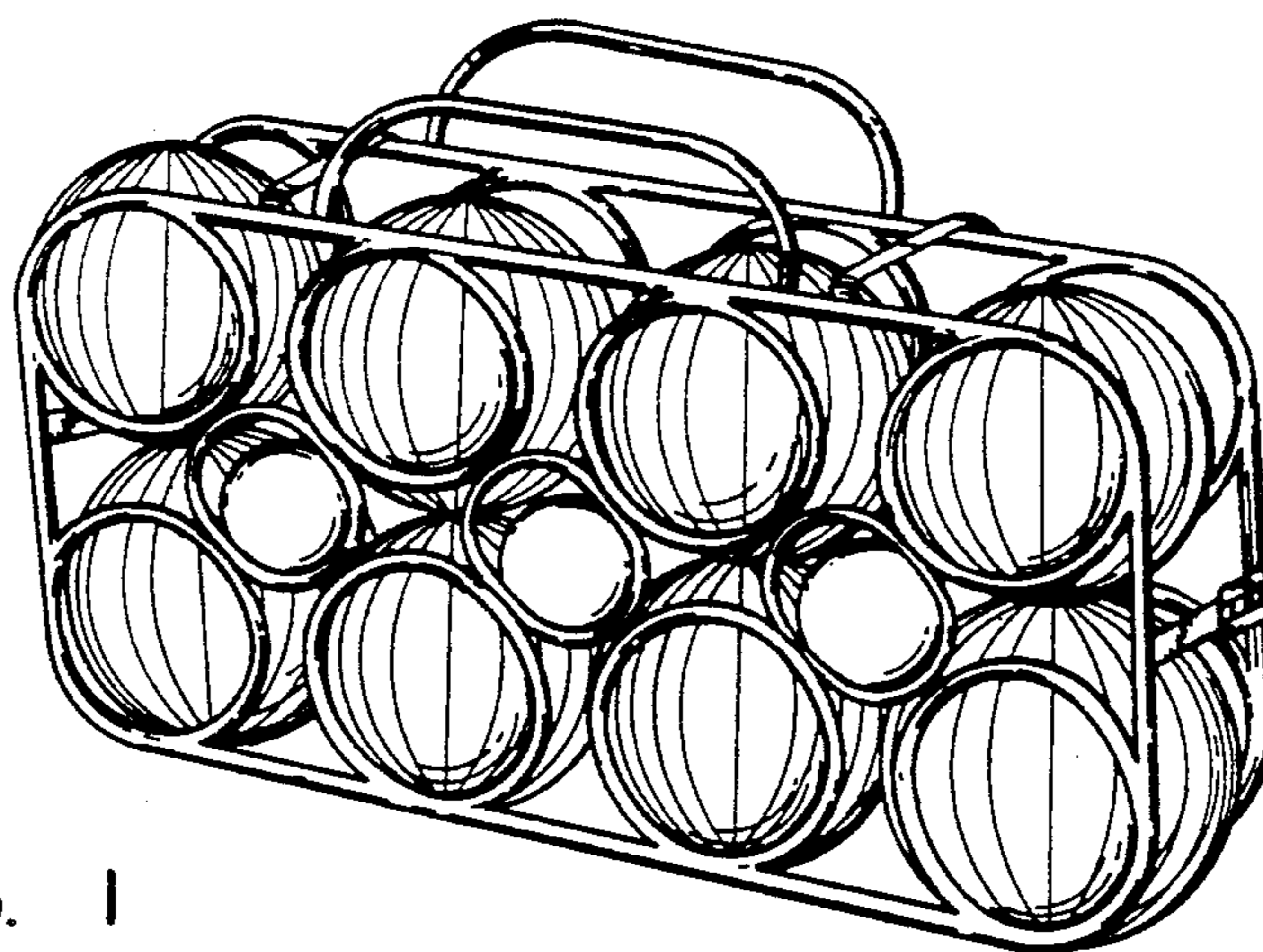


FIG. 1

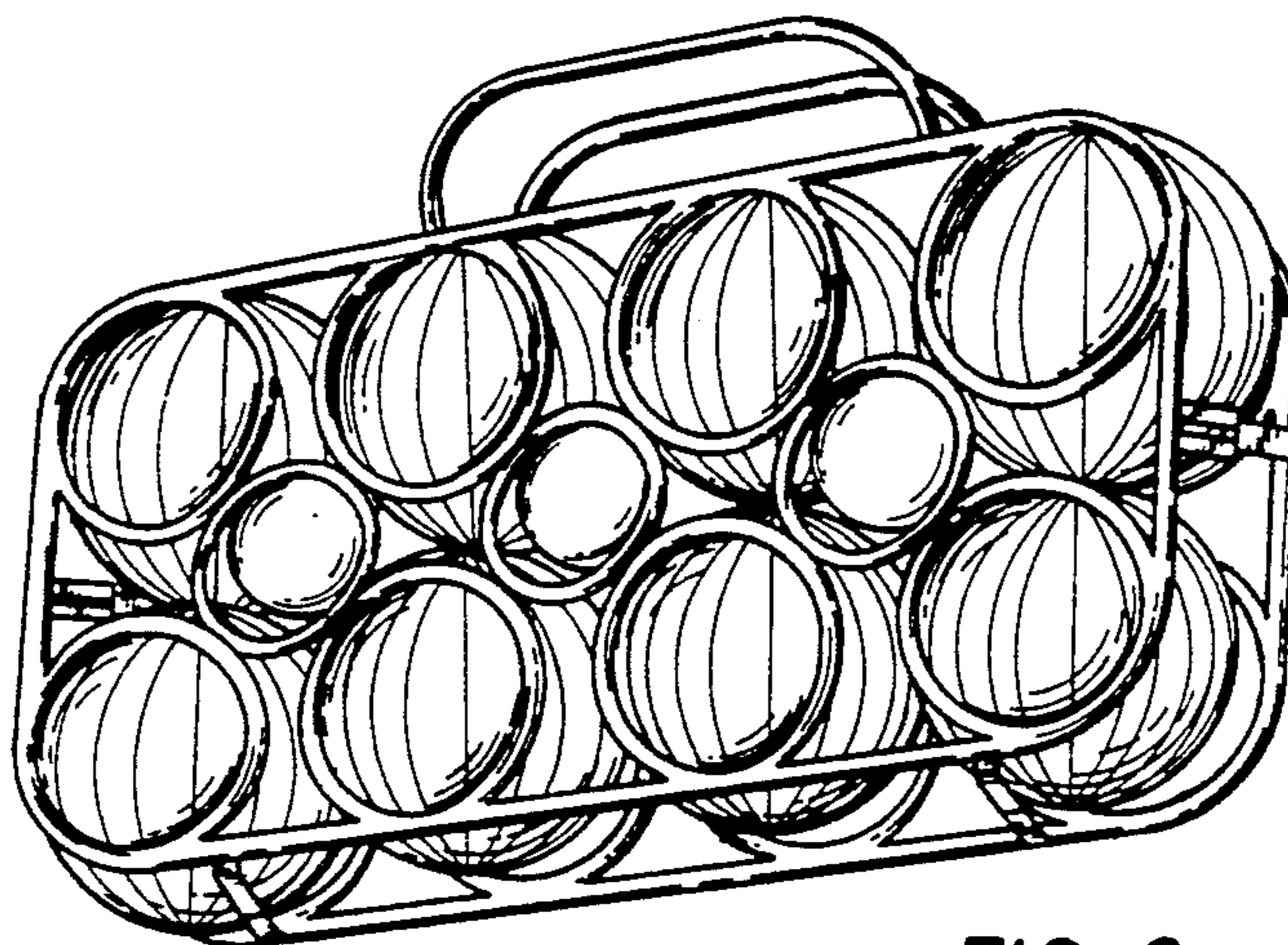


FIG. 2

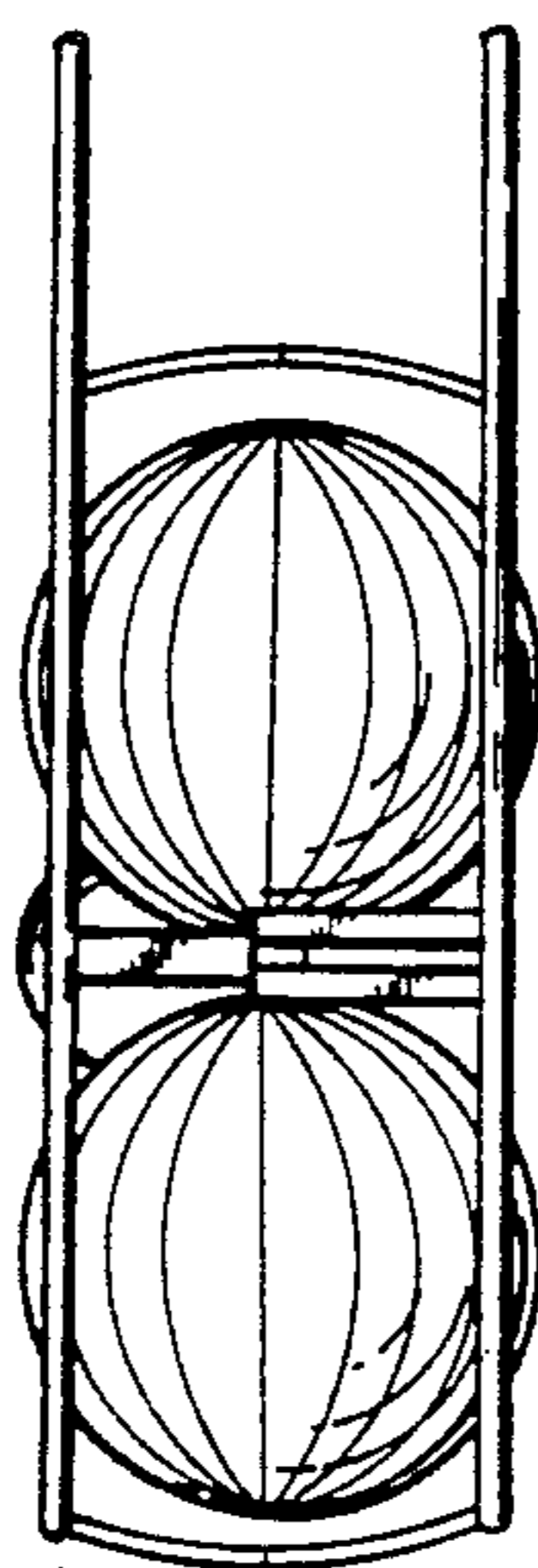


FIG. 3

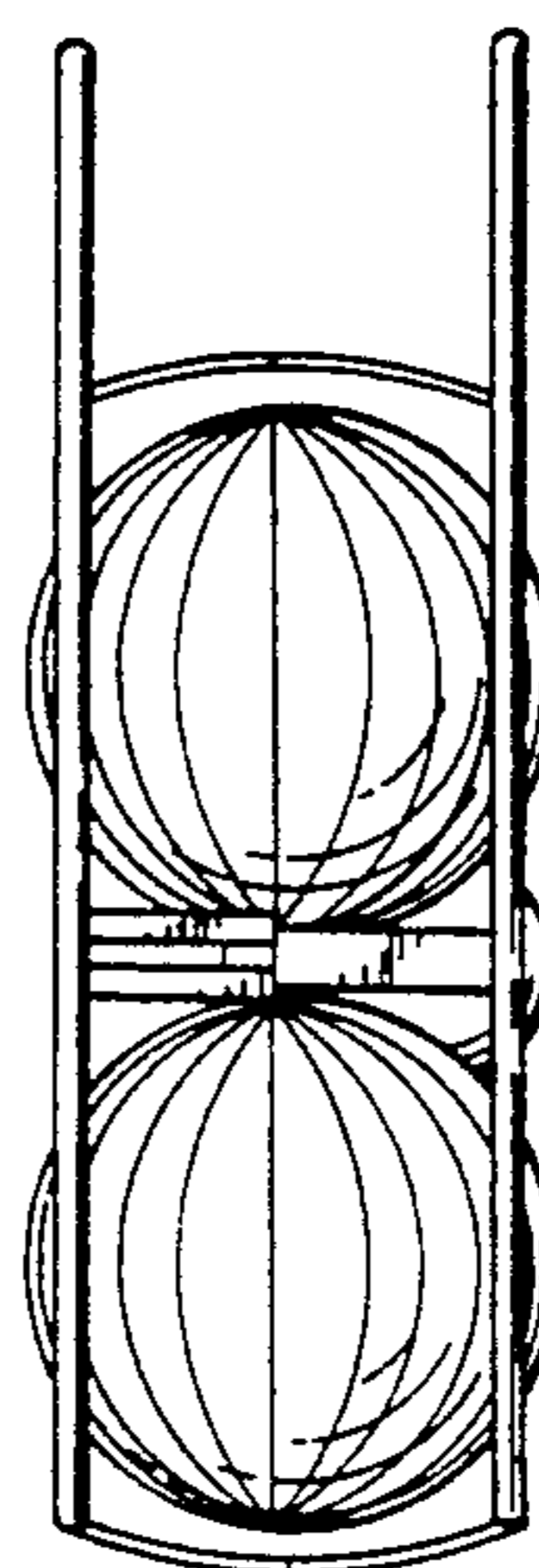


FIG. 4