

- [54] **SOFT CASE FOR A HAND HELD COMPUTER**
- [75] **Inventor: Graham P. Lloyd, Fremont, Calif.**
- [73] **Assignee: Grid Systems Corporation, Fremont, Calif.**
- [\*\*] **Term: 14 Years**
- [21] **Appl. No.: 365,056**
- [22] **Filed: Jun. 12, 1989**
- [52] **U.S. Cl. .... D3/35; D3/30.1**
- [58] **Field of Search ..... D3/30.1, 35, 74, 76; 206/328, 305**

[56] **References Cited**  
**U.S. PATENT DOCUMENTS**

D. 232,523	8/1974	Nudell .....	D3/74
D. 257,080	9/1980	Schmidt .....	D3/35
D. 308,913	7/1990	Kirchner .....	D3/35
4,259,568	3/1981	Dynesen .....	206/305
4,762,227	8/1988	Patterson .....	206/305
4,768,648	9/1988	Glass .....	206/305

**FOREIGN PATENT DOCUMENTS**

2370450 7/1978 France ..... 206/305

**OTHER PUBLICATIONS**

Western Electric: 4-1973; p. 7, "Integrated Circuit Slipping Package", (Tech. Dig. #30).

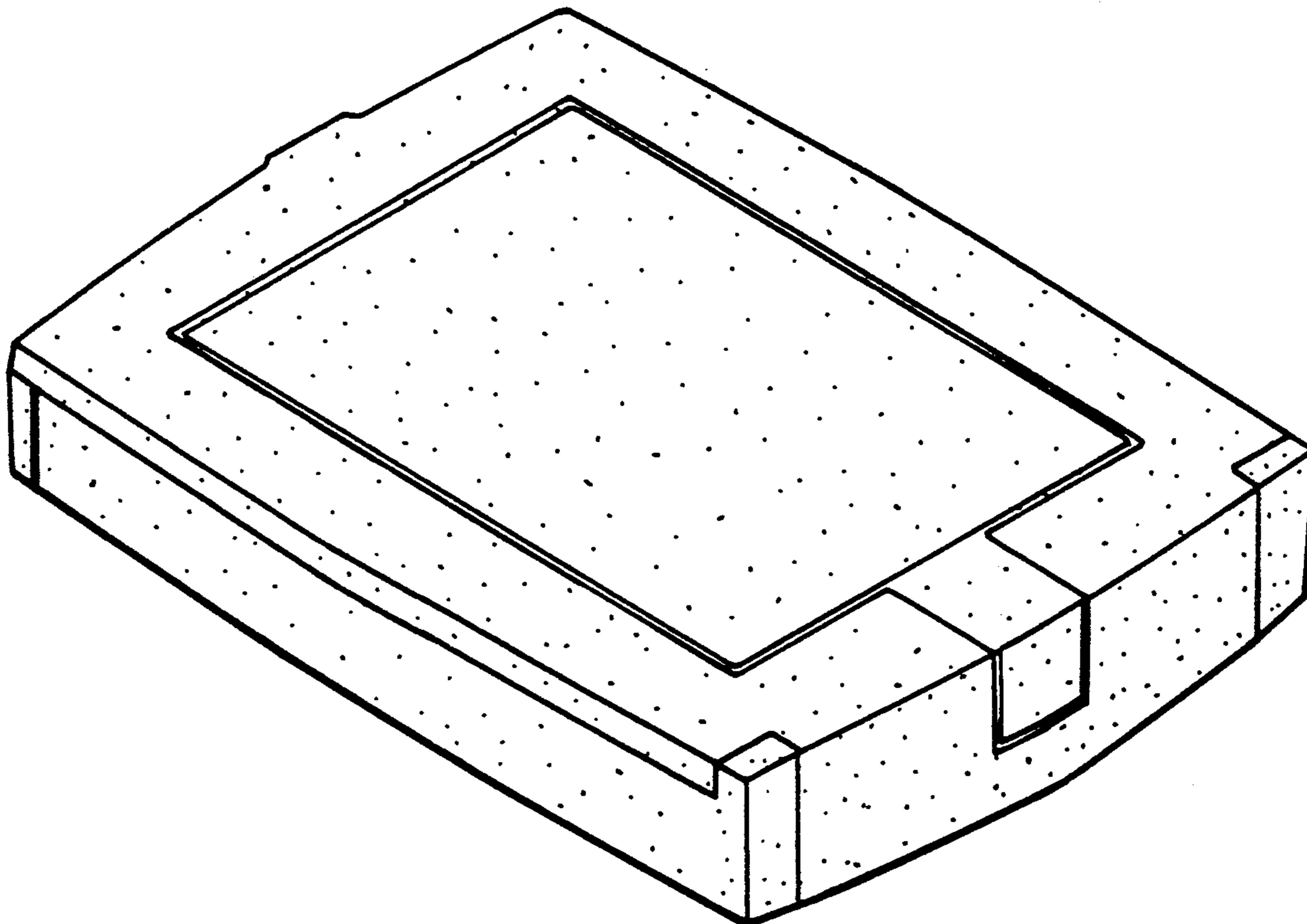
*Primary Examiner*—James R. Largen  
*Assistant Examiner*—Celia Murphy  
*Attorney, Agent, or Firm*—Townsend and Townsend

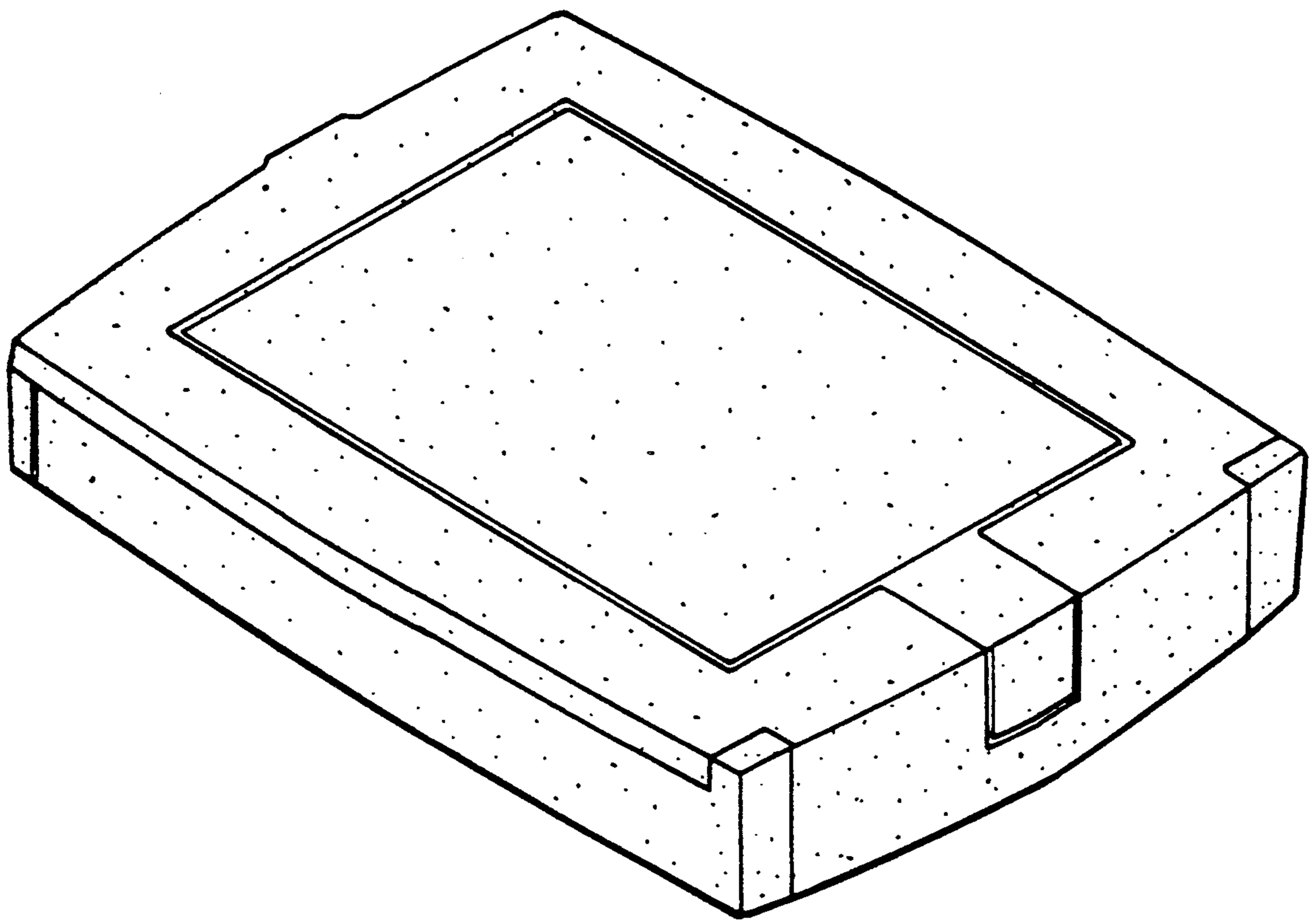
[57] **CLAIM**

The ornamental design for a soft case for a hand held computer, as shown and described.

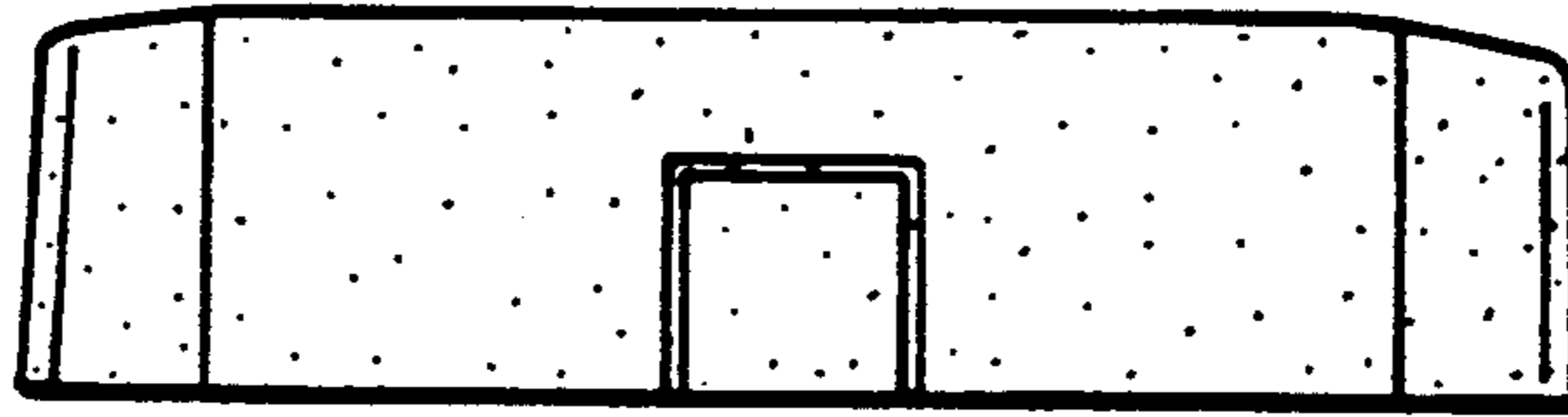
**DESCRIPTION**

FIG. 1 is a perspective view of a soft case for a hand held computer showing my new design;  
FIG. 2 is a top plan view thereof;  
FIG. 3 is a front elevational view thereof;  
FIG. 4 is a rear elevational view thereof;  
FIG. 5 is a bottom plan view thereof;  
FIG. 6 is a right side elevational view thereof; and  
FIG. 7 is a left side elevational view thereof.

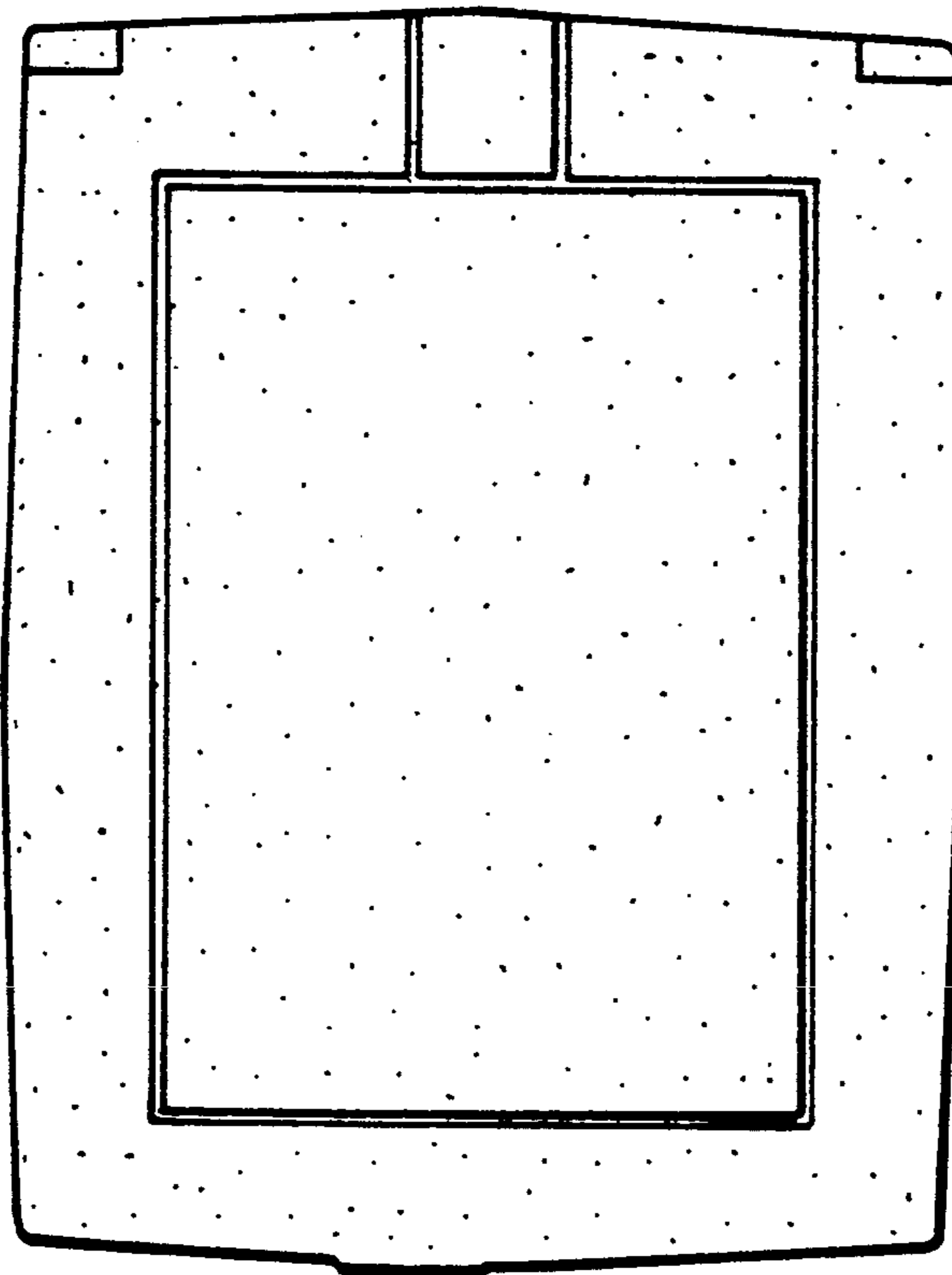




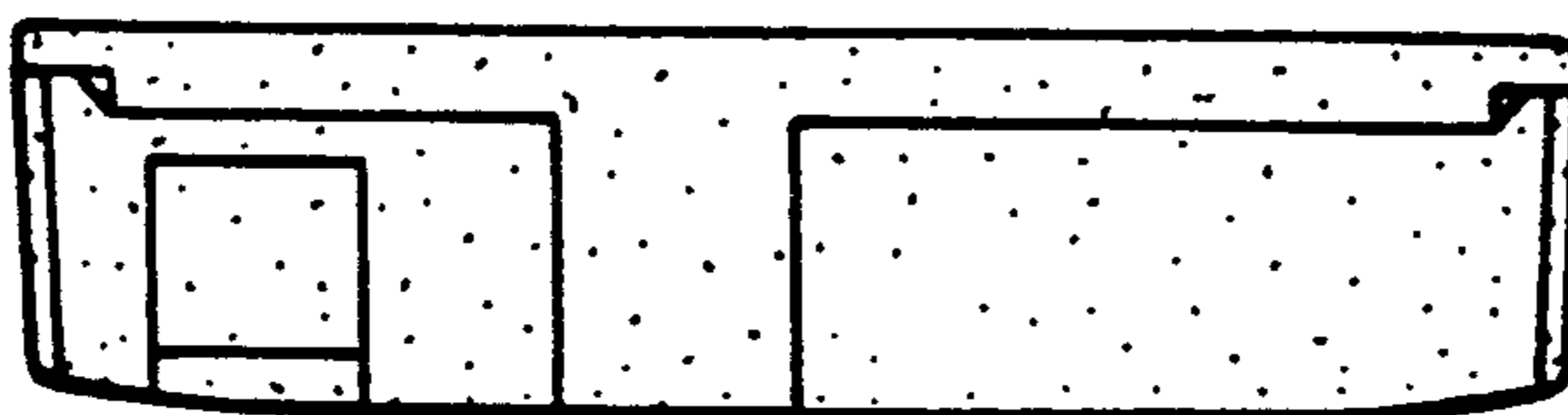
*FIG. 1.*



*FIG. 3.*



*FIG. 2.*



*FIG. 4.*

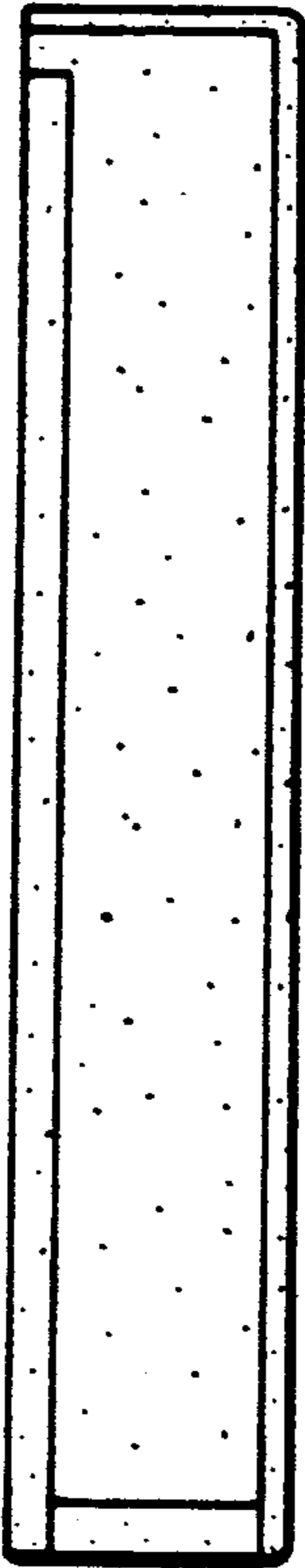


FIG. 6.

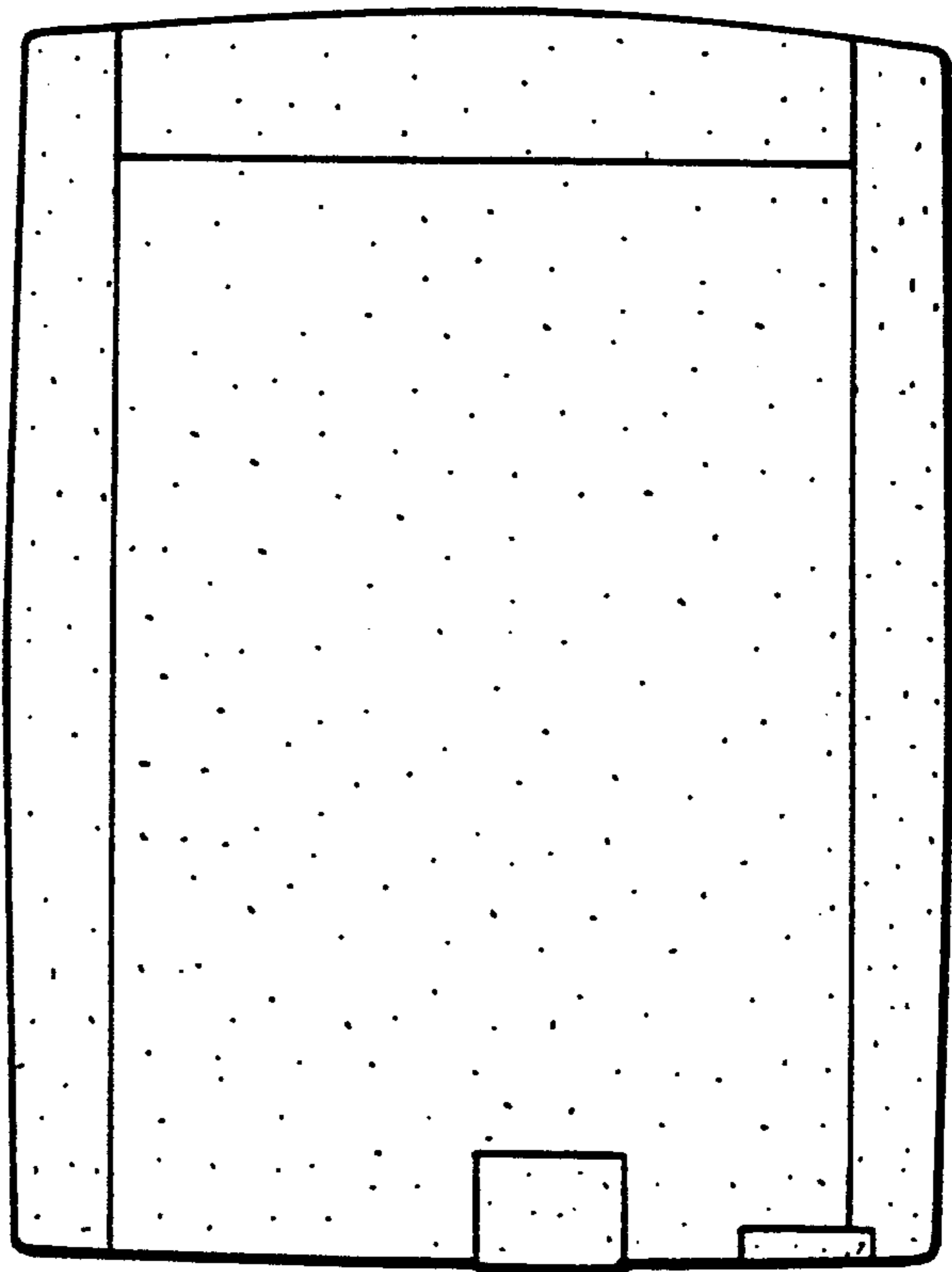


FIG. 5.

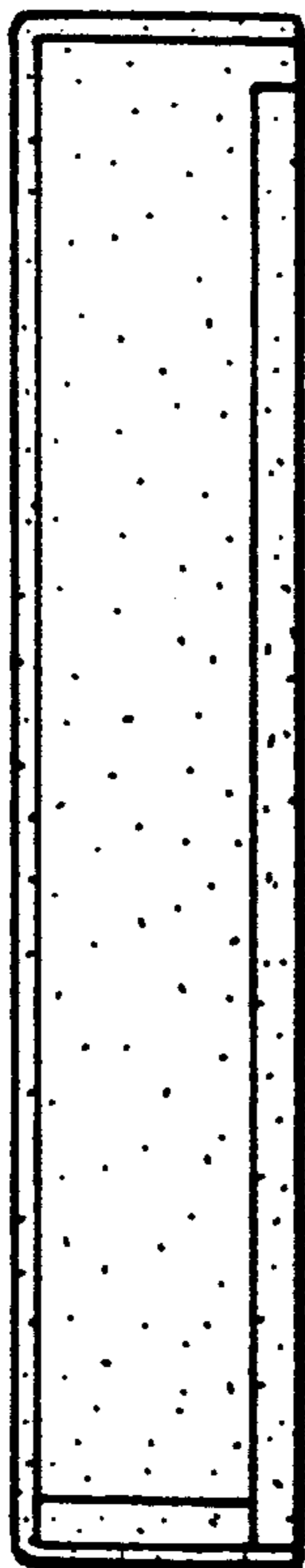


FIG. 7.