

[54] **TOOLBOX**

[75] **Inventors:** Thomas E. Hanna; Keith E. Brightbill, both of Wooster, Ohio

[73] **Assignee:** Rubbermaid Incorporated, Wooster, Ohio

[**] **Term:** 14 Years

[21] **Appl. No.:** 471,124

[22] **Filed:** Jan. 26, 1990

[52] **U.S. Cl.** D3/30.1; D3/73; D3/78

[58] **Field of Search** D3/74, 73, 36, 76, 78, D3/38, 30.1; 190/114; 206/315.11, 373, 372, 349, 374, 334, 235; 43/54.1, 57.1; 312/DIG. 33; 220/23, 521, 522; D8/71

[56] **References Cited**

U.S. PATENT DOCUMENTS

D. 158,368	5/1950	Felts et al.	D3/38
D. 218,266	8/1970	Belokin, Jr.	D3/38
D. 232,129	7/1974	Evans	D3/74
D. 237,121	10/1975	Metzner	D3/76
1,143,711	6/1915	Kennedy	190/114
1,171,071	2/1916	Schumacher	190/114
1,316,335	9/1919	Schoenborn	190/114

FOREIGN PATENT DOCUMENTS

104167 3/1942 Sweden 312/DIG. 33

OTHER PUBLICATIONS

Flambeau catalog, 1989, Flambeau Products Corpora-

tion, Hardware Division, 15981 Valplast Rd., Middlefield, Ohio 44062.

Contico catalog, 1989, Contico, St. Louis, Mo. 63132. Disston brochure, 1989, The Disston Company, P.O. Box 3000, Danville, Va. 24543.

MTM Tool Gard brochure, MTM Molded Products Company, P.O. Box 14117, Dayton, Ohio 45414.

GSC brochure, GSC Technology Corporation, Champlain, N.Y.

Ekco catalog, 1989, Ekco Specialty Products, 165 W. Chicago Avenue, Chicago, Ill. 60610

Primary Examiner—Louis S. Zarfes

Assistant Examiner—M. N. Pandozzi

Attorney, Agent, or Firm—Renner, Kenner, Greive, Bobak, Taylor & Weber

[57] **CLAIM**

The ornamental design for a toolbox, as shown and described.

DESCRIPTION

FIG. 1 is a top, front, right perspective view of a toolbox showing our new design;

FIG. 2 is a front elevational view thereof;

FIG. 3 is a rear elevational view thereof;

FIG. 4 is a top plan view thereof;

FIG. 5 is a bottom plan view thereof;

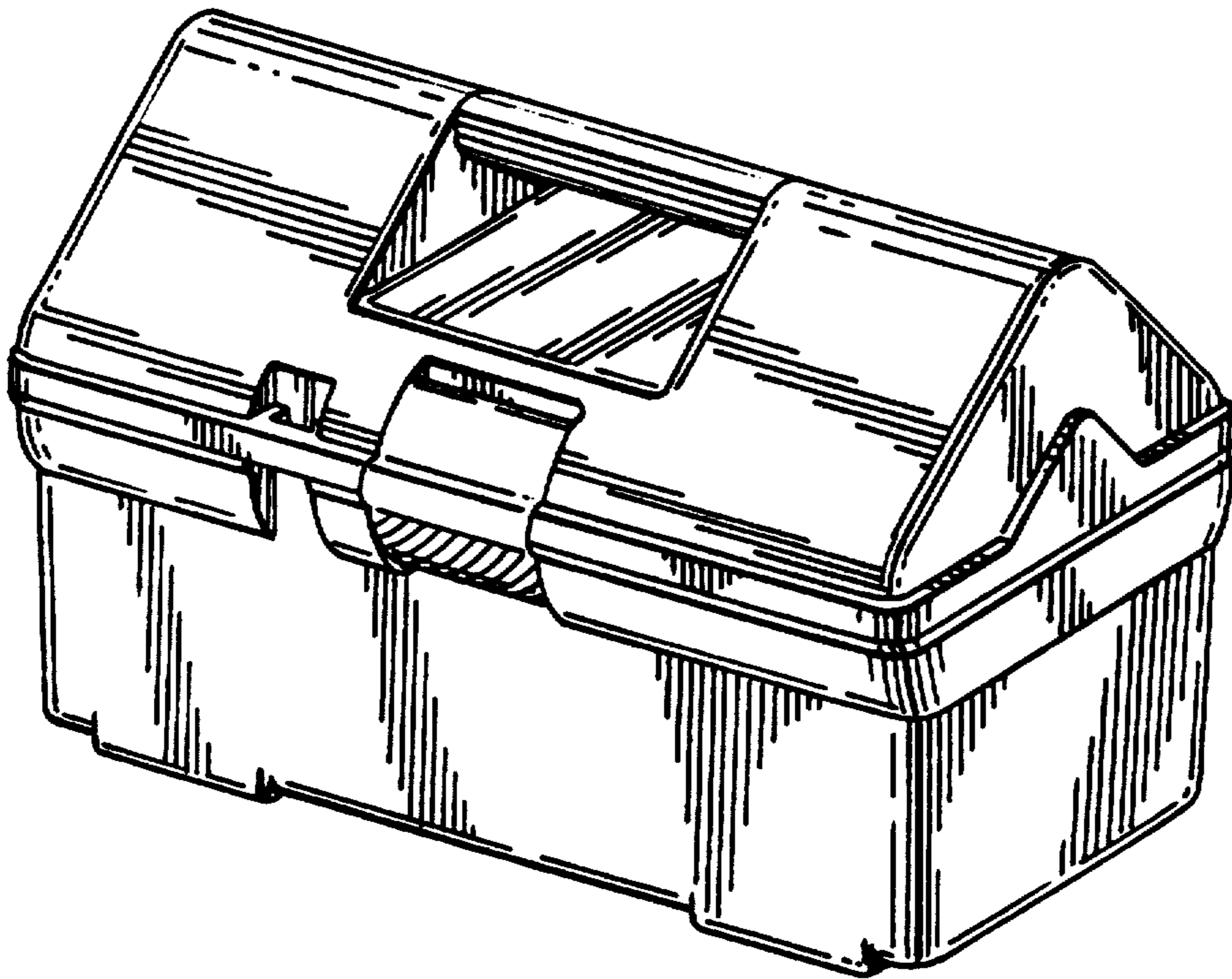
FIG. 6 is a left side elevational view, the right side being a mirror image thereof;

FIG. 7 is a top, right perspective view of a toolbox showing a second embodiment of our new design;

FIG. 8 is a front elevational view thereof;

FIG. 9 is a top plan view thereof;

FIG. 10 is a bottom plan view thereof.



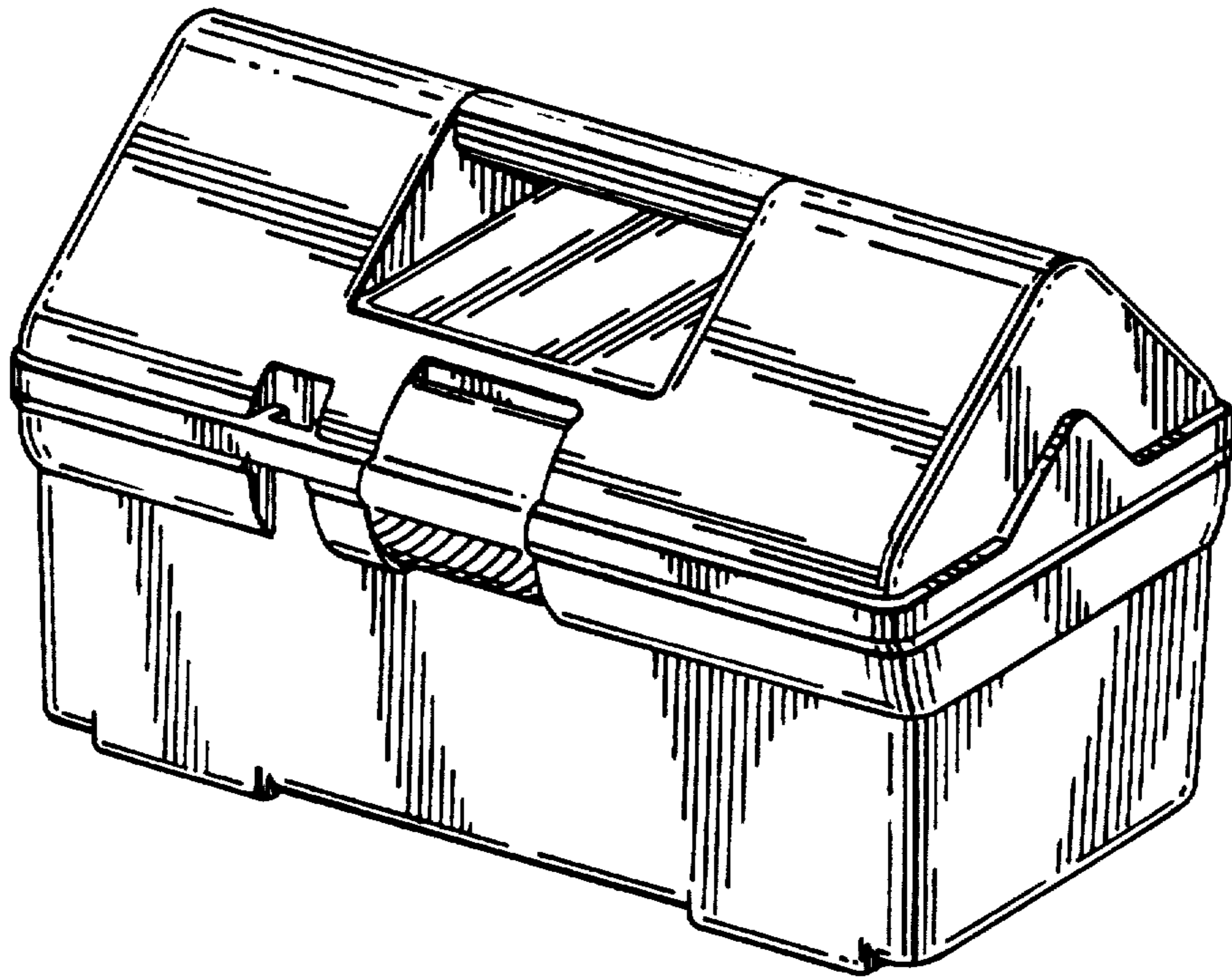


FIG. 1

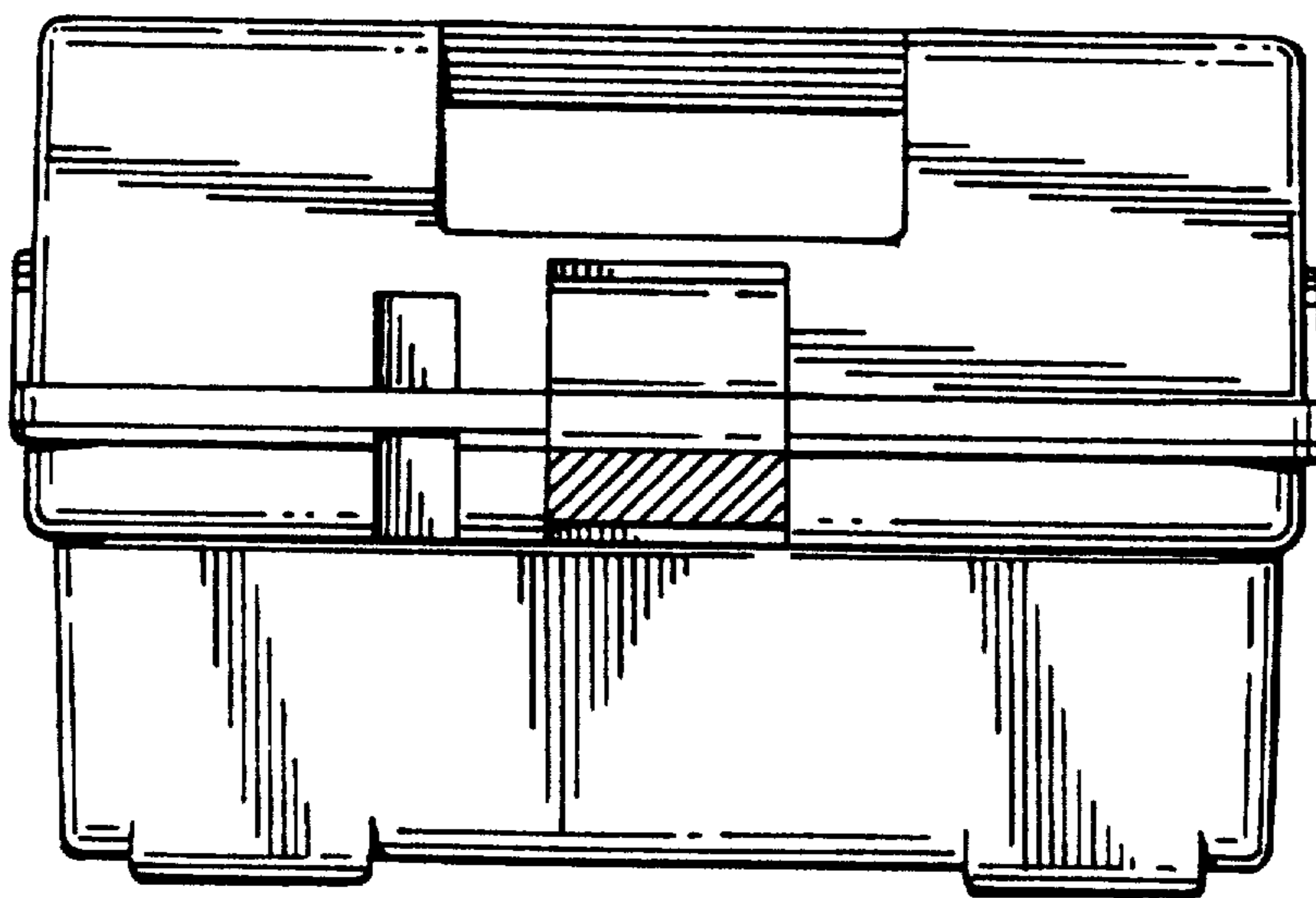


FIG. 2



FIG. 3

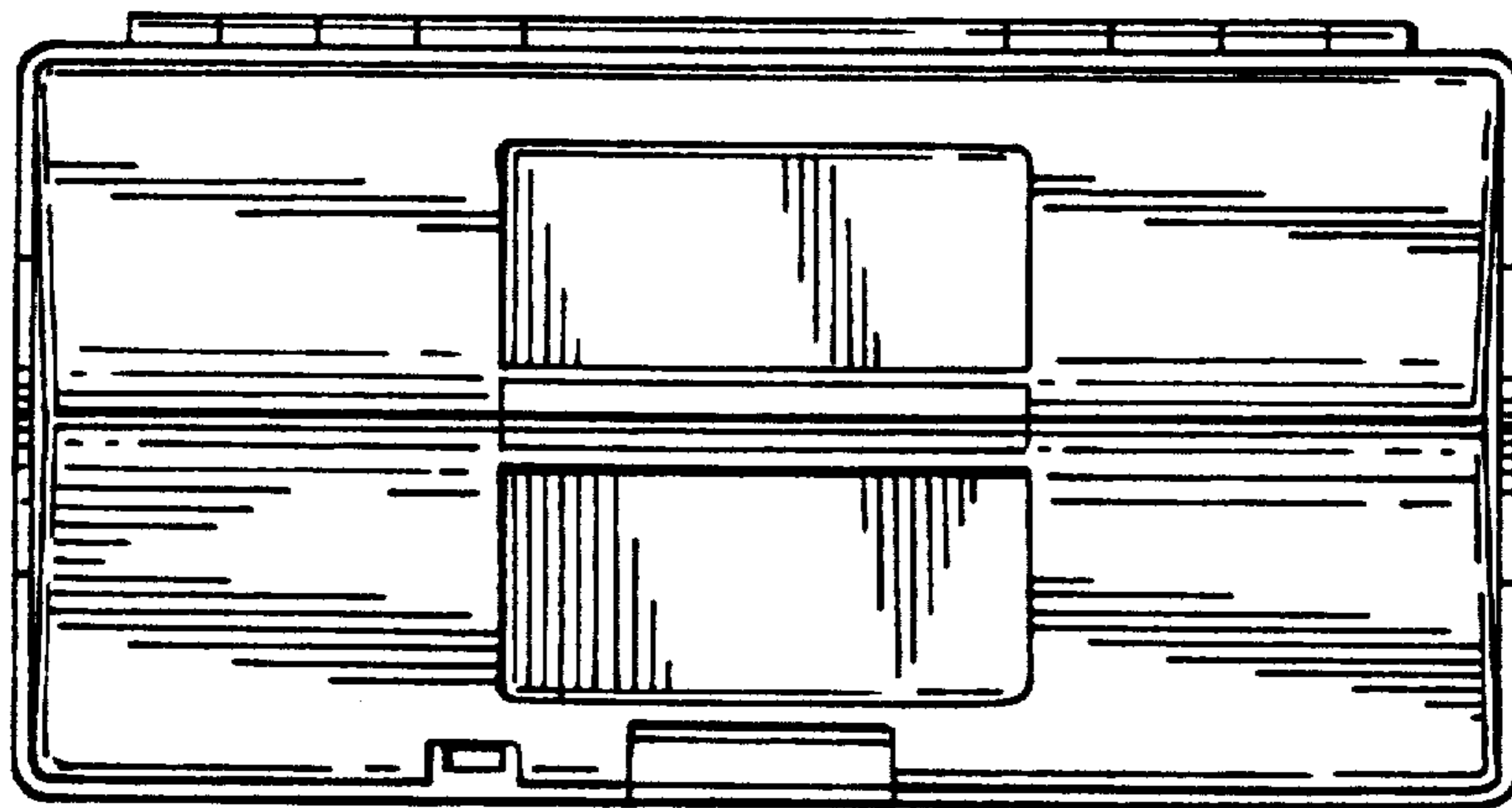


FIG. 4

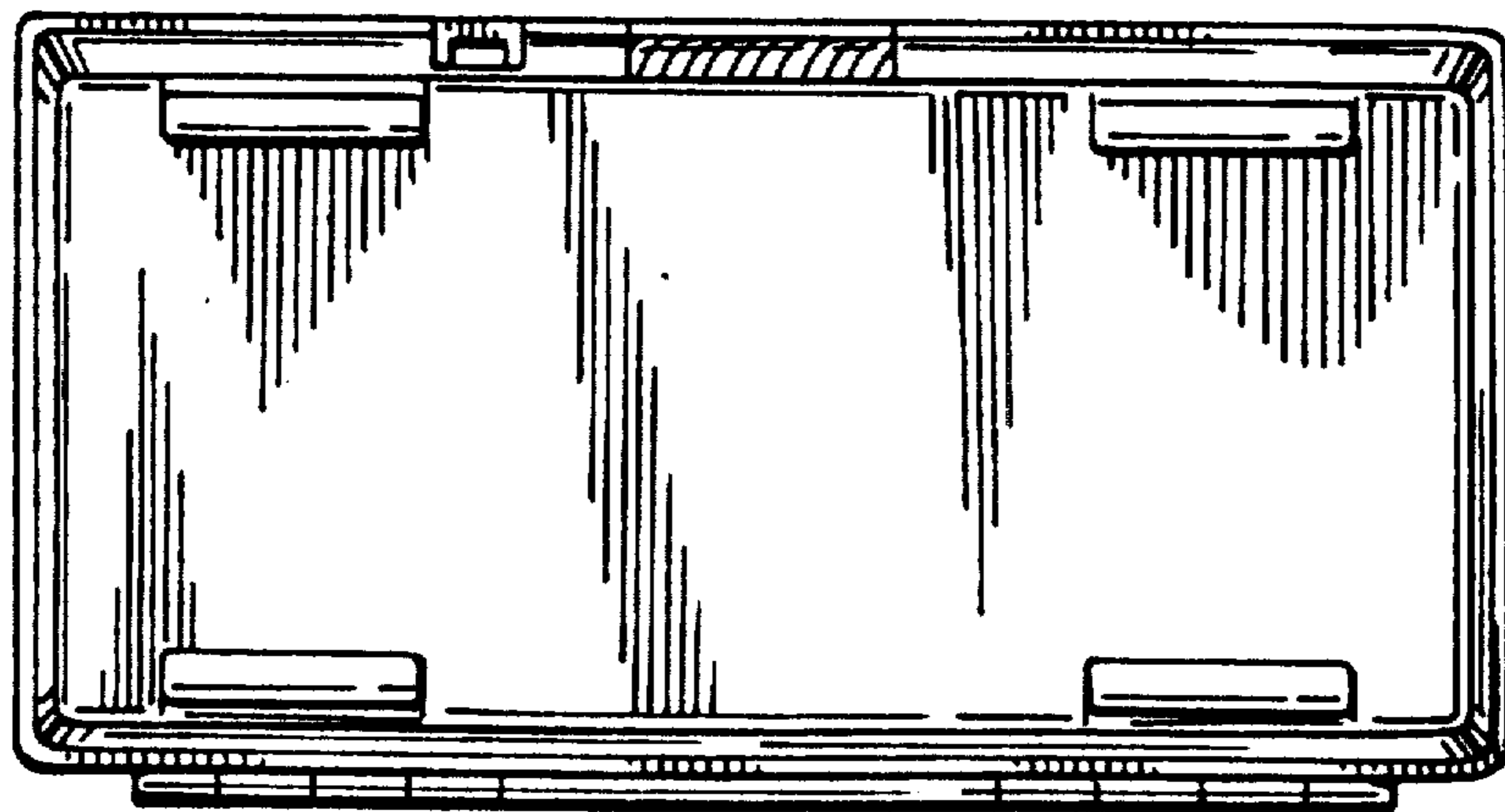


FIG. 5

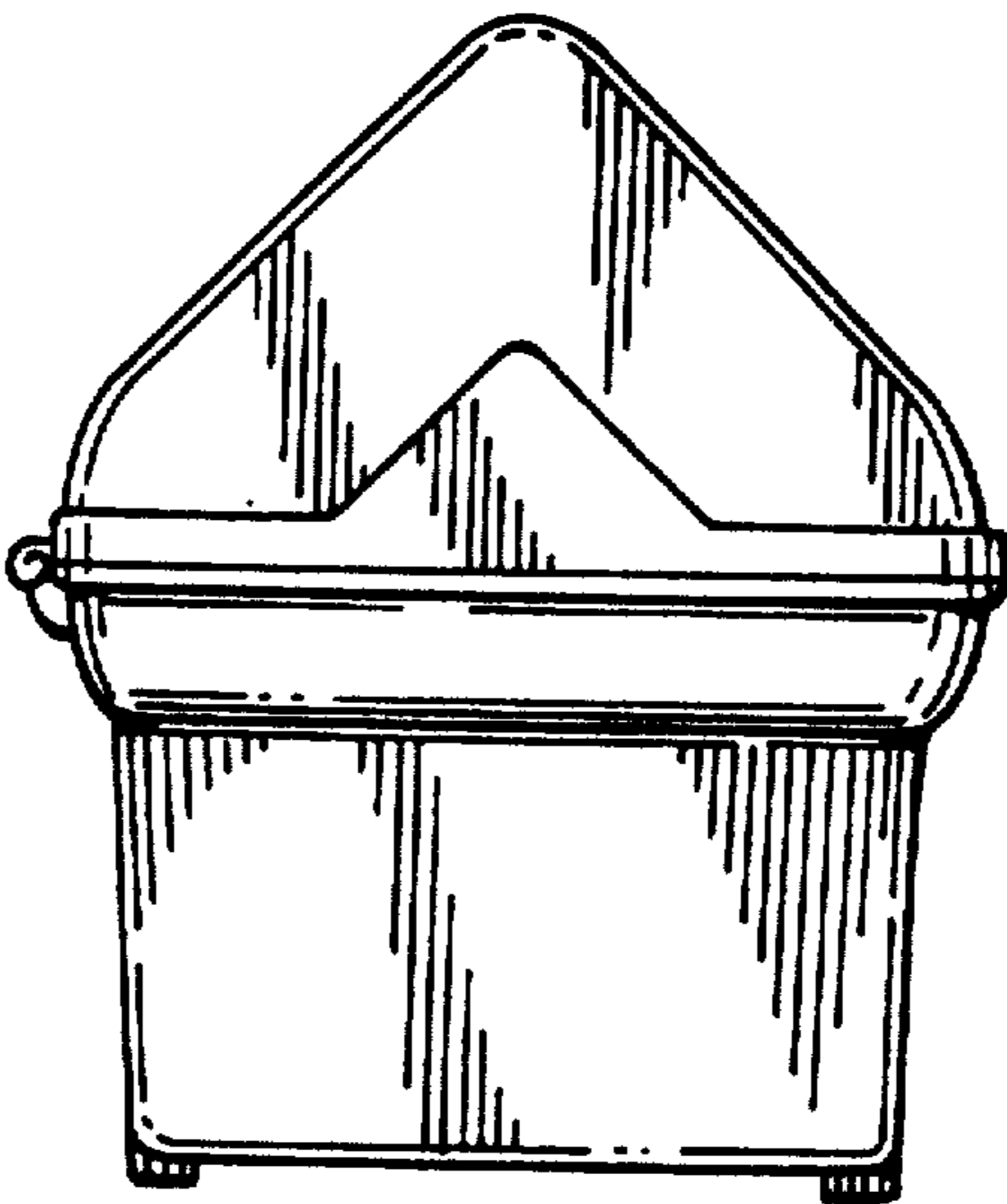


FIG. 6

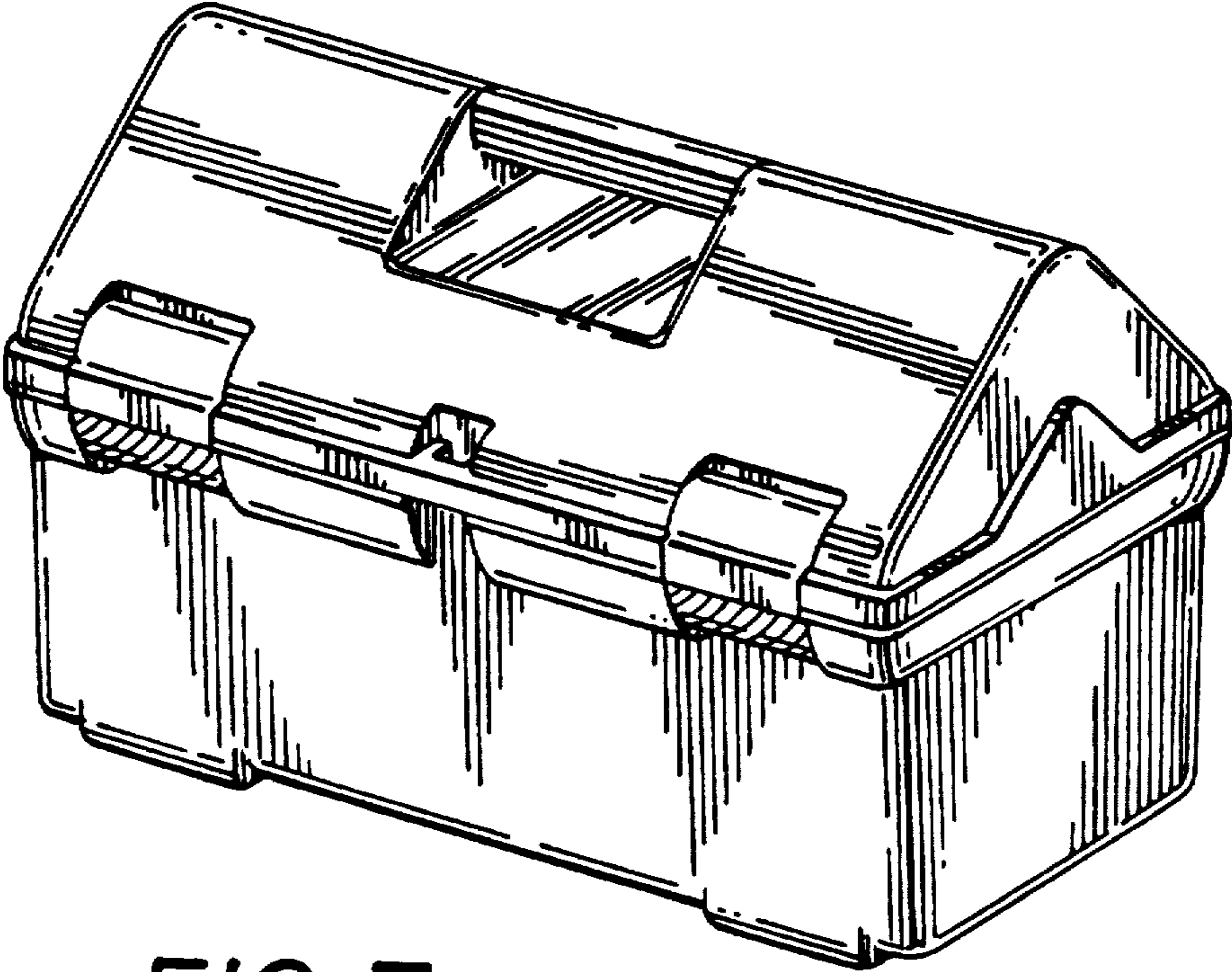


FIG. 7

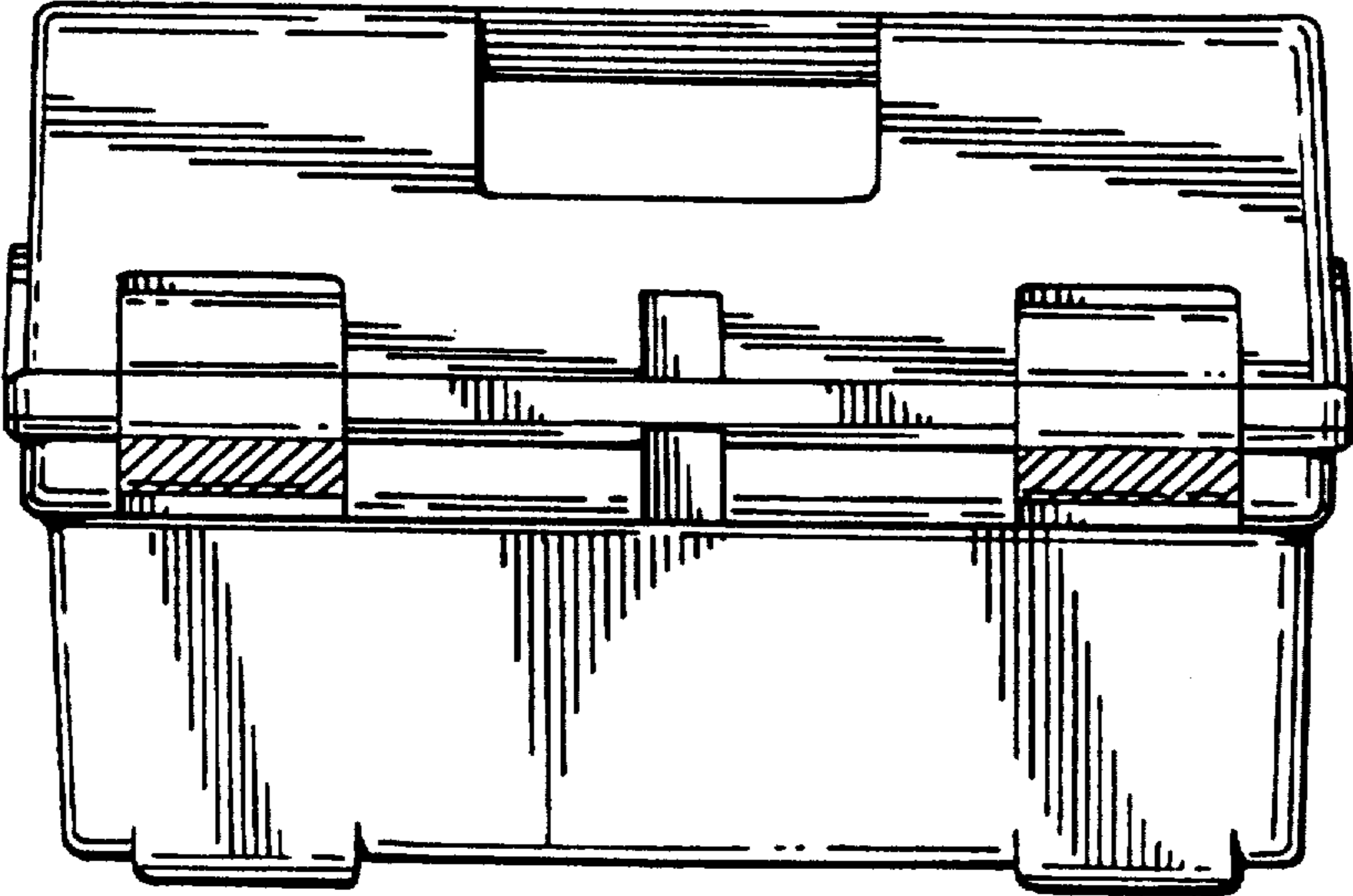


FIG. 8

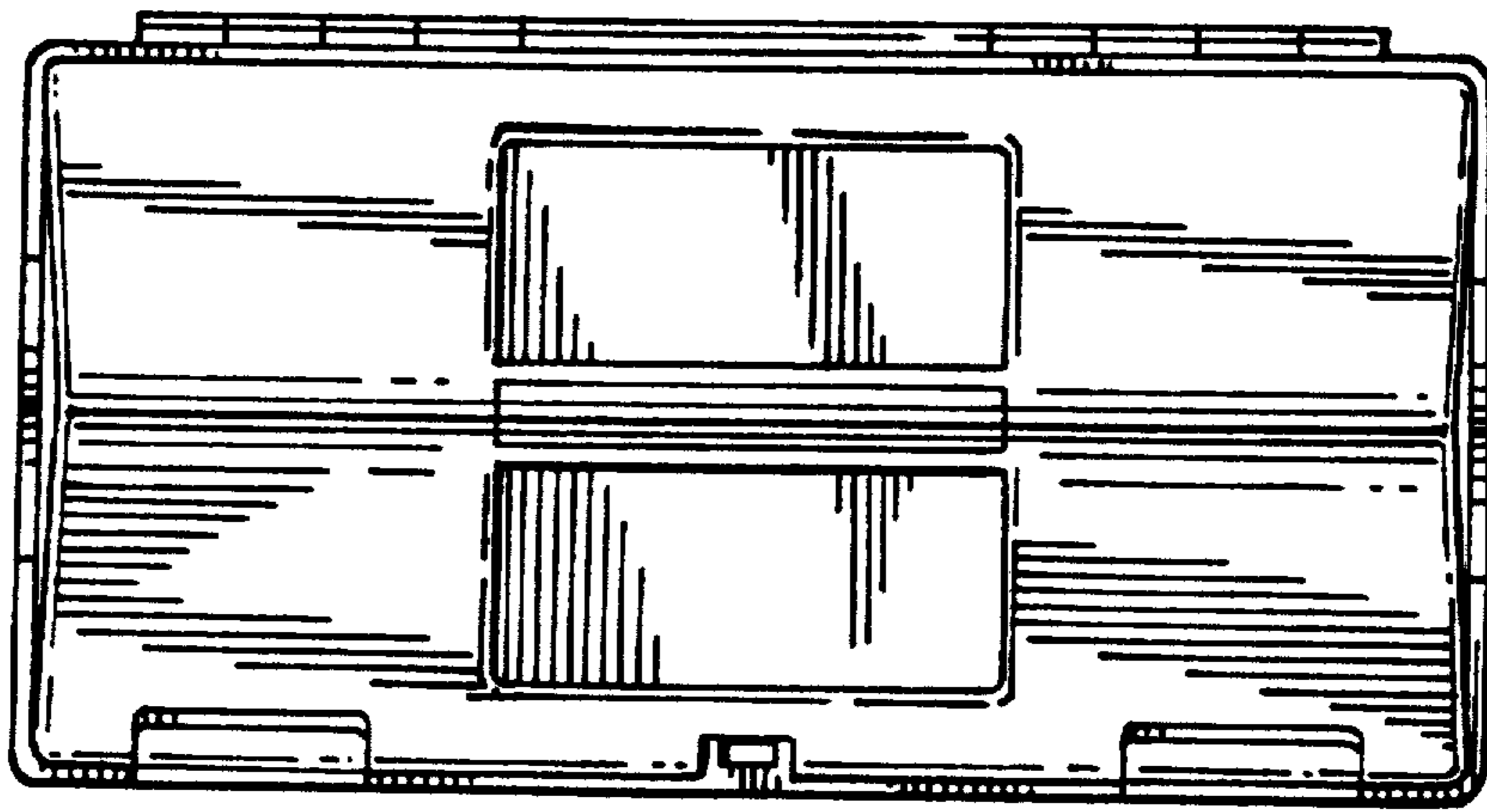


FIG. 9

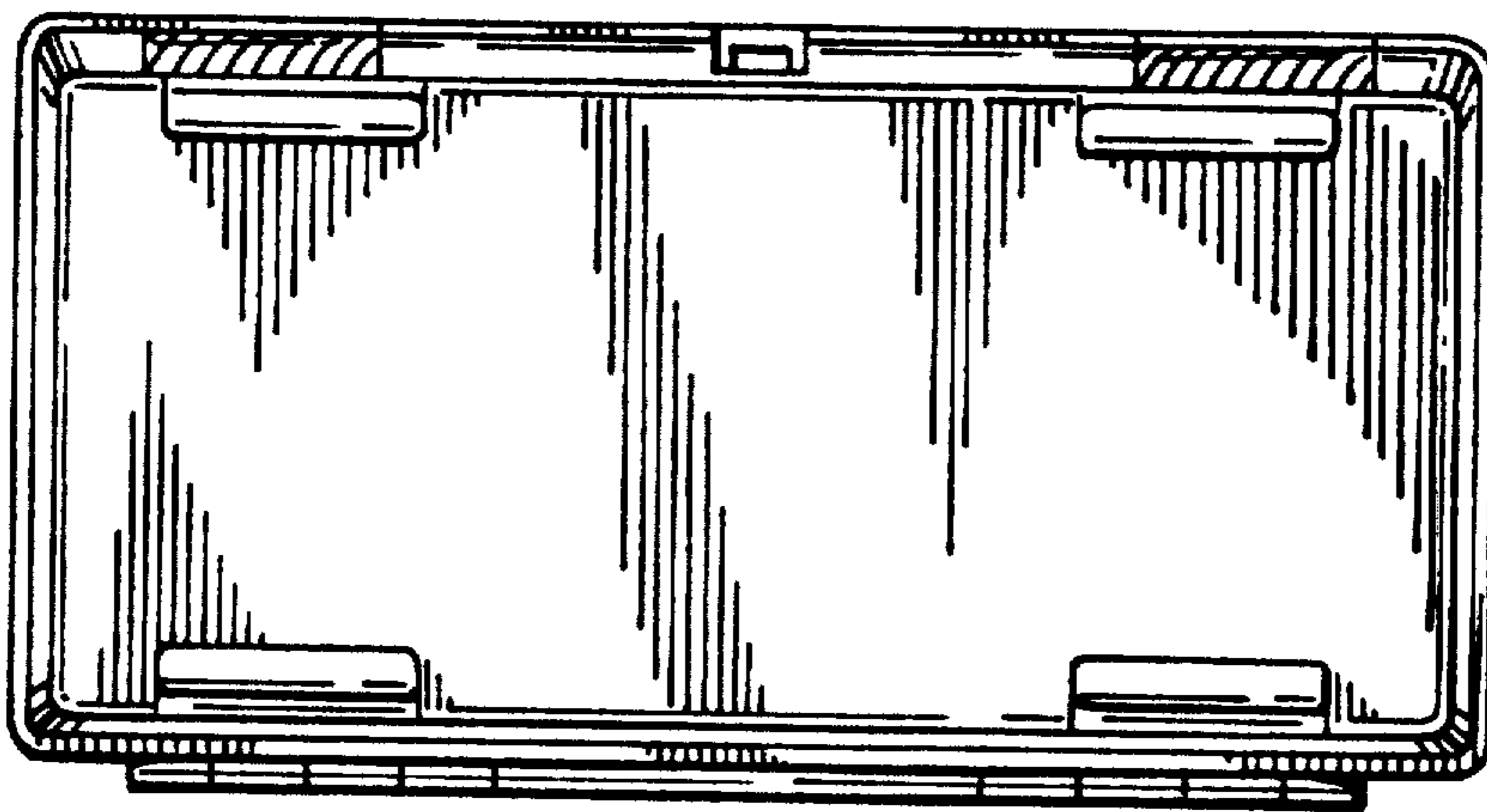


FIG. 10