

United States Patent [19]
Spreckelmeier

[11] **Patent Number: Des. 322,143**
[45] **Date of Patent: ** Dec. 3, 1991**

[54] **COMBINED LINEAR SURGICAL STAPLER AND CUTTER**

[75] **Inventor: Lawrence E. Spreckelmeier, Cincinnati, Ohio**

[73] **Assignee: Ethicon, Inc., Somerville, N.J.**

[**] **Term: 14 Years**

[21] **Appl. No.: 361,540**

[22] **Filed: Jun. 5, 1989**

[52] **U.S. Cl. D24/145**

[58] **Field of Search D24/145; 227/19, 21, 227/901, 175-181**

[56] **References Cited**

U.S. PATENT DOCUMENTS

D. 272,851 2/1984 Green et al. D24/145
D. 272,852 2/1984 Green et al. D24/145
D. 278,080 3/1985 Green et al. D24/145

D. 285,836 9/1986 Hunt et al. D24/145
D. 301,740 6/1989 Green D24/145
4,520,817 6/1985 Green 128/305
4,633,861 1/1987 Chow et al. 227/19

Primary Examiner—Stella Reid
Attorney, Agent, or Firm—Paul A. Coletti

[57] **CLAIM**

The ornamental design for a combined linear surgical stapler and cutter, as shown and described.

DESCRIPTION

FIG. 1 is a side perspective view of a combined linear surgical stapler and cutter, showing my new design;
FIG. 2 is a top plan view thereof;
FIG. 3 is a rear elevational view thereof;
FIG. 4 is a side elevational view thereof;
FIG. 5 is a front elevational view thereof;
FIG. 6 is a side elevational view thereof, opposite that shown in FIG. 4; and
FIG. 7 is a bottom plan view thereof.

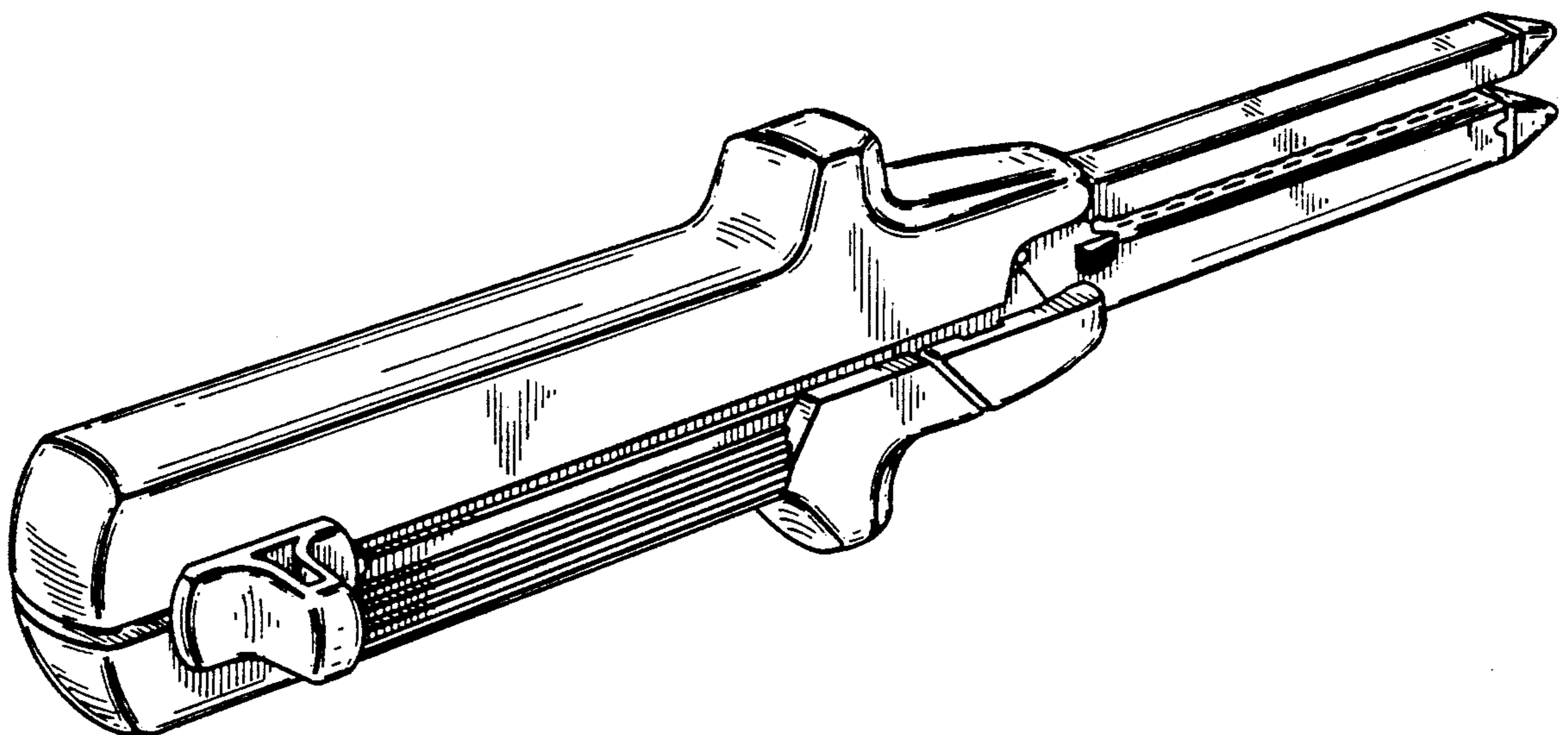


FIG-1

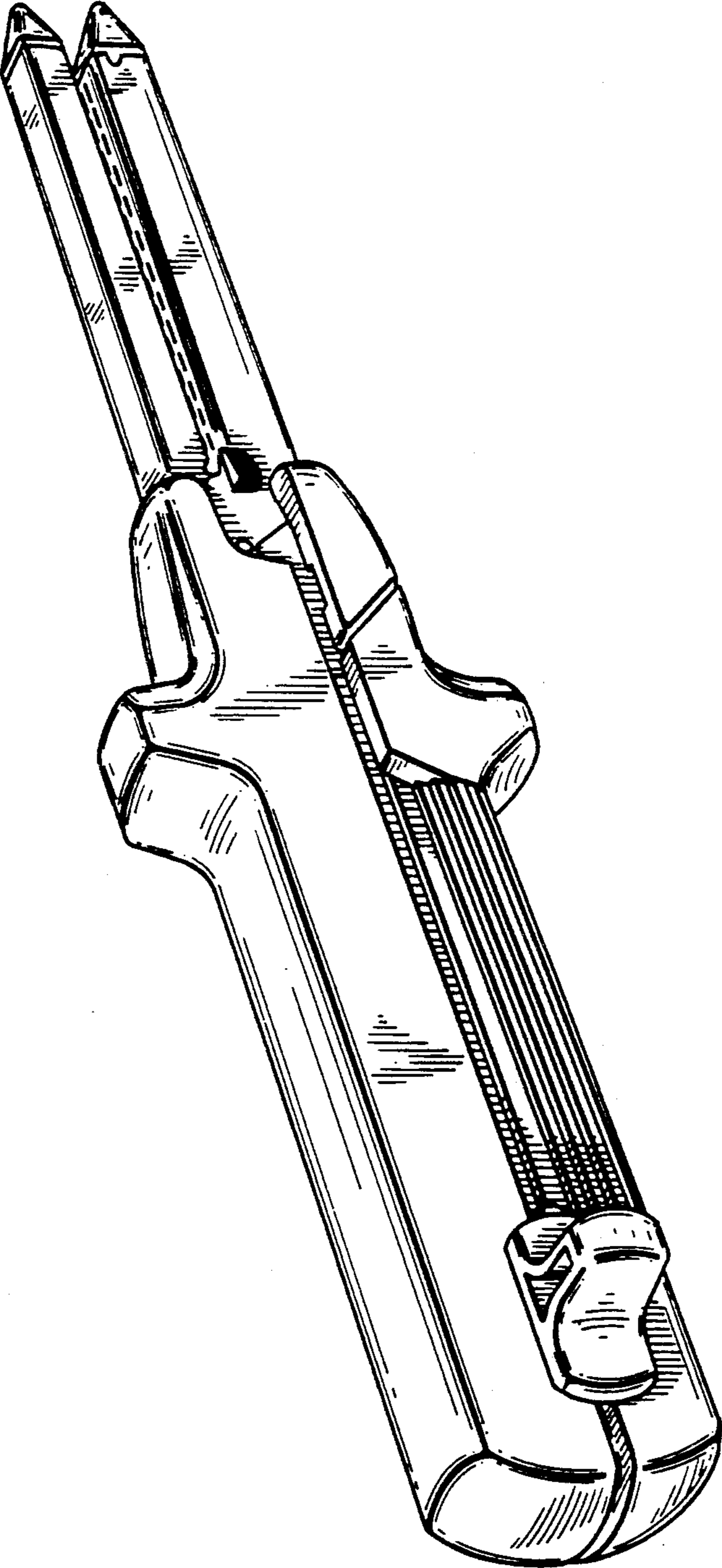


FIG-2

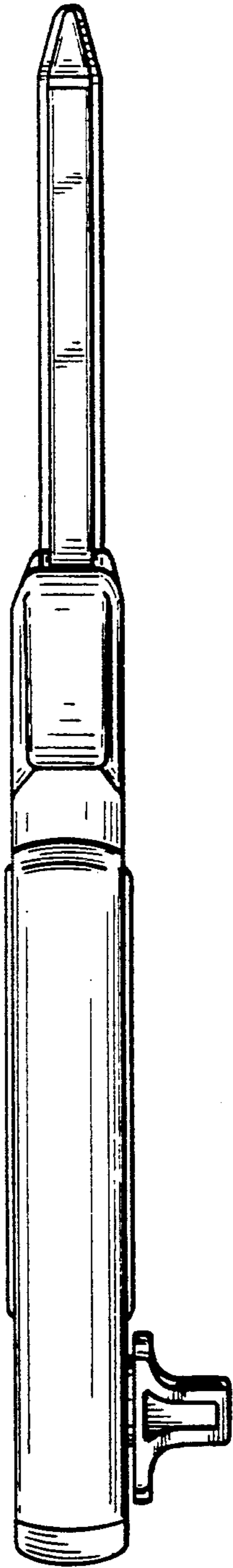


FIG-4

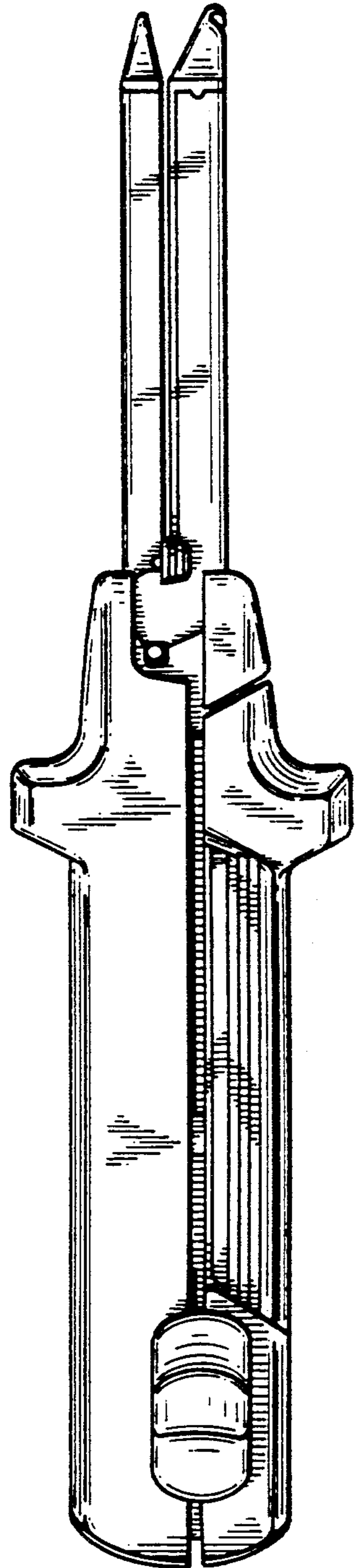


FIG-3

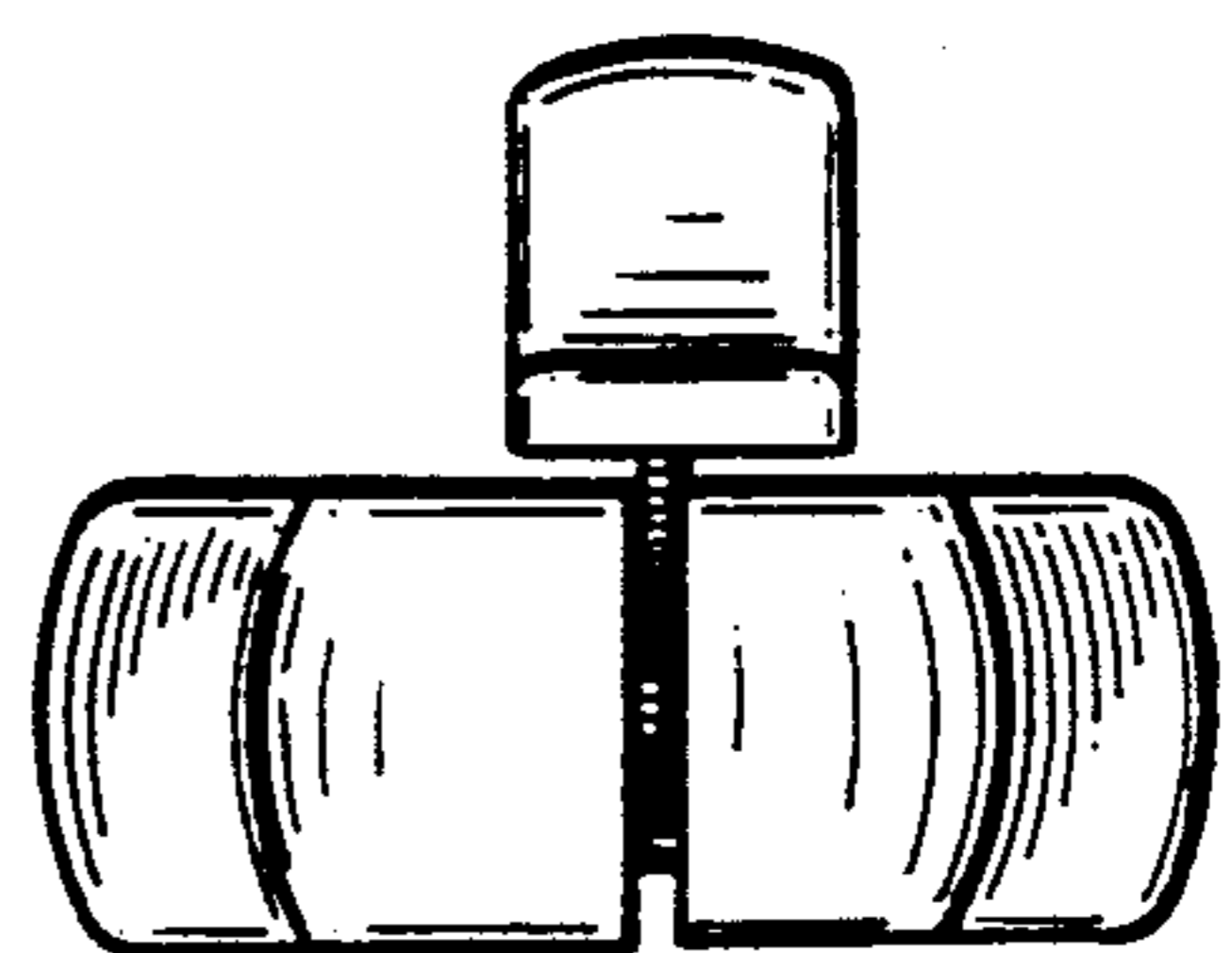


FIG-6

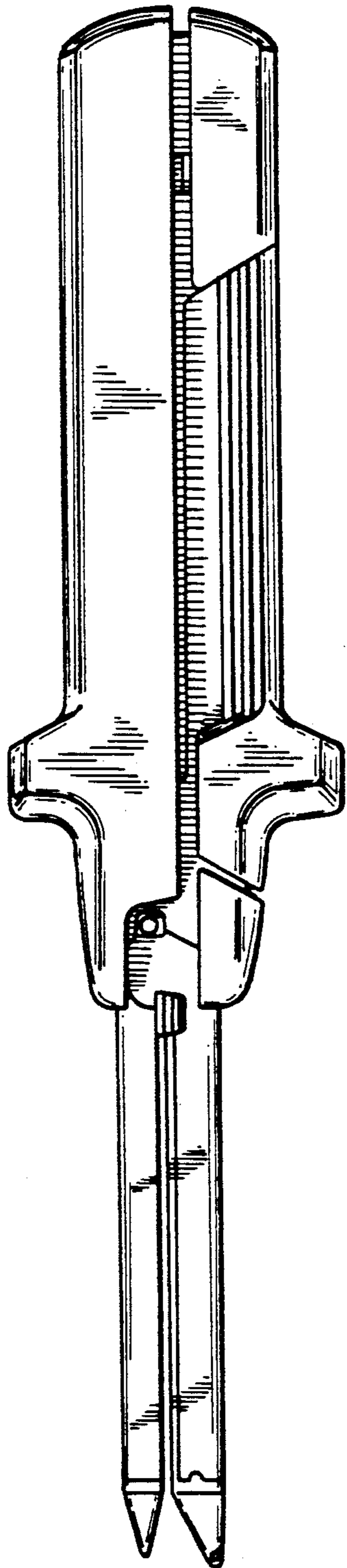


FIG-7

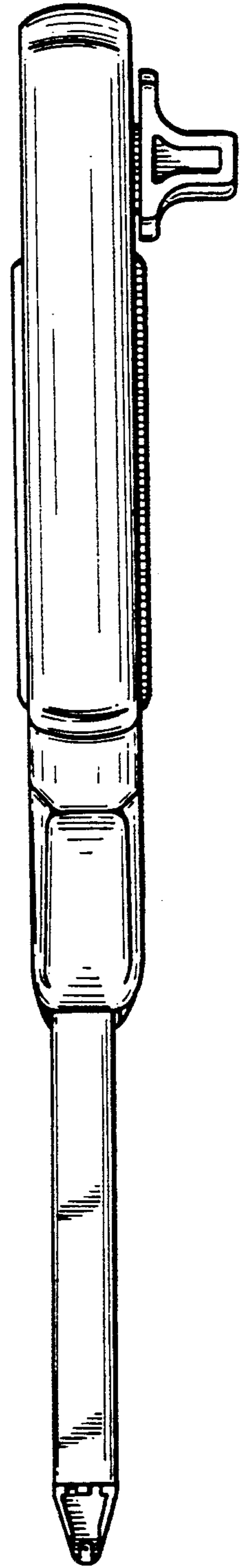


FIG-5

