

United States Patent [19]

Dacanay et al.

[11] Patent Number: **Des. 322,140**

[45] Date of Patent: **** Dec. 3, 1991**

[54] **TWIN HEAD EMERGENCY LIGHT**

[75] Inventors: **Ron Dacanay, Schaumburg; Geno D'Ercoli, Rolling Meadows, both of Ill.**

[73] Assignee: **Cooper Industries, Inc., Houston, Tex.**

[**] Term: **14 Years**

[21] Appl. No.: **479,599**

[22] Filed: **Feb. 13, 1990**

[52] U.S. Cl. **D26/85; D10/114; D26/63**

[58] Field of Search **D26/28-36, D26/63, 65, 72, 80, 85, 86, 87, 88; D10/114; 362/61, 74**

[56] **References Cited**

U.S. PATENT DOCUMENTS

D. 264,253	5/1982	Goldschmidt et al.	D26/63
D. 293,940	1/1988	Lasker	D26/87 X
D. 315,421	3/1991	Goldschmidt	D26/63 X
2,816,277	12/1957	Salkowski	340/473

3,337,724	8/1967	De Flandre	362/239 X
3,408,624	10/1968	Kennelly	340/472
4,353,110	10/1982	Ellis	362/233 X

OTHER PUBLICATIONS

Emergi-Lite® decorator lite-bar brochure, 12-1982, emergency light.

Primary Examiner—Susan J. Lucas

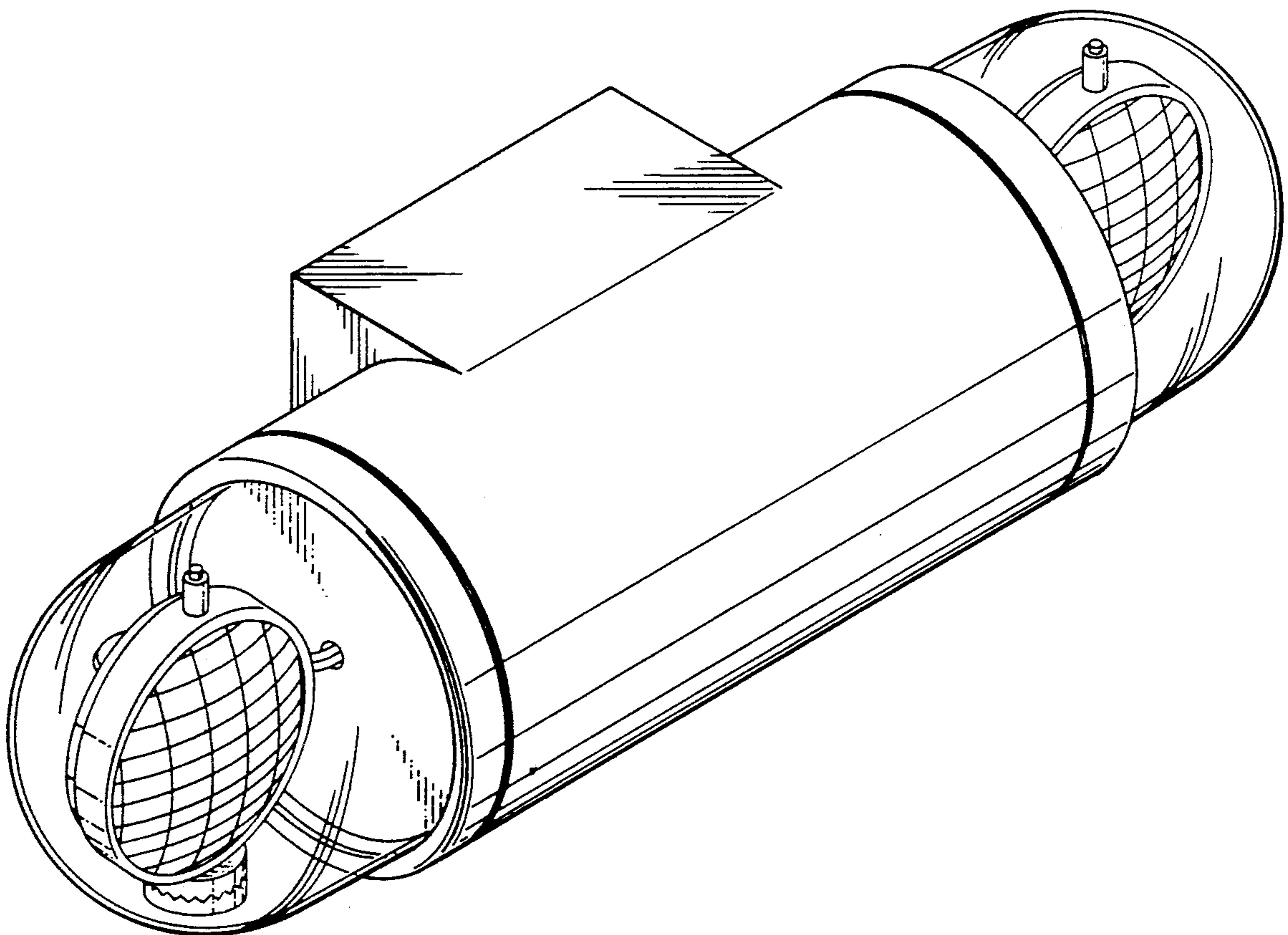
Attorney, Agent, or Firm—Donald J. Verplancken

[57] **CLAIM**

The ornamental design for a twin head emergency light, as shown and described.

DESCRIPTION

FIG. 1 is a top, front, left side perspective view of a twin head emergency light showing our new design;
 FIG. 2 is a top plan view thereof;
 FIG. 3 is a front elevational view thereof;
 FIG. 4 is a bottom plan view thereof;
 FIG. 5 is a rear elevational view thereof;
 FIG. 6 is a right side elevational view thereof, the left side being a mirror image;
 FIG. 7 is a bottom, rear, right side perspective view thereof.



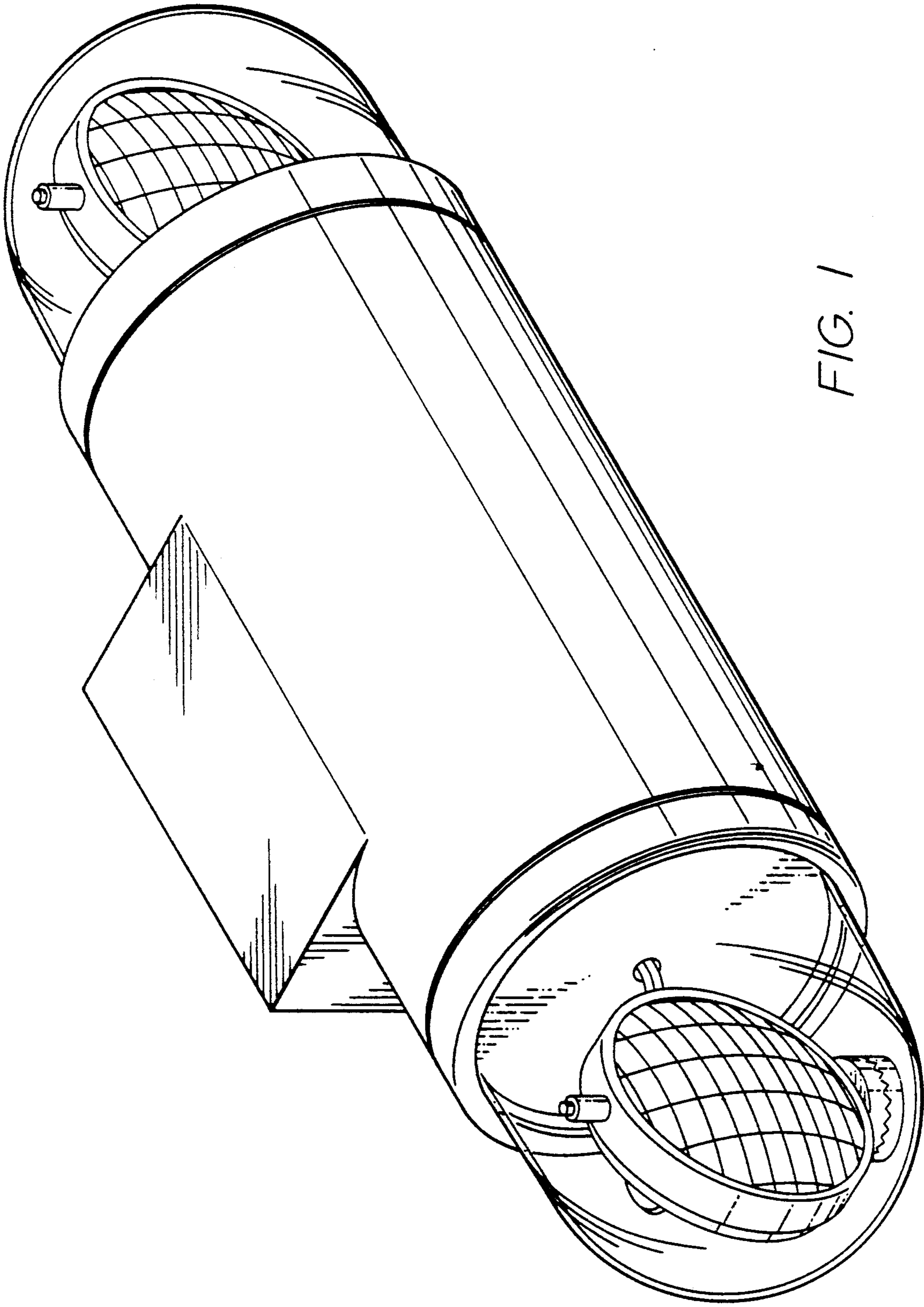


FIG. 1

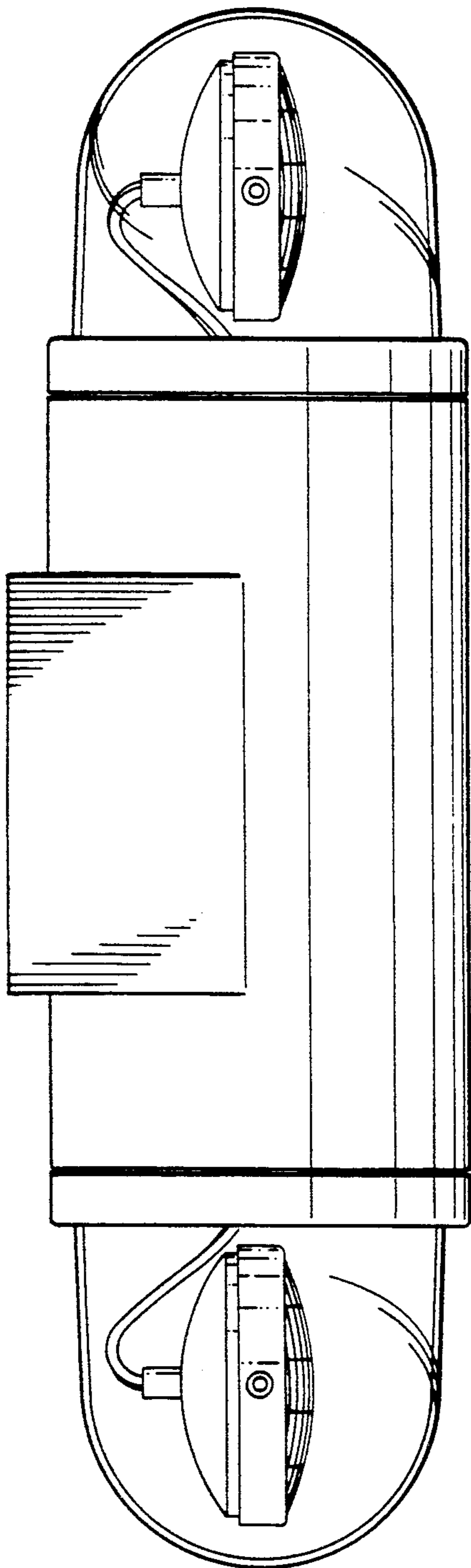


FIG. 2

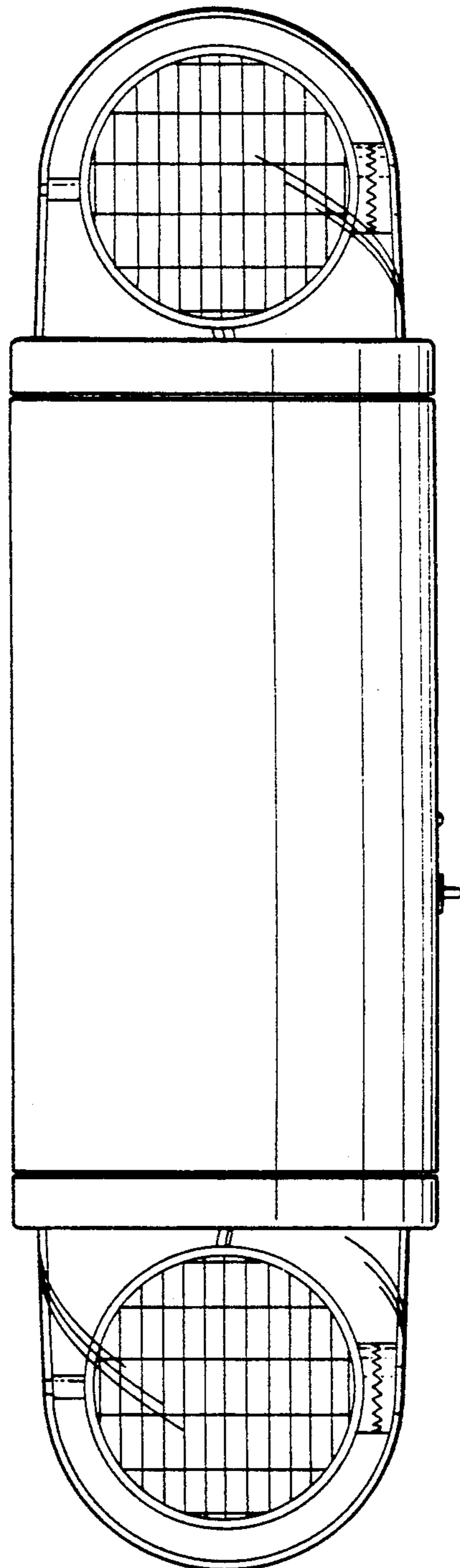


FIG. 3

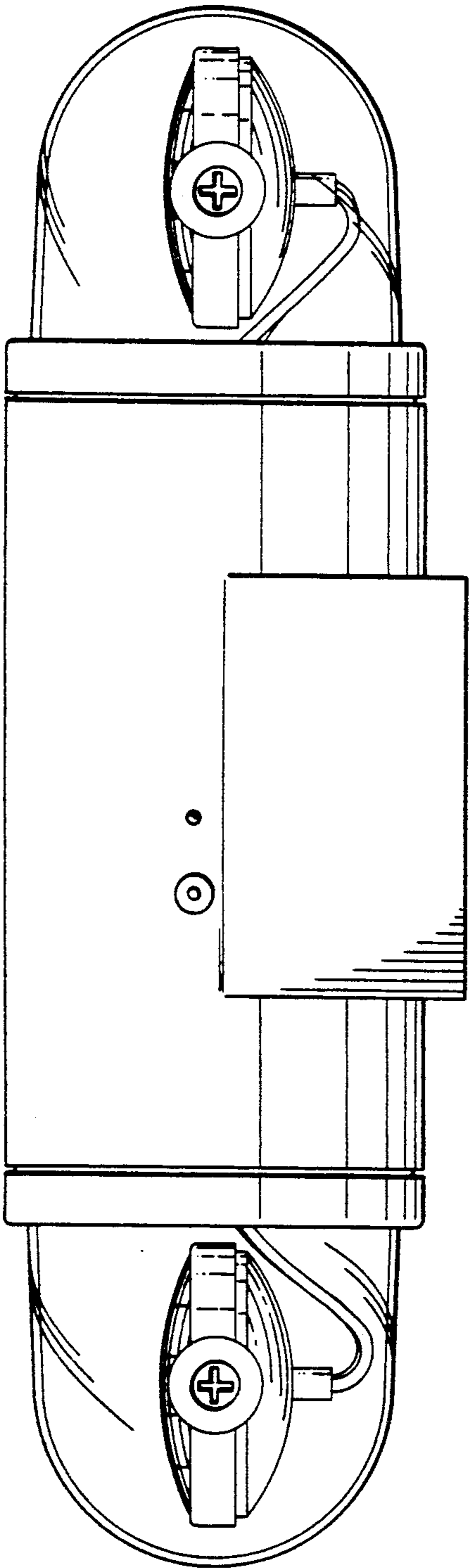


FIG. 4

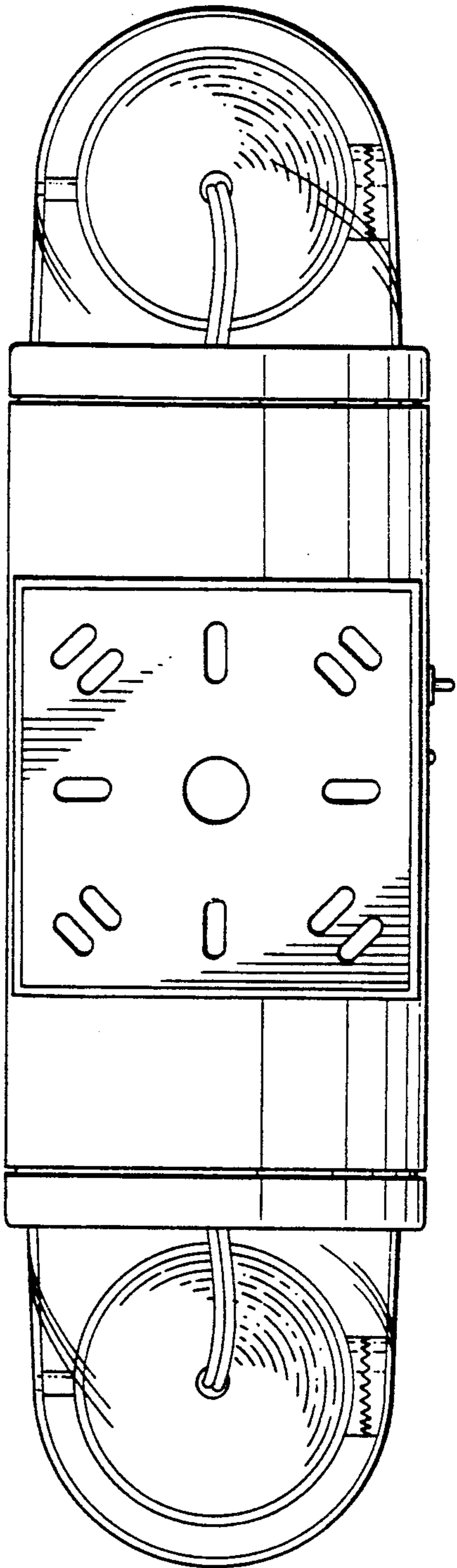


FIG. 5

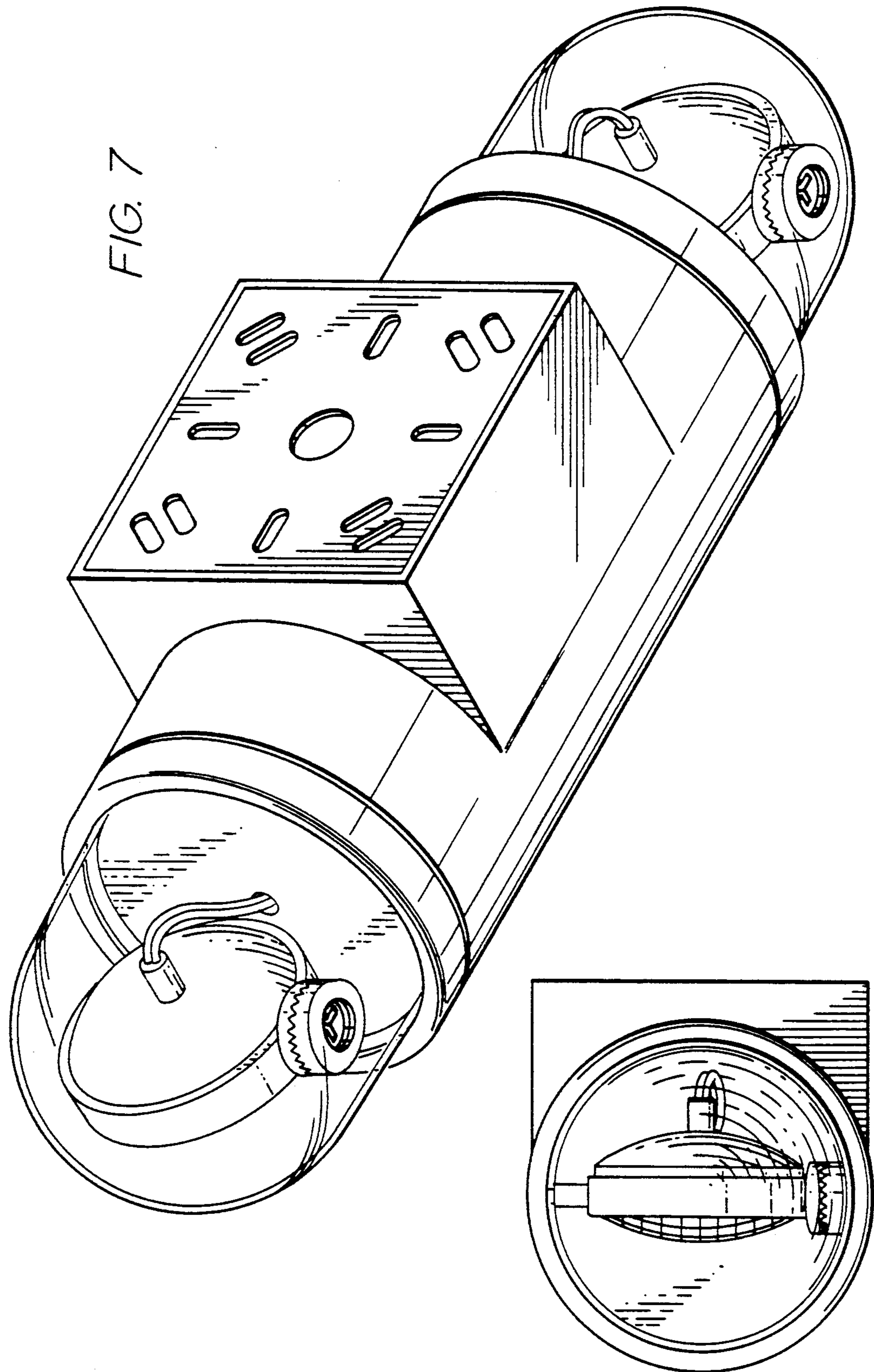


FIG. 7

FIG. 6