

United States Patent [19]

Davies

[11] Patent Number: Des. 322,138

[45] Date of Patent: ** Dec. 3, 1991

[54] FLASHLIGHT

[75] Inventor: Philip Davies, Chiswick, United Kingdom

[73] Assignee: Ever Ready Limited, London, England

[**] Term: 14 Years

[21] Appl. No.: 40,232

[22] Filed: Apr. 20, 1987

[30] Foreign Application Priority Data

Oct. 27, 1986 [GB] United Kingdom 1037660
[52] U.S. Cl. D26/49
[58] Field of Search D26/37-50;
362/157, 158, 183-208

[56] References Cited

U.S. PATENT DOCUMENTS

D. 290,517 6/1987 Smith D26/46
4,244,011 1/1981 Hammel et al. 362/183

OTHER PUBLICATIONS

Eddie Bauer Catalog, 1980, p. 74, streamlite-20 re-chargeable flashlight.

Skin Diver, 5-1979, p. 84, flashlight "Fara-Lite" #06-1022.

Primary Examiner—Susan J. Lucas

Attorney, Agent, or Firm—Synnestvedt & Lechner

[57] CLAIM

The ornamental design for a flashlight, as shown and described.

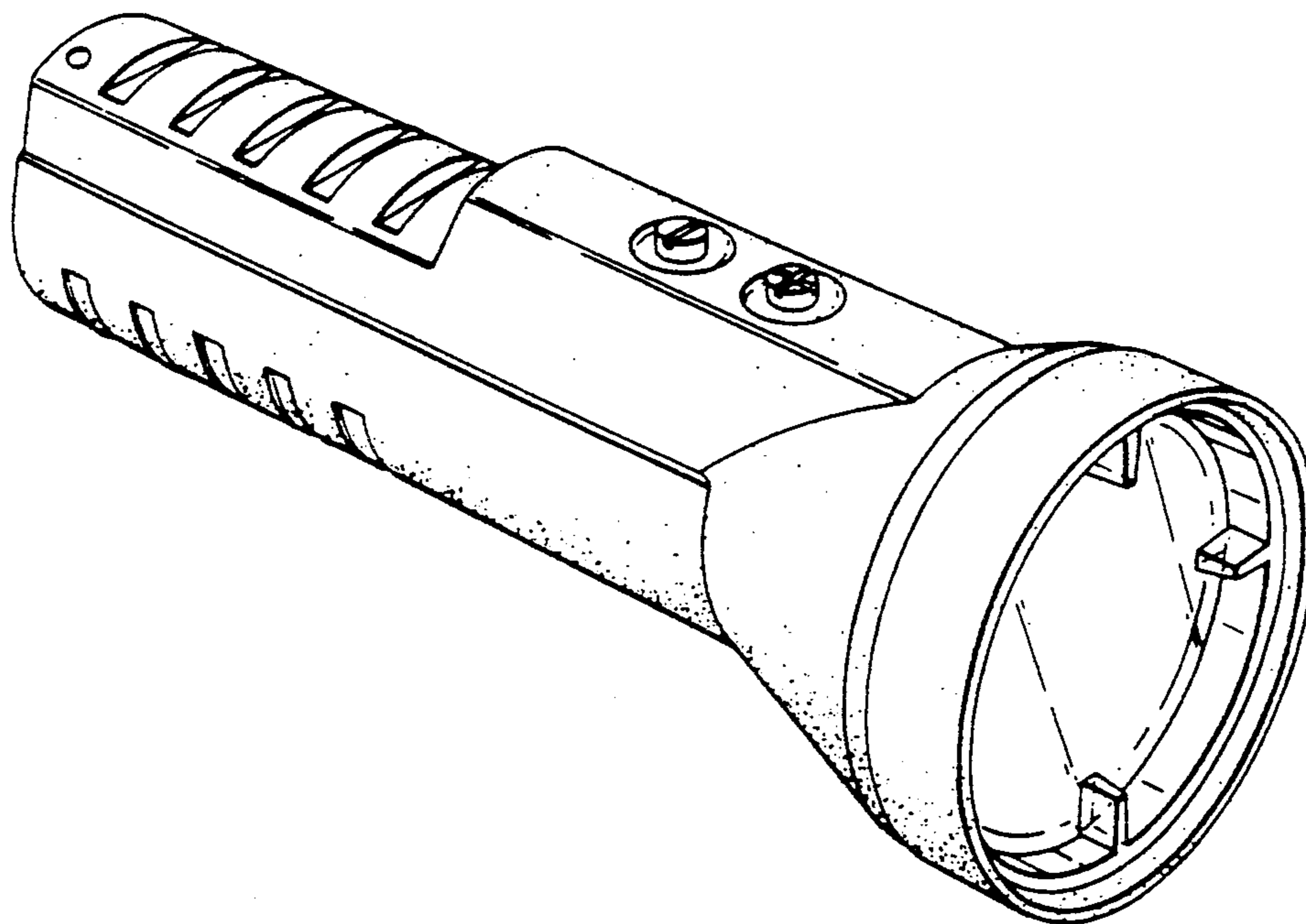
DESCRIPTION

FIG. 1 is a top, front, right side perspective view of a flashlight showing my new design;

FIG. 2 is a rear elevational view thereof;

FIG. 3 is a left side elevational view thereof;

FIG. 4 is a bottom plan view thereof.



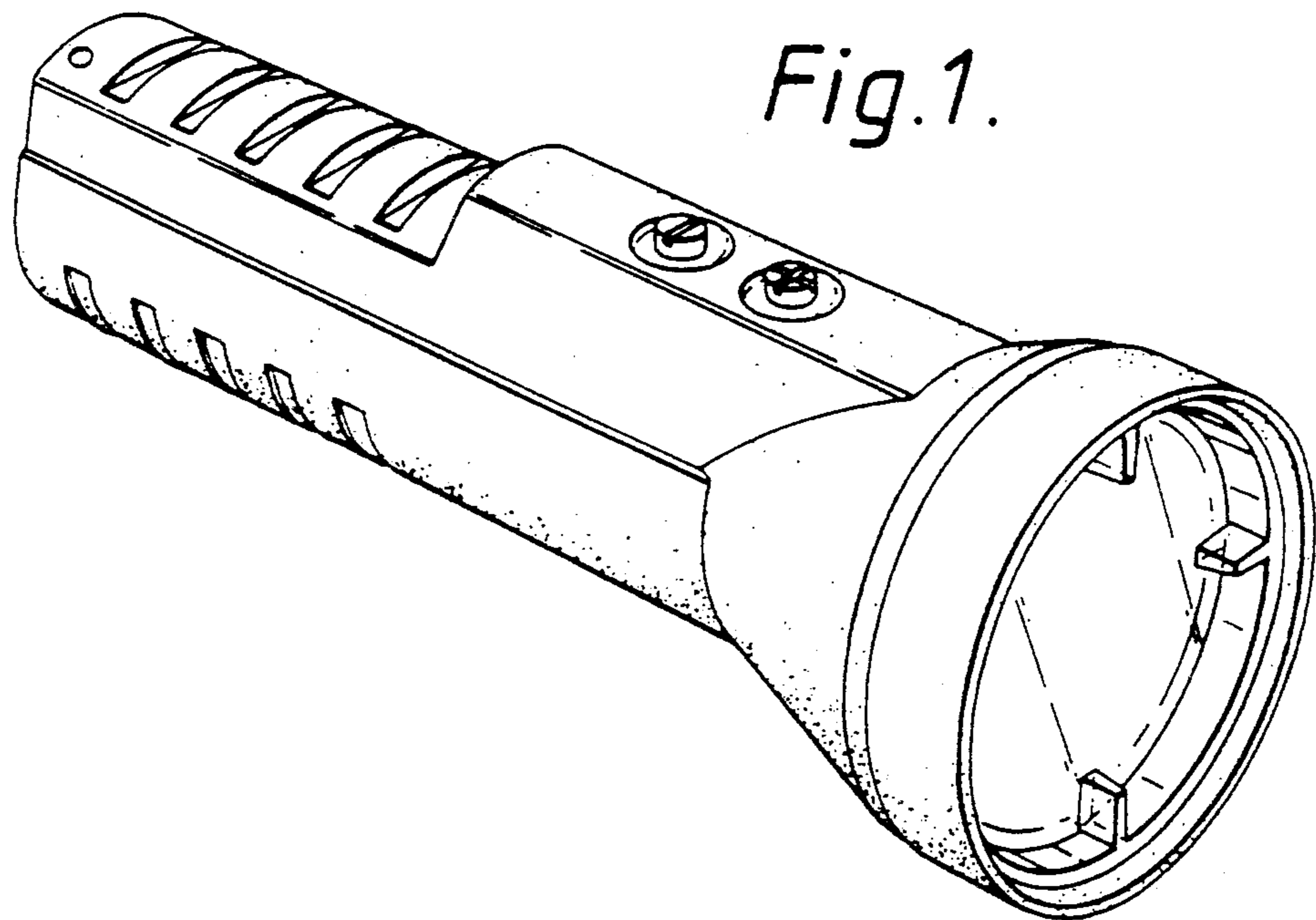


Fig.2.

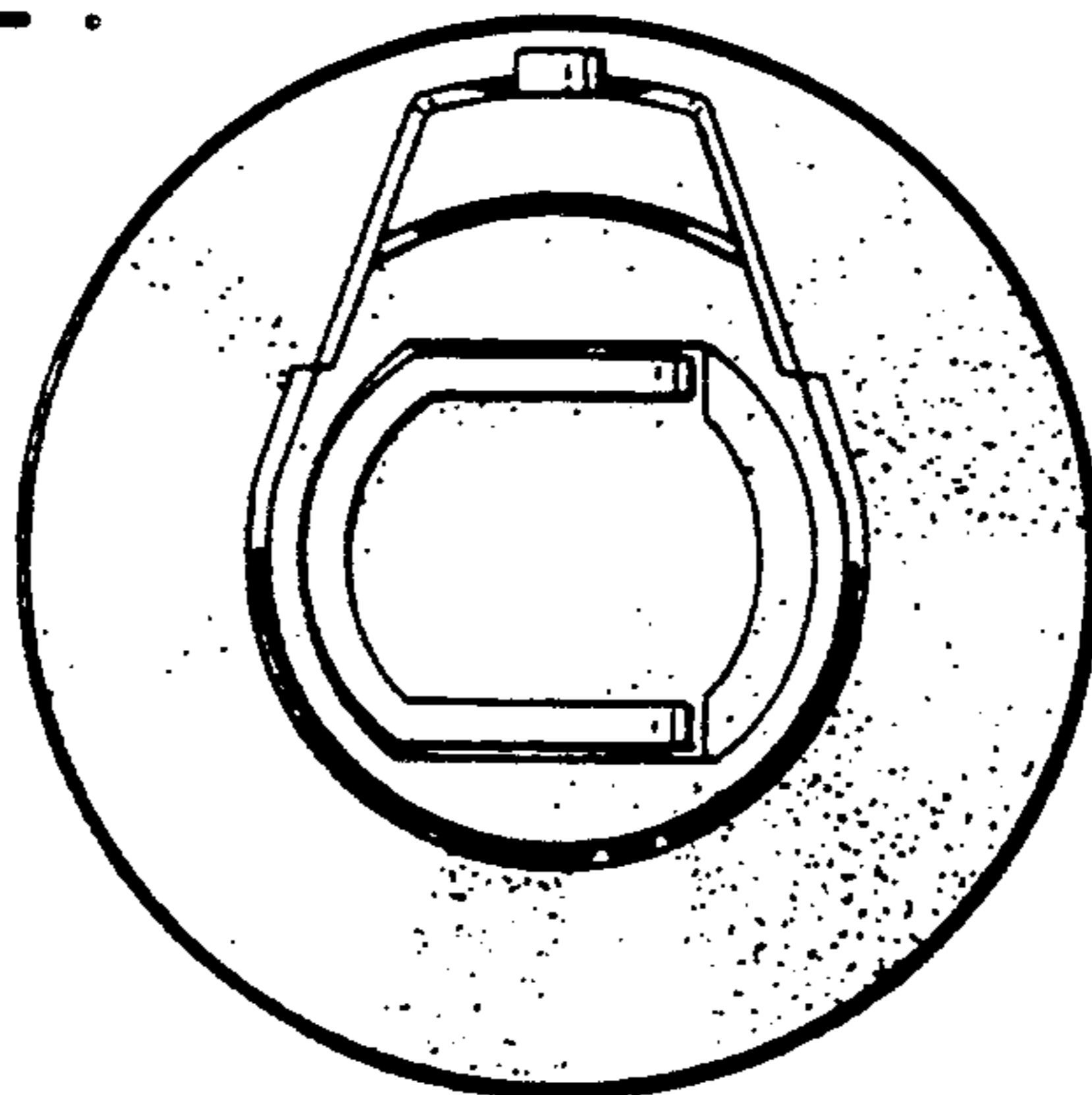


Fig. 3.

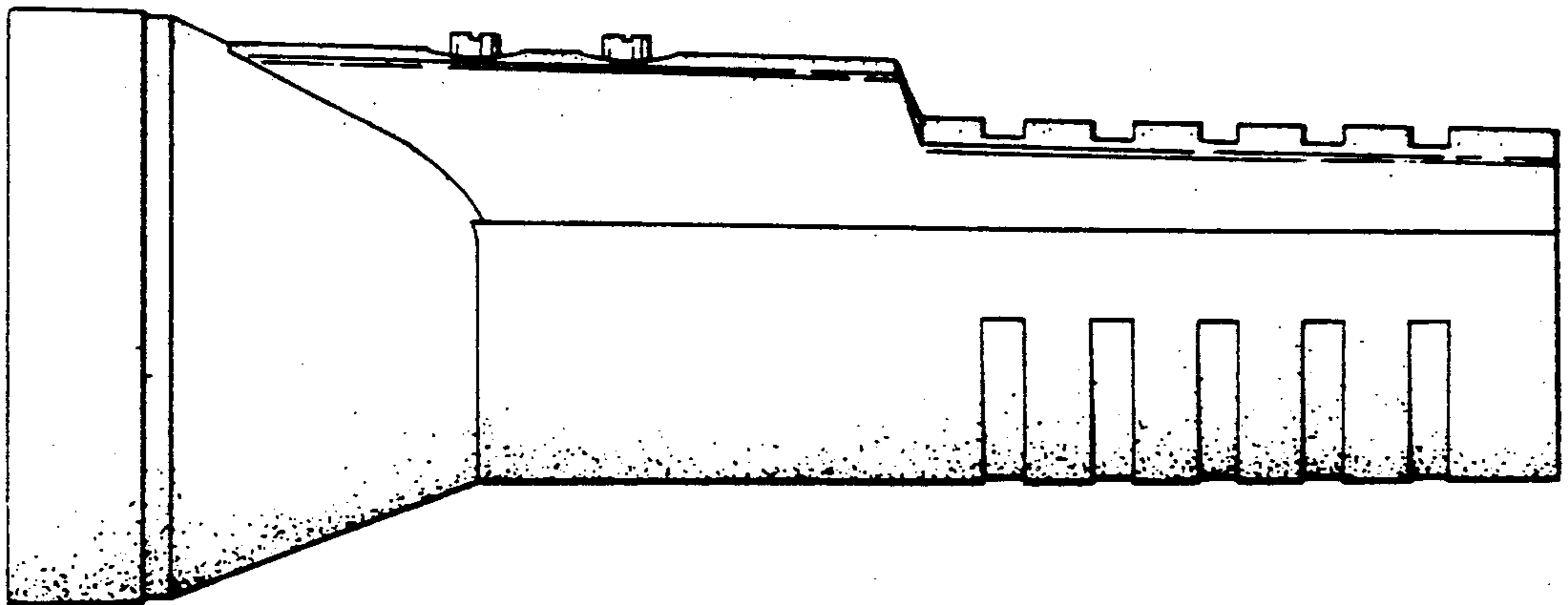


Fig. 4.

