

[54] INFRARED LUMINAIRE FOR SECURITY SYSTEM OR THE LIKE

[75] Inventors: Julian J. Wierzbicki, Peabody; James N. Lester, Essex, both of Mass.

[73] Assignee: GTE Products Corporation, Danvers, Mass.

[\*\*] Term: 14 Years

[21] Appl. No.: 359,055

[22] Filed: May 30, 1989

[52] U.S. Cl. .... D26/24; D26/63

[58] Field of Search ..... D26/24, 60-66; 362/362, 147, 432, 267, 279-285, 294, 418, 419, 427

[56] References Cited

U.S. PATENT DOCUMENTS

D. 198,637	7/1964	Birns	.....	D26/63	X
D. 214,584	7/1969	Routh et al.	.....	D26/63	
D. 226,020	1/1973	Anderson et al.	.....	D26/63	
D. 296,829	7/1988	Peppers	.....	D26/63	
3,377,473	4/1968	Breeding et al.	.....	362/294	
3,515,302	2/1982	Petralia	.....	362/365	X

OTHER PUBLICATIONS

North Stars "Guide to Innovative Lighting" catalog, 1-1986, Sec. 3, p. 1, Star Square 11 Luminaire.

Stoncoline Price Guide Catalog, 9-1977, p. 8, architecture cube floodlight.

Primary Examiner—Susan J. Lucas

Attorney, Agent, or Firm—William E. Meyer

[57] CLAIM

The ornamental design for a infrared luminaire for security system or the like, as shown and described.

DESCRIPTION

FIG. 1 is a front perspective view of an infrared luminaire for security system or the like, illustrating our new design;

FIG. 2 is a front elevational view thereof;

FIG. 3 is a rear elevational view thereof;

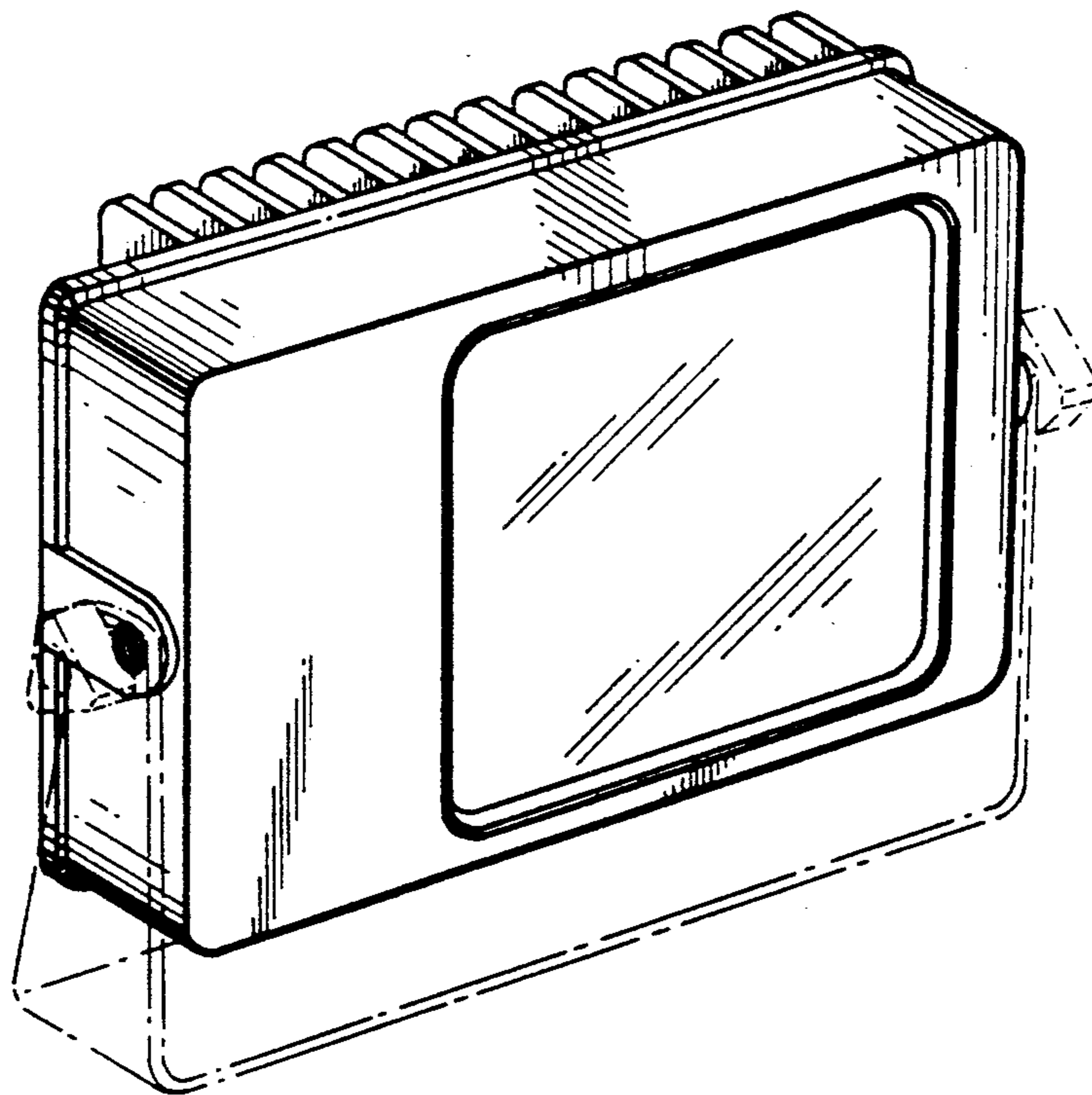
FIG. 4 is a right side elevational view thereof;

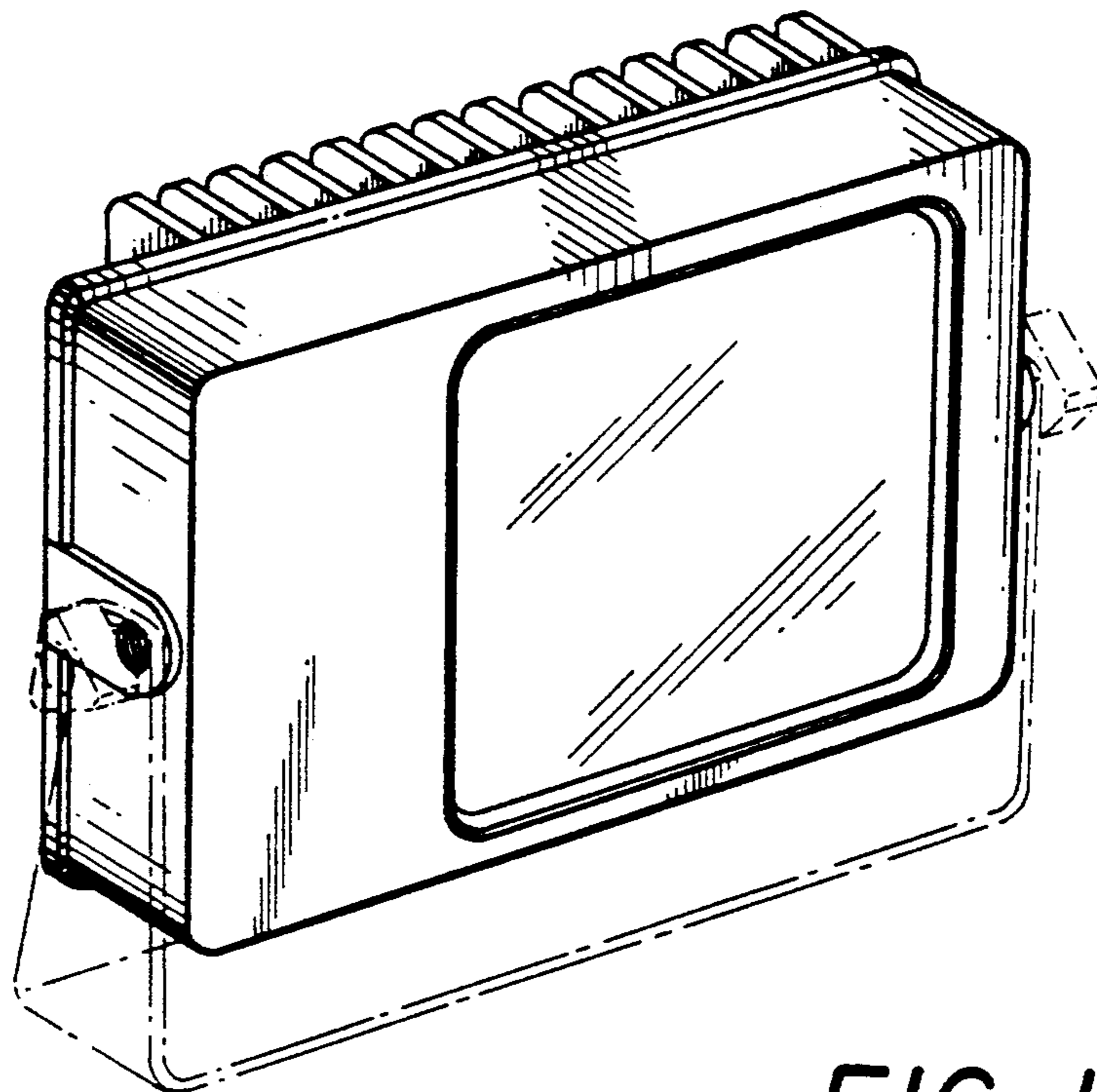
FIG. 5 is a left side elevational view thereof;

FIG. 6 is a top view thereof;

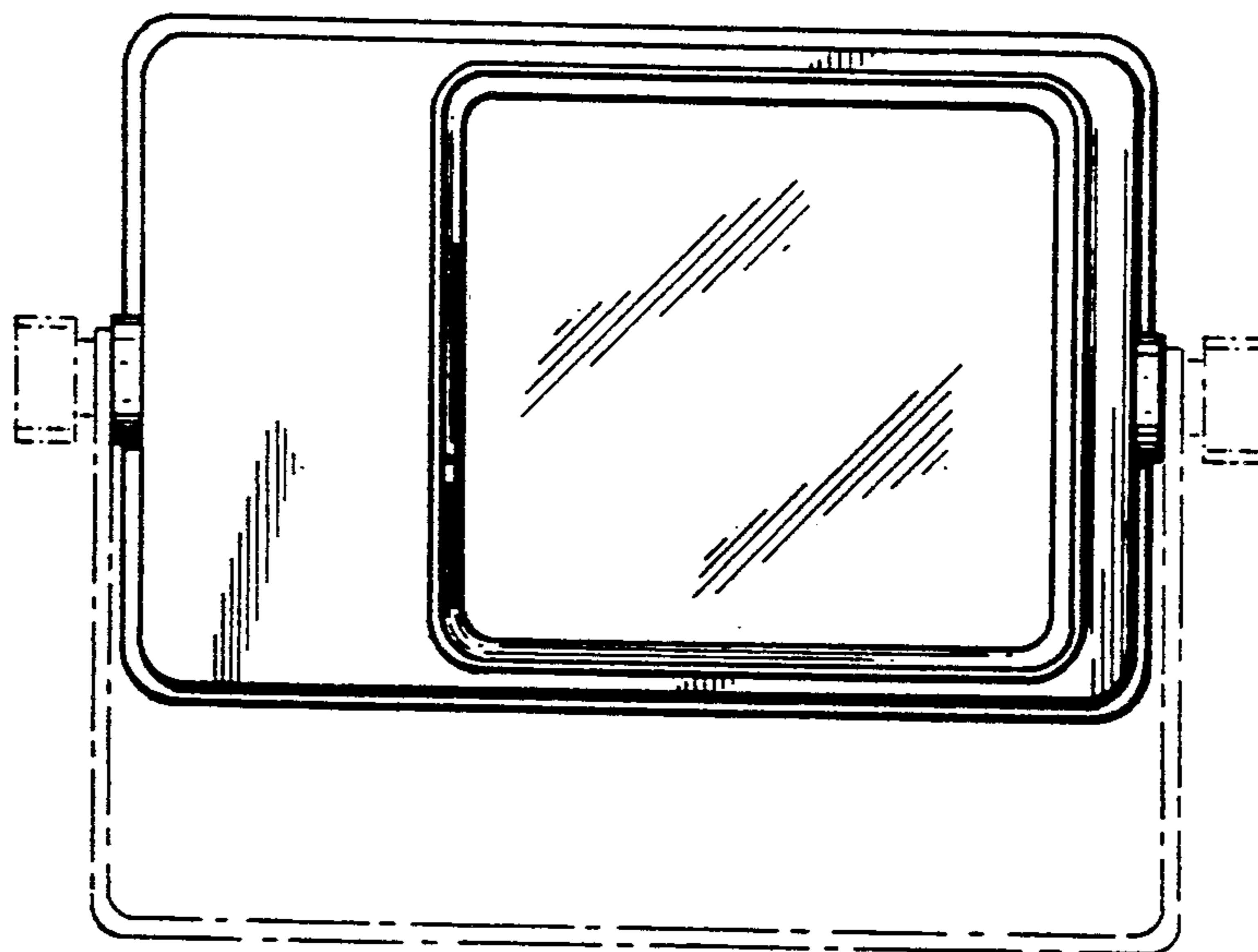
FIG. 7 is a bottom view thereof.

The support is shown in broken lines for illustrative purposes only.





*FIG. 1*



*FIG. 2*

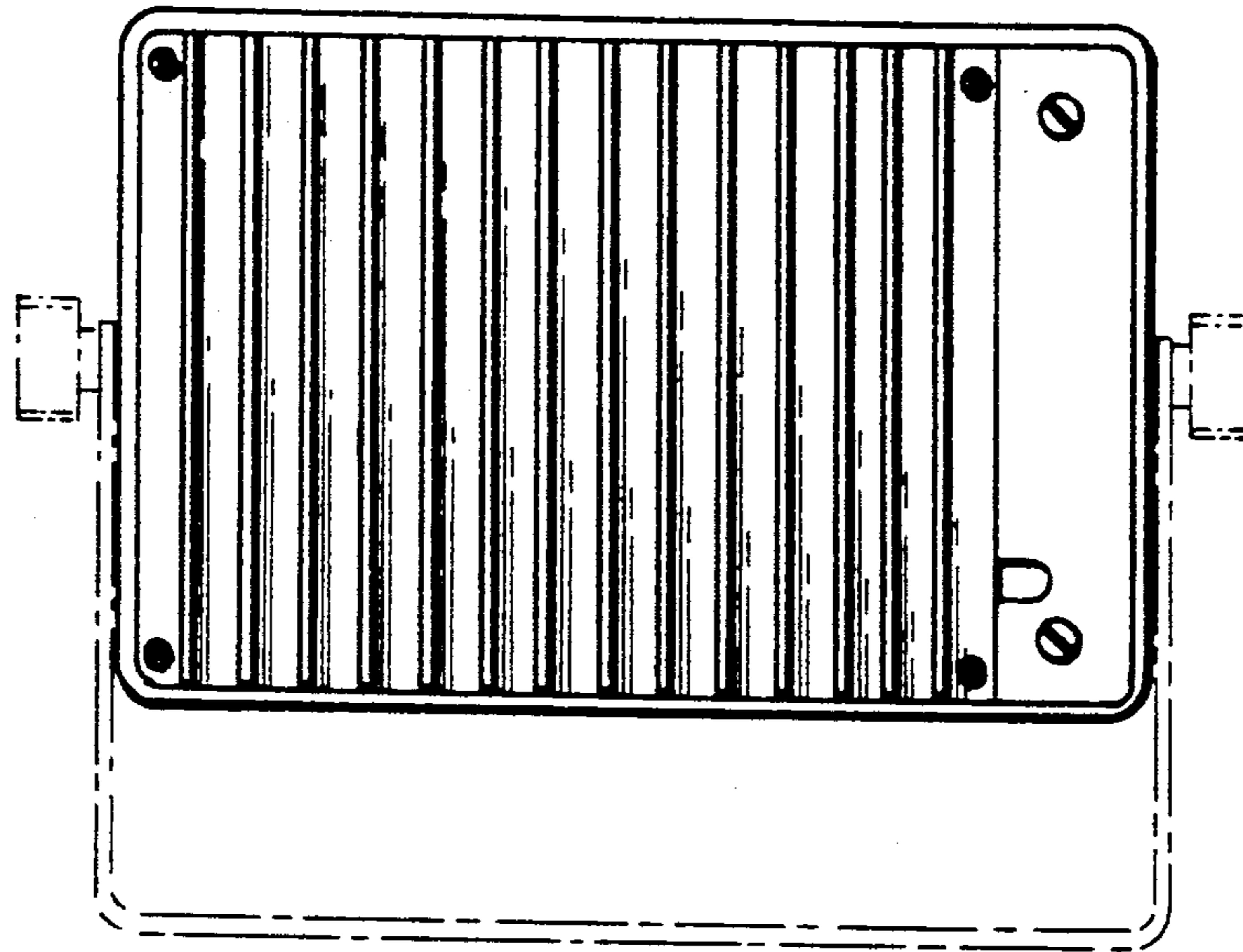


FIG. 3

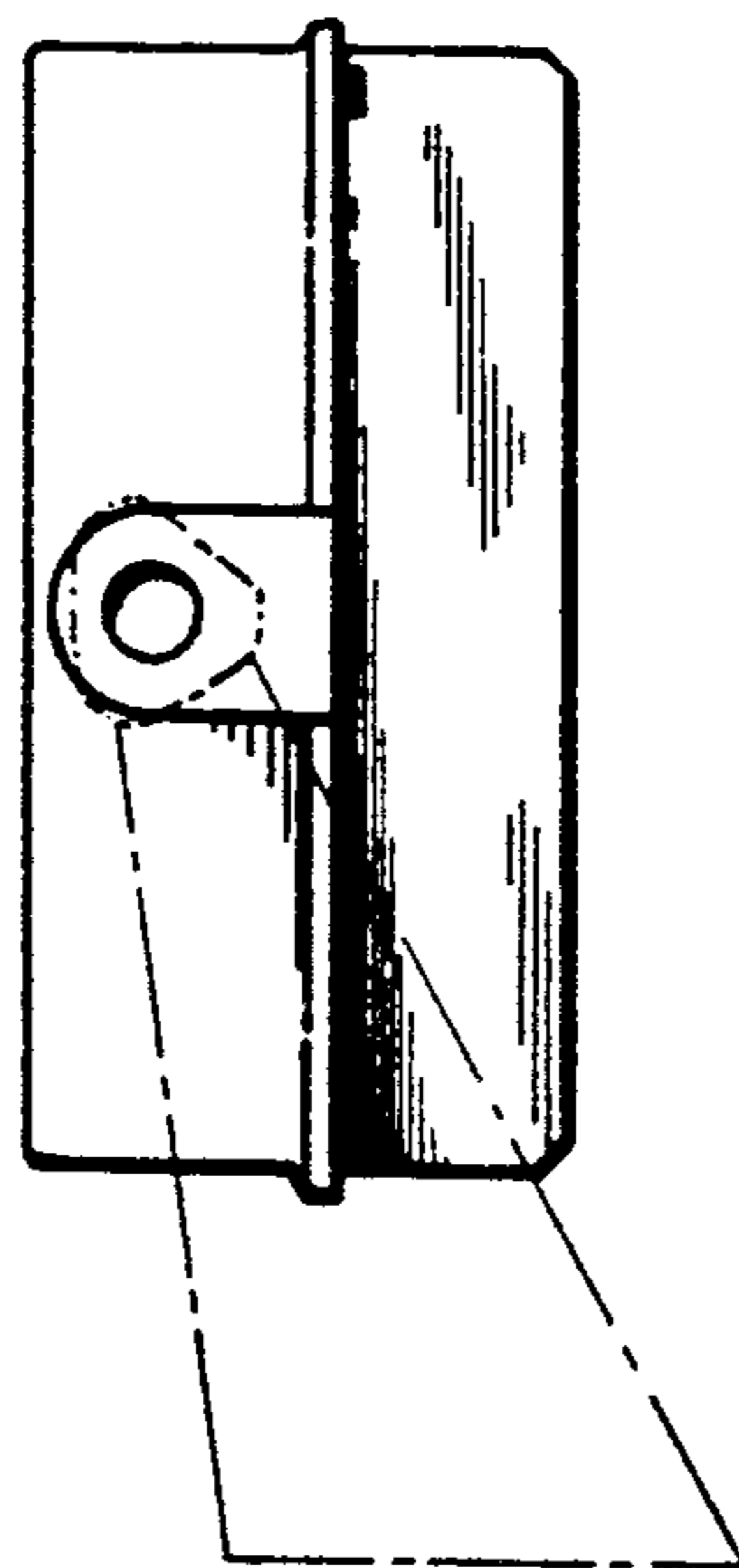


FIG. 4

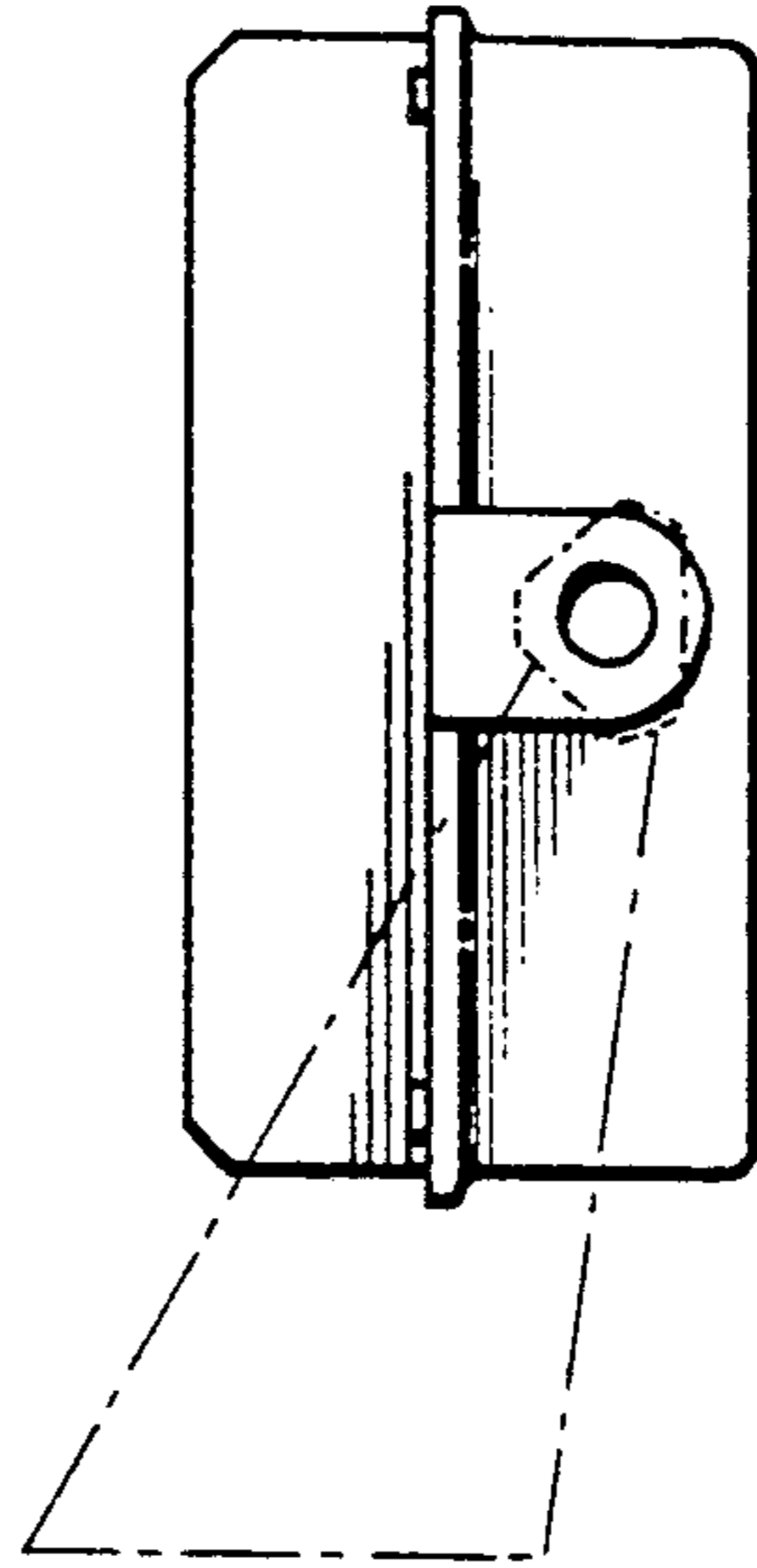


FIG. 5

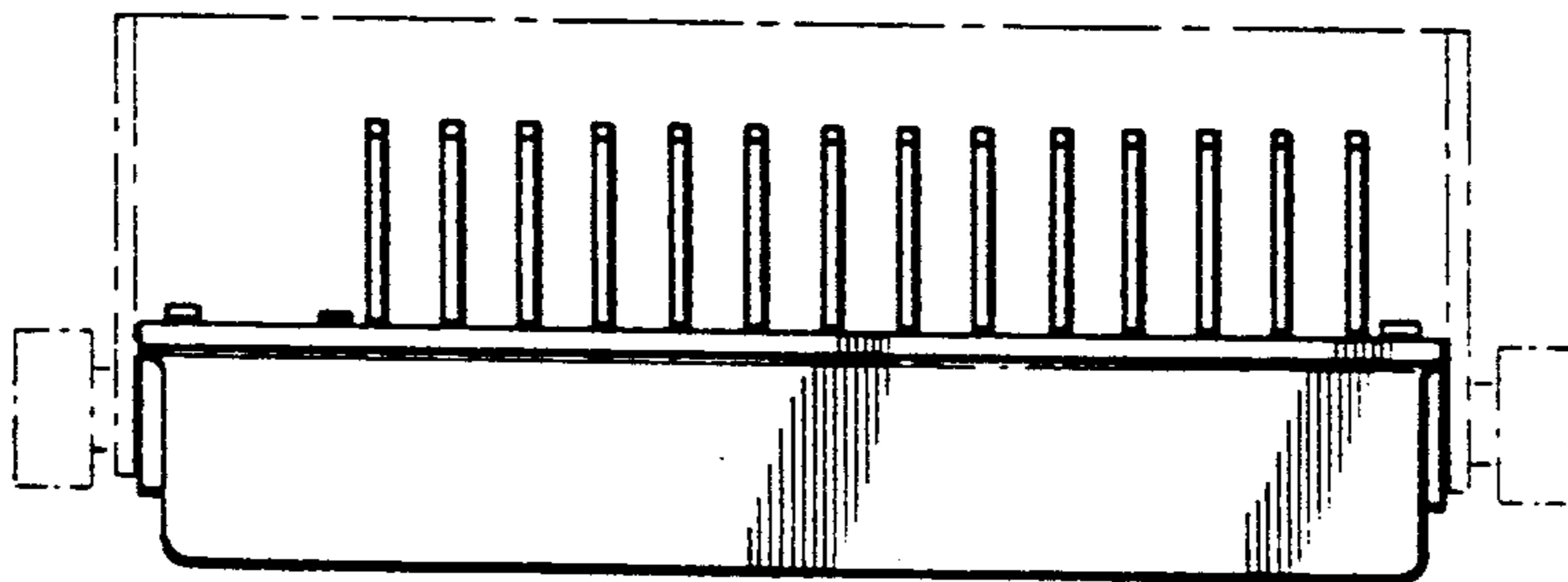


FIG. 6

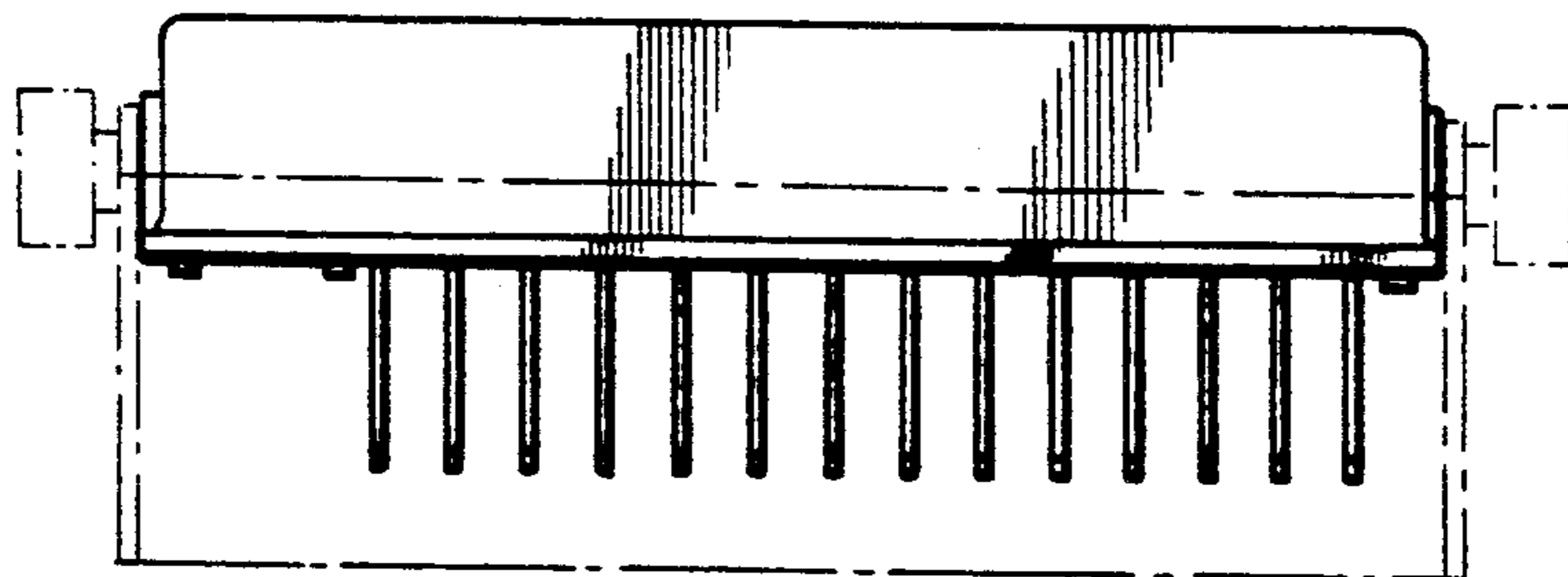


FIG. 7