

[54] **SAWHORSE**

[76] **Inventors:** Christopher C. Corneau, 26123 Nagel, Roseville, Mich. 48066; John J. Wasolek, 4440 Fenton Rd., Hartland, Mich. 48029

[**] **Term:** 14 Years

[21] **Appl. No.:** 488,802

[22] **Filed:** Mar. 1, 1990

Related U.S. Application Data

[63] Continuation of Ser. No. 204,776, Jun. 10, 1988.
[52] **U.S. Cl.** D25/67
[58] **Field of Search** D25/67, 62, 64, 100, D25/101, 66; 182/181-186, 224-227, 153, 151; 144/286 R, 286 A

[56] **References Cited**

U.S. PATENT DOCUMENTS

D. 213,254 1/1969 Hollingsworth .
304,207 8/1884 Langlais .
4,278,148 7/1981 Daley et al. .

FOREIGN PATENT DOCUMENTS

706207 5/1966 Italy .

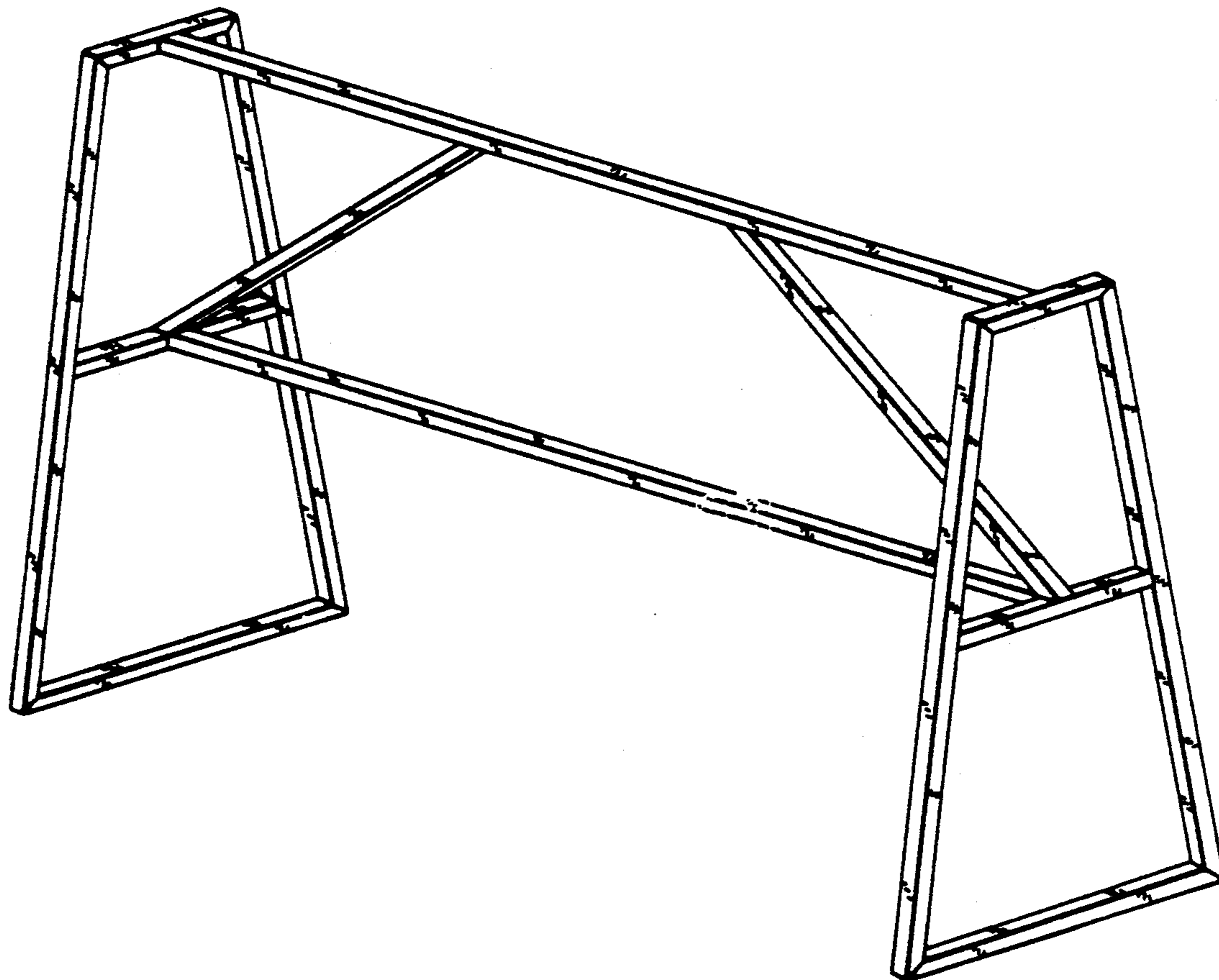
Primary Examiner—A. Hugo Word
Assistant Examiner—Doris Clark
Attorney, Agent, or Firm—Dykema Gossett

[57] **CLAIM**

The ornamental design for a sawhorse, as shown and described.

DESCRIPTION

FIG. 1 is a top, front, right side perspective view of a sawhorst showing our new design;
FIG. 2 is a front elevational view, the rear elevational view being a mirror image thereof; and
FIG. 3 is a right side elevational view, the left side elevational view being a mirror image thereof.



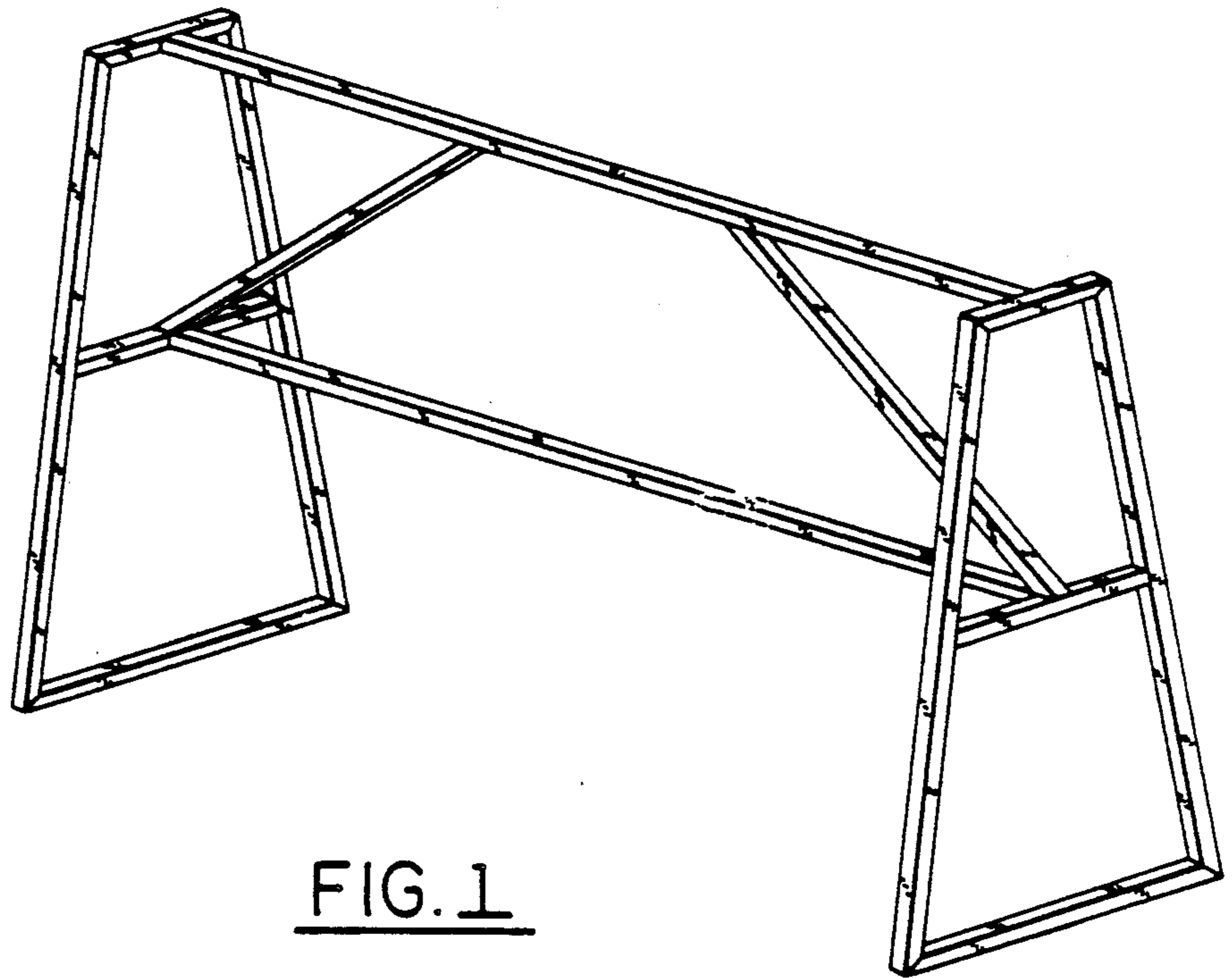


FIG. 1

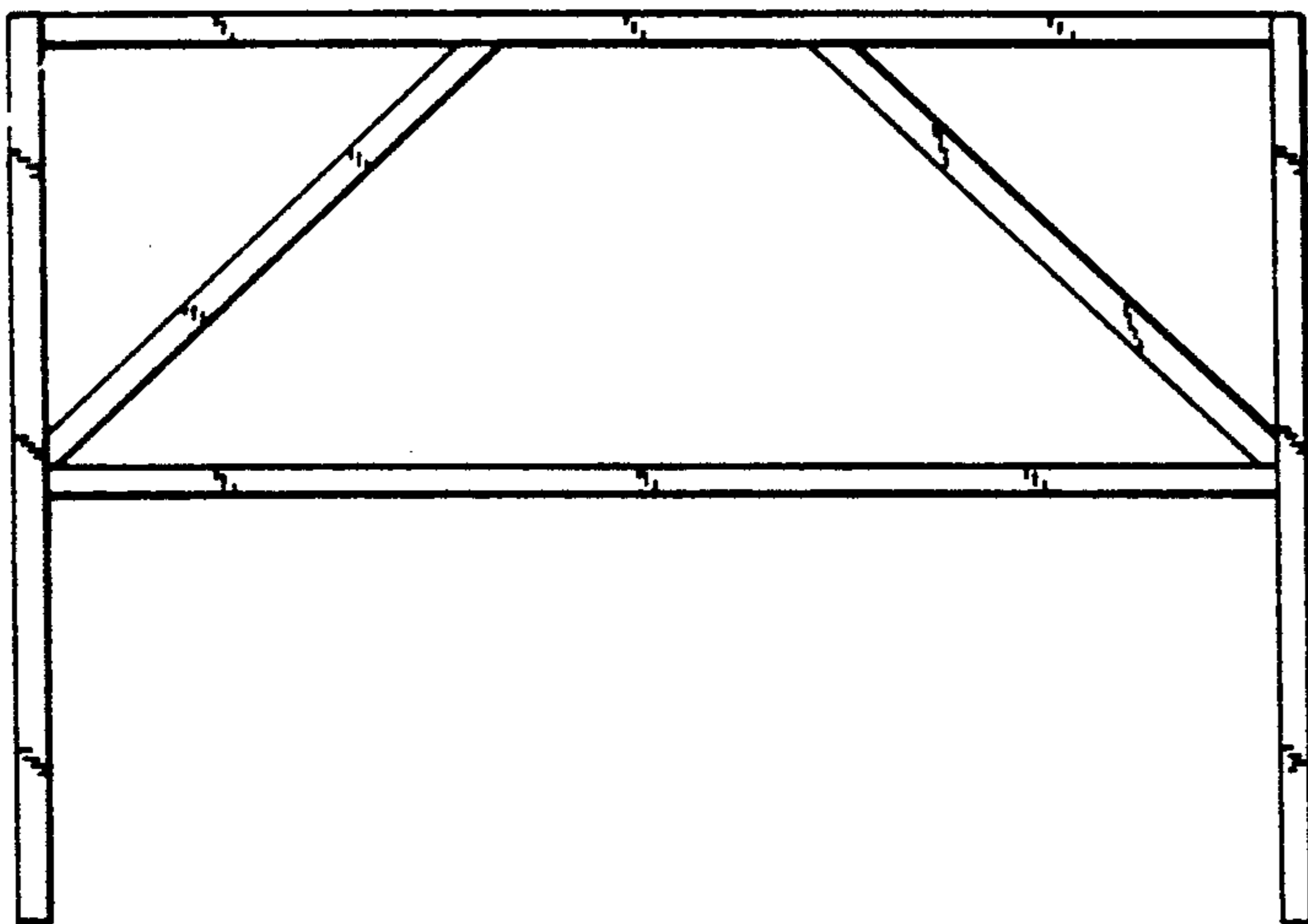


FIG. 2

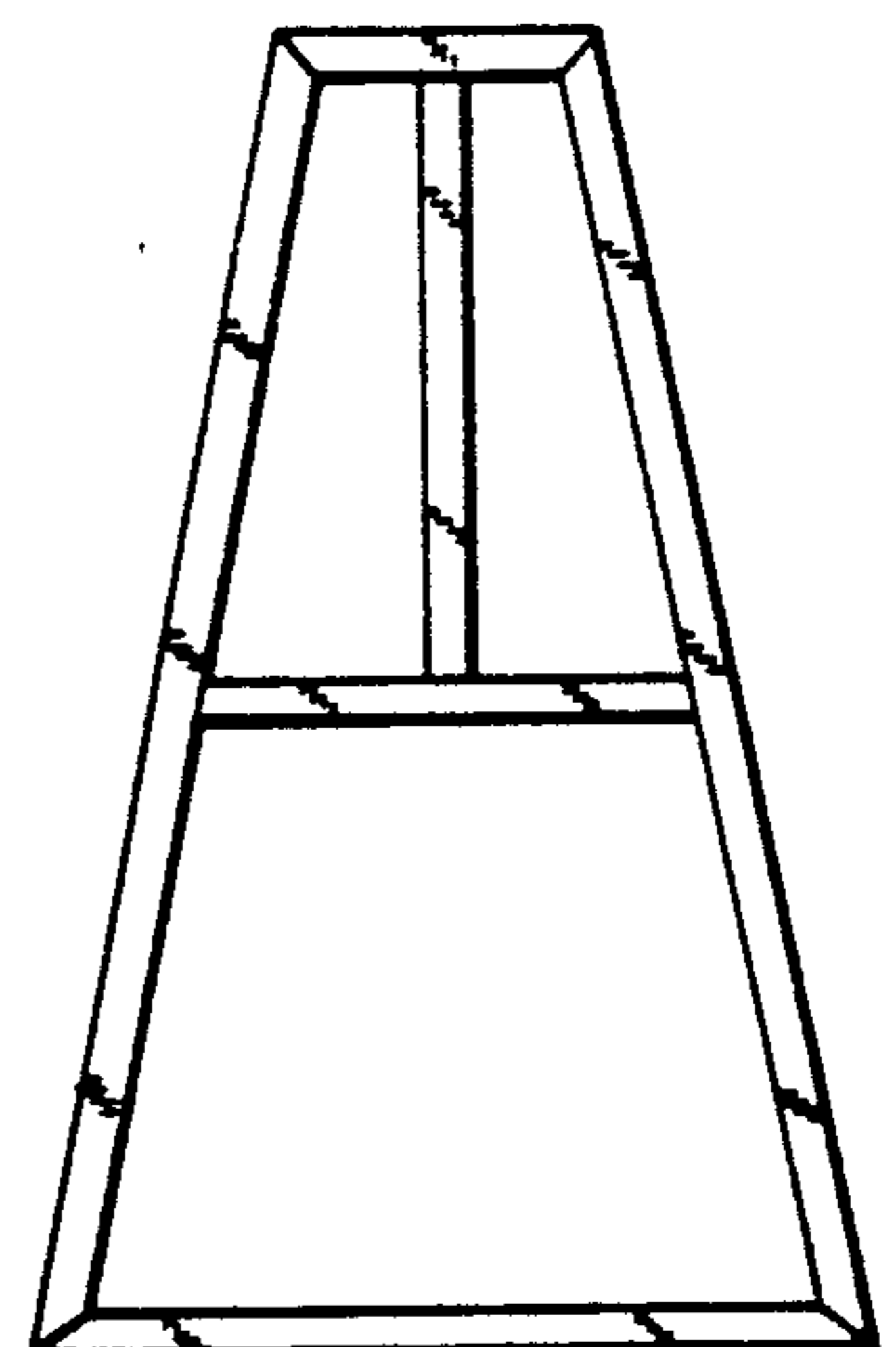


FIG. 3