

[54] **CROSS BRACE FOR A PLATFORM ASSEMBLY**
[75] **Inventor: Jon H. Eickhoff, Kalamazoo, Mich.**
[73] **Assignee: Ronningen Research & Development Company, Vicksburg, Mich.**
[**] **Term: 14 Years**
[21] **Appl. No.: 446,918**
[22] **Filed: Dec. 6, 1989**
[52] **U.S. Cl. D25/62**
[58] **Field of Search D25/62, 66, 68, 69, D25/127, 134; D12/316-317; 405/218-221, 195, 196, 198, 197, 199, 200; 114/44, 45, 263, 266, 267; 182/179, 180, 222, 223; 248/351**

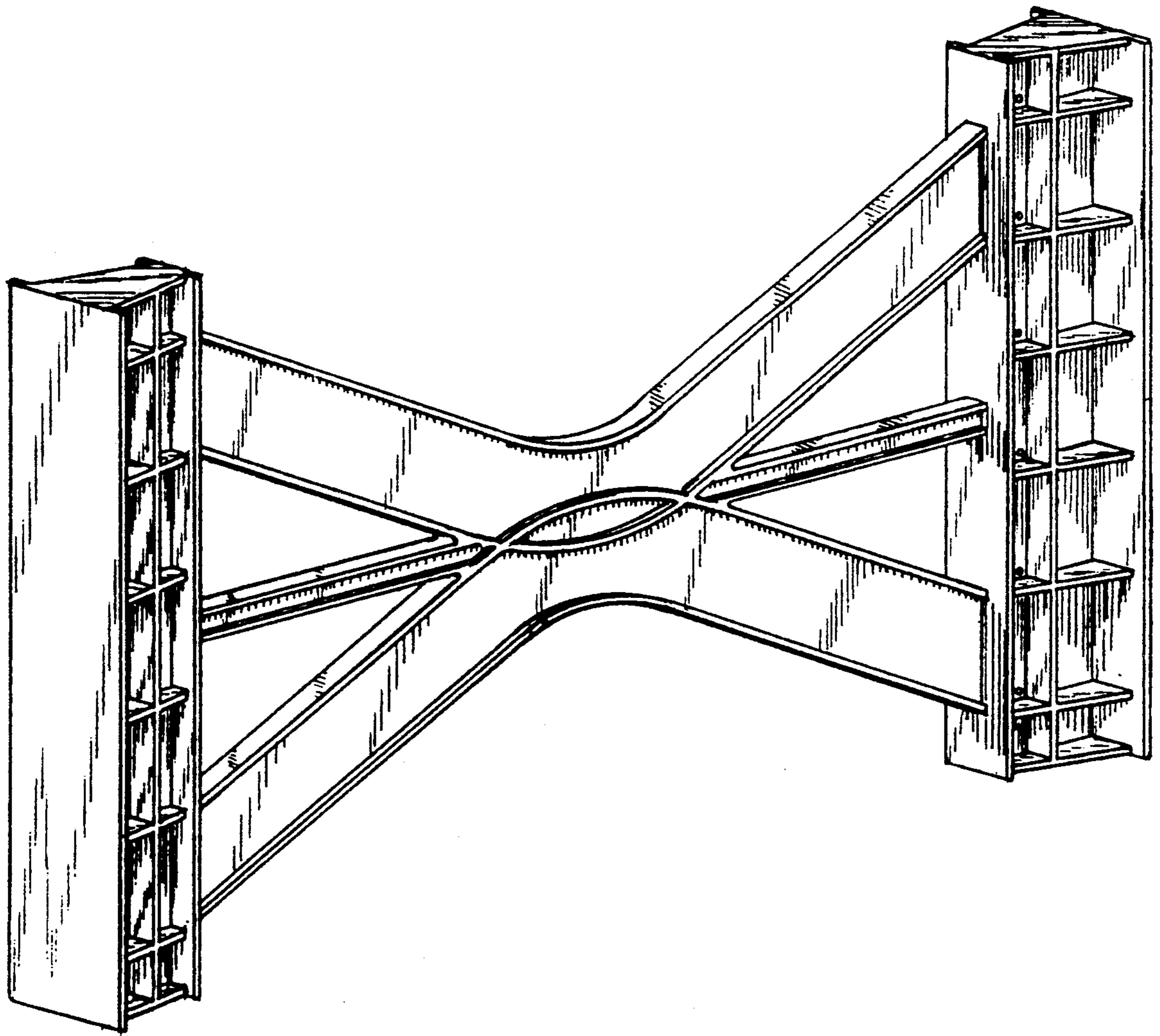
[56] **References Cited**
U.S. PATENT DOCUMENTS
D. 191,830 11/1961 Rude D25/64

2,687,617 8/1954 Newell 405/221
2,759,331 8/1956 Fiebinger et al. 405/219
2,925,921 2/1960 DePew et al. 182/179
4,349,297 9/1982 Misener 182/222

Primary Examiner—A. Hugo Word
Assistant Examiner—Doris Clark
Attorney, Agent, or Firm—Flynn, Thiel, Boutell & Tanis

[57] **CLAIM**
The ornamental design for a cross brace for a platform assembly, as shown and described.

DESCRIPTION
FIG. 1 is a left front perspective view of a cross brace for a platform assembly showing my new design; FIG. 2 is a front elevational view, the rear being a mirror image thereof; FIG. 3 is a right end elevational view, the left end being a mirror image thereof; and FIG. 4 is a top plan view, the bottom being a mirror image thereof.



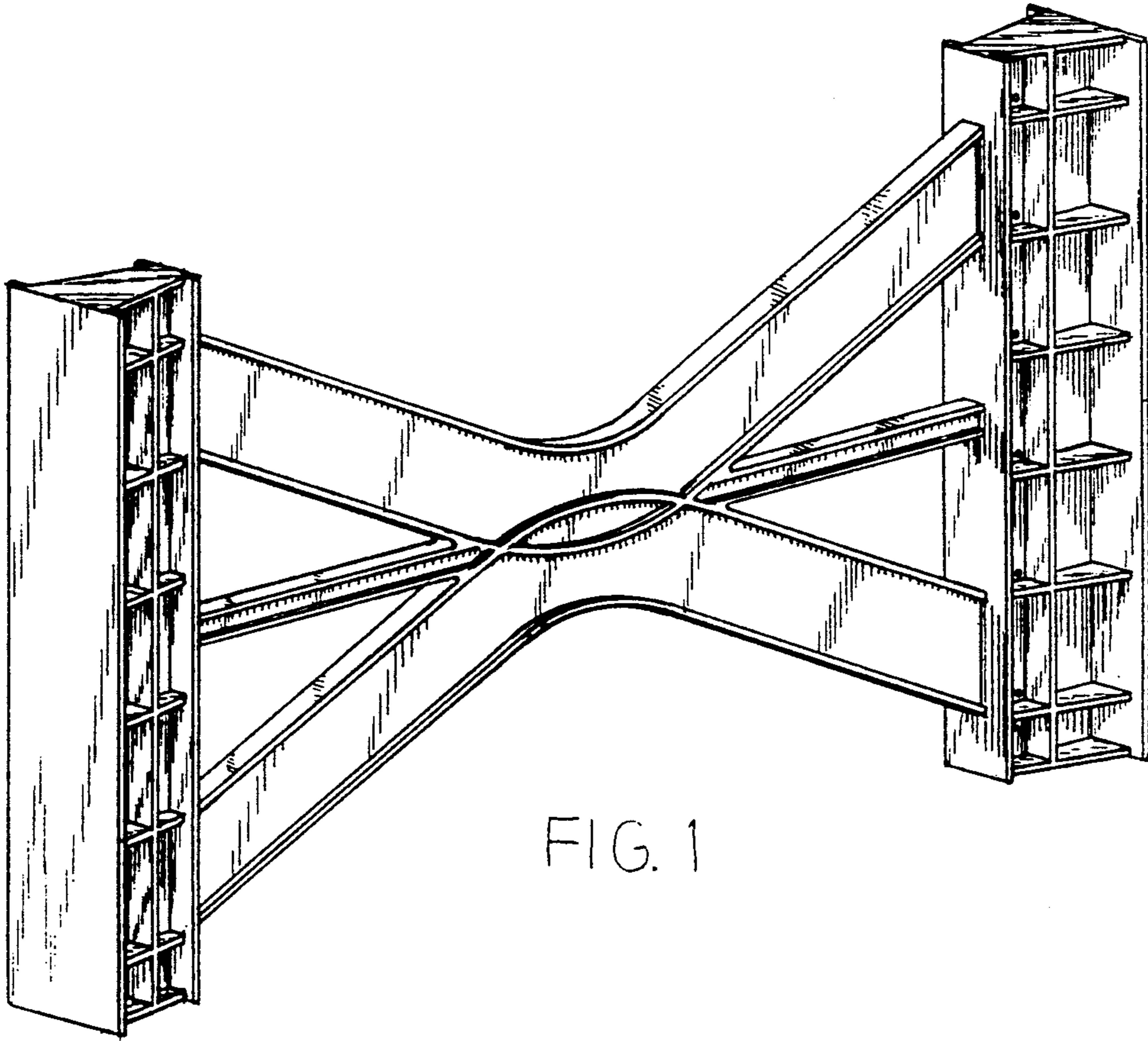


FIG. 1

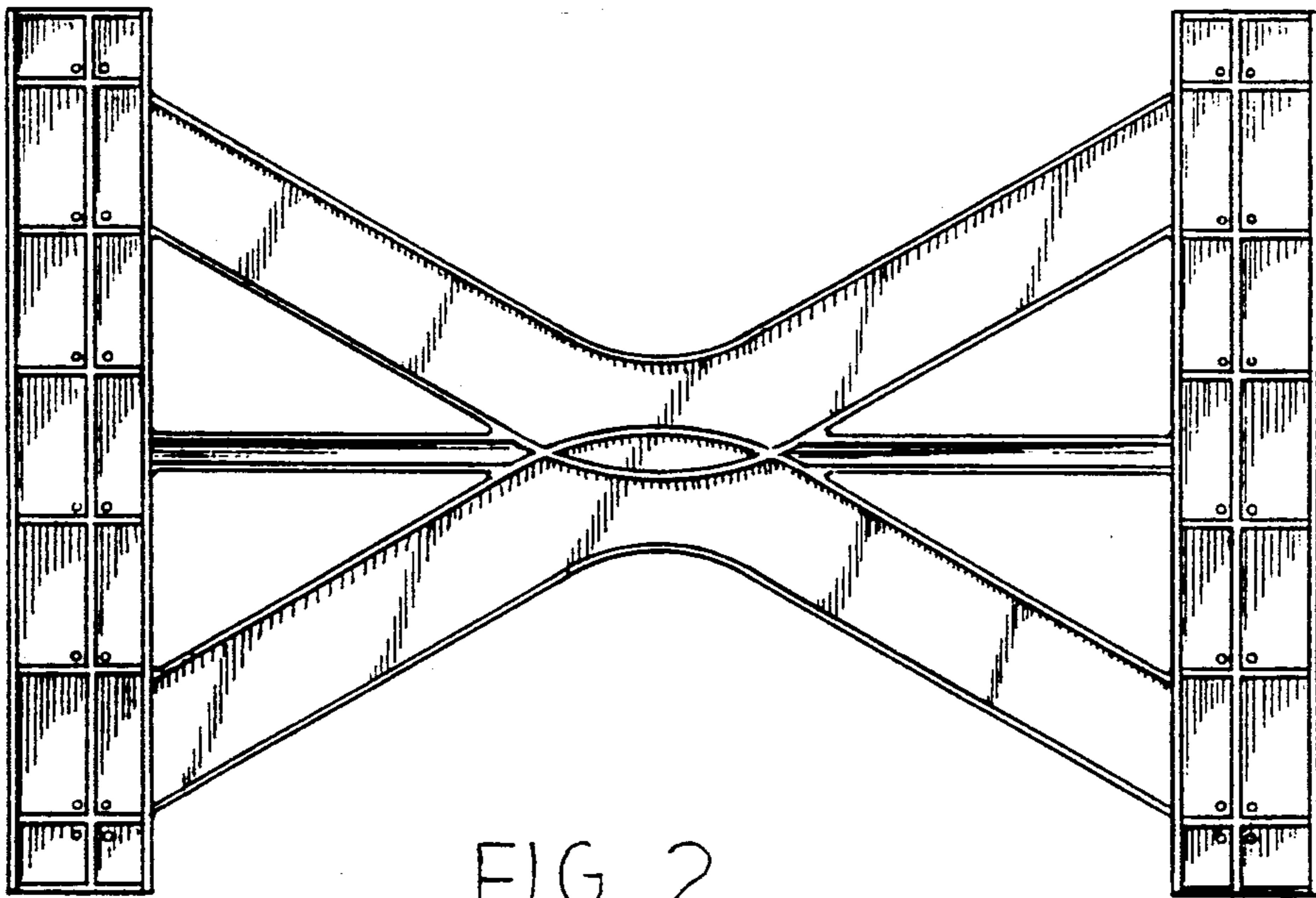


FIG. 2

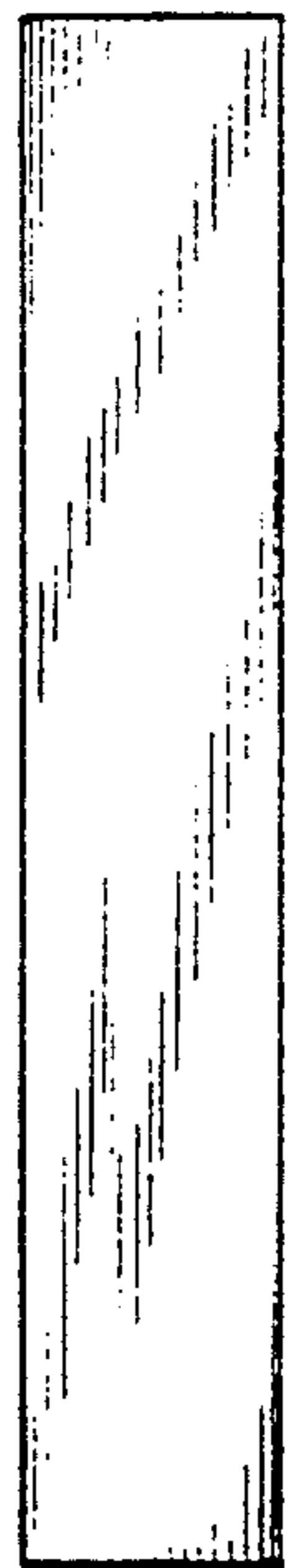


FIG. 3

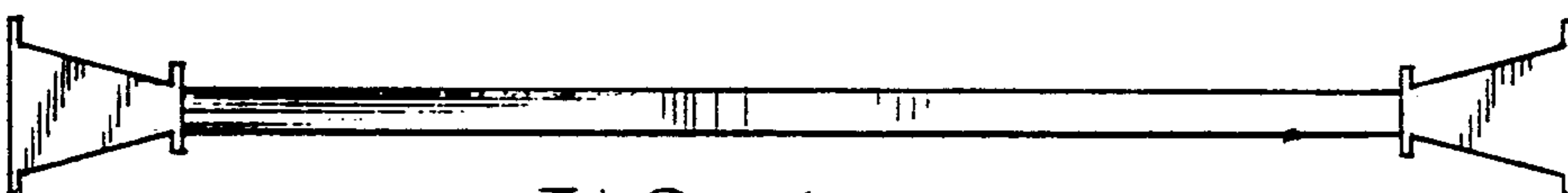


FIG. 4