

[54] VIEWING WINDOW

[75] Inventors: Chozo Matsumoto, Mie; Tsuyoshi Yonezawa, Osaka, both of Japan

[73] Assignee: Tsubakimoto Bulk Systems Corporation, Osaka, Japan

[**] Term: 14 Years

[21] Appl. No.: 354,697

[22] Filed: May 18, 1989

[52] U.S. Cl. D25/52; D25/48

[58] Field of Search D25/47, 48, 52, 58, D25/59; 49/163

[56] References Cited

U.S. PATENT DOCUMENTS

93,502	10/1910	Hamiman et al.	49/163
D. 179,029	10/1956	Nielsen	D25/48
D. 302,311	7/1988	Buck	D25/48
4,791,762	12/1988	Hwang	D25/52

Primary Examiner—A. Hugo Word
Assistant Examiner—Doris Clark

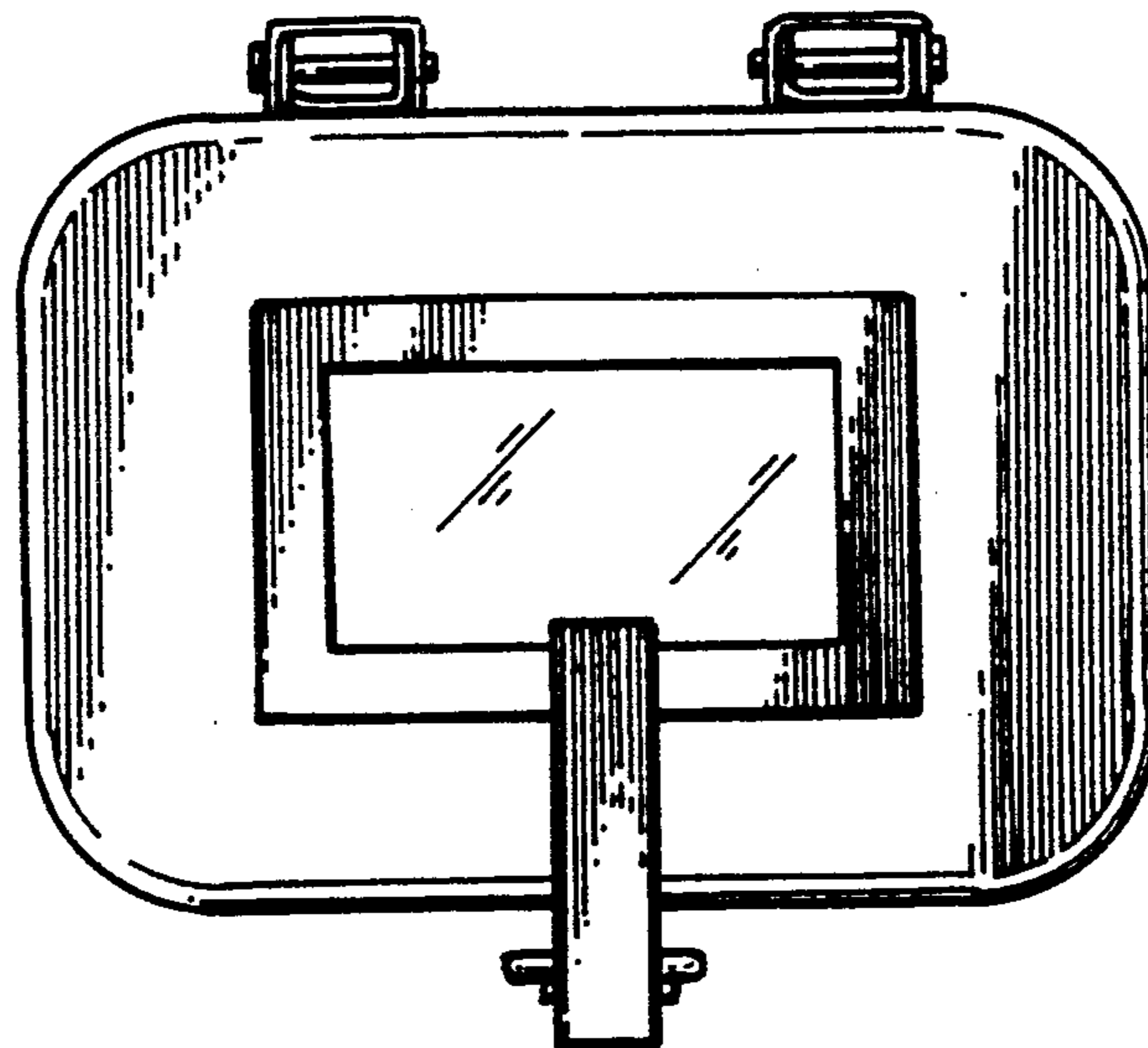
Attorney, Agent, or Firm—Dann, Dorfman, Herrell and Skillman

[57] CLAIM

The ornamental design for a viewing window, as shown and described.

DESCRIPTION

FIG. 1 is a top plan view of a viewing window showing our new design;
 FIG. 2 is a bottom plan view thereof;
 FIG. 3 is a front elevational view thereof;
 FIG. 4 is a right side elevational view; the left side being a mirror image thereof;
 FIG. 5 is a rear elevational view thereof;
 FIG. 6 is a top plan view of a second embodiment of a viewing window showing our new design;
 FIG. 7 is a bottom plan view thereof;
 FIG. 8 is a front elevational view thereof;
 FIG. 9 is a right side elevational view, the left side being a mirror image thereof;
 FIG. 10 is a rear elevational view thereof;
 FIG. 11 is a right side elevational view of the viewing window in FIG. 4 with the cover raised; and
 FIG. 12 is a right side elevational view of the viewing window in FIG. 9 with the cover raised.



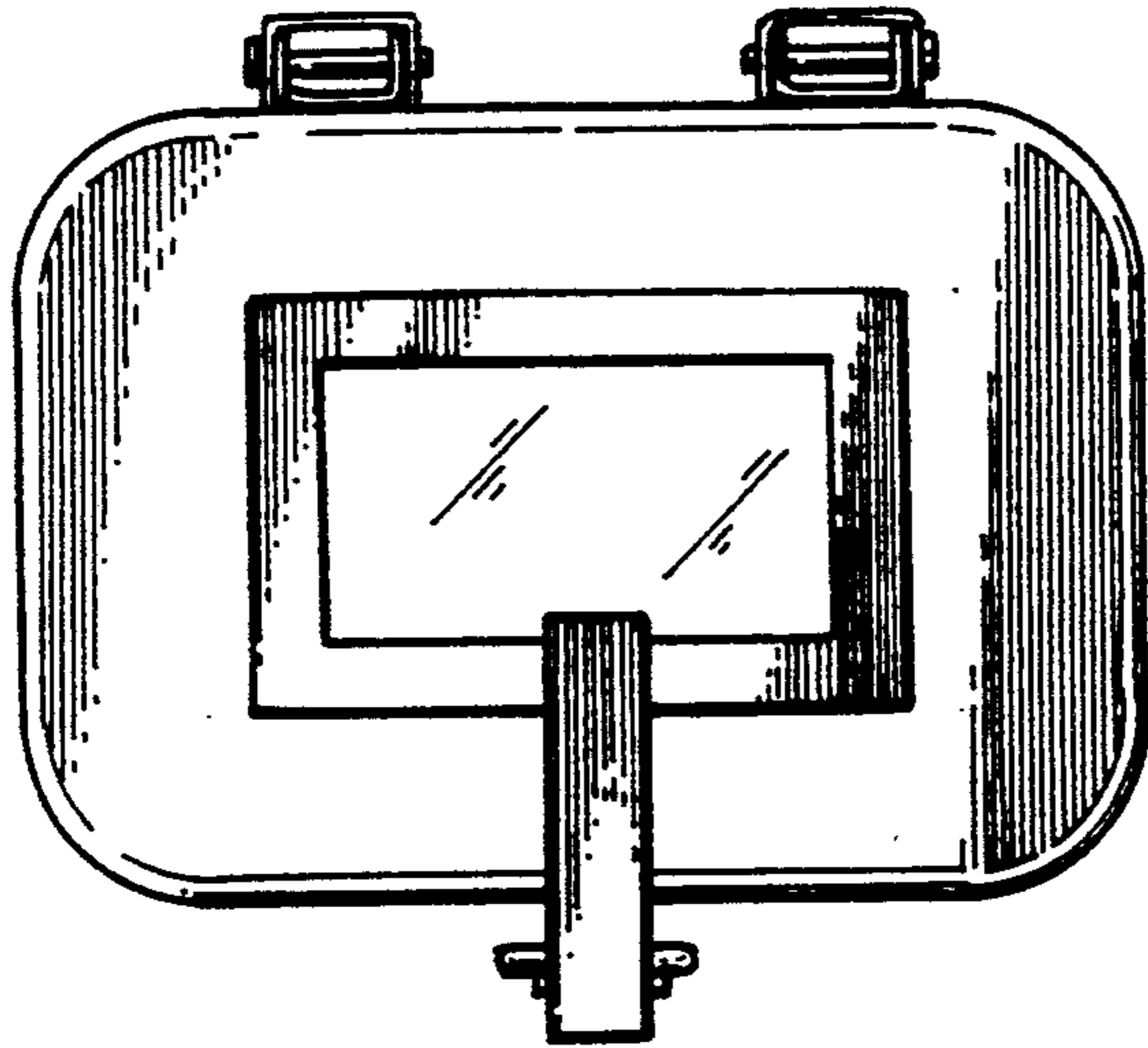


FIG. 1

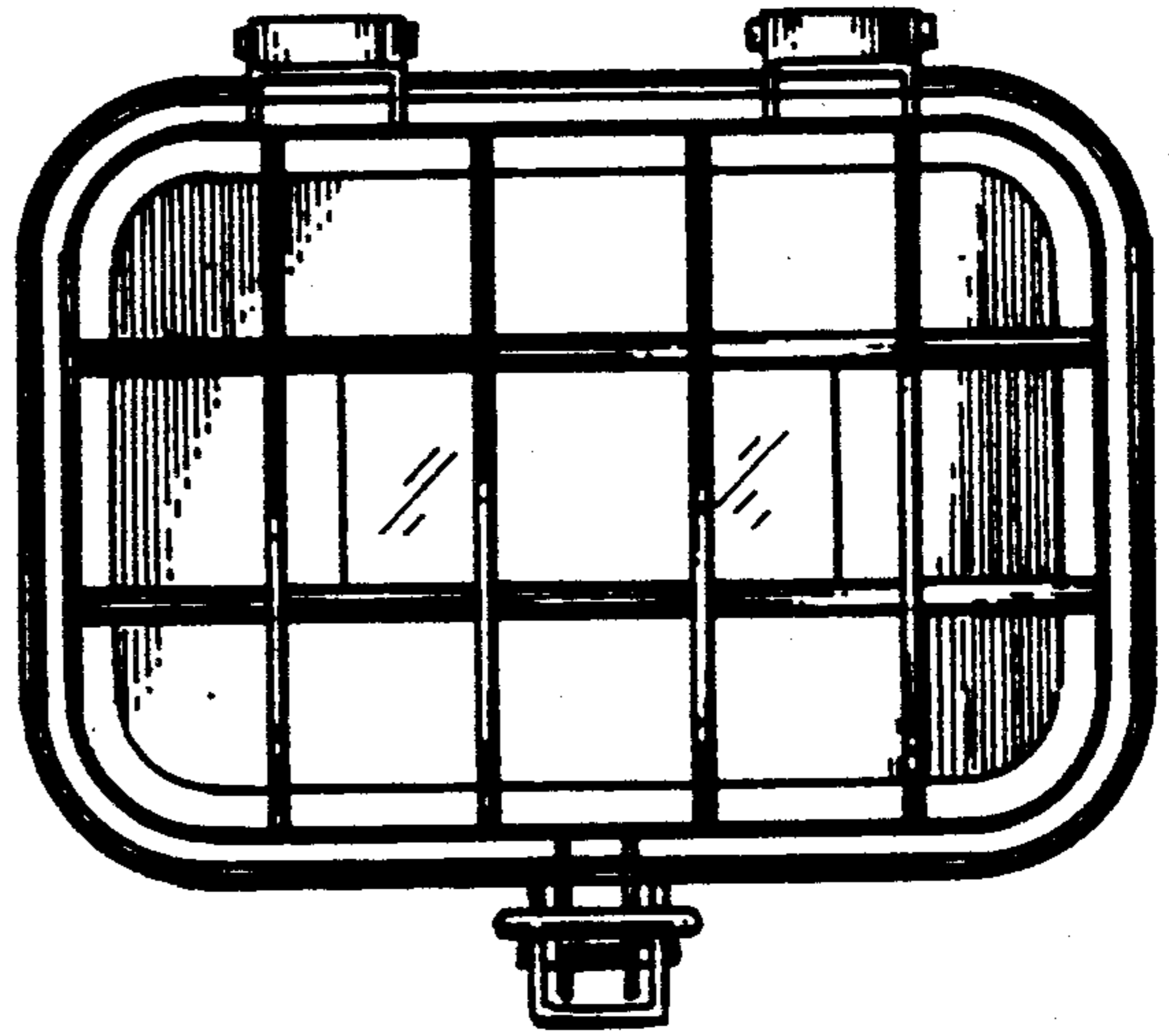


FIG. 2

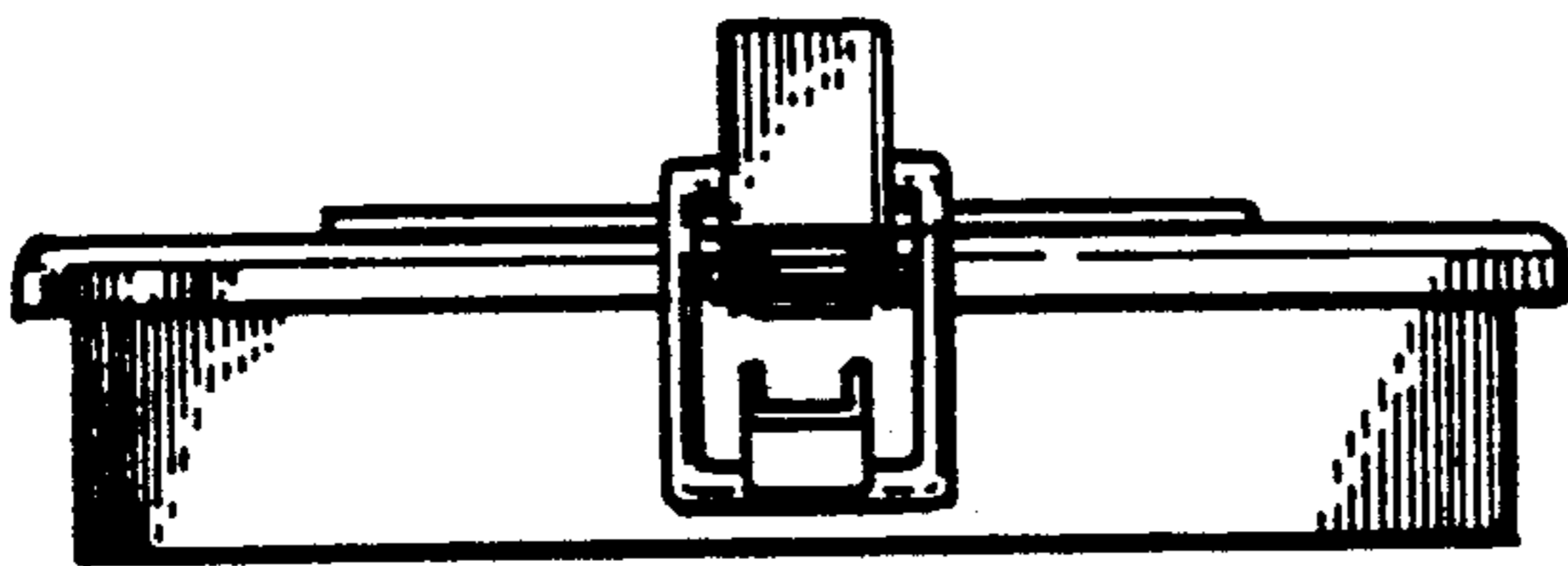


FIG. 3

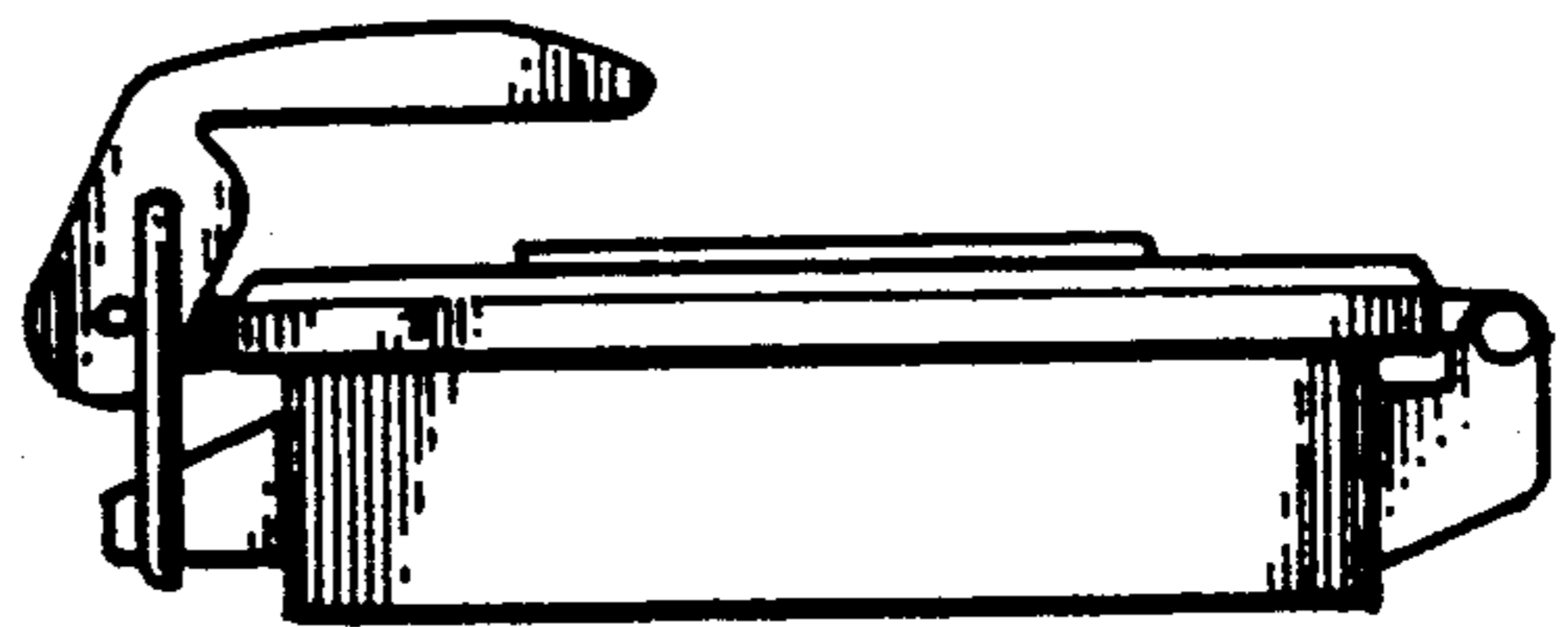


FIG. 4

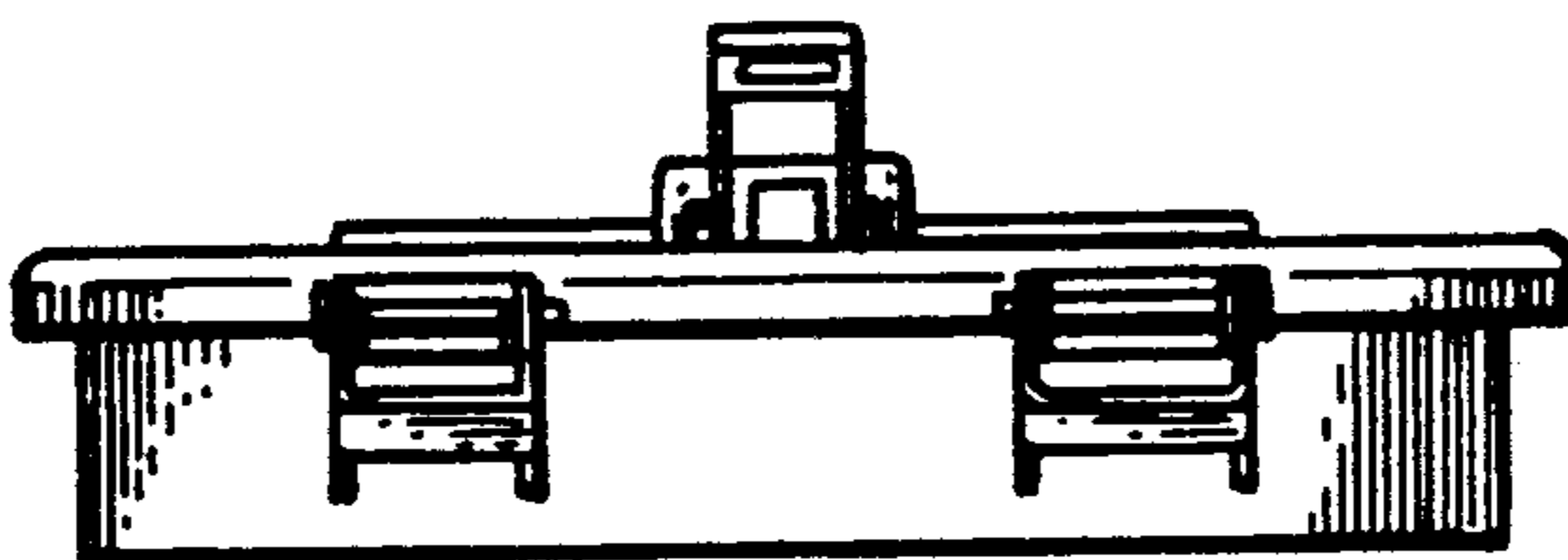


FIG. 5

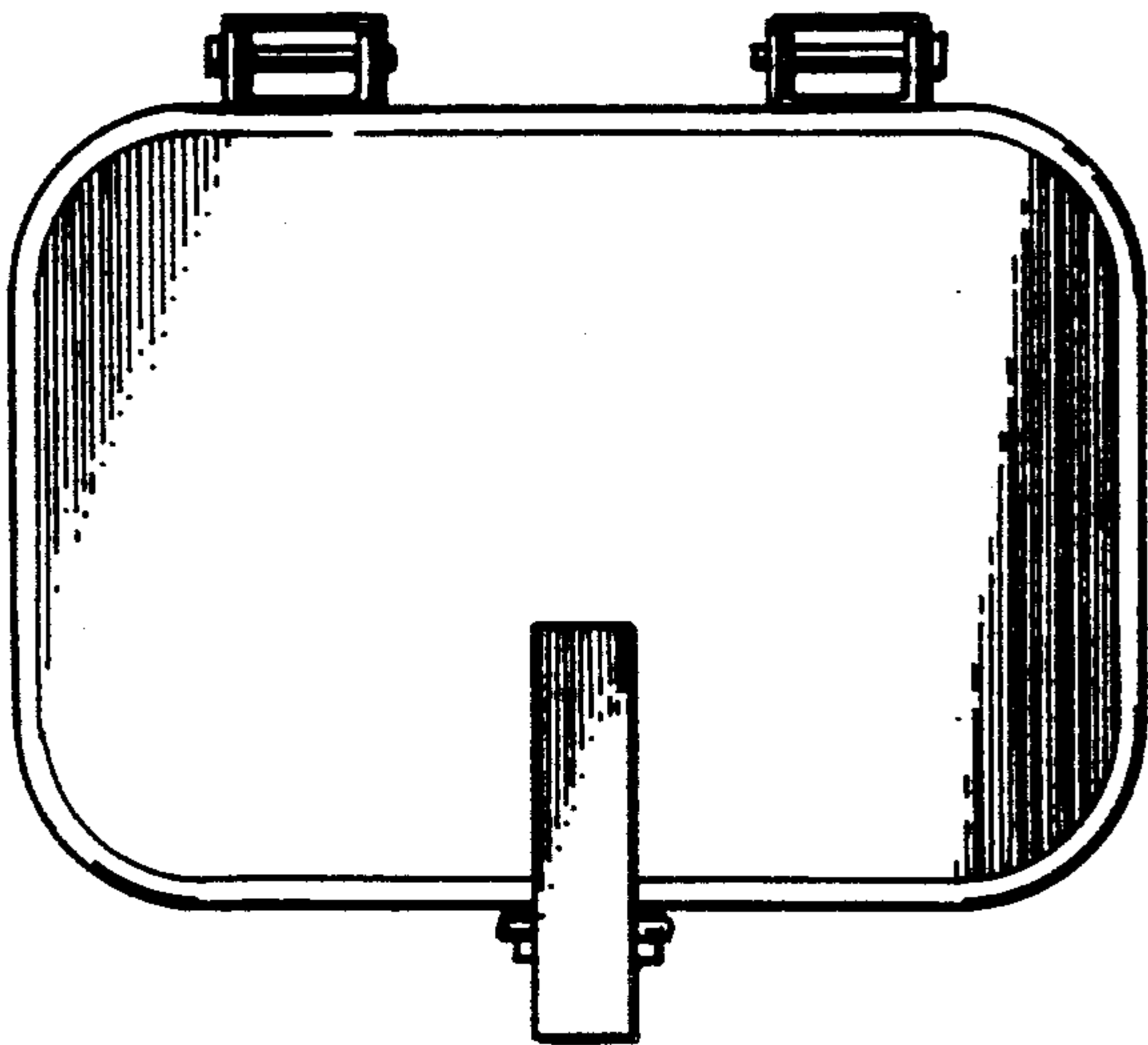


FIG. 6

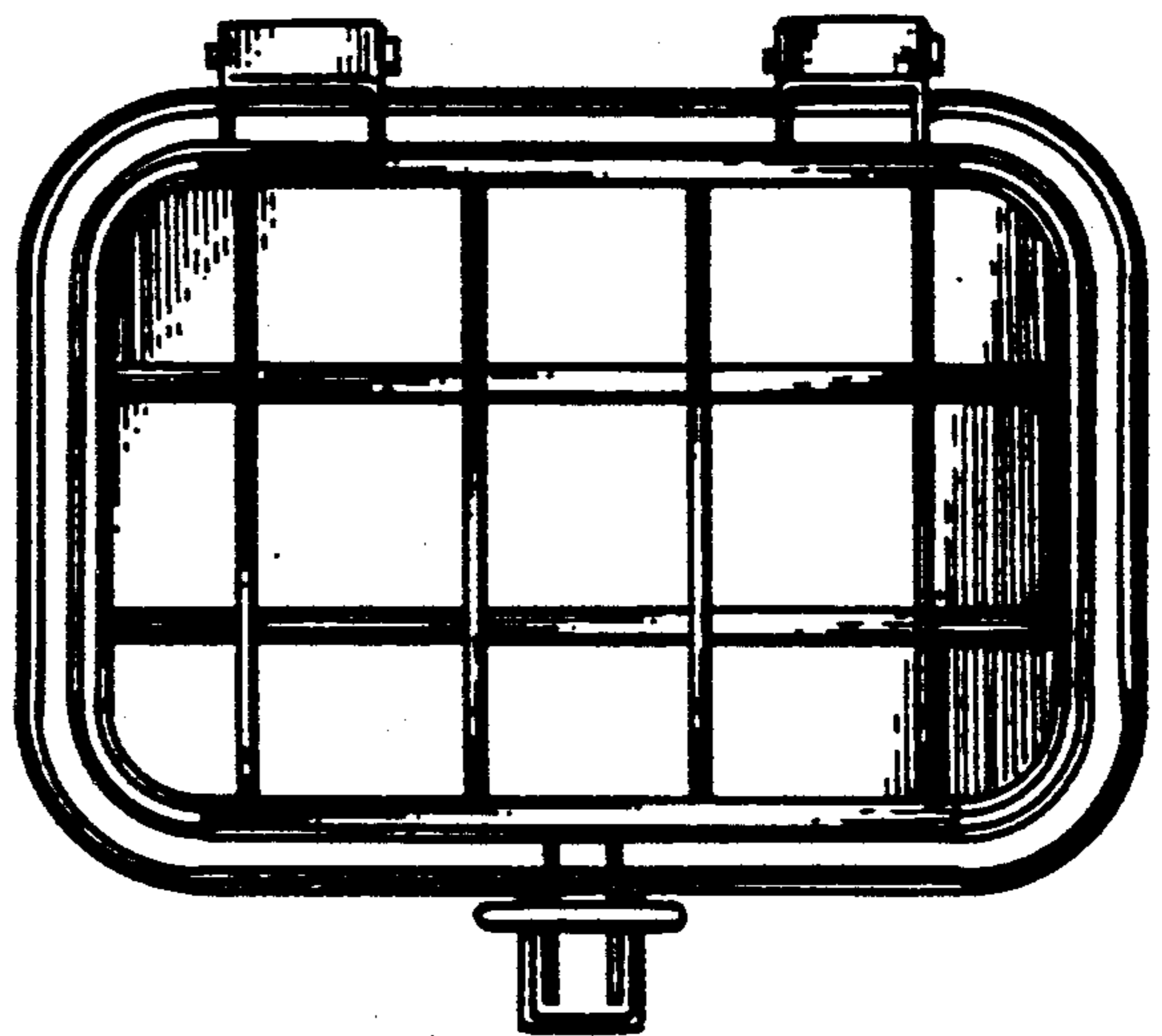


FIG. 7

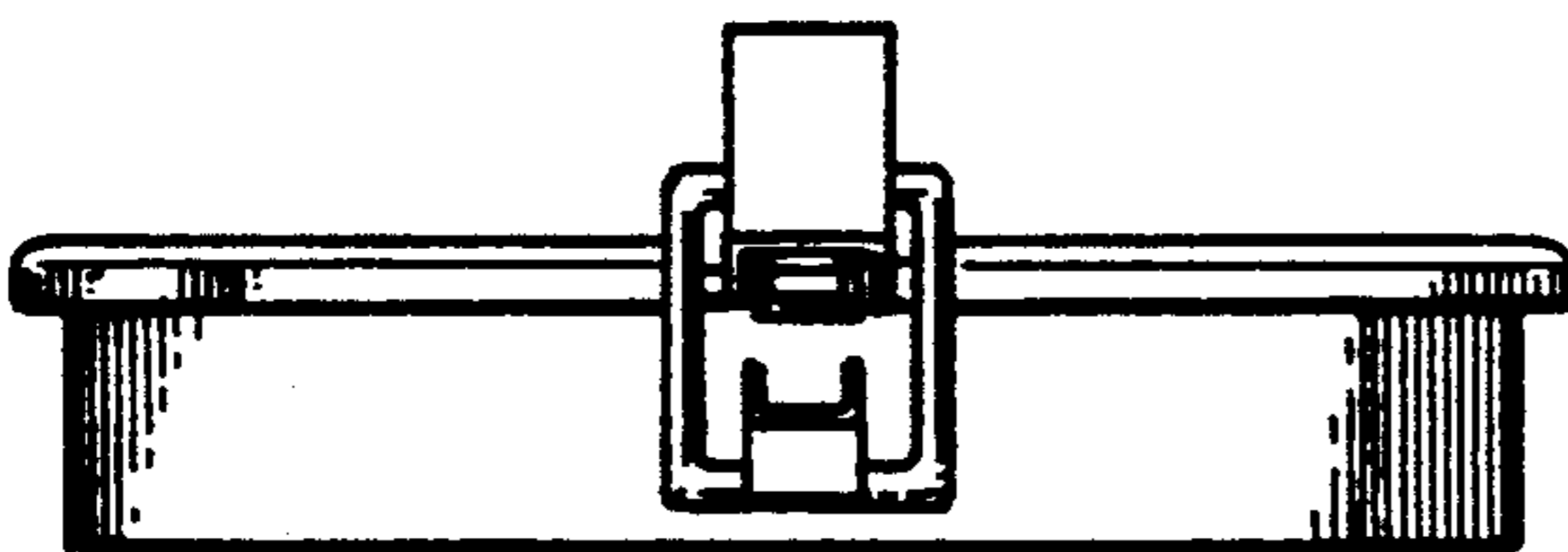


FIG. 8

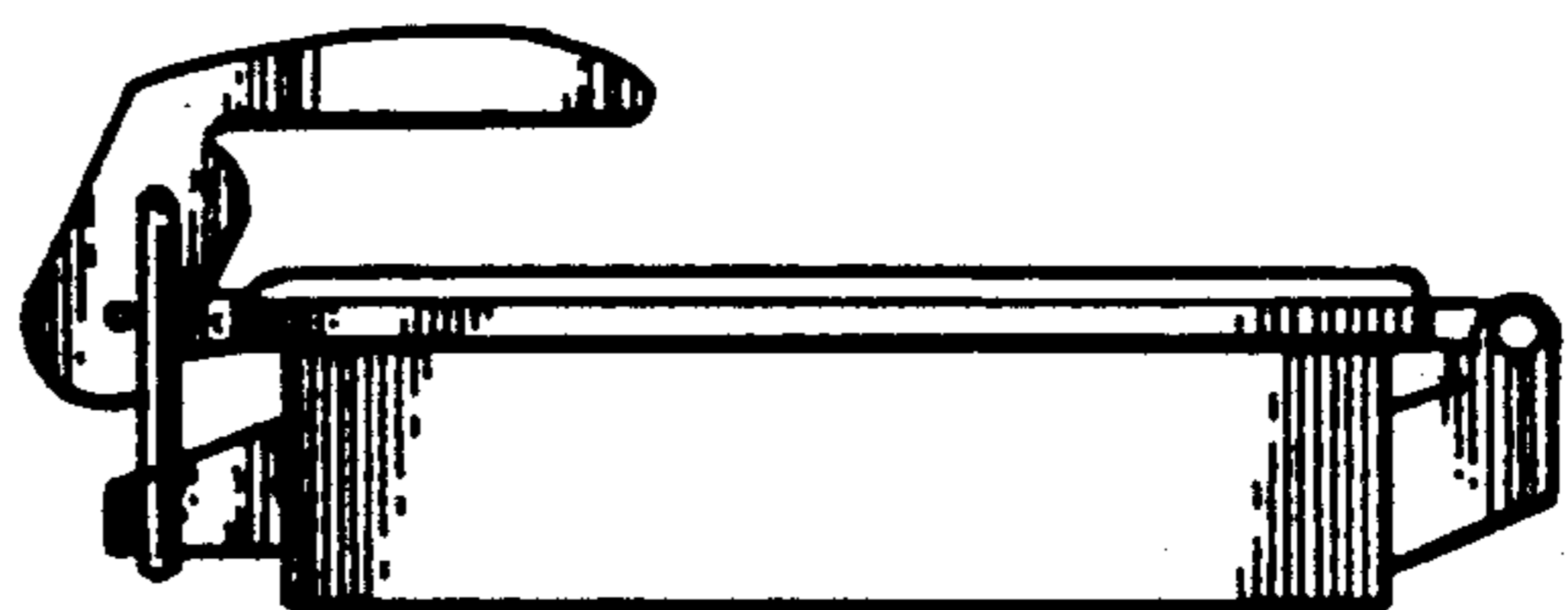


FIG. 9

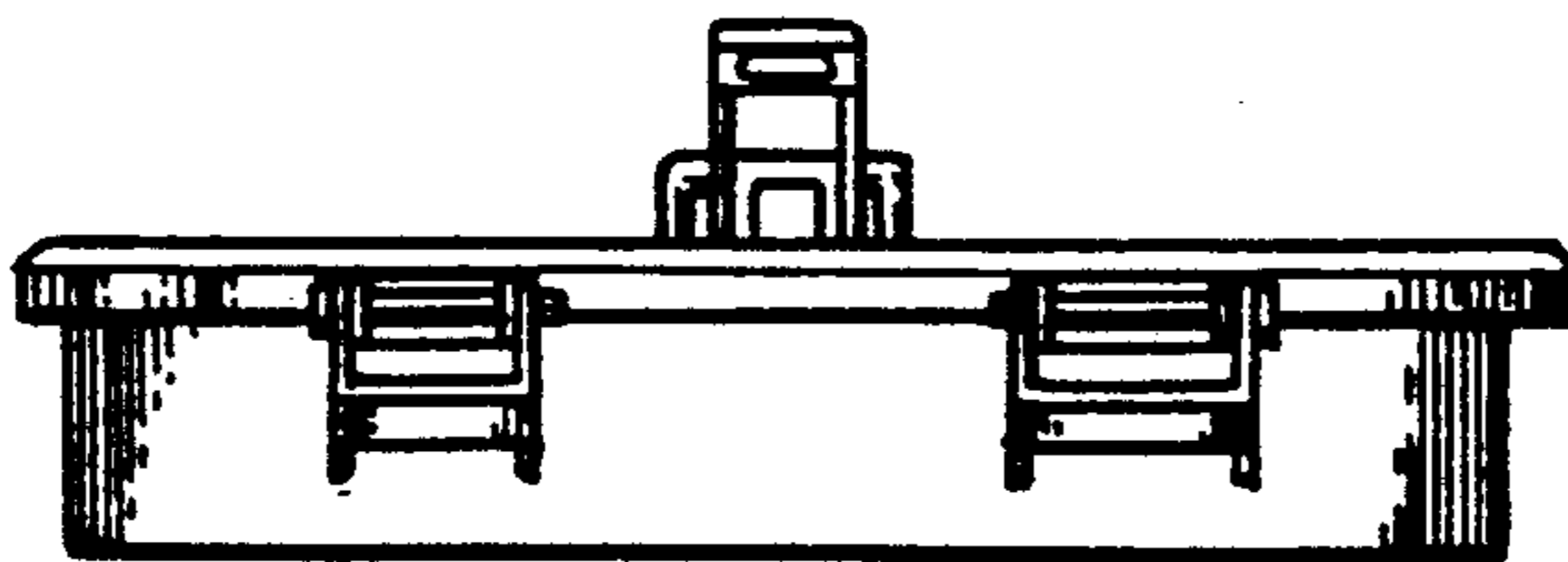


FIG. 10

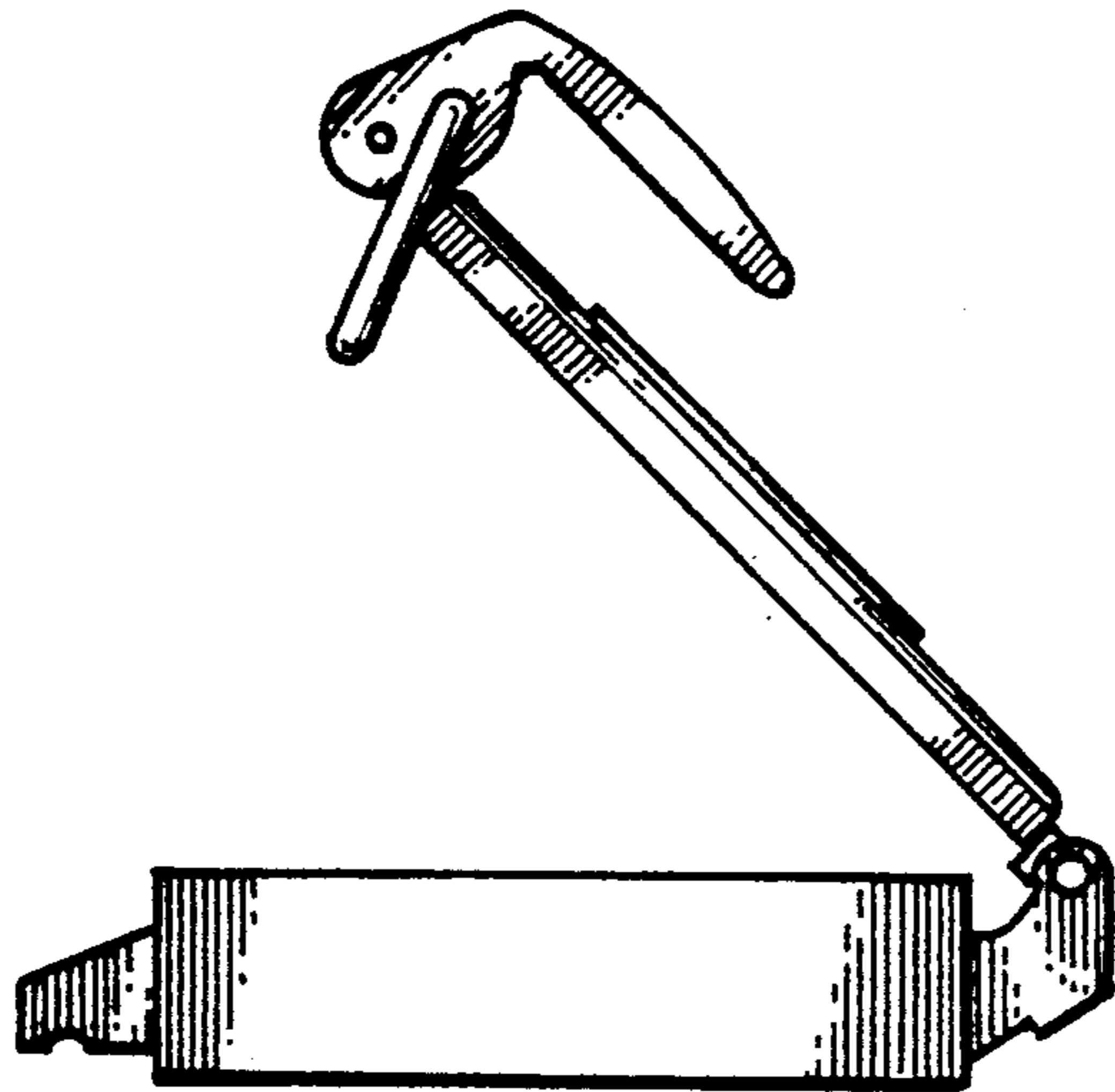


FIG. 11

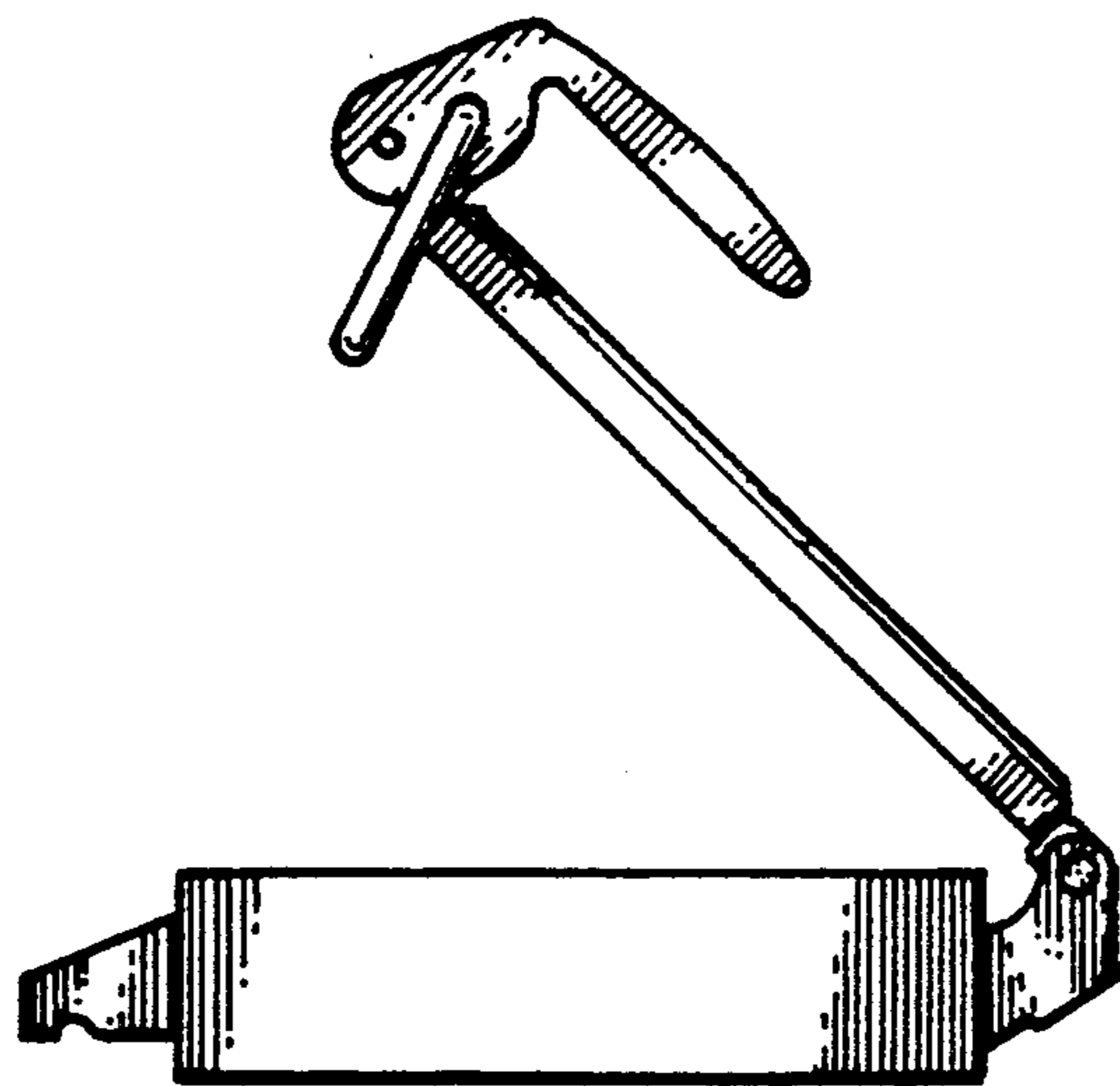


FIG. 12