

[54] AUTOTRANSFUSION UNIT WITH VACUUM REGULATION CARDIOTOMY RESERVOIR

4,798,578 1/1989 Ranford 604/4

[75] Inventors: Leo J. Lichte, Riverside; Jack W. Brown, Santa Ana, both of Calif.

[73] Assignee: Gish Biomedical Inc., Santa Ana, Calif.

[**] Term: 14 Years

[21] Appl. No.: 379,289

[22] Filed: Jul. 13, 1989

[52] U.S. Cl. D24/117; D24/162; D24/169

[58] Field of Search D24/117, 162, 169; 210/188, 645, 446, 294, 295, 297, 305, 436; 422/44-48; 604/317; 128/400

[56] References Cited

U.S. PATENT DOCUMENTS

- D. 282,282 1/1986 Chernack D24/117
- D. 291,920 9/1987 Monzen et al. D24/117
- 4,705,497 11/1987 Shitaokoshi et al. 604/4
- 4,737,139 4/1988 Zupkas et al. 604/4

OTHER PUBLICATIONS

Gish Biomedical, Inc., Publication ©1985, BRS-2800F Cardiotomy Reservoir with unique corrugation design.

Primary Examiner—Stella Reid

Attorney, Agent, or Firm—George F. Bethel; Patience K. Bethel

[57] CLAIM

The ornamental design for an autotransfusion unit with vacuum regulation cardiotomy reservoir, as shown and described.

DESCRIPTION

FIG. 1 is a perspective view of an autotransfusion unit with vacuum regulation cardiotomy reservoir, showing our new design;

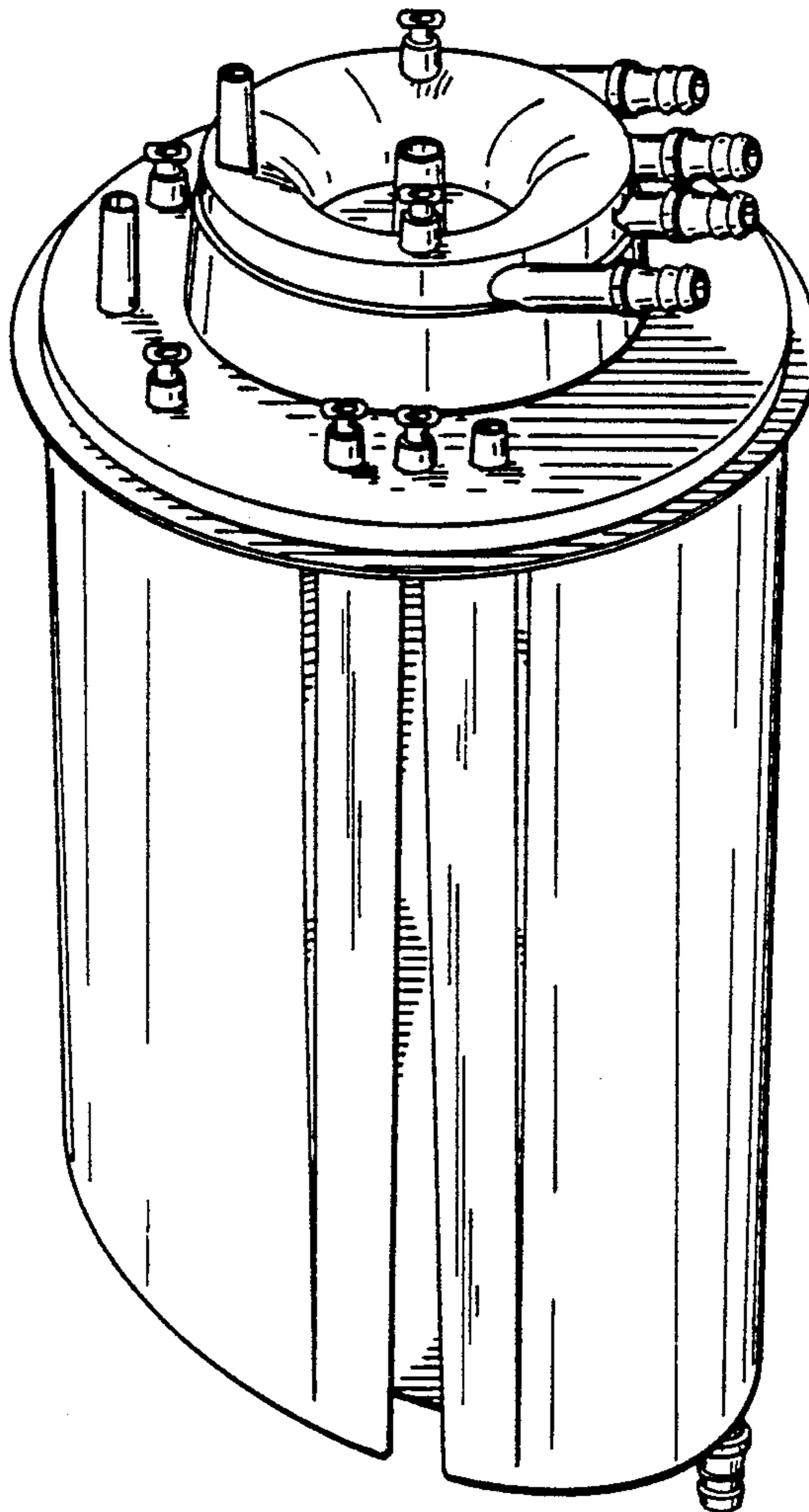
FIG. 2 is a rear elevational view thereof;

FIG. 3 is a side elevational view thereof;

FIG. 4 is a top plan view thereof;

FIG. 5 is a side elevational view thereof, opposite that shown in FIG. 3; and

FIG. 6 is a bottom plan view thereof.



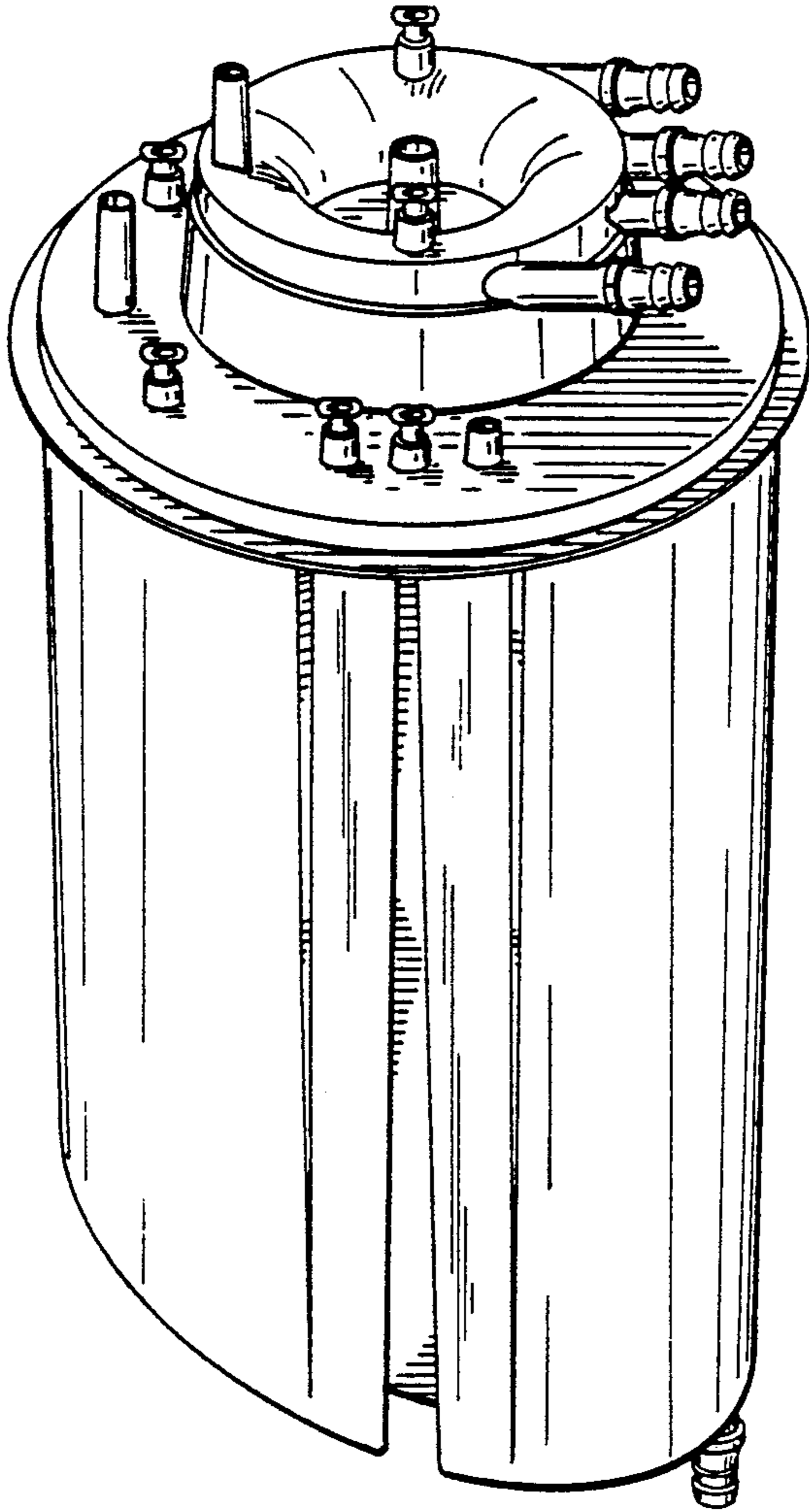


FIG. 1

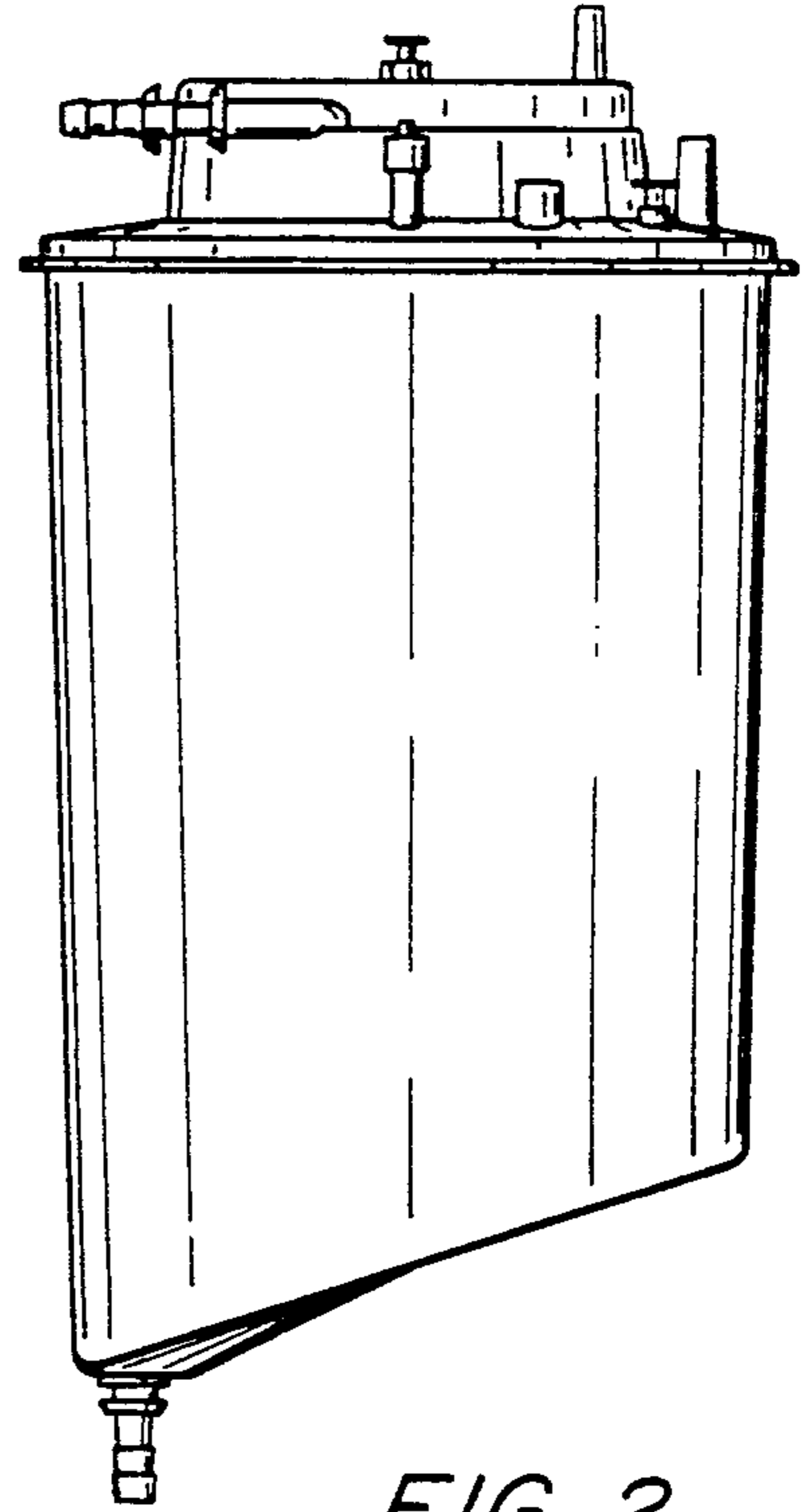


FIG. 2

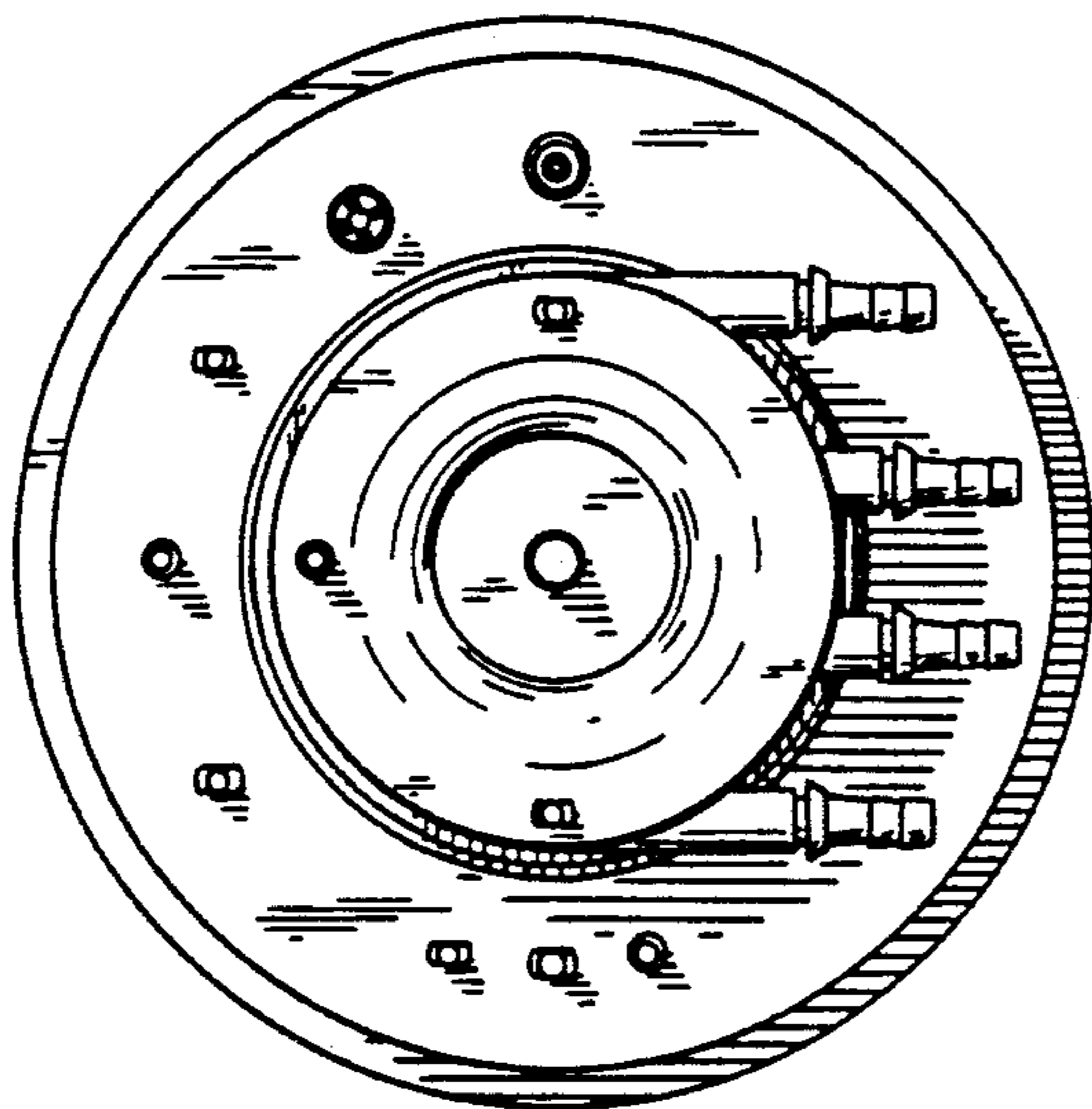


FIG. 4

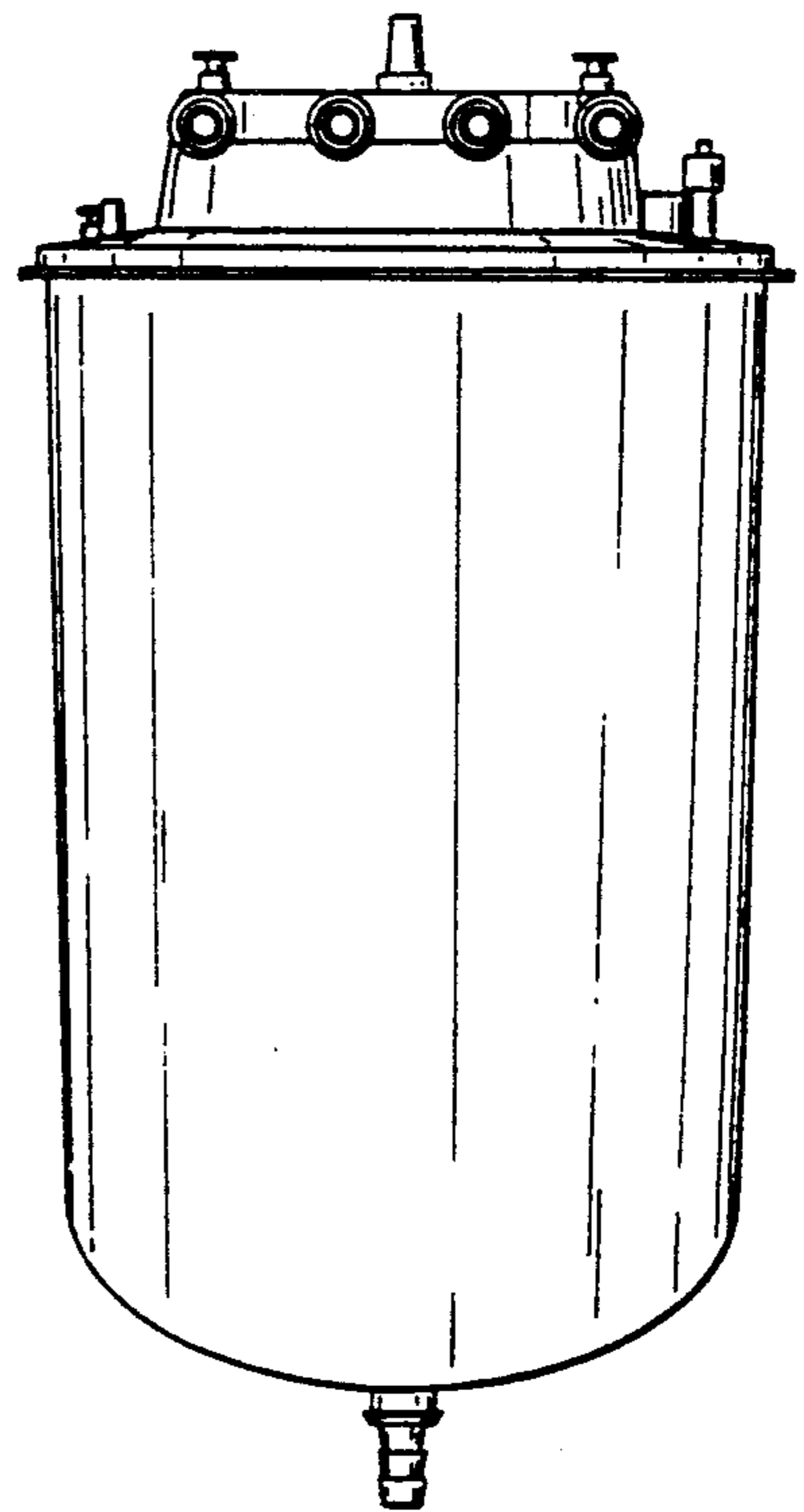


FIG. 3

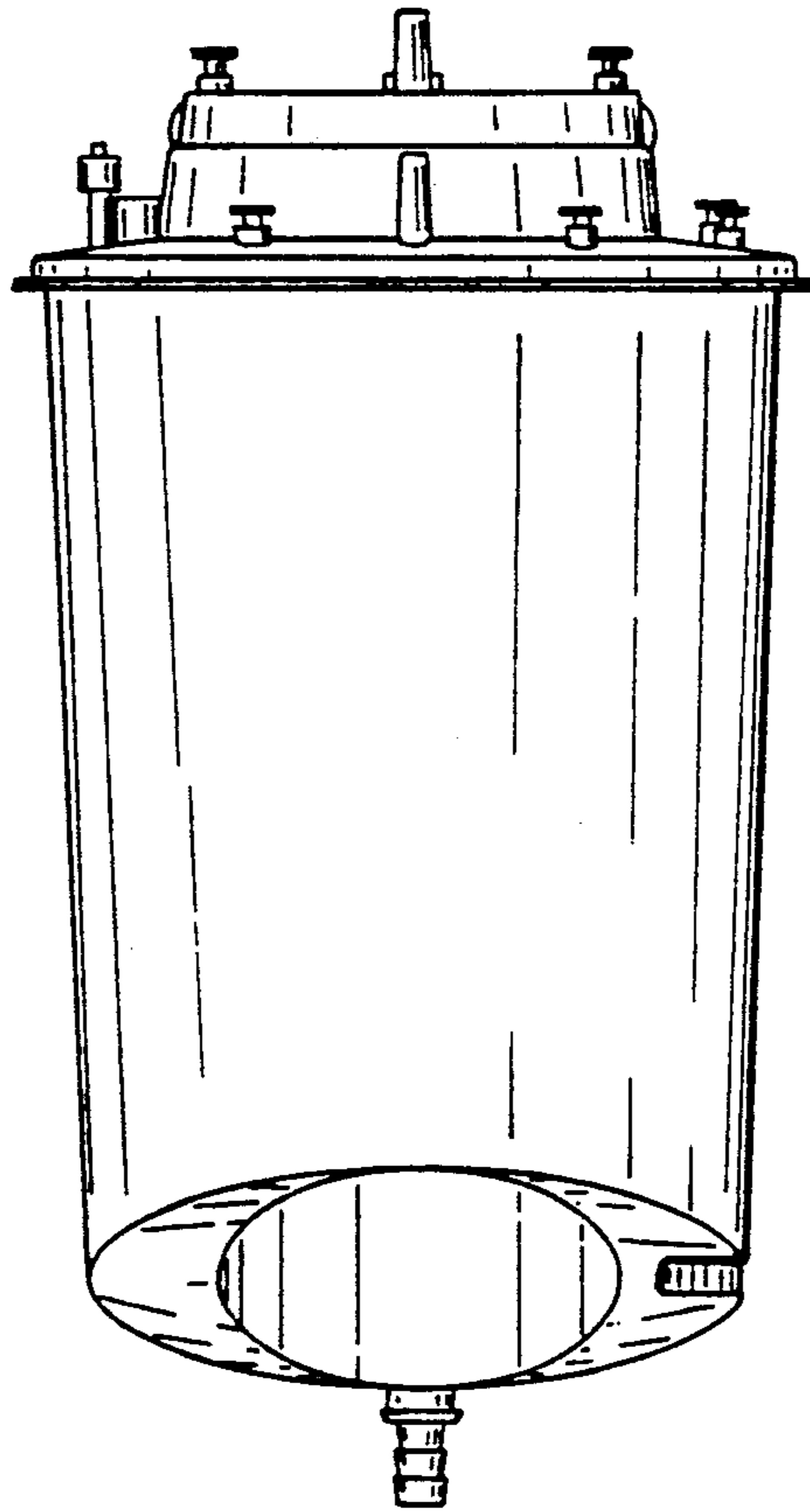


FIG. 5

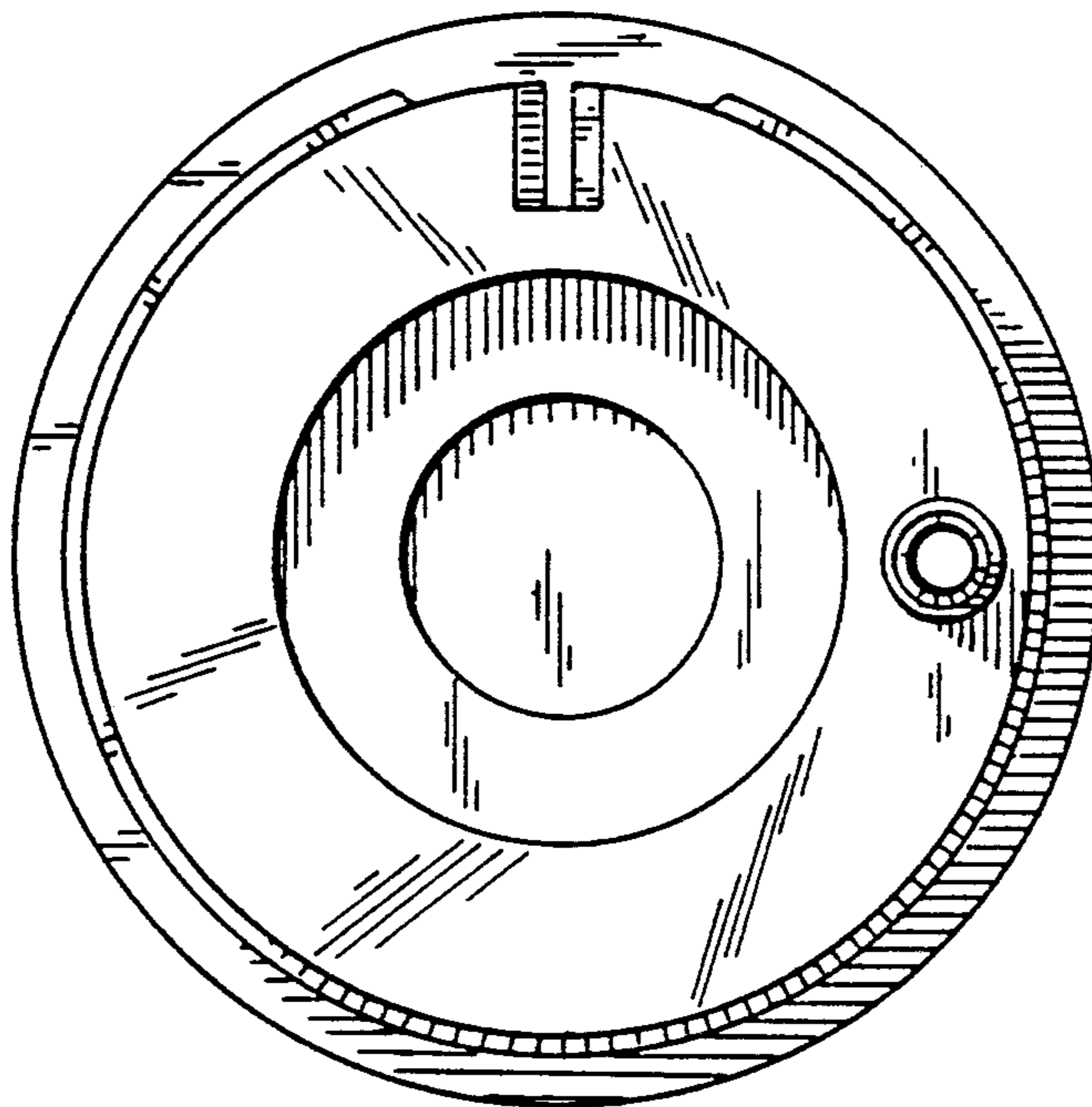


FIG. 6