

[54] **HUMIDIFIER CASING**

[75] **Inventors:** Timothy L. Guetersloth, Madison; Roger M. Pasch, Windsor, both of Wis.

[73] **Assignee:** Research Products Corporation, Madison, Wis.

[**] **Term:** 14 Years

[21] **Appl. No.:** 325,503

[22] **Filed:** Mar. 20, 1989

[52] **U.S. Cl.** D23/357

[58] **Field of Search** D23/356, 359, 357, 358, D23/361, 362, 363; 126/113; 261/DIG. 15

[56] **References Cited**

U.S. PATENT DOCUMENTS

D. 196,204	9/1963	Allen	D23/357
3,621,830	11/1971	Geisler et al.	126/113
3,823,926	7/1974	Bracich	261/DIG. 15
4,056,582	11/1977	Chow	261/DIG. 15
4,361,523	11/1982	Shepherd	261/DIG. 15

FOREIGN PATENT DOCUMENTS

1092506 12/1980 Canada 261/DIG. 15

OTHER PUBLICATIONS

Granger's Spring '86 Cat., p. 1072, Drain Type Furnace Humidifier, top right side of page.

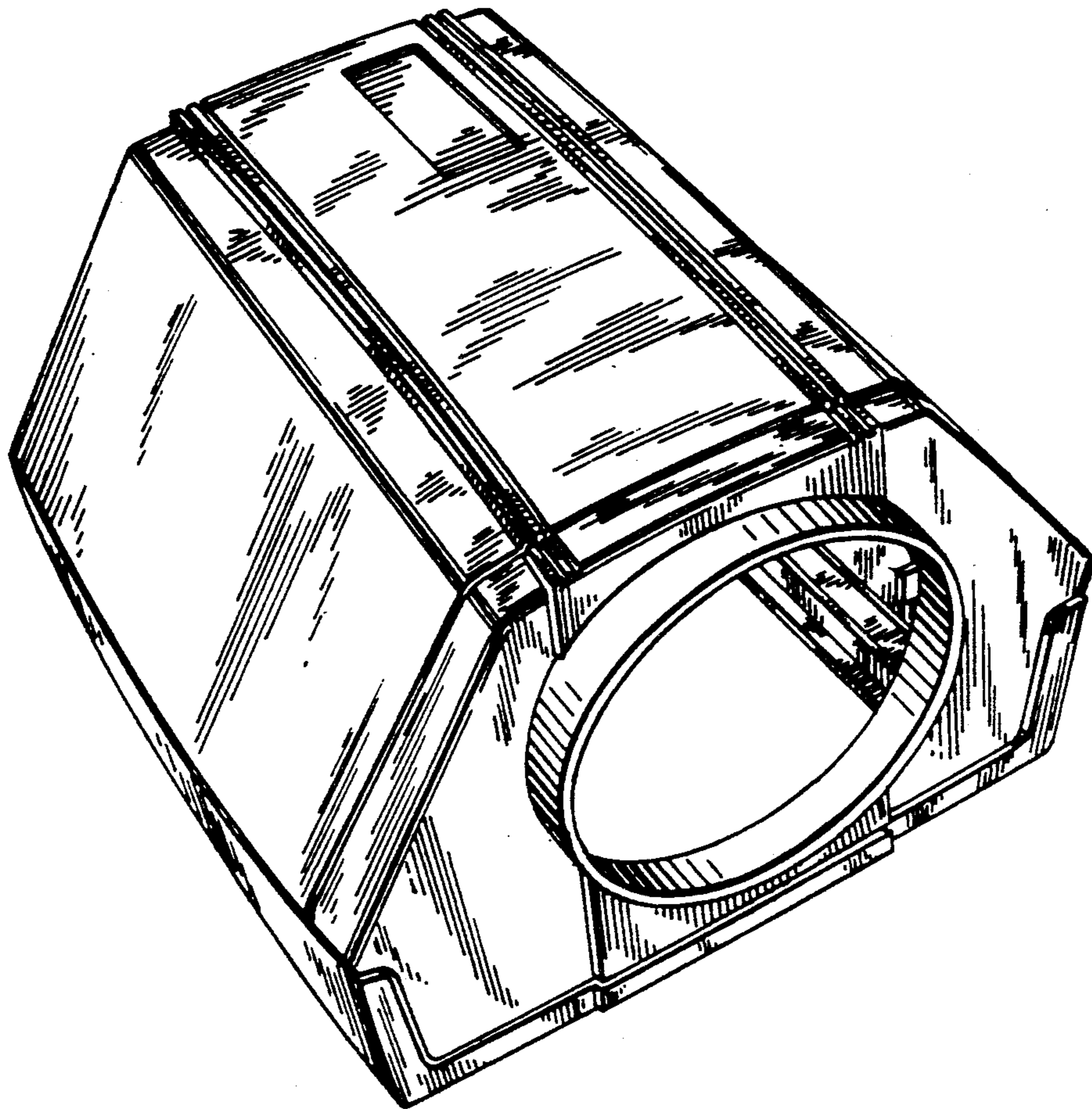
Primary Examiner—James M. Gandy
Assistant Examiner—Lisa Lichtenstein
Attorney, Agent, or Firm—Andrus, Scales, Starke & Sawall

[57] **CLAIM**

The ornamental design for a humidifier casing, as shown.

DESCRIPTION

FIG. 1 is a front and left side perspective view of a humidifier casing showing our new design; FIG. 2 is a left side elevation view thereof; FIG. 3 is a right side elevation view thereof; FIG. 4 is a top plan view thereof; FIG. 5 is a front elevation view thereof; and FIG. 6 is a bottom plan view thereof.



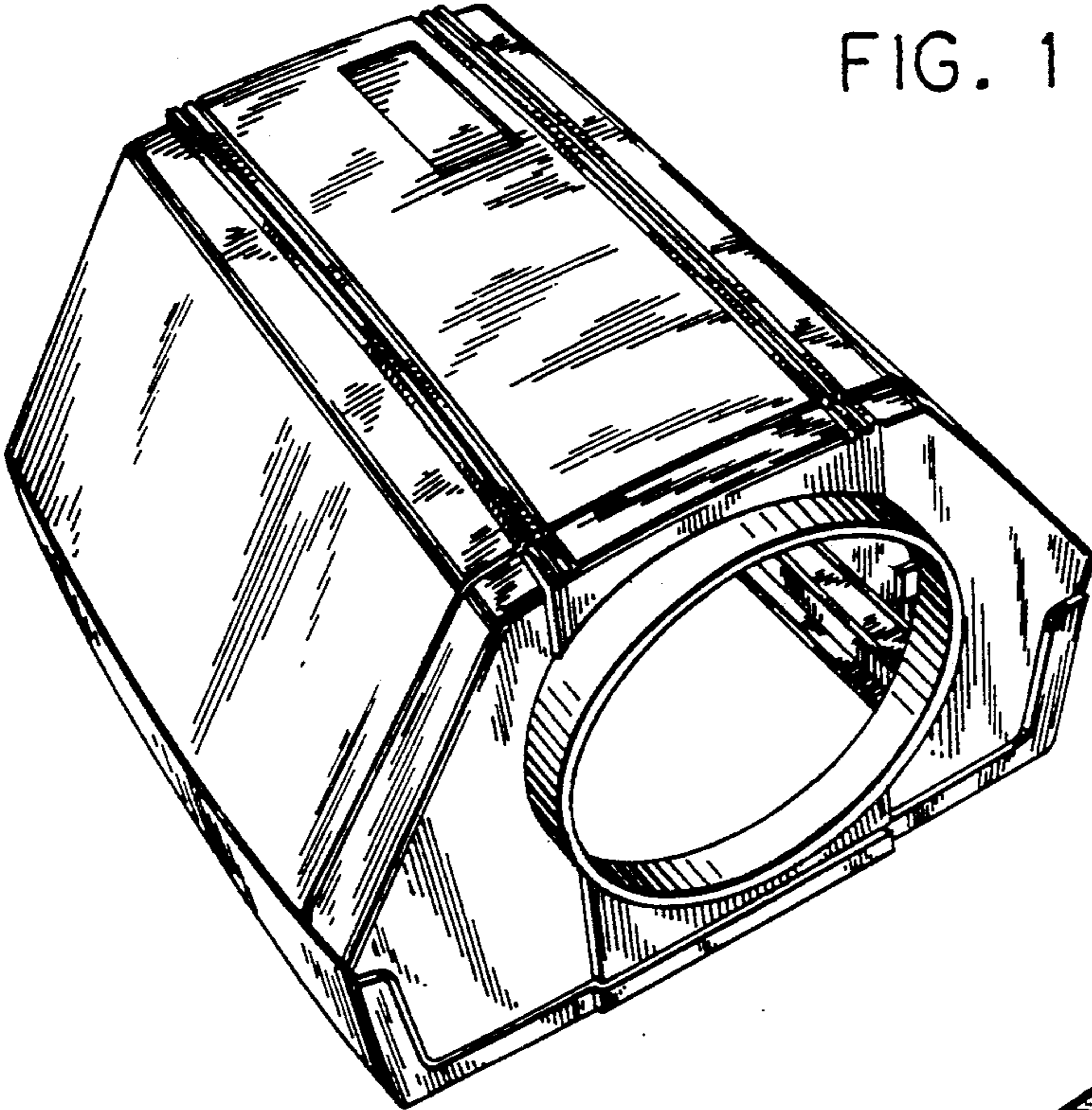


FIG. 1

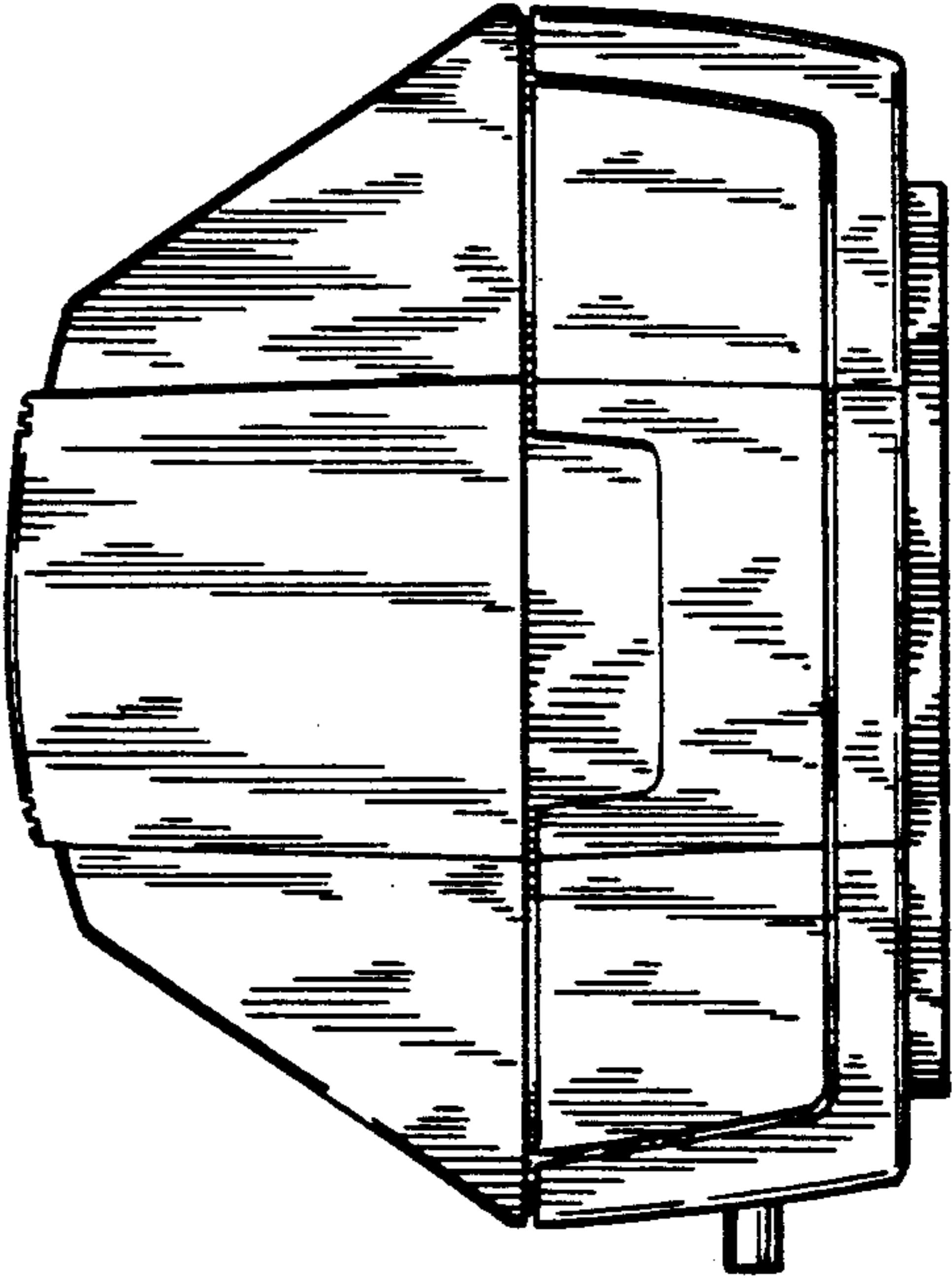


FIG. 2

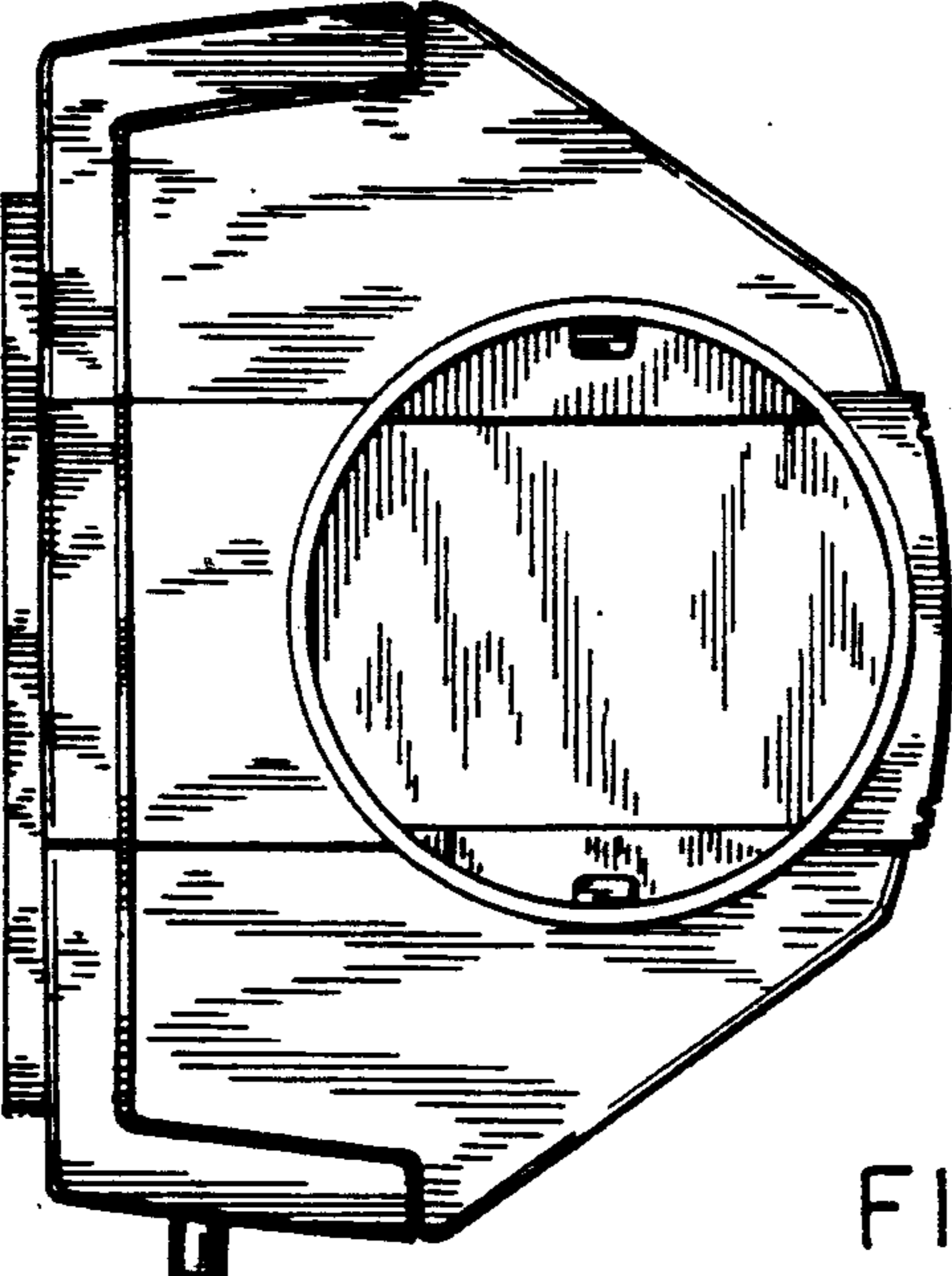


FIG. 3

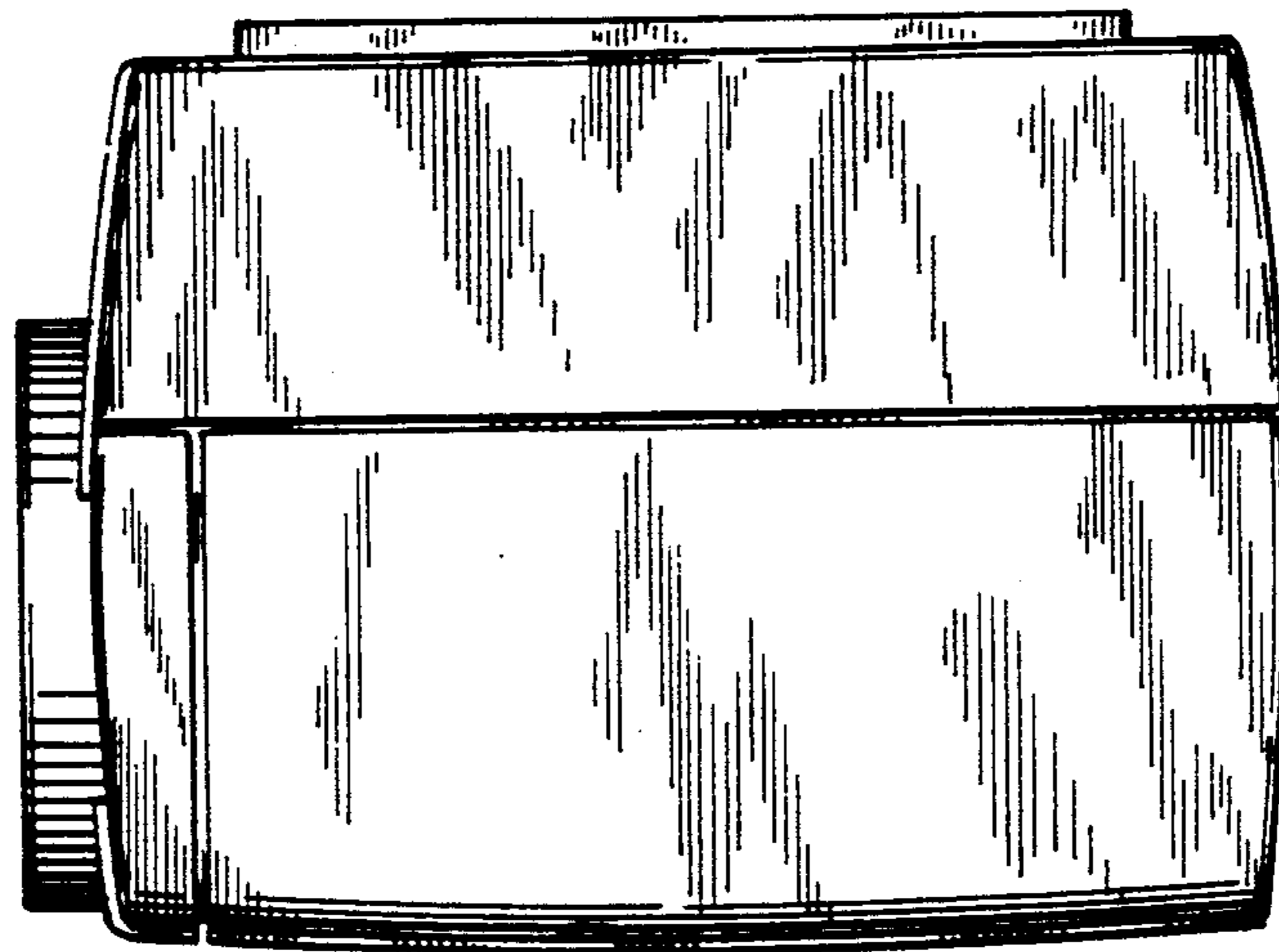


FIG. 4

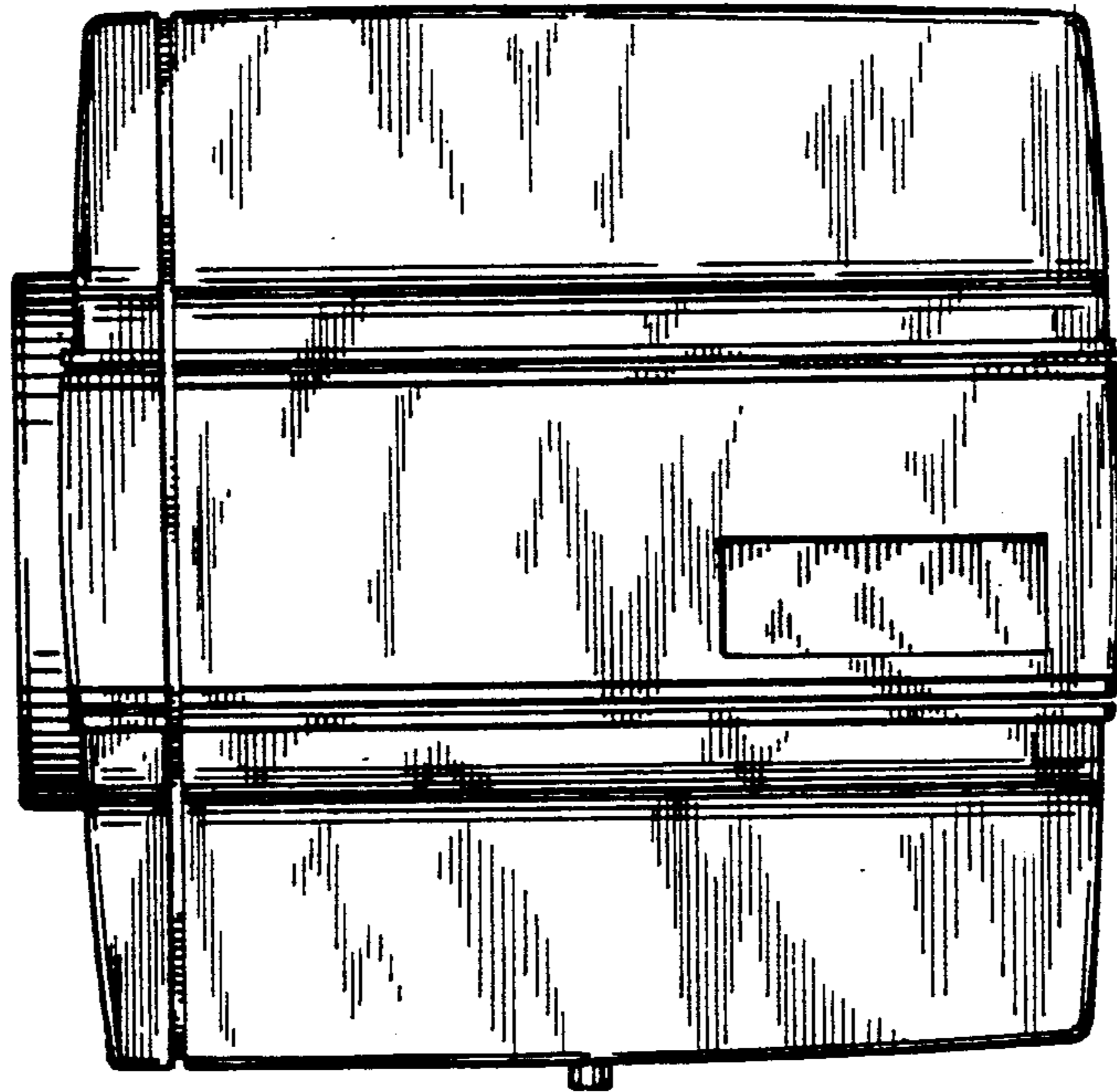


FIG. 5

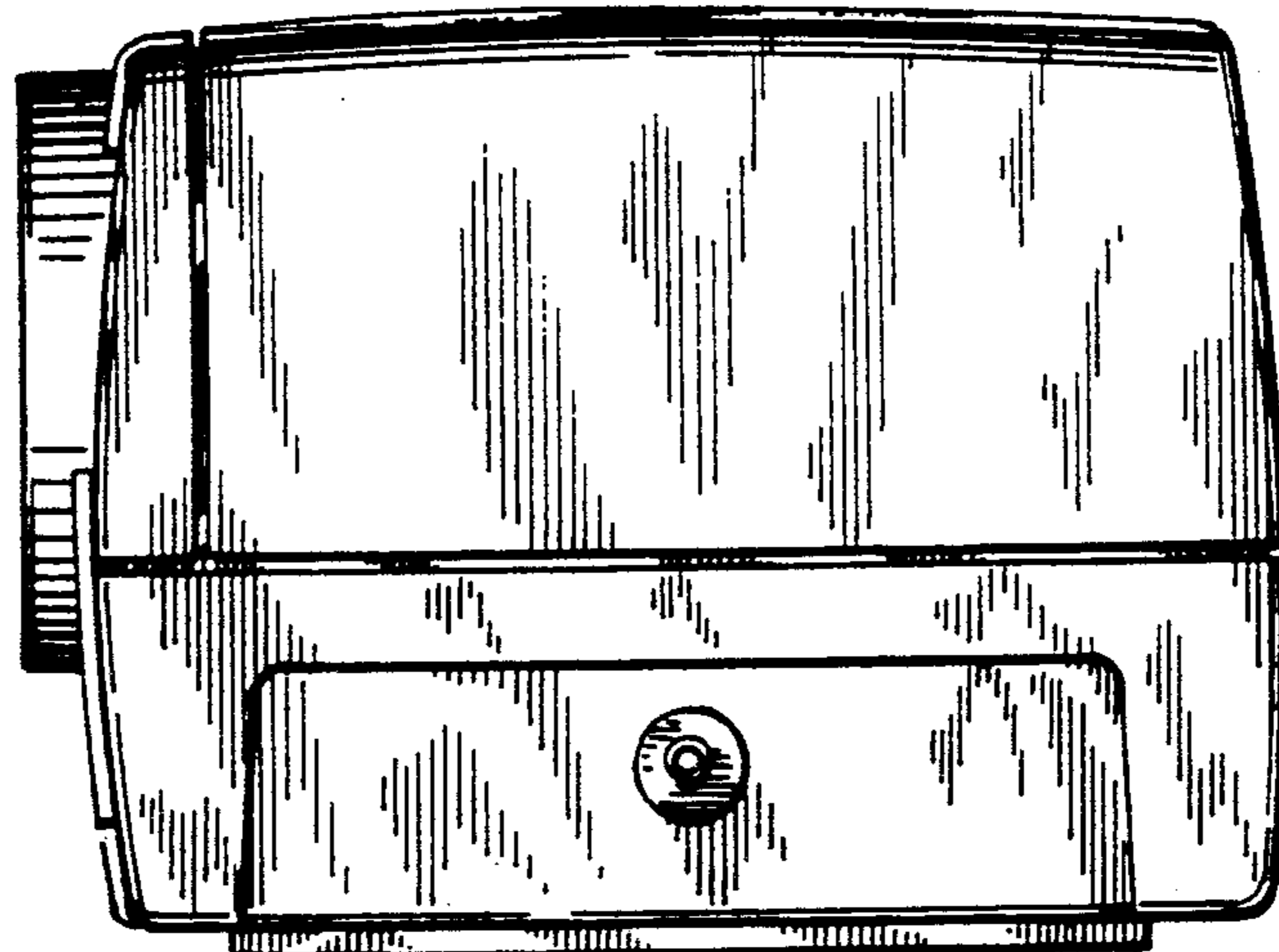


FIG. 6