

[54] PORTABLE HUMIDIFIER

[75] Inventor: Bernard Chiu, Ashland, Mass.
[73] Assignee: Duracraft Corporation, Sudbury, Mass.
[**] Term: 14 Years
[21] Appl. No.: 520,922
[22] Filed: May 9, 1990
[52] U.S. Cl. D23/356
[58] Field of Search D23/356, 357, 358, 359,
D23/360, 361, 362, 363; 392/394, 403, 405, 406;
261/DIG. 48, 81

[56] References Cited

U.S. PATENT DOCUMENTS

3,110,748 11/1963 Myklebust D23/356
3,309,501 3/1967 Jansson 392/394
4,810,854 3/1989 Jursich et al. 392/405
4,906,417 3/1990 Gentry 392/405

FOREIGN PATENT DOCUMENTS

129541 7/1985 Japan 261/DIG. 48

OTHER PUBLICATIONS

The Sharper Image Catalogue (Feb. 1986), p. 57,
Bionaire Ultrasonic Humidifier, p. 57, top right side of
page.
Hammacher Schlemmer Co. Spring Supplement 1986,

p. 31, Best Ultrasonic Humidifier, bottom right side of
page.
Housewares, Jun. 7-13, 1987, p. 11, Holmes Air Humid-
ifier, bottom left side of page, Sunbeam Dura-Vap Va-
porizer, middle right side of page; Jul. 7-13, 1987, p. 3,
Holmes Air Humidifiers (D) and (E), bottom left side of
page; Aug. 7-13, 1987, p. 18, Ultrasonic Humidifier (A),
bottom left side of page, p. 21, Ultrasonic Humidifiers
(B) and (C) on lower right side of page; and Mar. 21-27,
1988, p. 1, Holmes Air Ultrasonic Humidifier, top left
and bottom left sides of page, respectively.

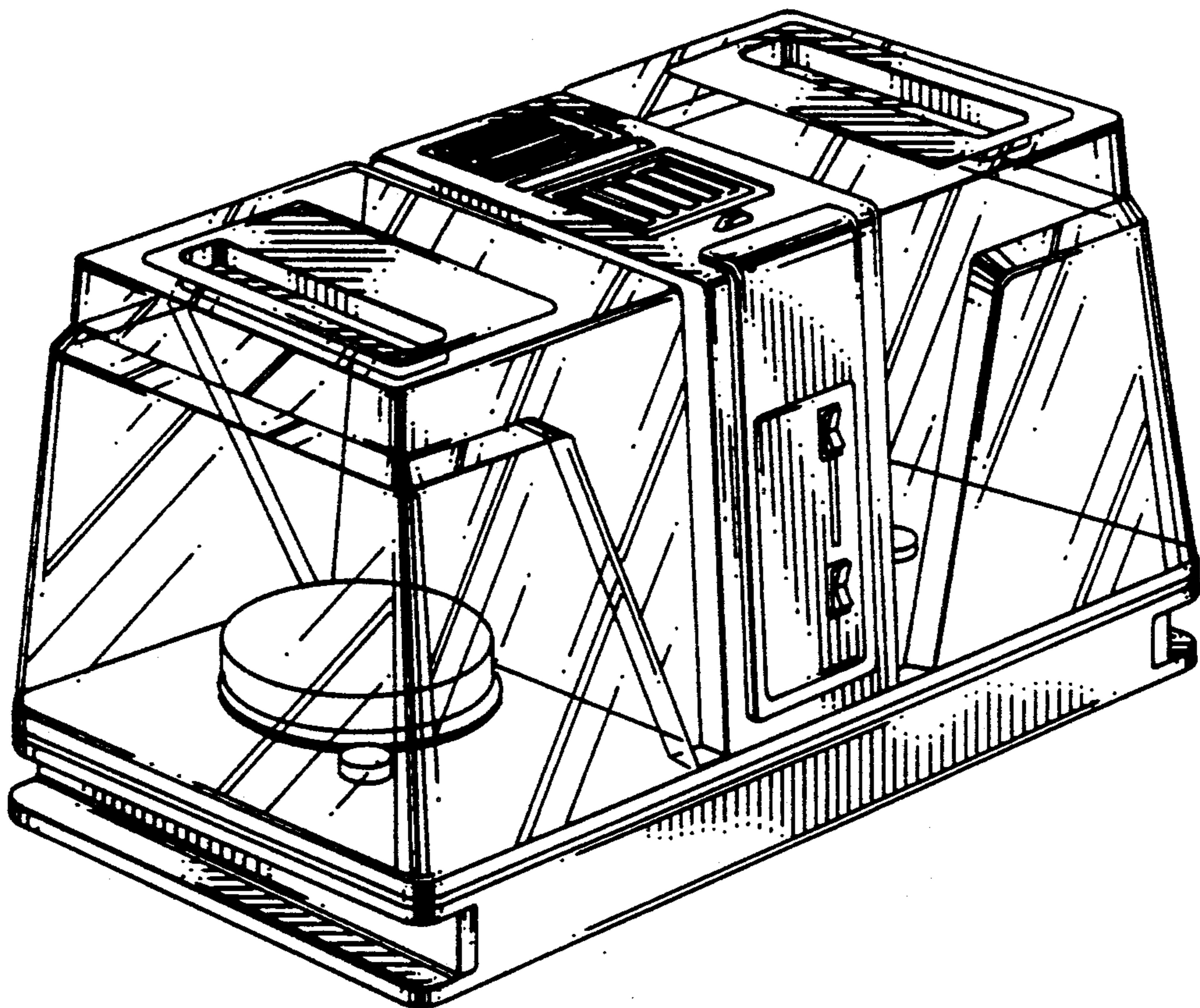
Primary Examiner—James M. Gandy
Assistant Examiner—Lisa Lichtenstein
Attorney, Agent, or Firm—John E. Toupal; Harold G.
Jarcho

[57] CLAIM

The ornamental design for a portable humidifier, as
shown and described.

DESCRIPTION

FIG. 1 is a perspective view of a portable humidifier
showing my new design;
FIG. 2 is a right side elevational view thereof, the oppo-
site side being a mirror image of that shown;
FIG. 3 is a front elevational view thereof;
FIG. 4 is a rear elevational view thereof;
FIG. 5 is a top plan view thereof; and
FIG. 6 is a bottom plan view thereof.



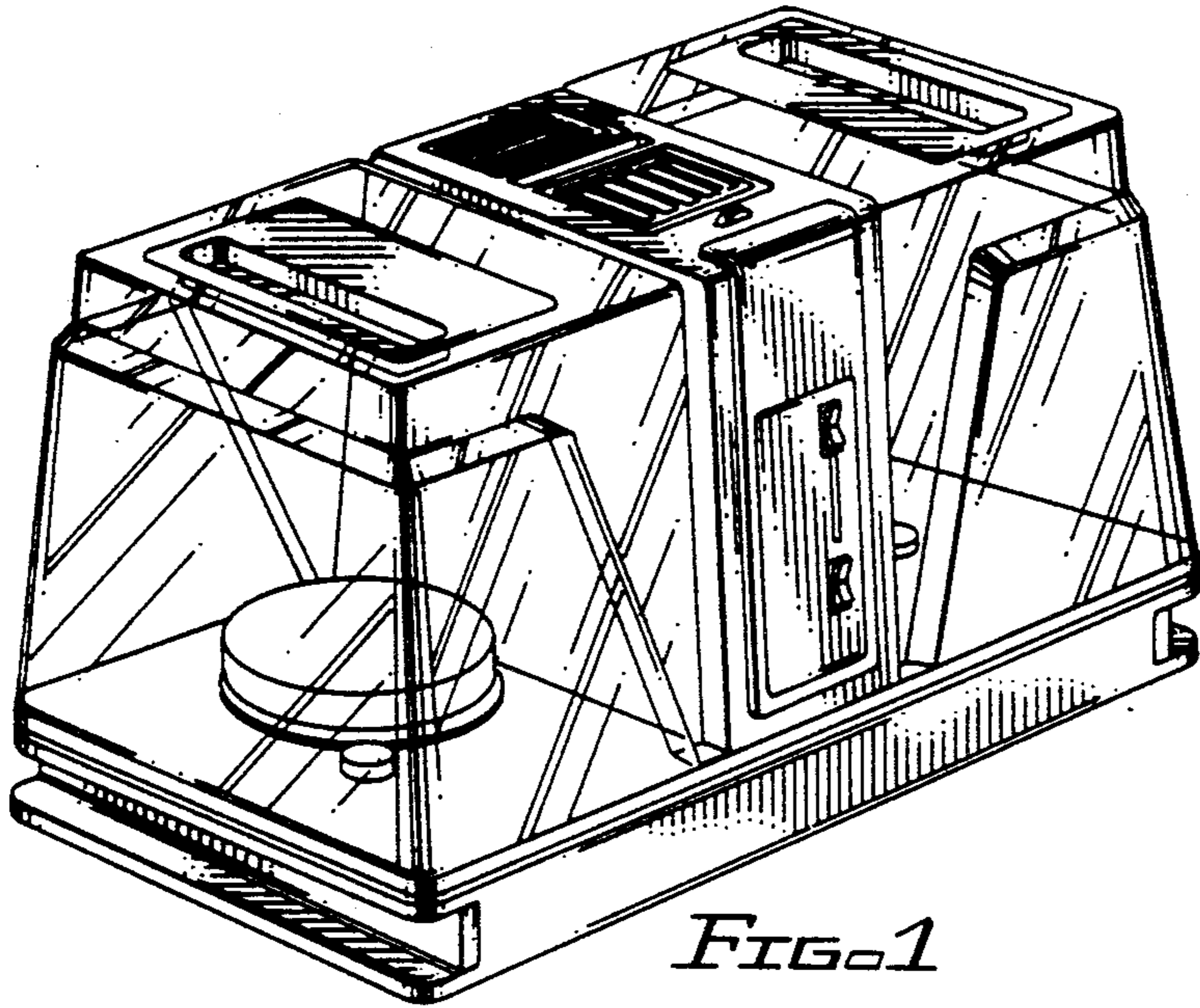


FIG. 1

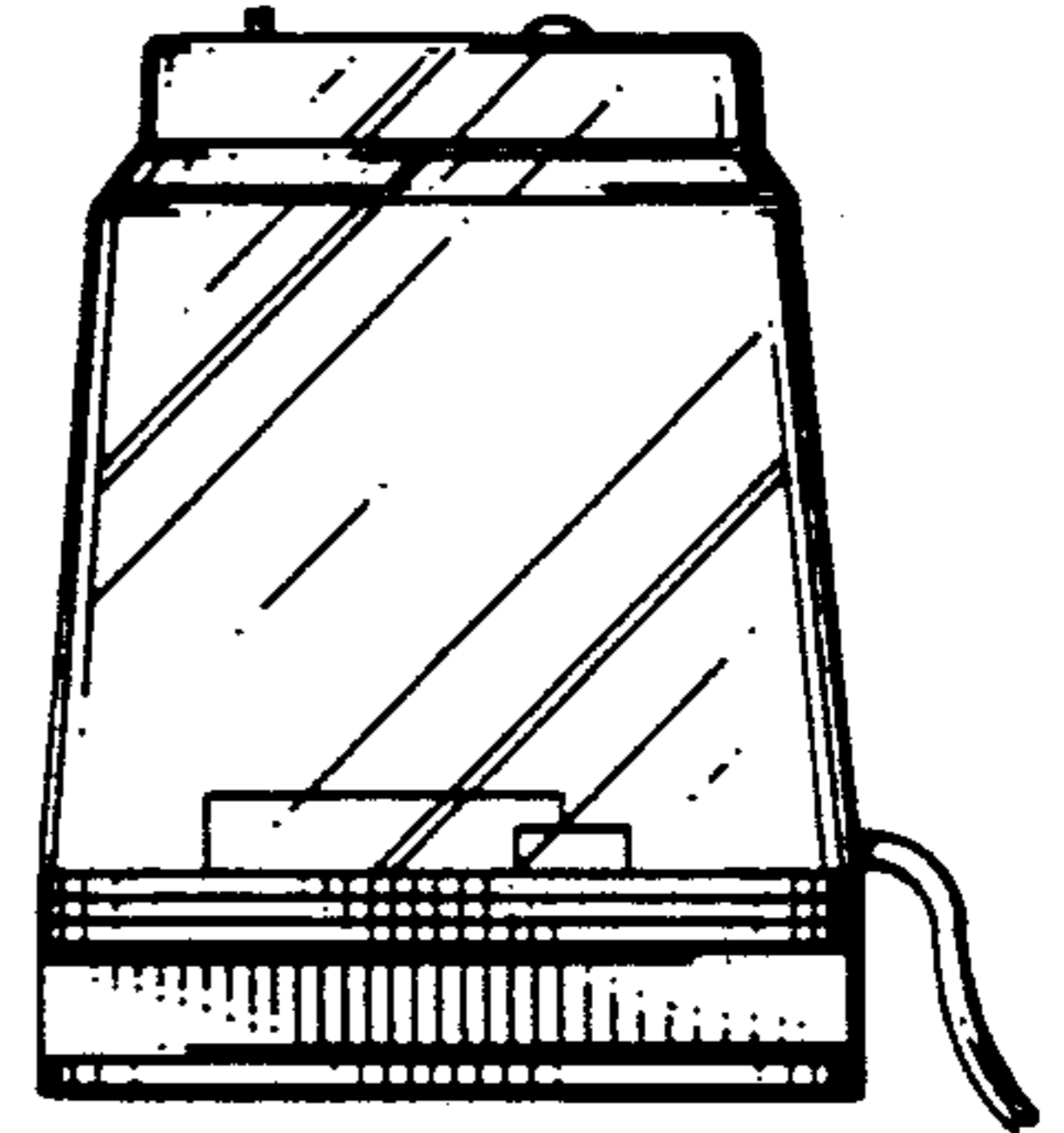


FIG. 2

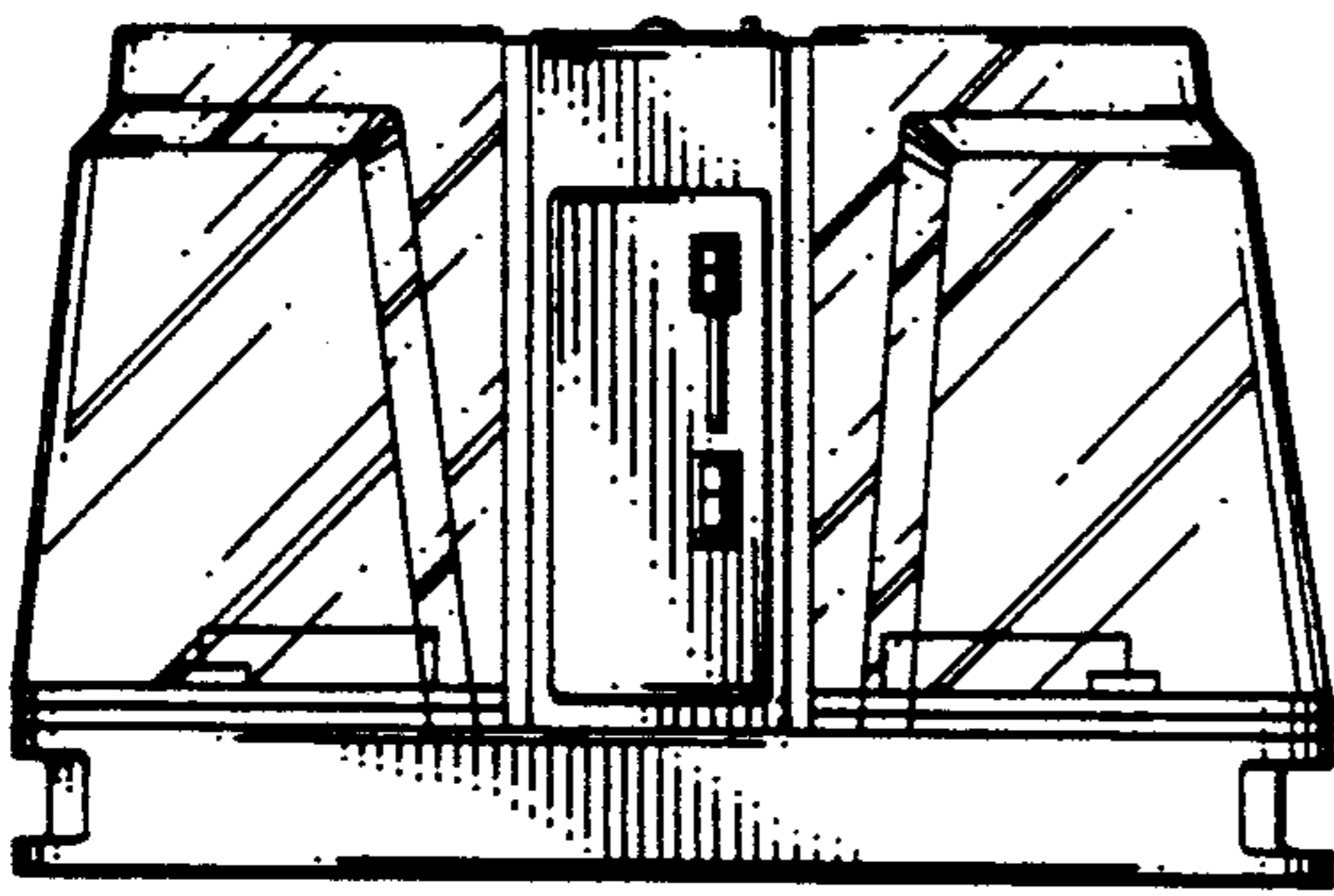


FIG. 3

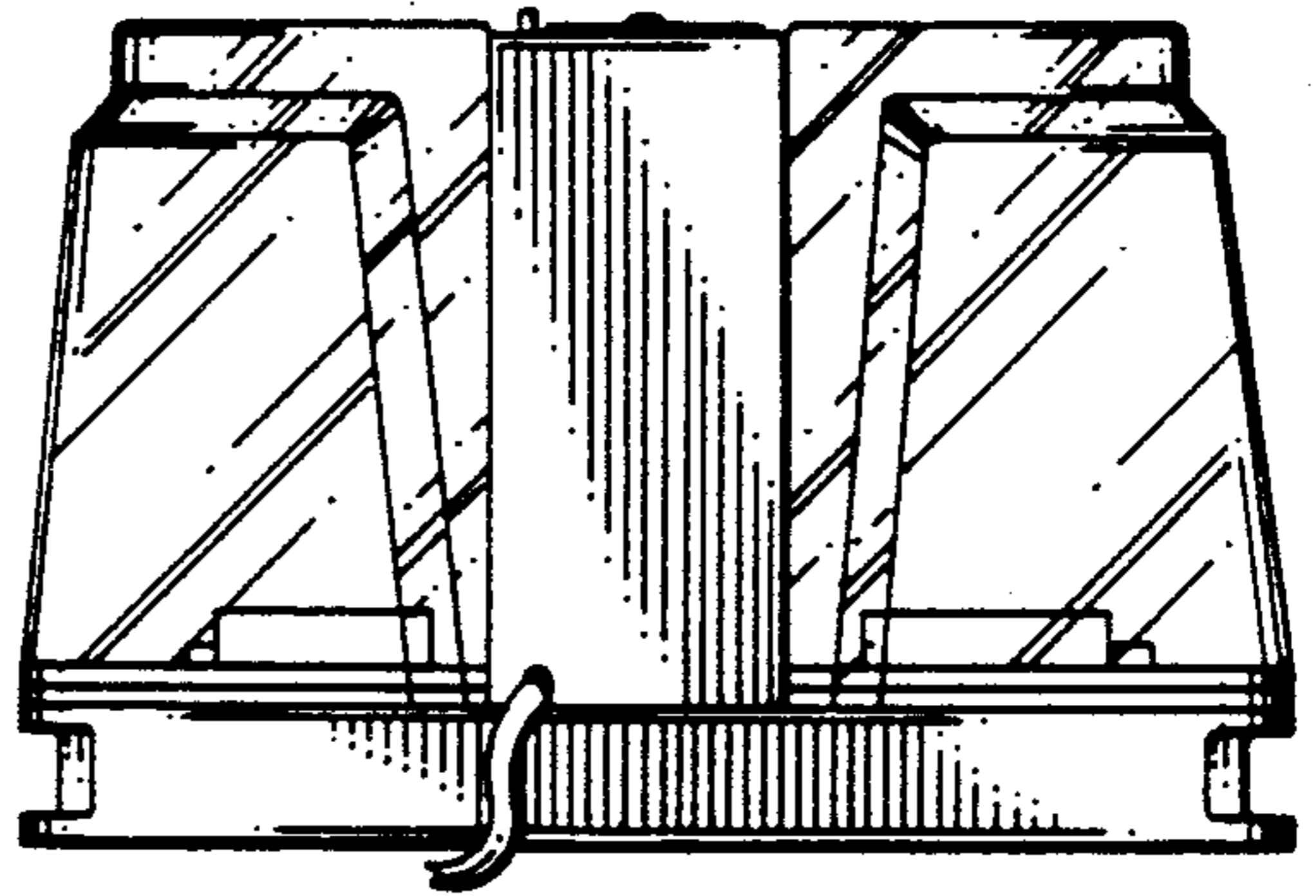


FIG. 4

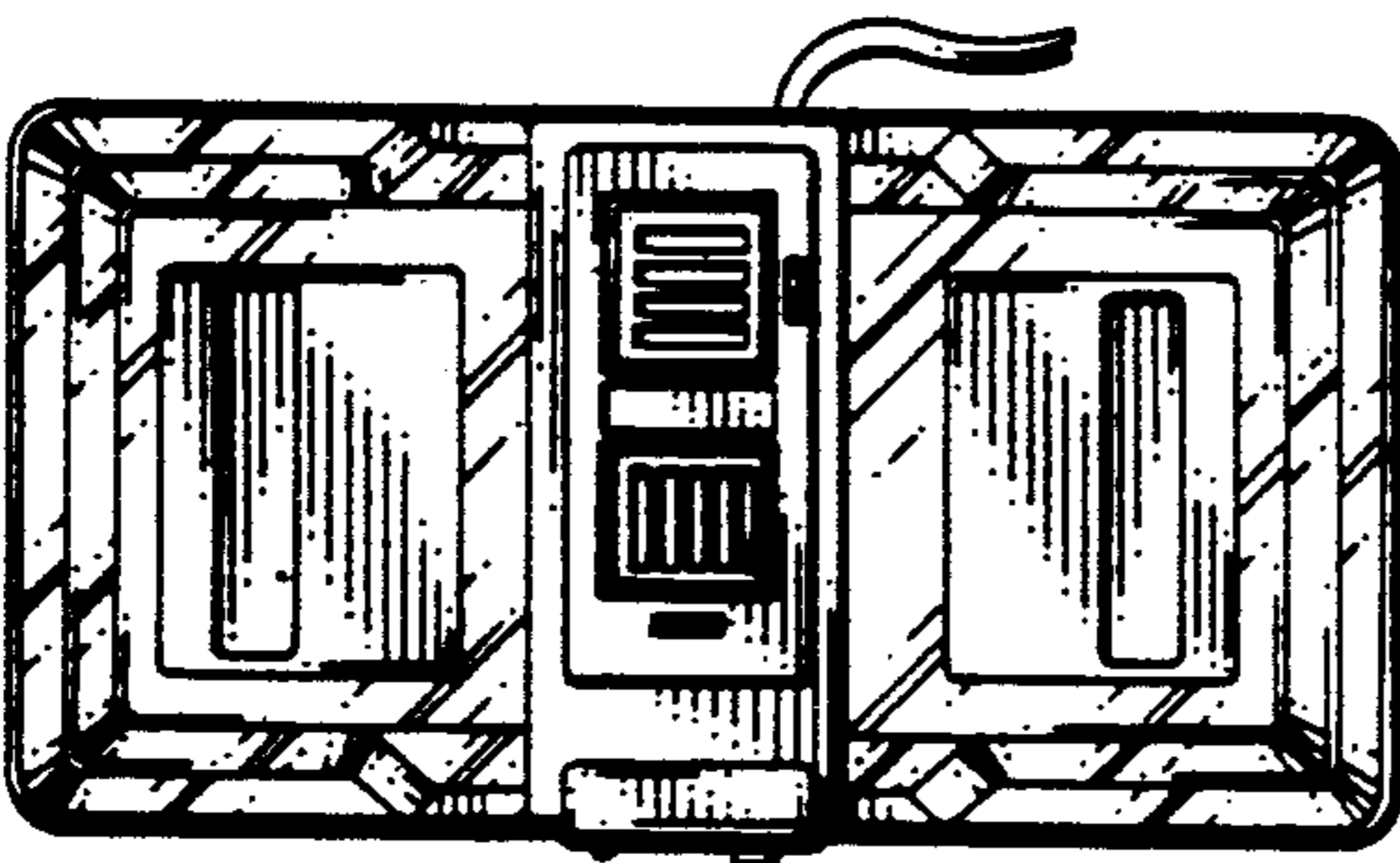


FIG. 5

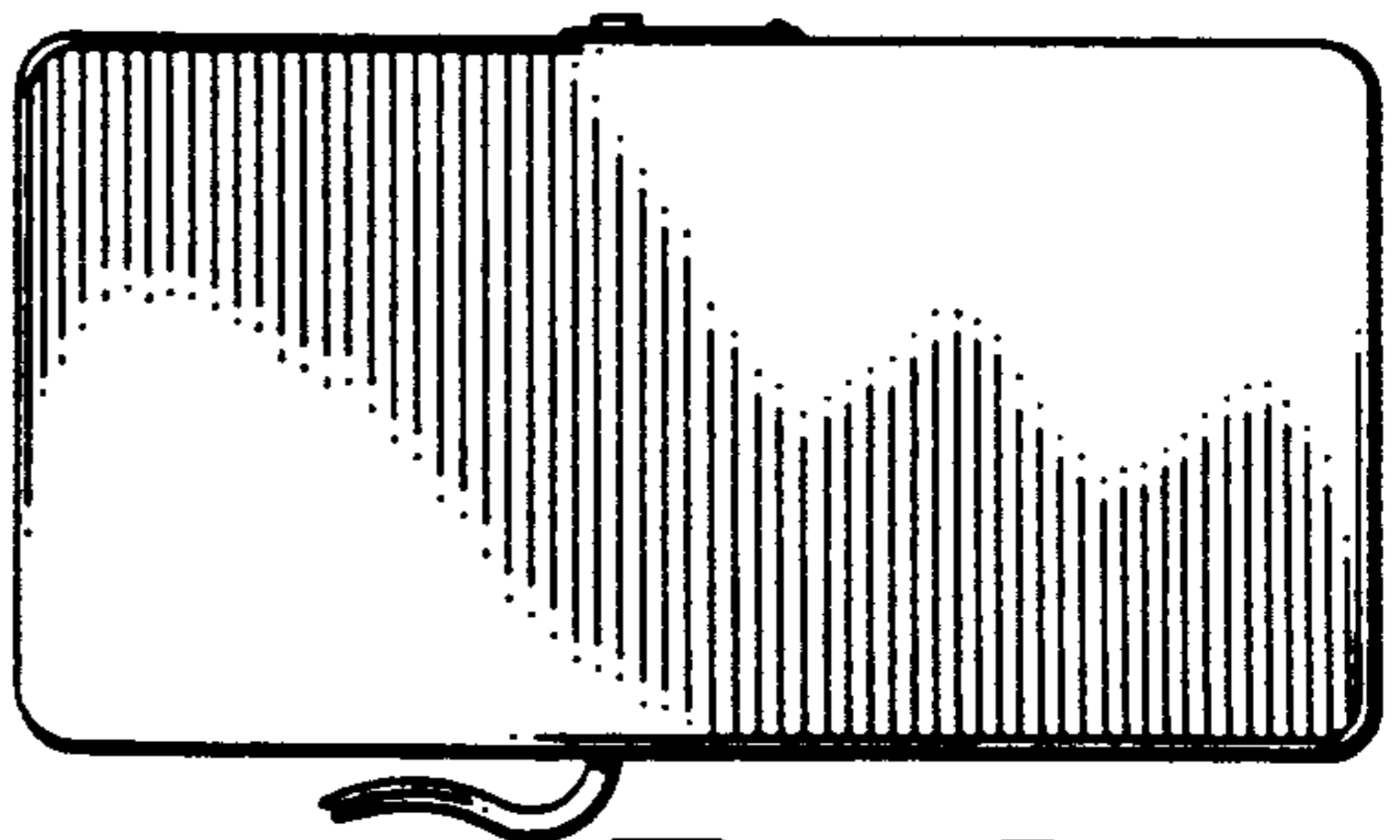


FIG. 6