

[54] COMBINED HAND SHOWER AND SUPPORT

[75] Inventors: Andreas Haug; Thomas Schönherr, both of Stuttgart, Fed. Rep. of Germany

[73] Assignee: Hans Grohe GmbH & Co. KG, Fed. Rep. of Germany

[**] Term: 14 Years

[21] Appl. No.: 284,454

[22] Filed: Dec. 14, 1988

[30] Foreign Application Priority Data

Jun. 29, 1988 [DE] Fed. Rep. of Germany ... MR13610B

[52] U.S. Cl. D23/223

[58] Field of Search D23/213, 223-230, D23/238-243, 255-257; 4/191, 192, 567, 568, 570, 615; 137/359, 801; 239/530, 588

[56] References Cited

U.S. PATENT DOCUMENTS

D. 212,535	10/1968	Barker	D23/223
D. 224,834	9/1972	Landell	D23/223
D. 228,908	10/1973	Juhlin	D23/223
D. 231,697	5/1974	Grube	D23/223
D. 237,708	11/1975	Grohe	D23/223
D. 245,093	7/1977	Saether	D23/223
D. 251,678	4/1979	Kwan	D23/223
D. 253,069	10/1979	Ogilvie	D23/223
D. 268,610	4/1983	Thompson	D23/223
D. 289,545	4/1987	Koch	D23/223
2,364,491	12/1974	Triadou	239/530
4,458,369	7/1984	Santi	4/615 X
4,719,654	1/1988	Blessing	4/615 X

FOREIGN PATENT DOCUMENTS

1952974 12/1970 Fed. Rep. of Germany .
3138414 4/1983 Fed. Rep. of Germany .
542661 11/1973 Switzerland .

OTHER PUBLICATIONS

Domestic Engineering, Jul. 1986, p. 27.
Grohe America, International Collection III brochure, p. 3, bottom right item, p. 12, bottom item.
Jacob Delafon Brochure, pp. 1-2.
Dornbracht 2000 Brochure, p. 1.
Interni Annual '85, p. 1.
Kludi Euro-Line Brochure, pp. 1-2.
Meloh Armaturen GmbH Brochure, pp. 1-2.
Wico Jetline Brochure, pp. 1-2.
Noblesse Brochure, p. 1.
Ascona Brochure, p. 1.

Primary Examiner—James R. Largen
Attorney, Agent, or Firm—Eckert Seamans Cherin & Mellott

[57] CLAIM

The ornamental design for a combined hand shower and support, as shown and described.

DESCRIPTION

FIG. 1 is a left side perspective view of a combined hand shower and support showing our new design; FIG. 2 is a right side elevational view thereof; FIG. 3 is a front elevational view thereof; FIG. 4 is a rear elevational view thereof; FIG. 5 is a left side elevational view thereof; FIG. 6 is a bottom plan view thereof; FIG. 7 is a top plan view thereof; and FIG. 8 is another right side elevational view thereof showing the hand shower separated from the support. The flexible water supply pipe is shown broken away in FIGS. 1 through 5 and 8 to indicate indeterminate length.

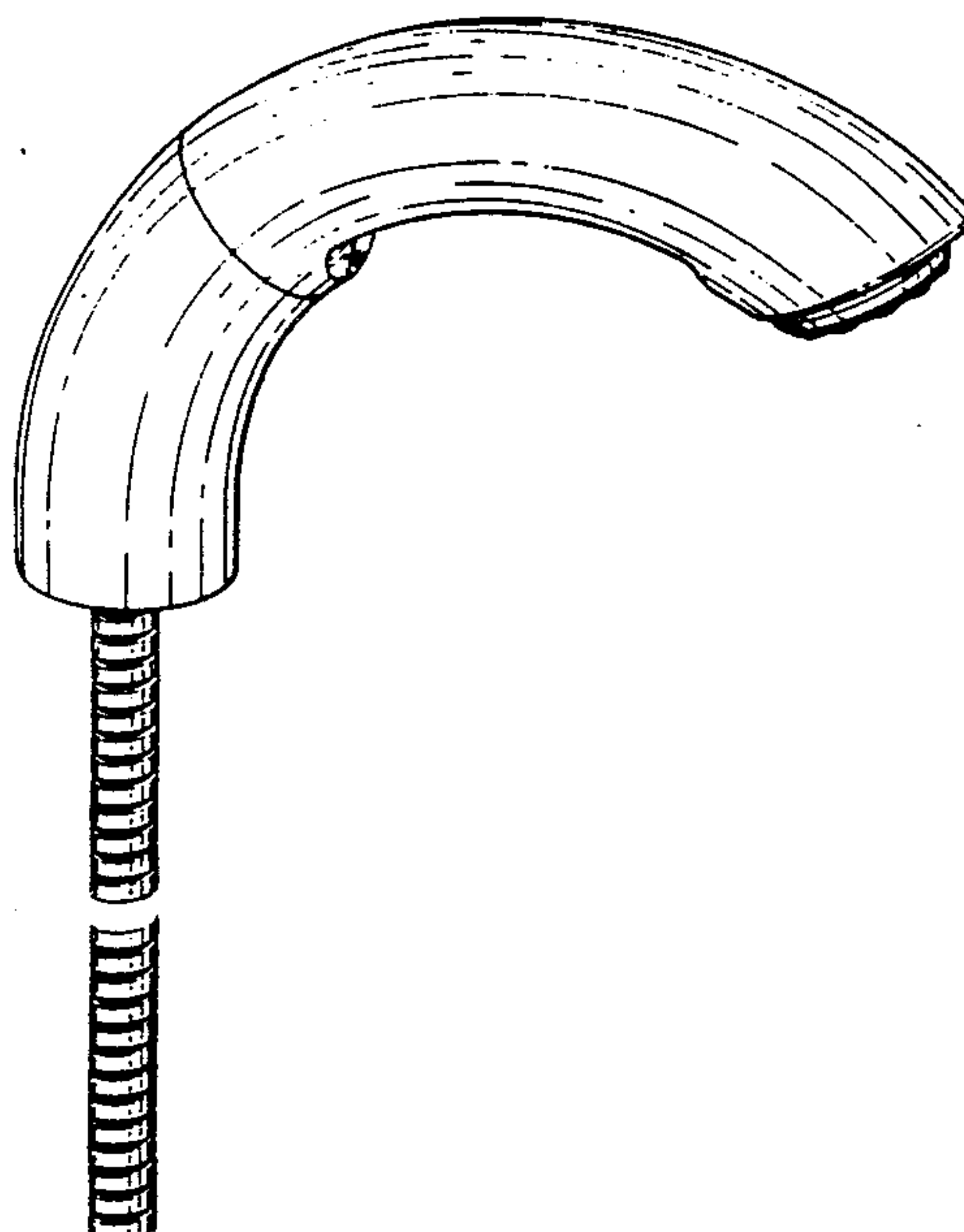
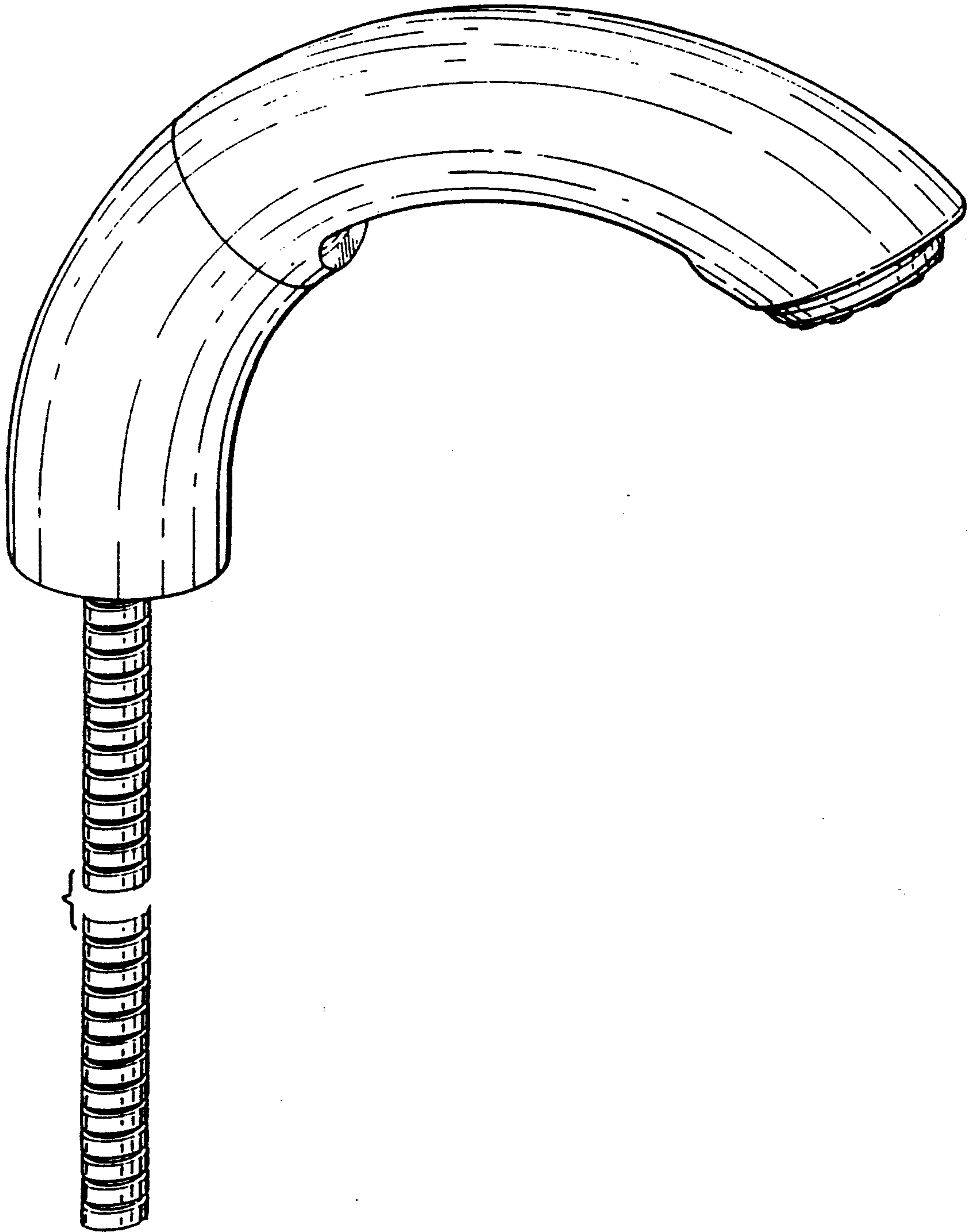


FIG. 1



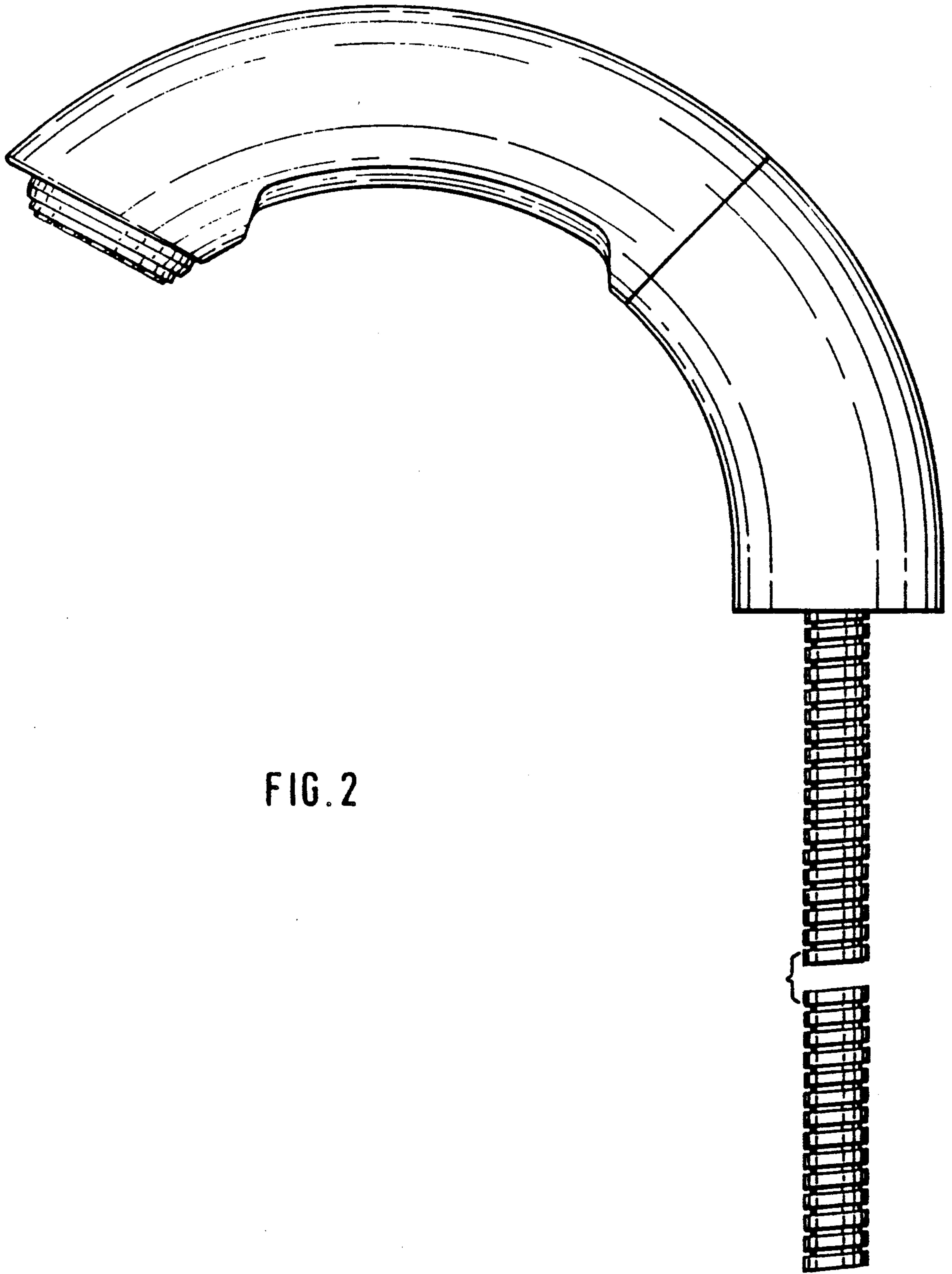


FIG. 2

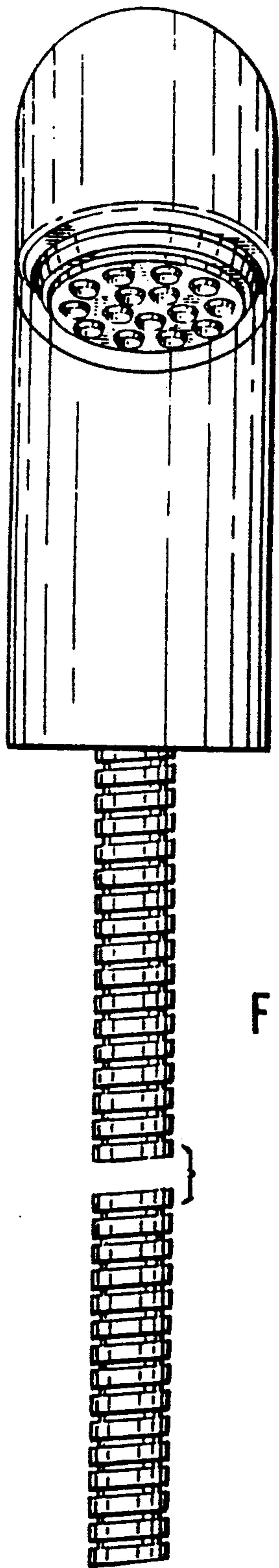


FIG. 3

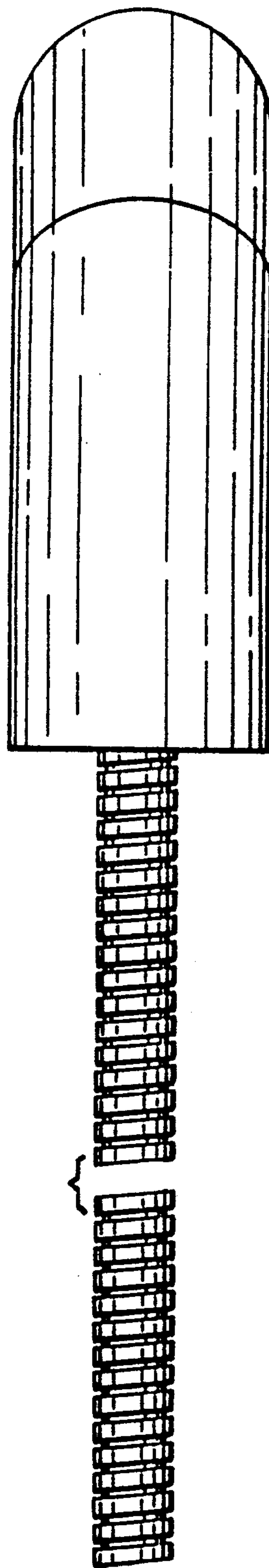


FIG. 4

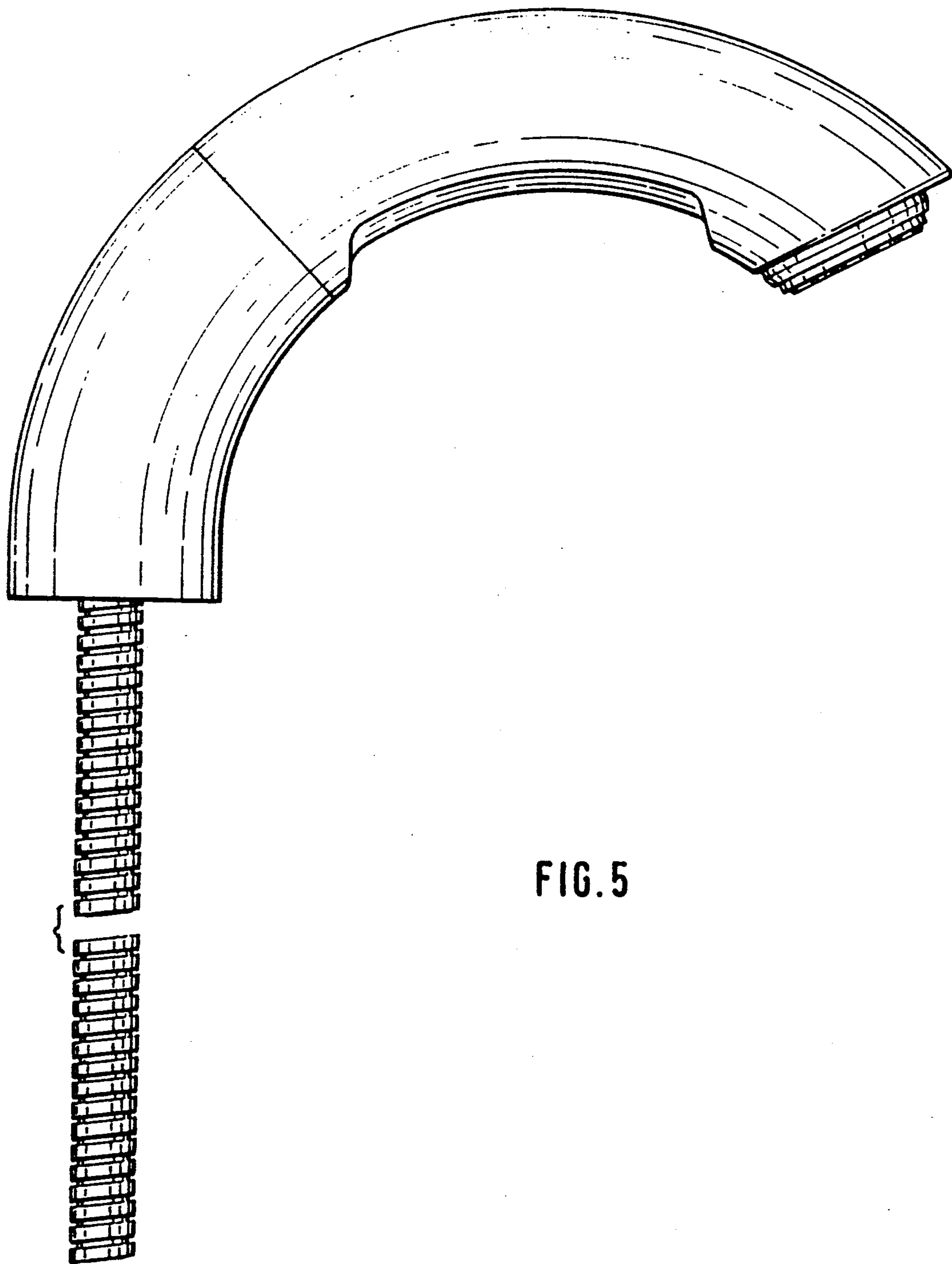


FIG. 5

FIG. 6

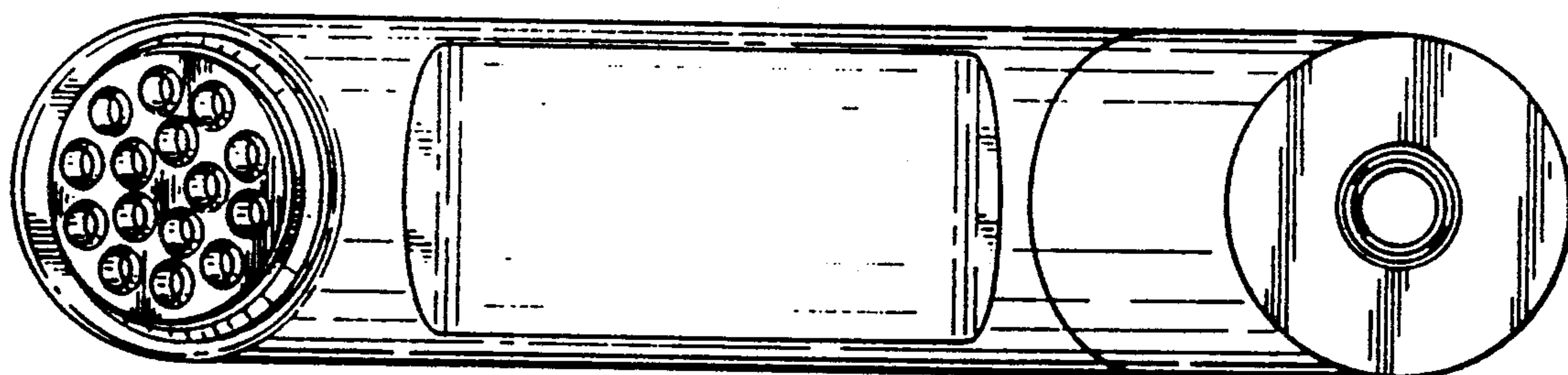
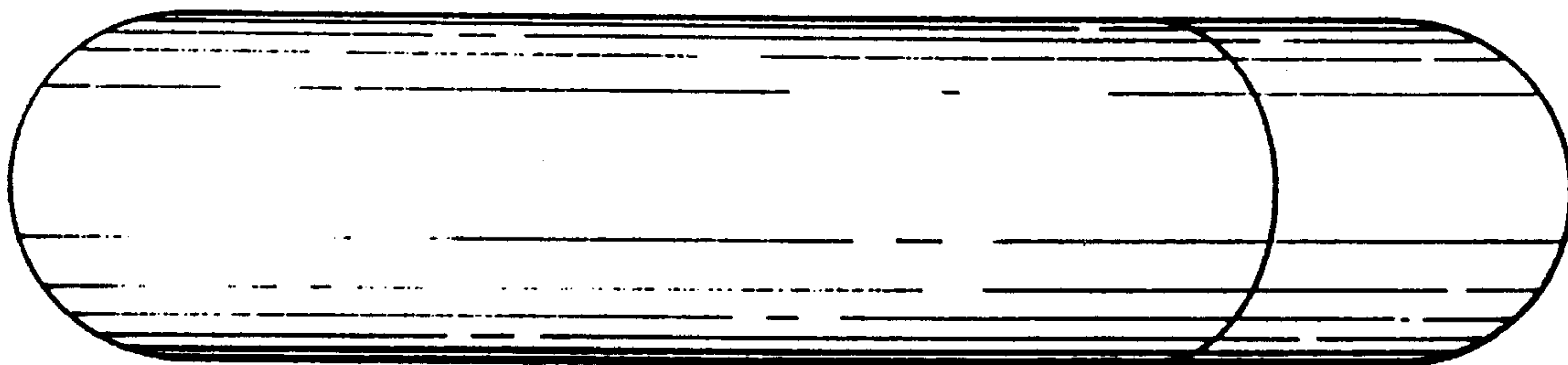


FIG. 7



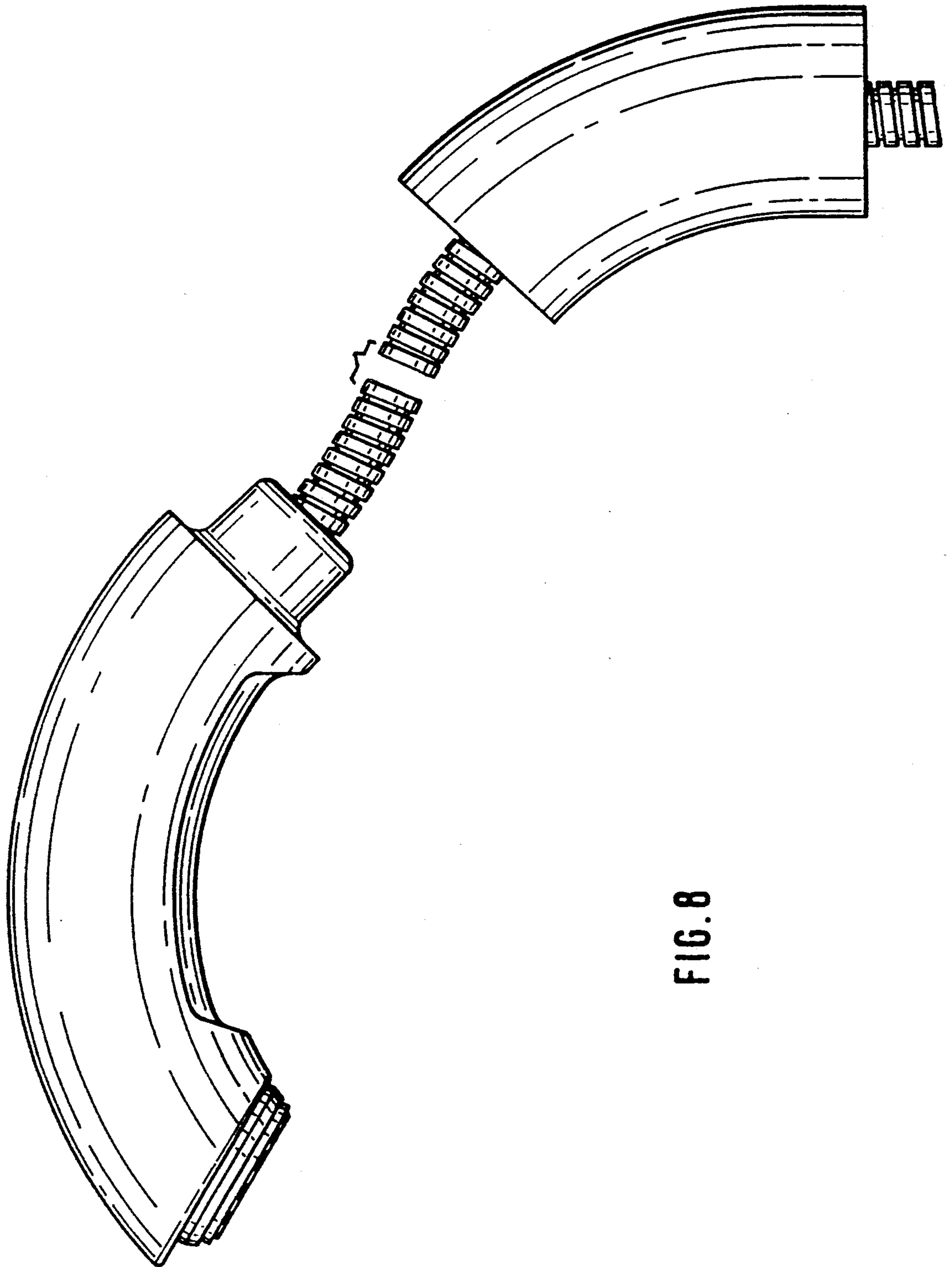


FIG. 8