

[54] LIQUID AERATOR

[75] Inventor: Peter S. Gross, Plymouth, Minn.

[73] Assignee: Aeromix Systems, Incorporated, Minneapolis, Minn.

[\*\*] Term: 14 Years

[21] Appl. No.: 396,468

[22] Filed: Aug. 21, 1989

[52] U.S. Cl. .... D23/213

[58] Field of Search ..... D23/200, 213, 231-232; 261/16, 83, 87, 30, 93

[56] References Cited

U.S. PATENT DOCUMENTS

- 3,796,417 3/1974 Kaelin ..... 261/93
- 3,975,469 8/1976 Fuchs ..... 261/93 X
- 4,240,990 12/1980 Inhofer et al. .... 261/93 X

- 4,287,137 9/1981 Sonoyama et al. .... 261/93
- 4,741,870 5/1988 Gross ..... 261/93
- 4,844,843 7/1989 Rajendren ..... 261/87 X

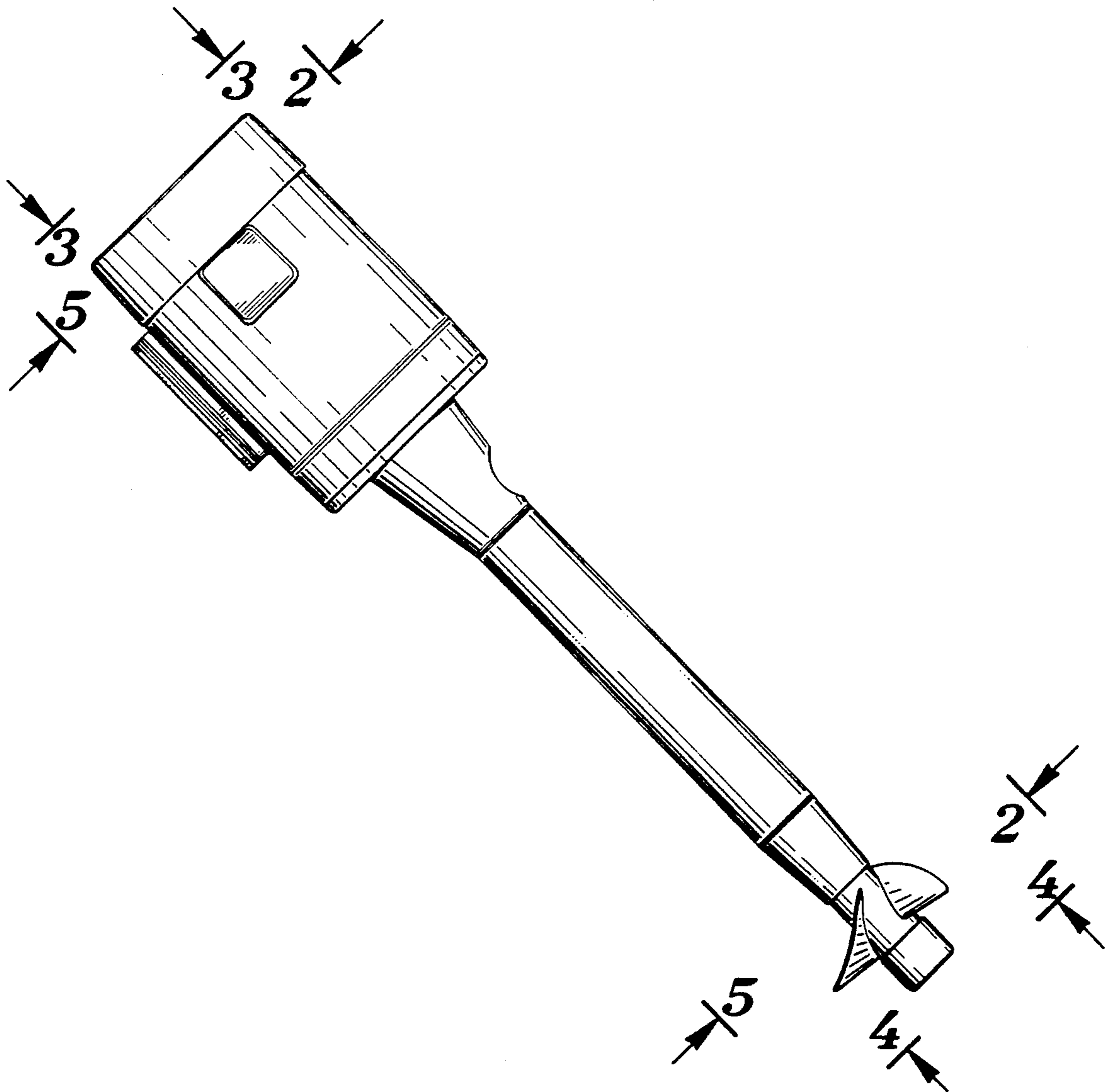
Primary Examiner—Susan J. Lucas  
Assistant Examiner—M. H. Tung  
Attorney, Agent, or Firm—Kinney & Lange

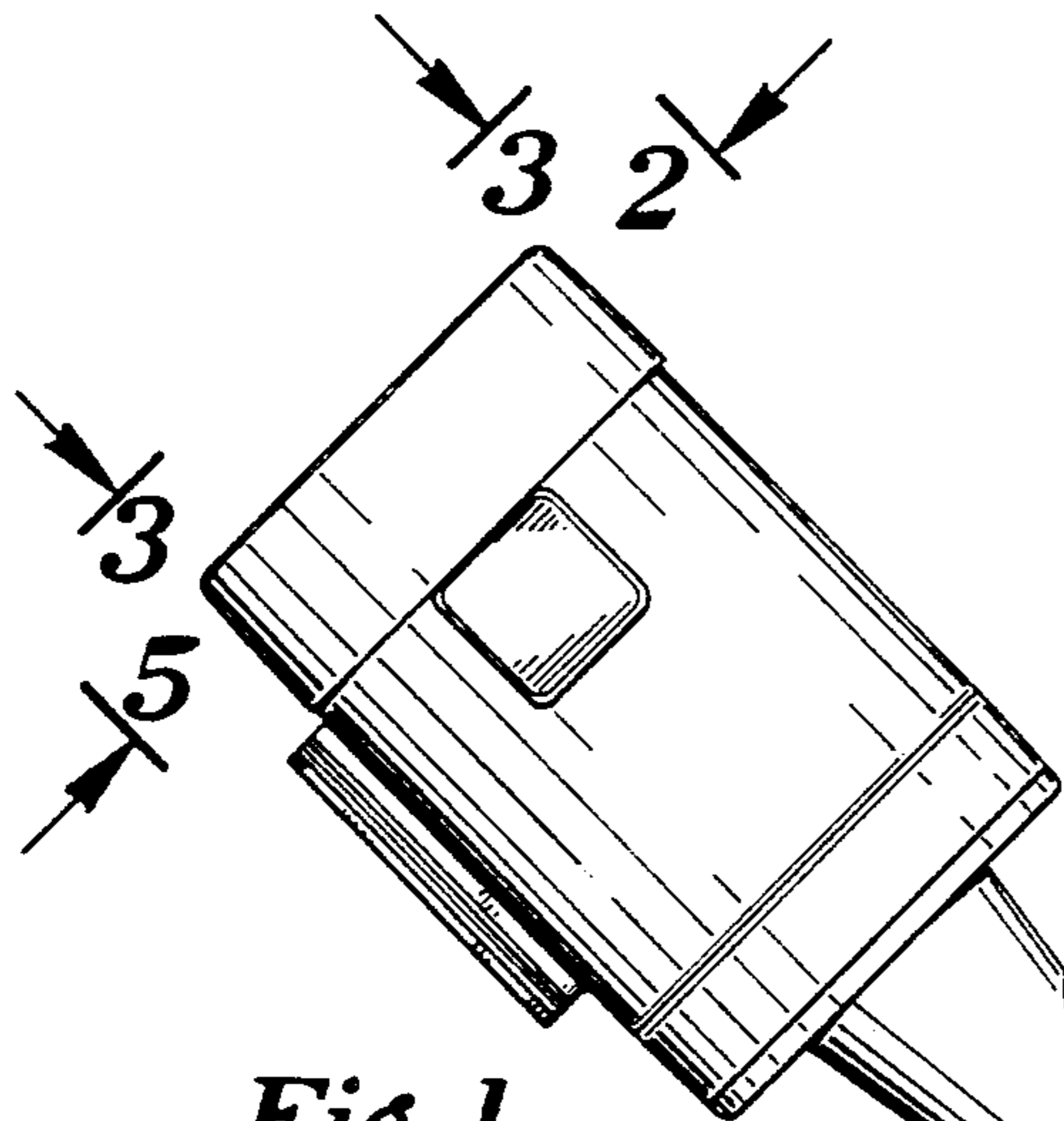
[57] CLAIM

The ornamental design for a liquid aerator, as shown and described.

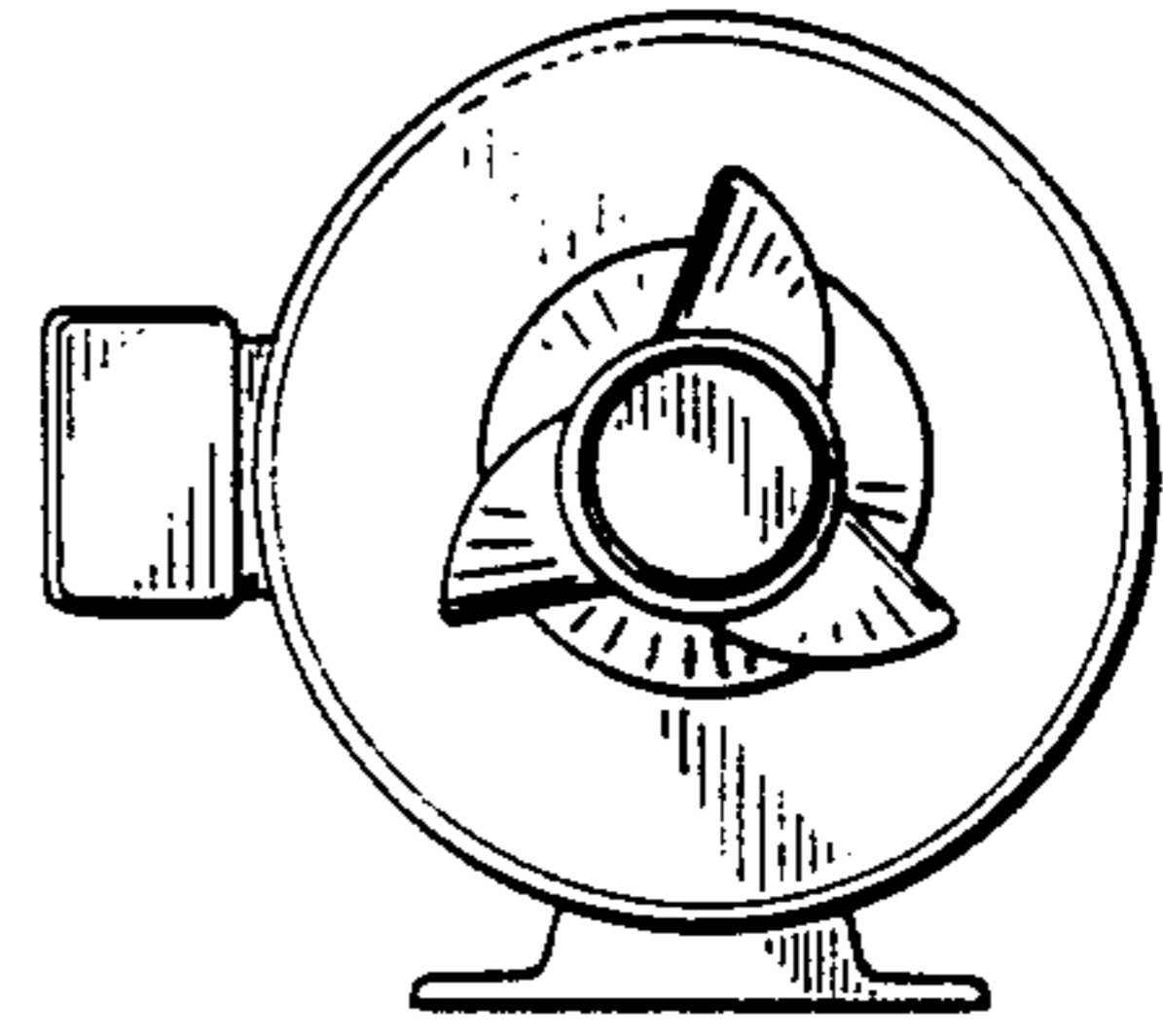
DESCRIPTION

FIG. 1 is a side elevational view of a liquid aerator showing my new design, the opposite side being a mirror image except for the lack of a square knob; FIG. 2 is a top plan view thereof; FIG. 3 is a rear elevational view thereof; FIG. 4 is a front elevational view thereof; and FIG. 5 is a bottom plan view thereof.

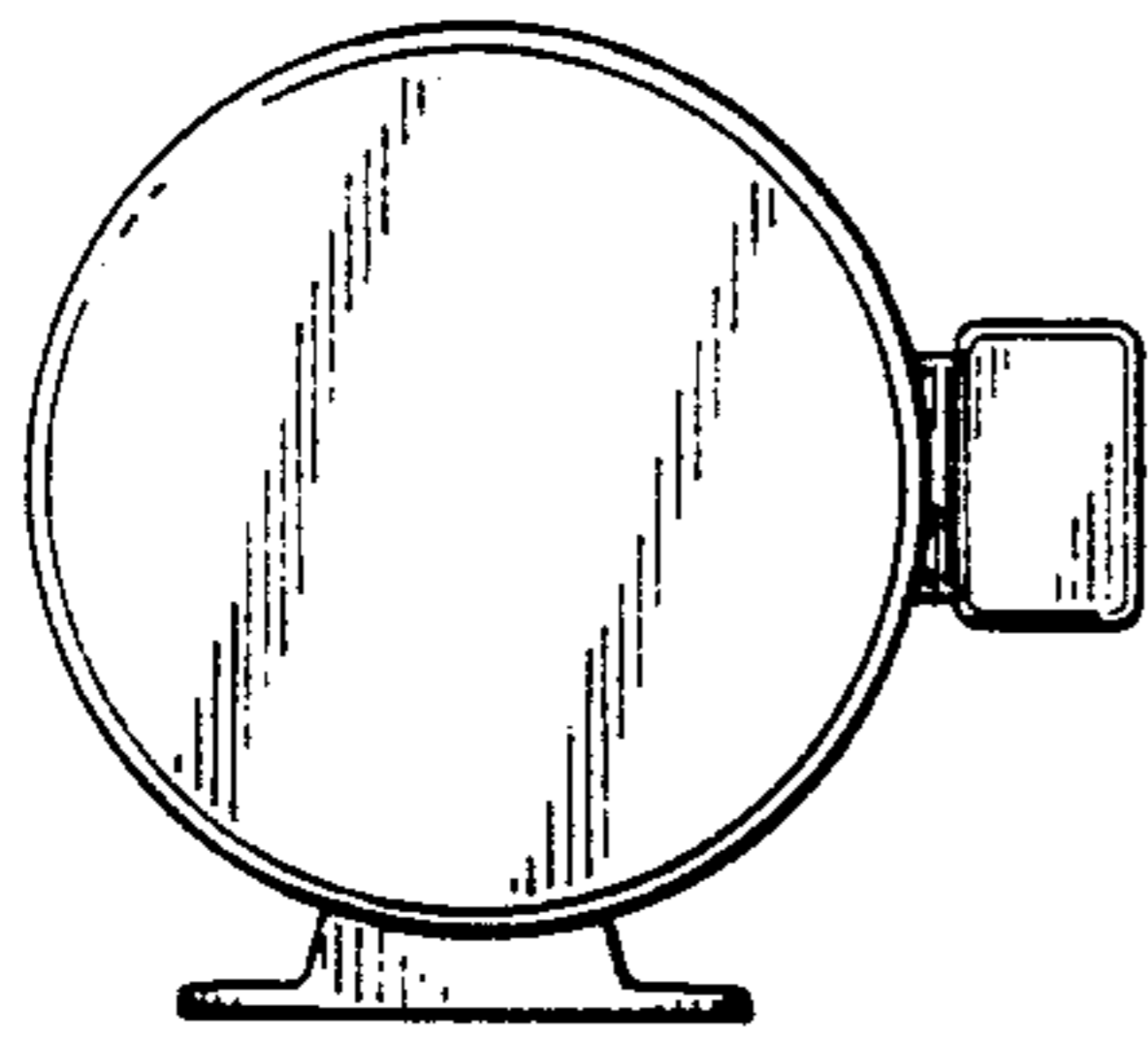




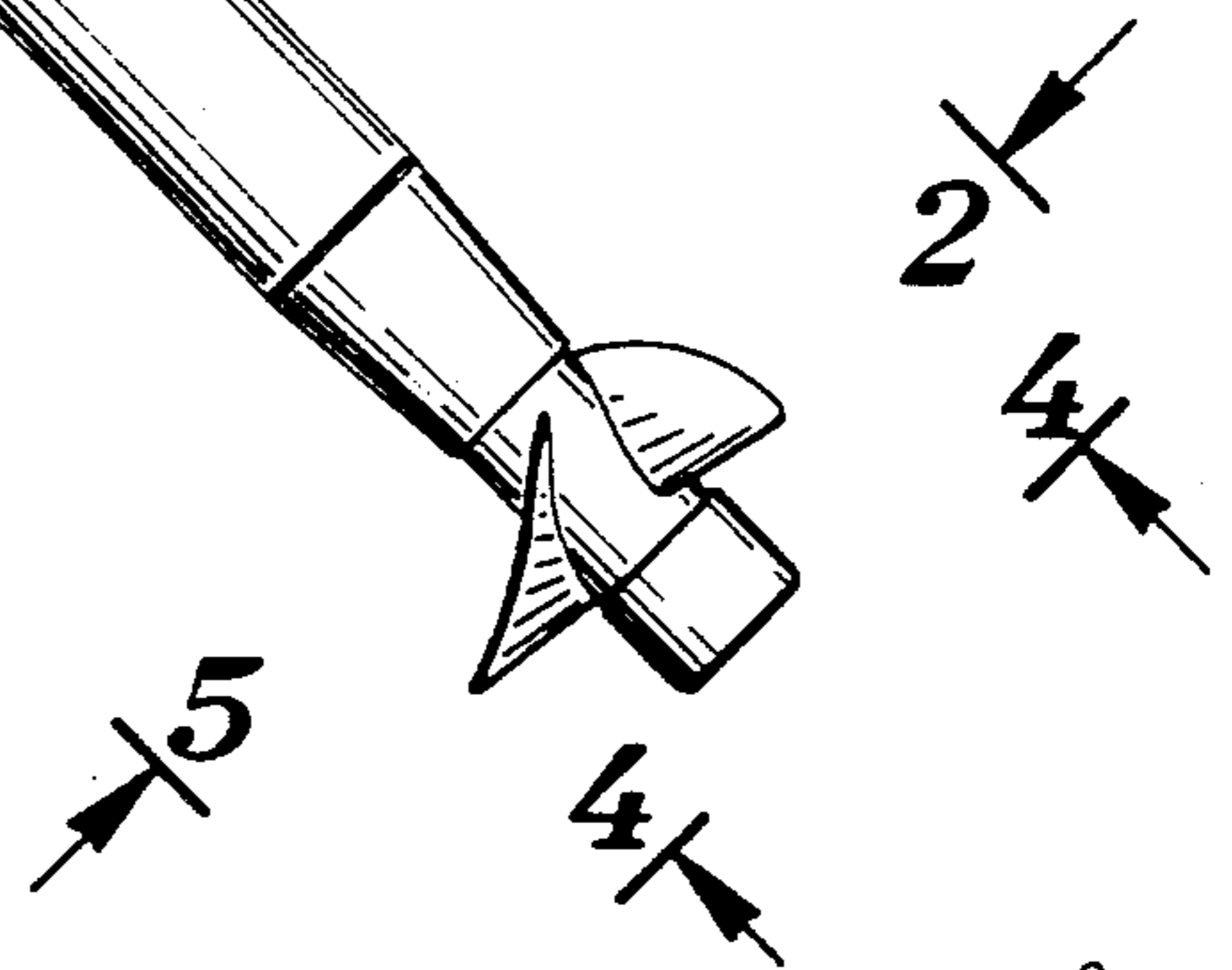
*Fig. 1*



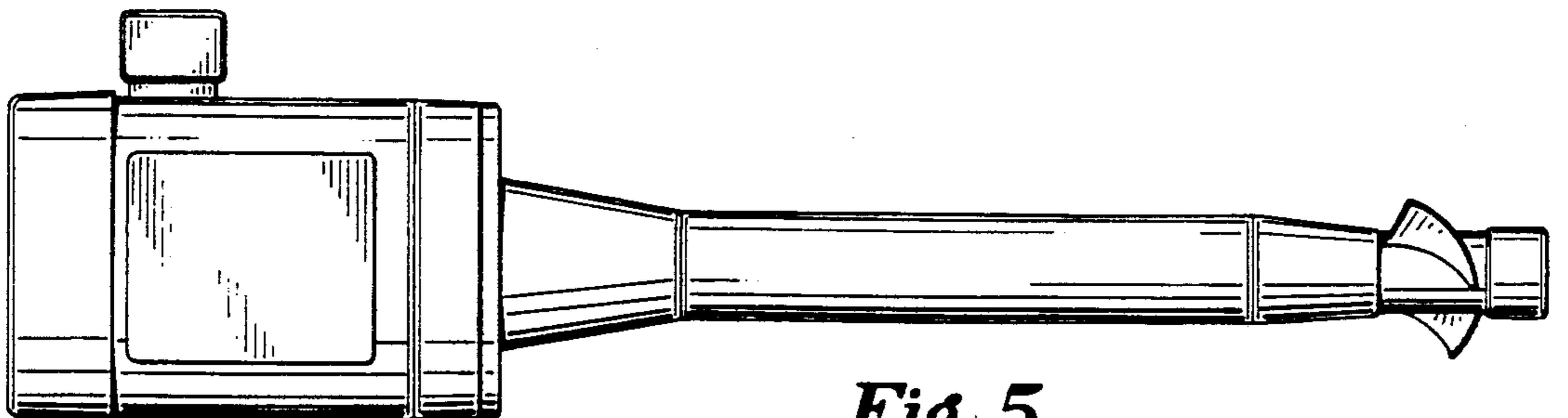
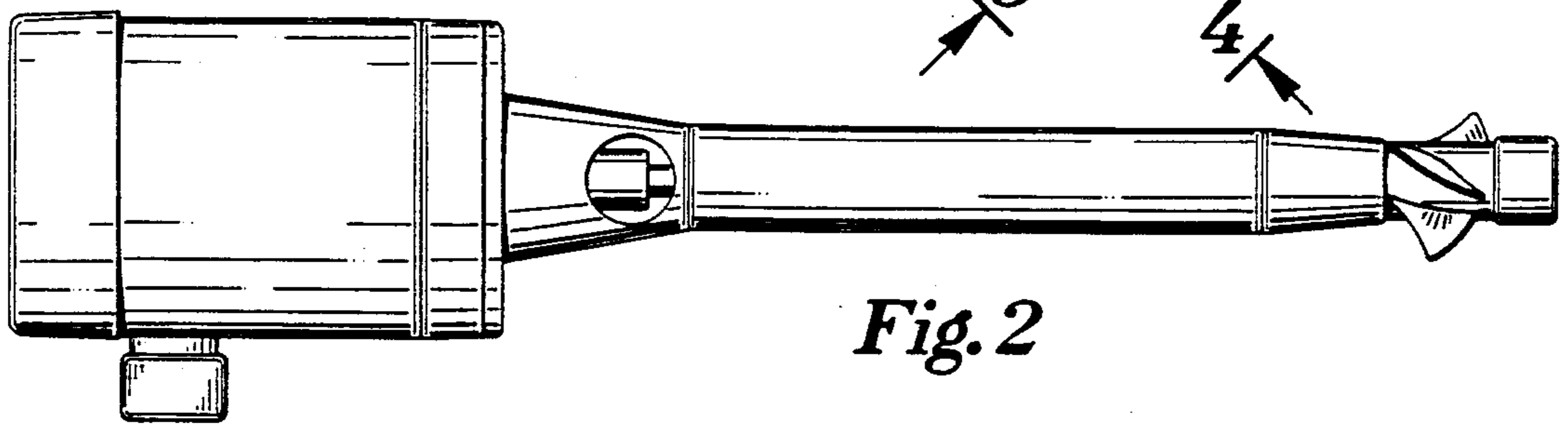
*Fig. 4*



*Fig. 3*



*Fig. 2*



*Fig. 5*