

[54] FILTER PLATE

4,867,876 9/1989 Kopf 210/231 X

[76] Inventor: Henry B. Kopf, 108 Coatbridge Cir., Cary, N.C. 27511

FOREIGN PATENT DOCUMENTS

[*] Notice: The portion of the term of this patent subsequent to Jan. 30, 2004 has been disclaimed.

36926 8/1984 European Pat. Off. .
2930986 2/1980 Fed. Rep. of Germany .
229603 1/1985 German Democratic Rep. .
8600237 1/1986 PCT Int'l Appl. .

[**] Term: 14 Years

Primary Examiner—Wallace R. Burke
Assistant Examiner—M. H. Tung
Attorney, Agent, or Firm—Steven J. Hultquist

[21] Appl. No.: 403,148

[57] CLAIM

[22] Filed: Sep. 1, 1989

The ornamental design for a filter plate, as shown and described.

[52] U.S. Cl. D23/209

[58] Field of Search D23/200, 207-210;
210/227-228, 231, 321.75, 321.84, 445, 456, 488

DESCRIPTION

[56] References Cited

U.S. PATENT DOCUMENTS

2,663,431	12/1953	Clarke	210/231
3,278,033	10/1966	Winterstein	210/231
3,497,065	2/1970	Johnson, Jr.	210/231
3,543,938	12/1970	Busse et al.	210/231 X
4,801,381	1/1989	Niesen	210/321.84

FIG. 1 is a top plan view of a filter plate showing my new design;

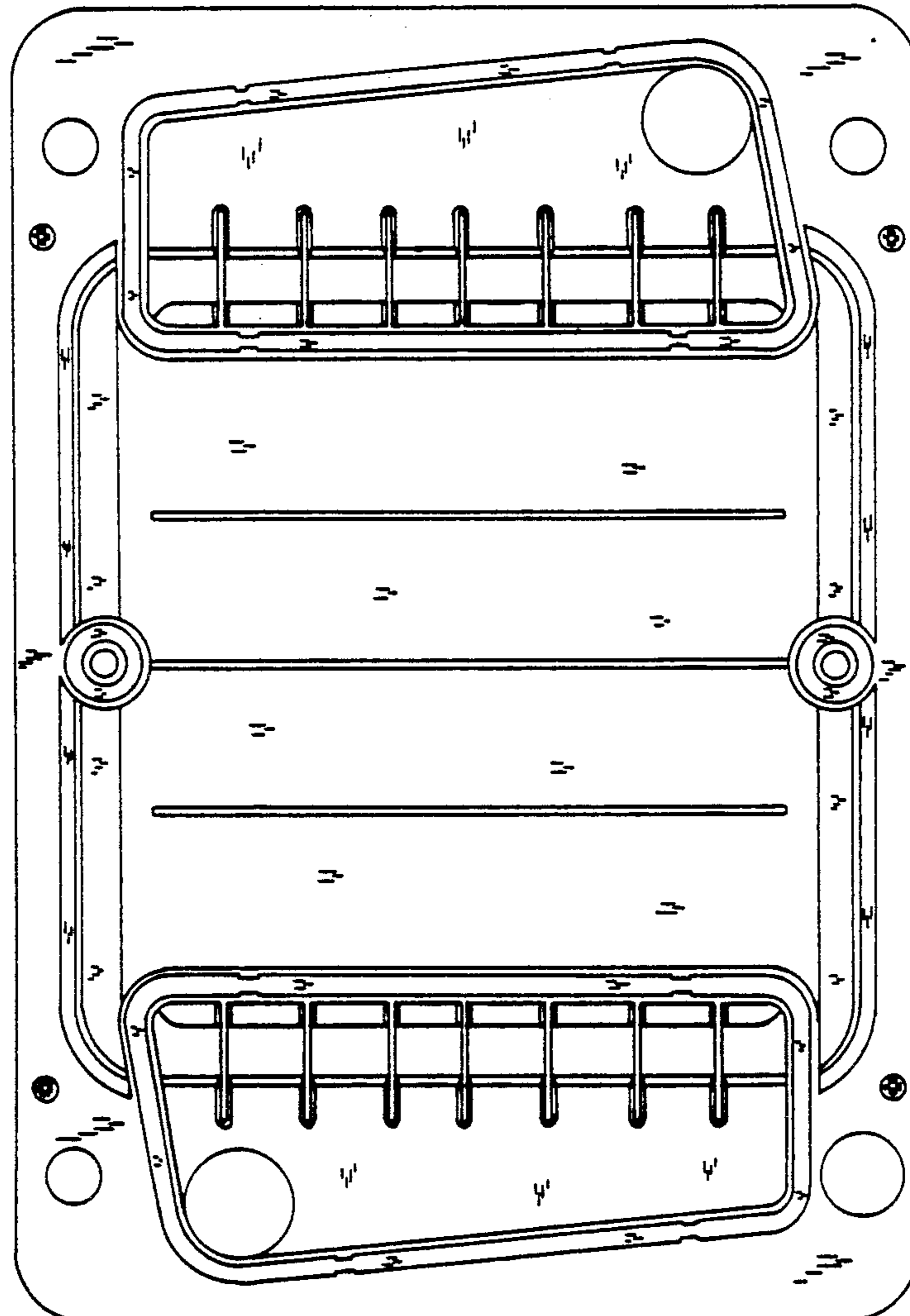
FIG. 2 is a bottom plan view thereof;

FIG. 3 is a left side elevational view thereof;

FIG. 4 is a right side elevational view thereof;

FIG. 5 is a rear elevational view thereof; and

FIG. 6 is a front elevation view thereof.



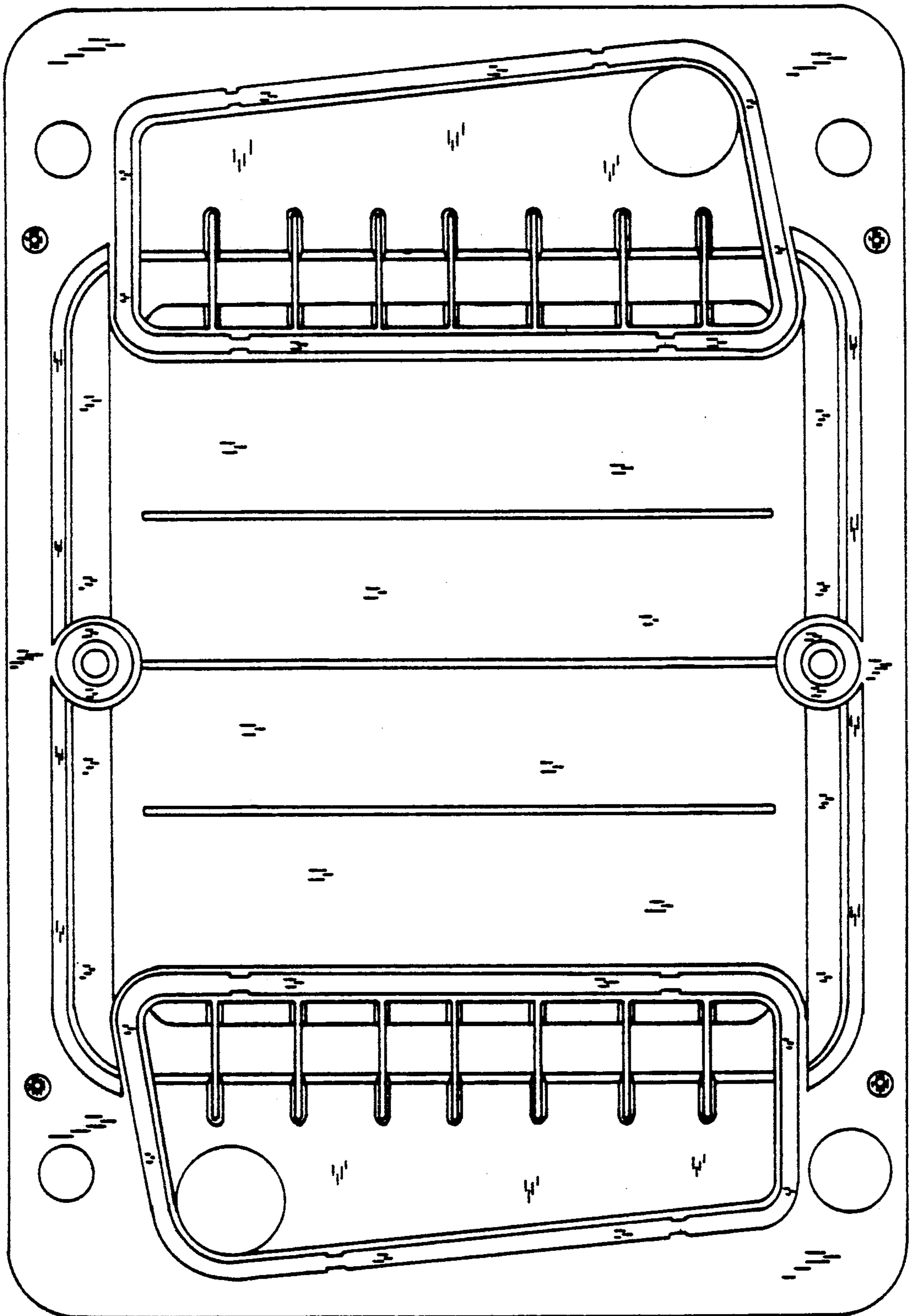


FIG. 1

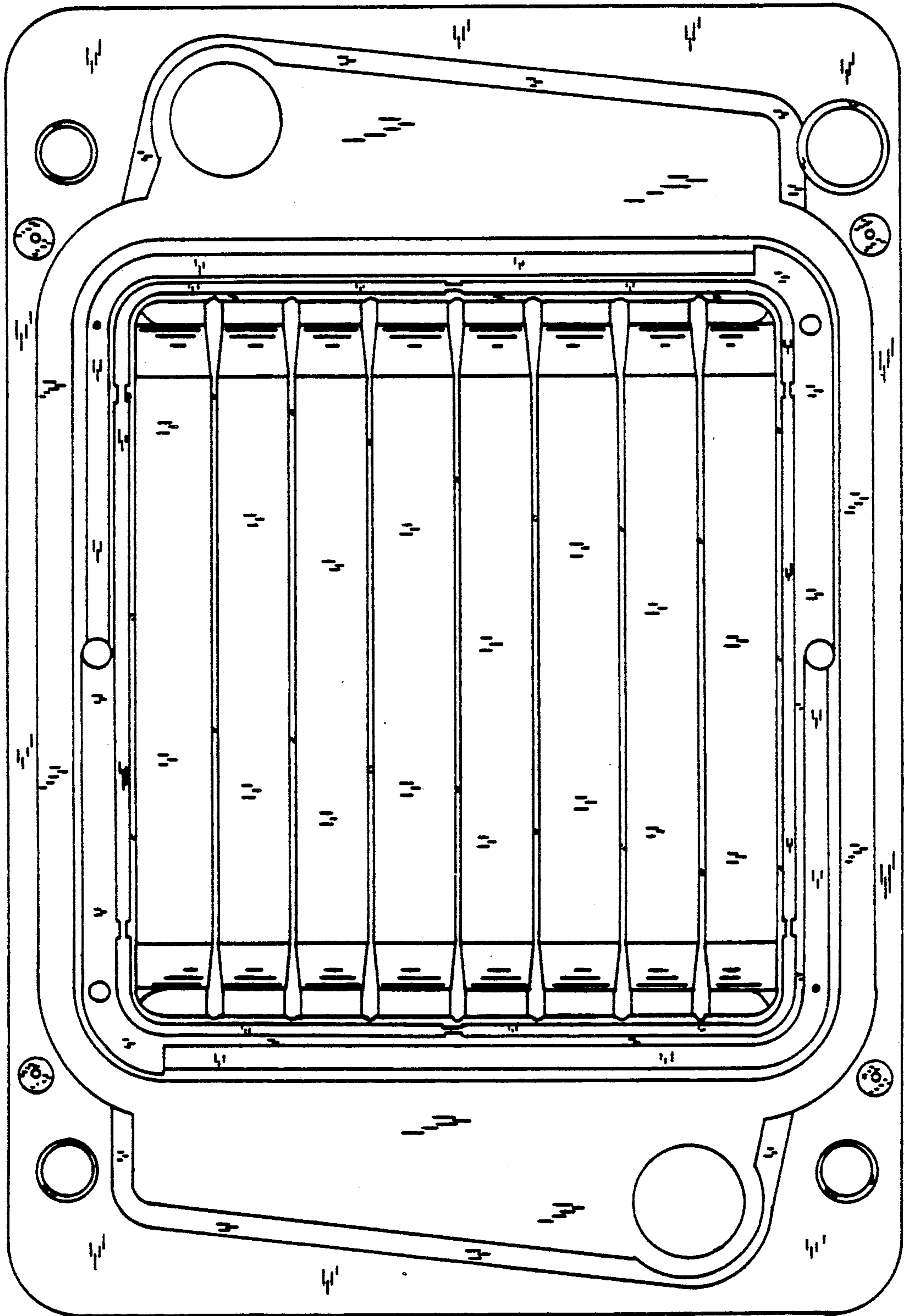


FIG. 2



FIG. 3



FIG. 4



FIG. 5



FIG. 6