

United States Patent [19]

Kastenhuber

[11] Patent Number: **Des. 322,112**

[45] Date of Patent: **** Dec. 3, 1991**

[54] **COMBINED GOLF PUTTER HEAD AND SPLIT HOSEL**

[76] Inventor: **Lawrence G. Kastenhuber**, 1421 N. Geyer Rd., Kirkwood, Mo. 63122

[**] Term: **14 Years**

[21] Appl. No.: **317,786**

[22] Filed: **Mar. 2, 1989**

[52] U.S. Cl. **D21/217**

[58] Field of Search **D21/214-220; 273/167-175, 164**

[56] **References Cited**

U.S. PATENT DOCUMENTS

D. 220,844 6/1971 Letters D21/219

D. 223,031 2/1972 Ernst D21/219
D. 240,249 6/1976 Chellman D21/219
D. 251,077 2/1979 Strop D21/217

Primary Examiner—Melvin B. Feifer
Attorney, Agent, or Firm—Robbins & Robbins

[57] **CLAIM**

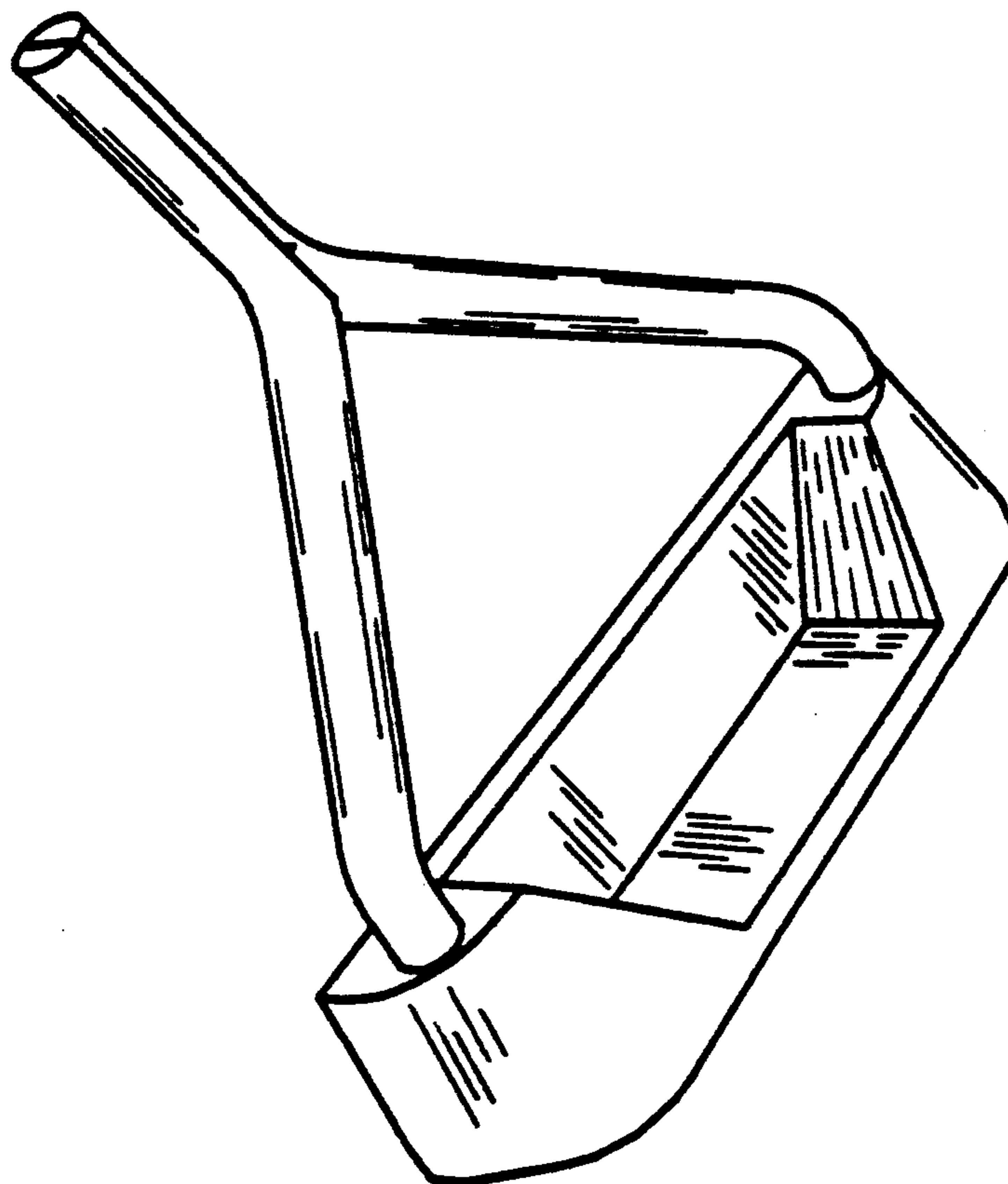
The ornamental design for a combined golf putter head and split hosel, as shown and described.

DESCRIPTION

FIG. 1 is a perspective view of the combined golf putter head and split hosel showing my new design from the front;

FIG. 2 is a perspective view thereof showing the putter head and split hosel from the rear;

FIG. 3 is a bottom plan view of the putter head.



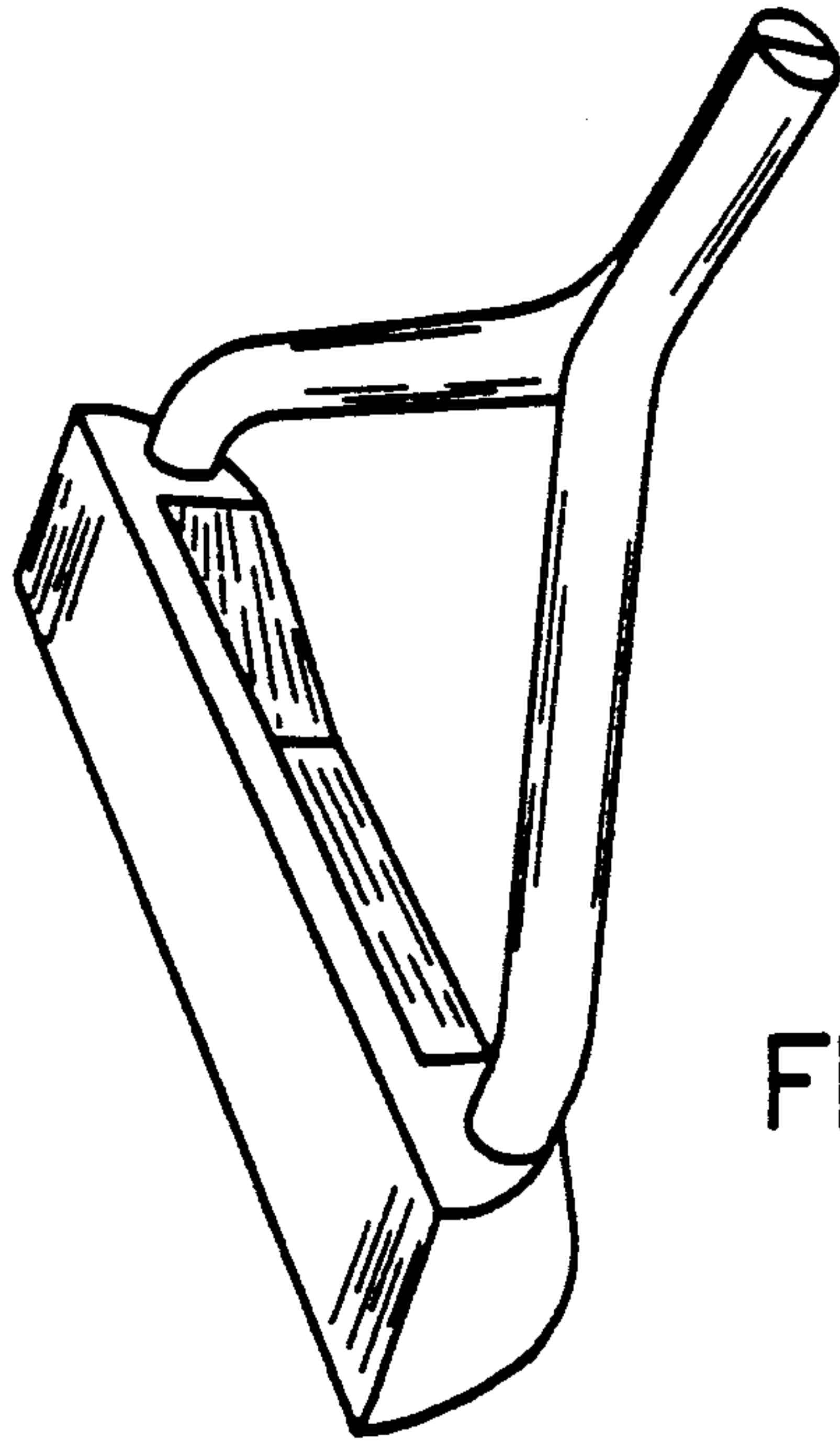


FIG. 1

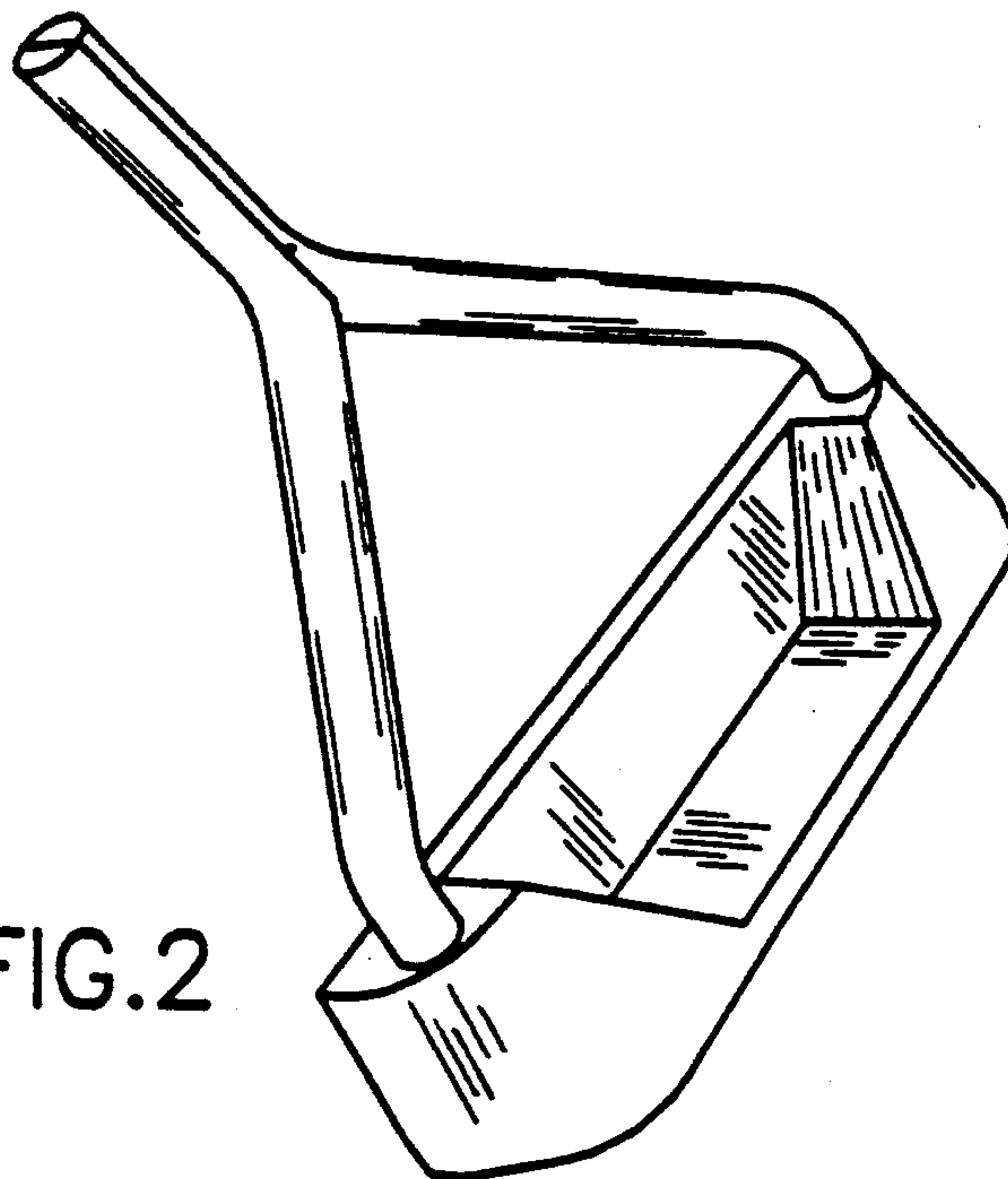


FIG. 2



FIG. 3