

[54] PUTTER TYPE GOLF CLUB HEAD

[76] Inventor: Anthony J. Antonious, 205 E. Joppa Rd., Towson, Md. 21204

[*] Notice: The portion of the term of this patent subsequent to Dec. 3, 2005 has been disclaimed.

[**] Term: 14 Years

[21] Appl. No.: 290,906

[22] Filed: Dec. 28, 1988

[52] U.S. Cl. D21/217

[58] Field of Search D21/214-220; 273/164, 167-175

[56] References Cited

U.S. PATENT DOCUMENTS

- D. 299,043 12/1988 Antonious D21/217
- D. 300,759 4/1989 Antonious D21/217

OTHER PUBLICATIONS

Golf Magazine, Mar. 1985, p. 80, lower middle, Gentle Ben Putter.

Primary Examiner—Melvin B. Feifer
Attorney, Agent, or Firm—N. J. Aquilino

[57] CLAIM

The ornamental design for an putter type golf club head, as shown and described.

DESCRIPTION

FIG. 1 is a rear perspective view showing my new design for a putter type golf club head;
 FIG. 2 is an end elevational view thereof;
 FIG. 3 is a rear elevational view thereof;
 FIG. 4 is an end elevational view taken from the opposite side of FIG. 2;
 FIG. 5 is a front elevational view thereof;
 FIG. 6 is a top plan view thereof;
 FIG. 7 is a bottom view thereof;
 FIG. 8 is a partial sectional view taken along the lines 8—8 of FIG. 5.

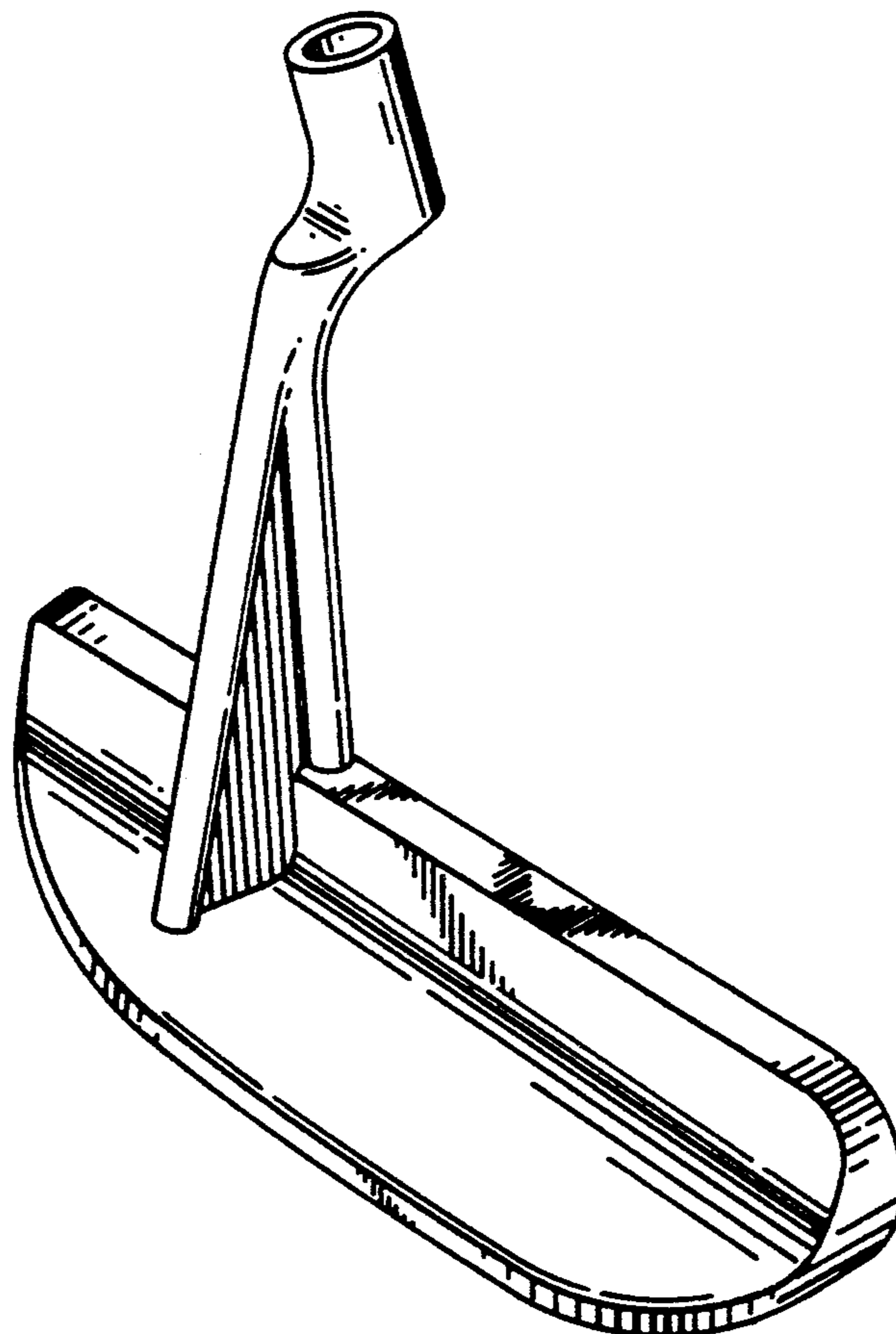


FIG. 1

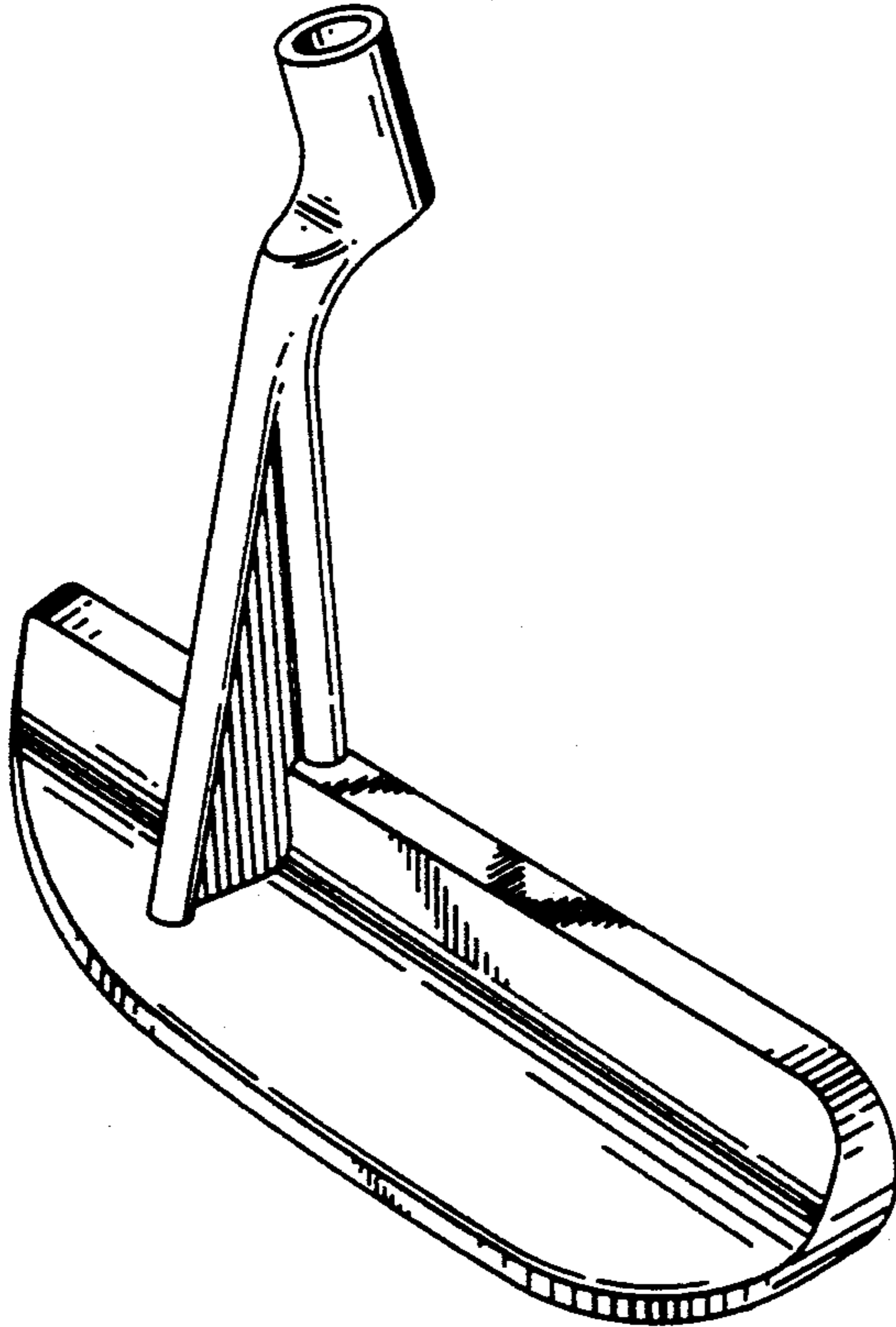


FIG. 2

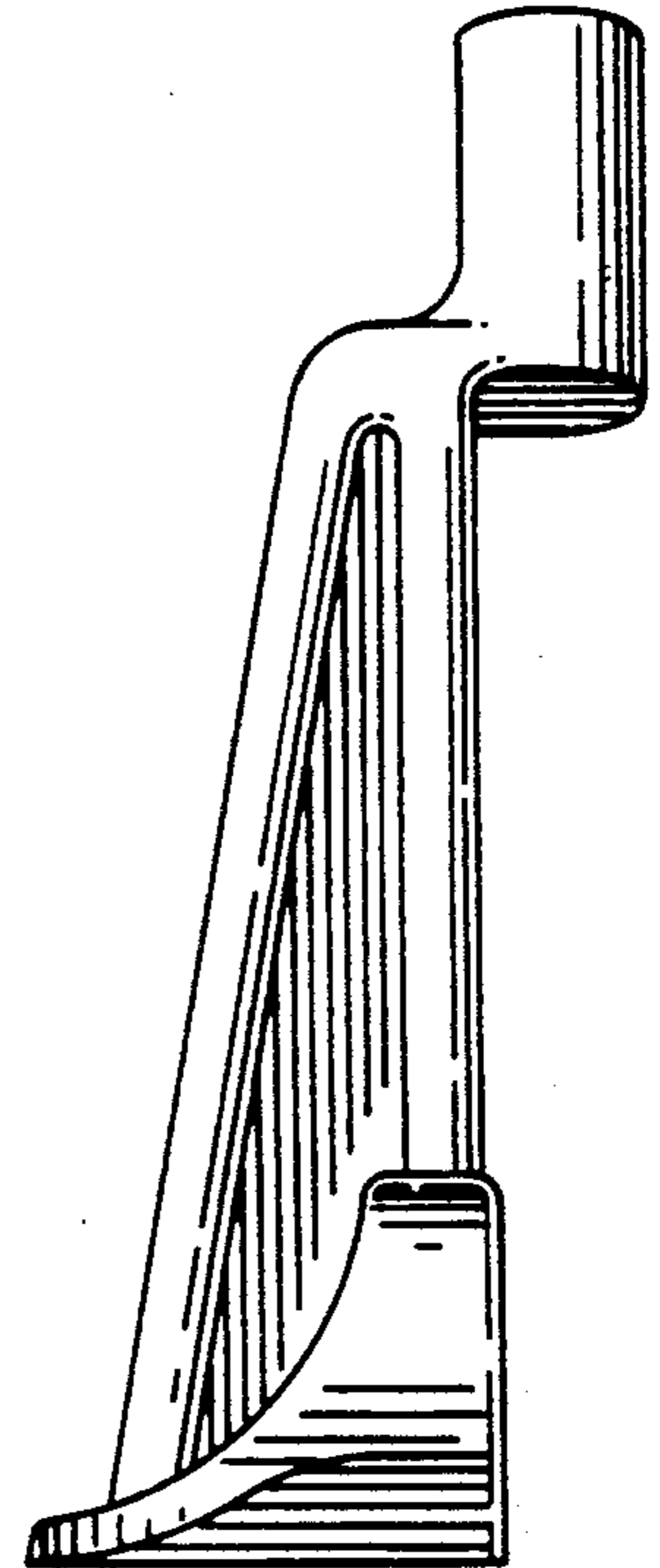


FIG. 3

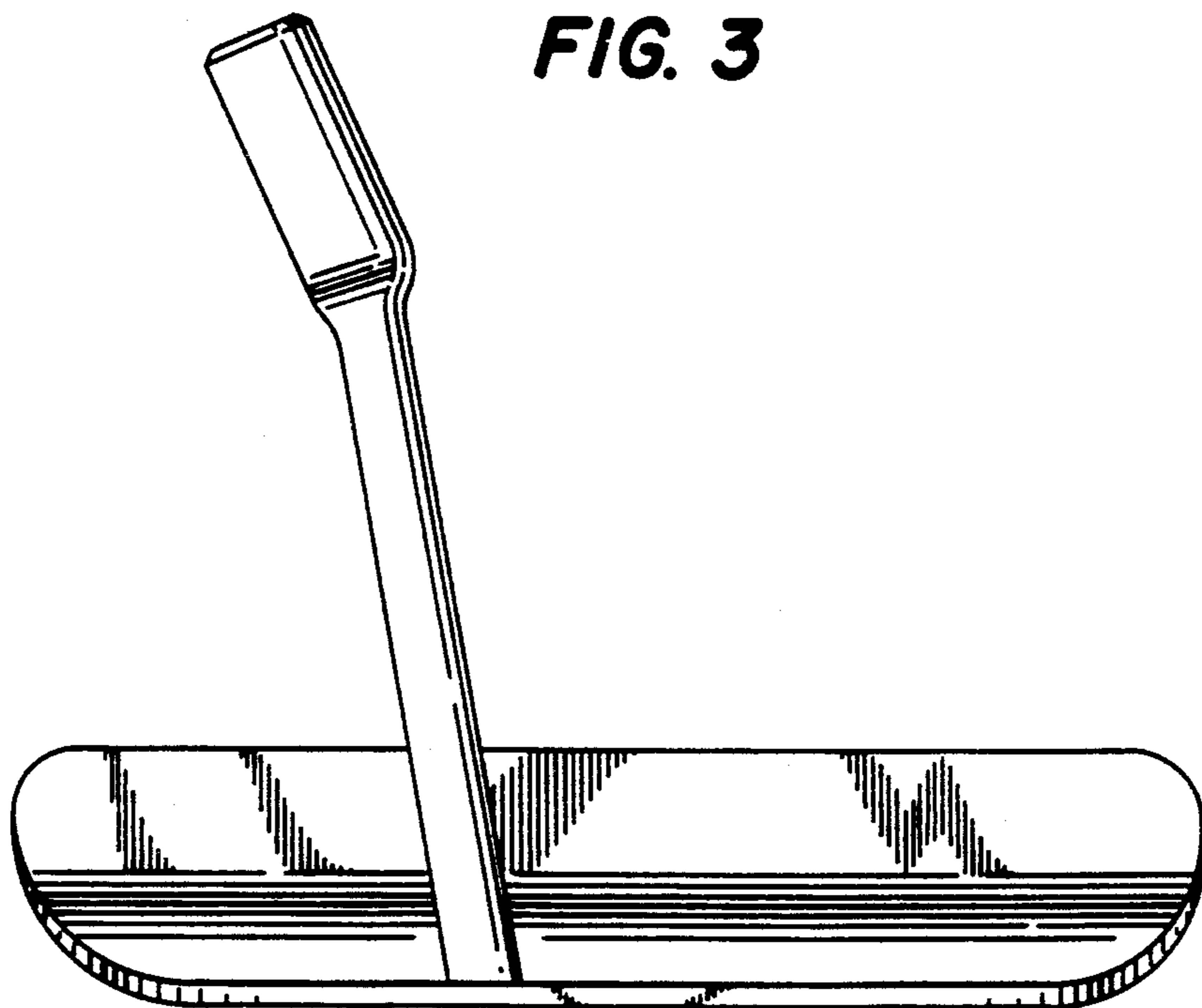


FIG. 4

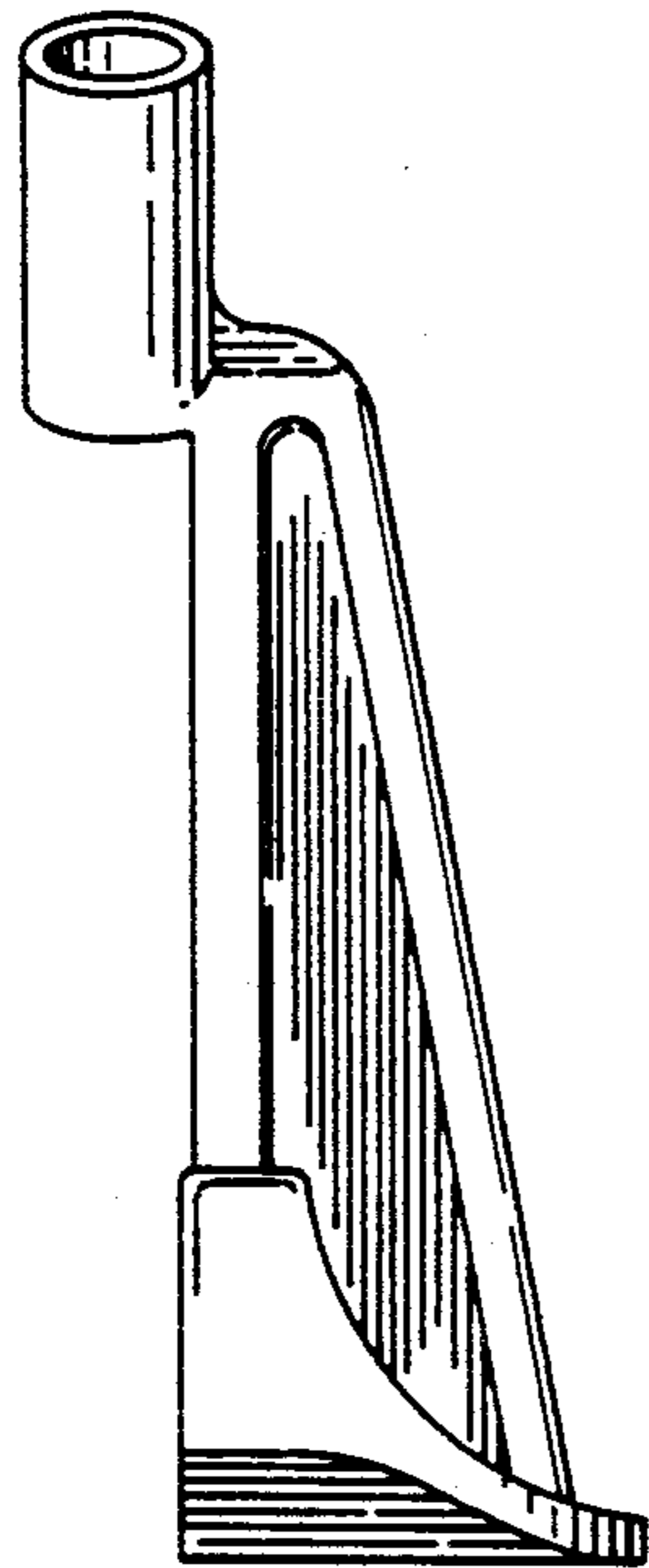


FIG. 5

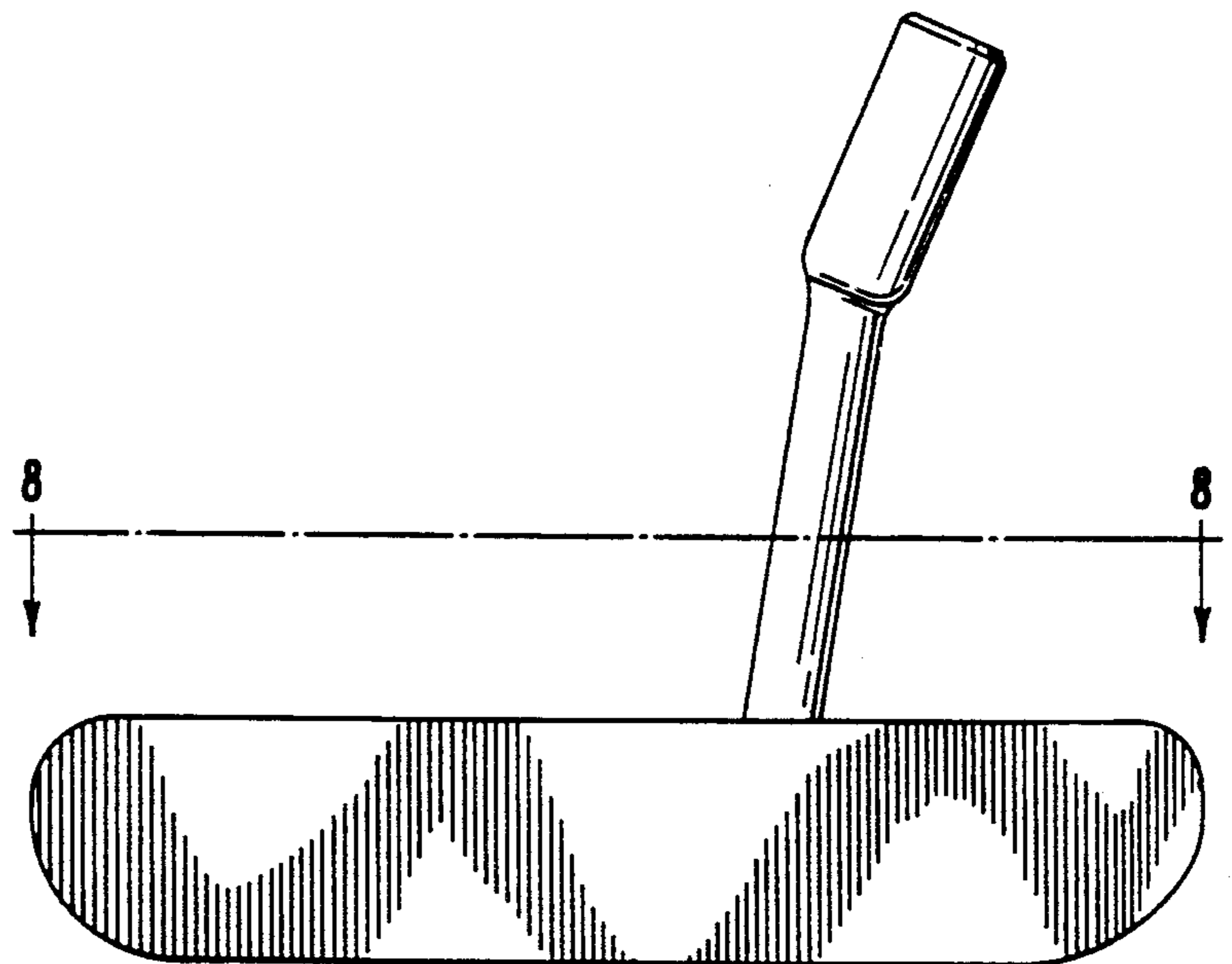


FIG. 6

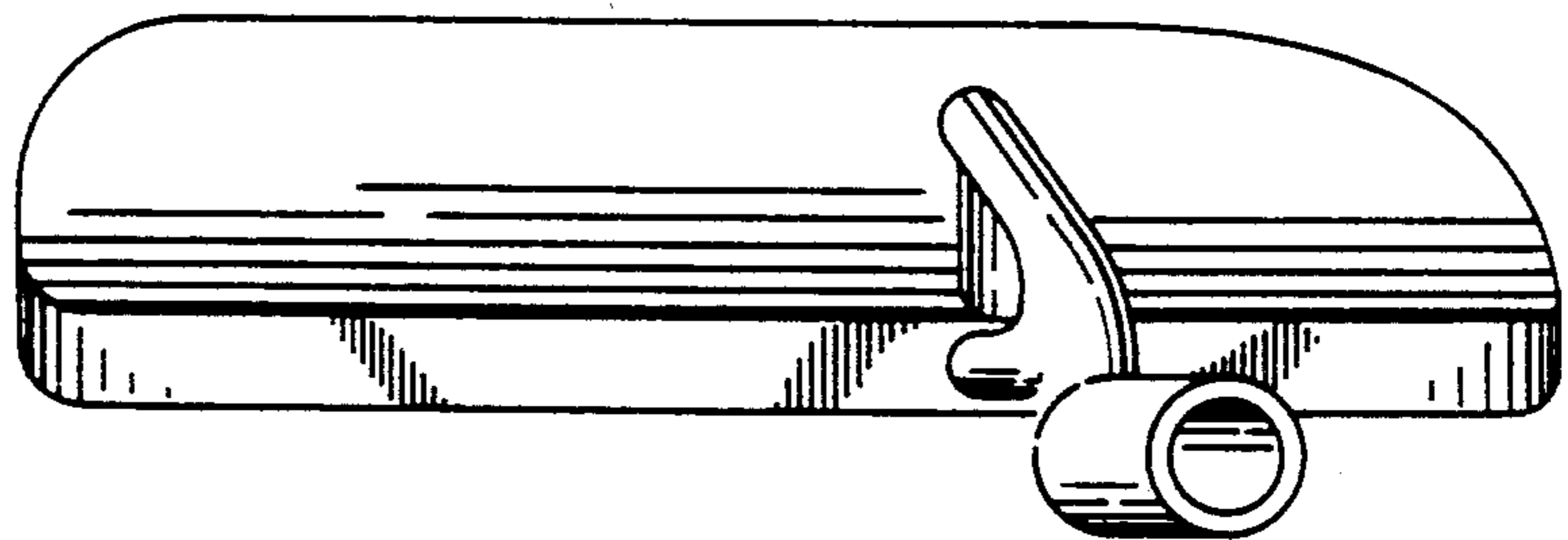


FIG. 7

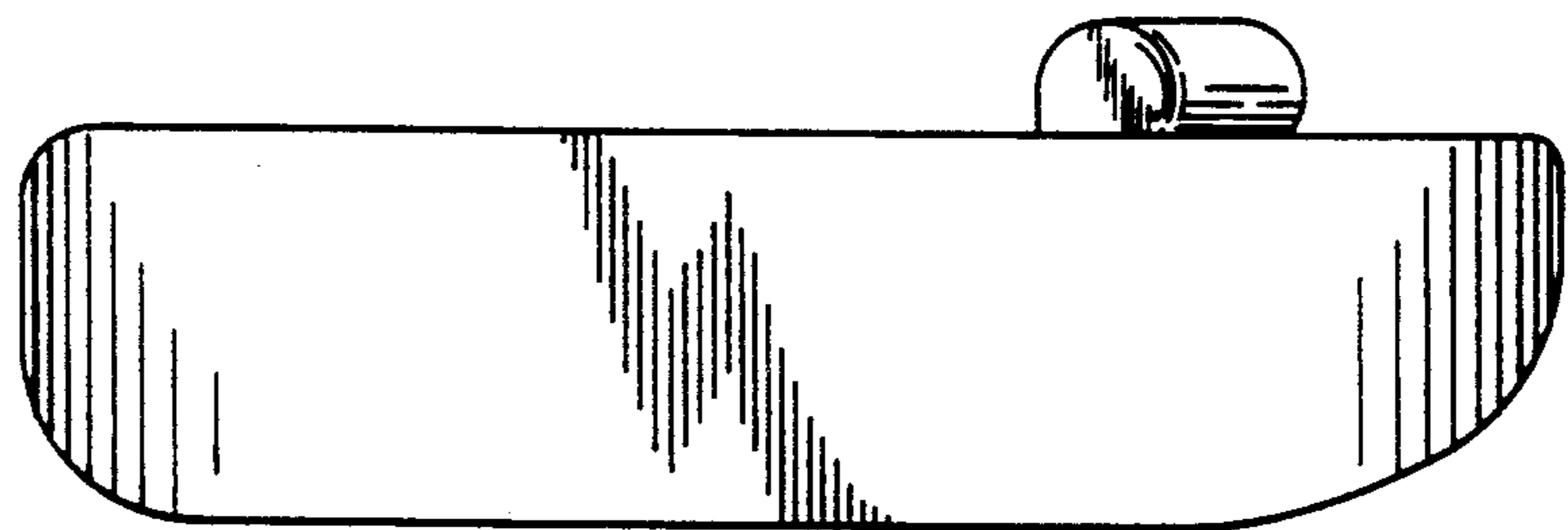


FIG. 8

