

[54] **GOLF CLUB HEAD**

[76] **Inventor:** Anthony J. Antonious, 205 E. Joppa Rd., Towson, Md. 21204

[*] **Notice:** The portion of the term of this patent subsequent to May 3, 2002 has been disclaimed.

[**] **Term:** 14 Years

[21] **Appl. No.:** 233,114

[22] **Filed:** Aug. 17, 1988

[52] **U.S. Cl.** D21/217

[58] **Field of Search** D21/214-220;
273/164, 167-175

[56] **References Cited**

U.S. PATENT DOCUMENTS

D. 300,445 3/1989 Antonious D21/217
4,747,599 5/1988 Antonious 273/164

OTHER PUBLICATIONS

Golf World, Jun. 27, 1986, p. F of Pro-Report, upper right, Titleist putter.

Primary Examiner—Melvin B. Feifer
Attorney, Agent, or Firm—N. J. Aquilino

[57] **CLAIM**

The ornamental design for a golf club head, as shown and described.

DESCRIPTION

FIG. 1 is a rear perspective view showing my new design for a golf club head;
FIG. 2 is a rear elevational view thereof;
FIG. 3 is an end elevational view thereof;
FIG. 4 is a front elevational view thereof;
FIG. 5 is an end elevational view taken from the opposite side of FIG. 3;
FIG. 6 is a top plan view thereof;
FIG. 7 is a bottom view thereof.

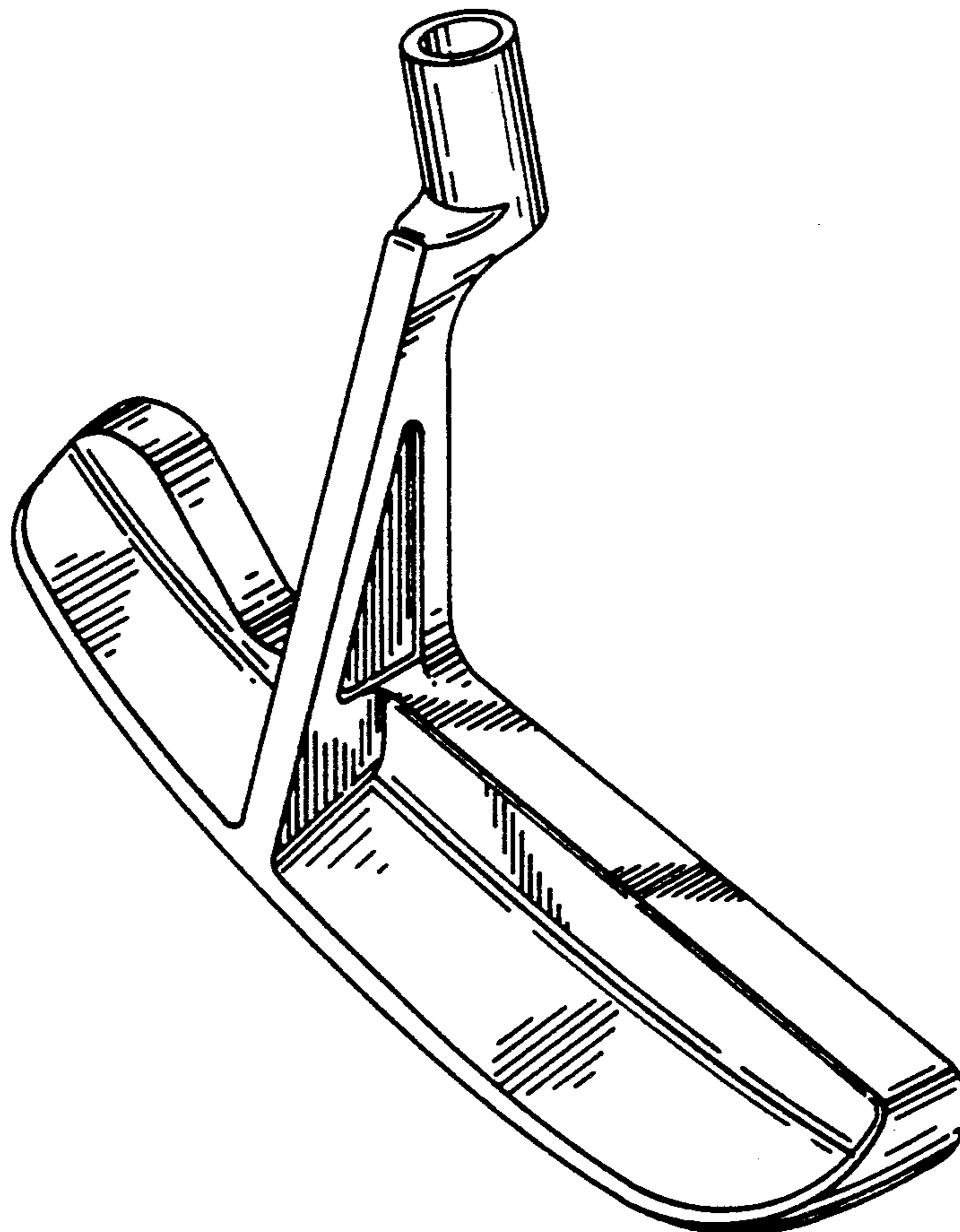


FIG. 1

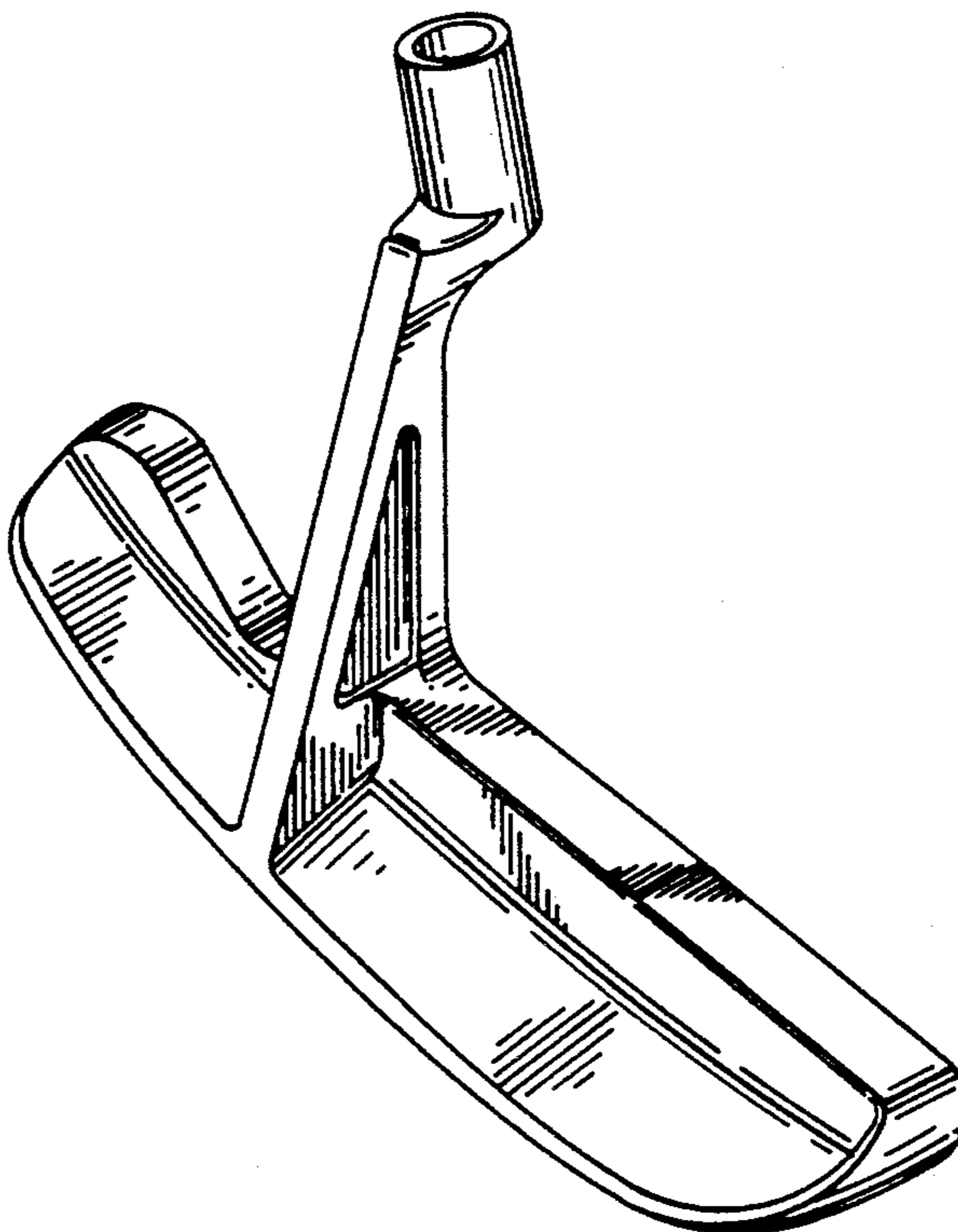


FIG. 2

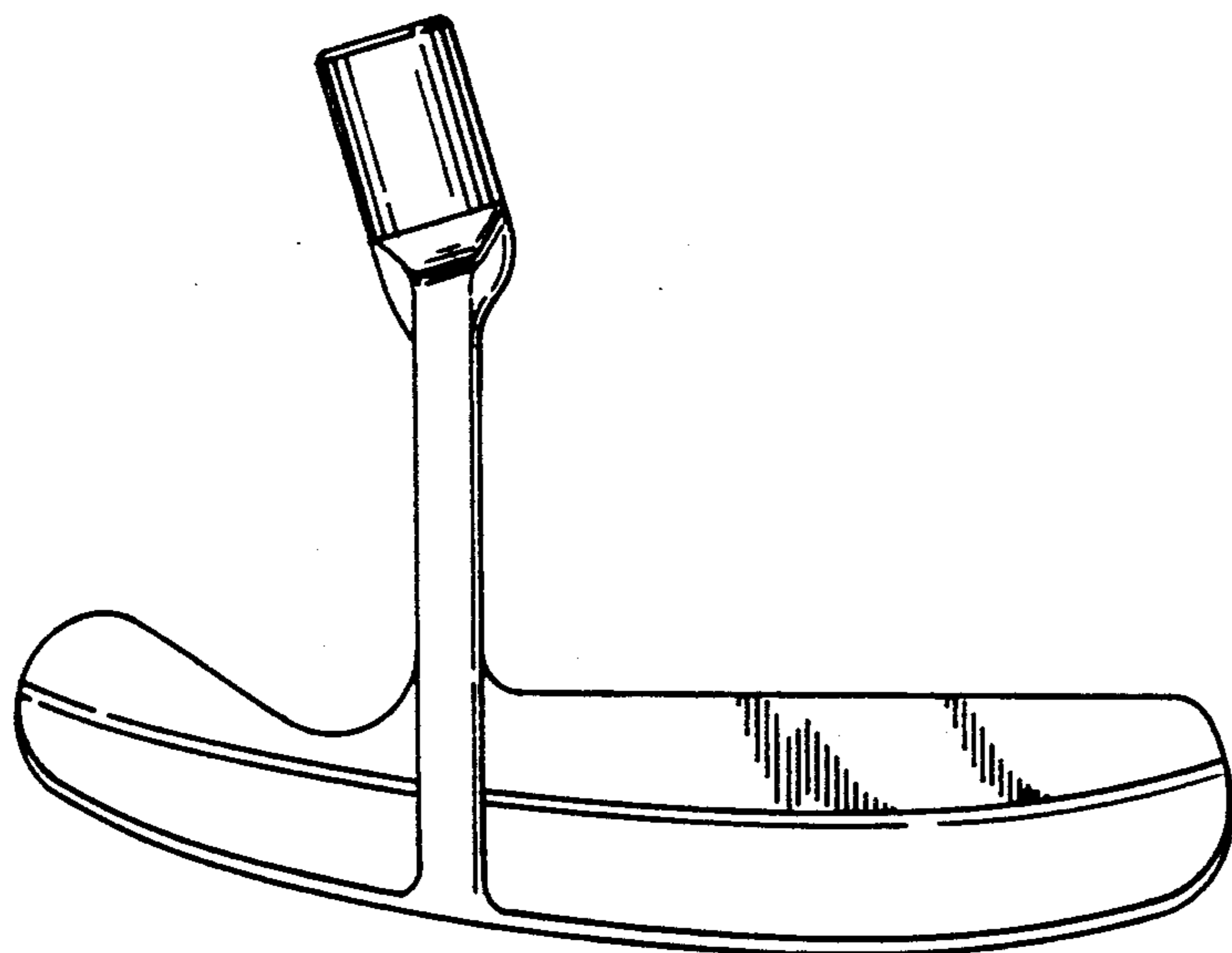


FIG. 3

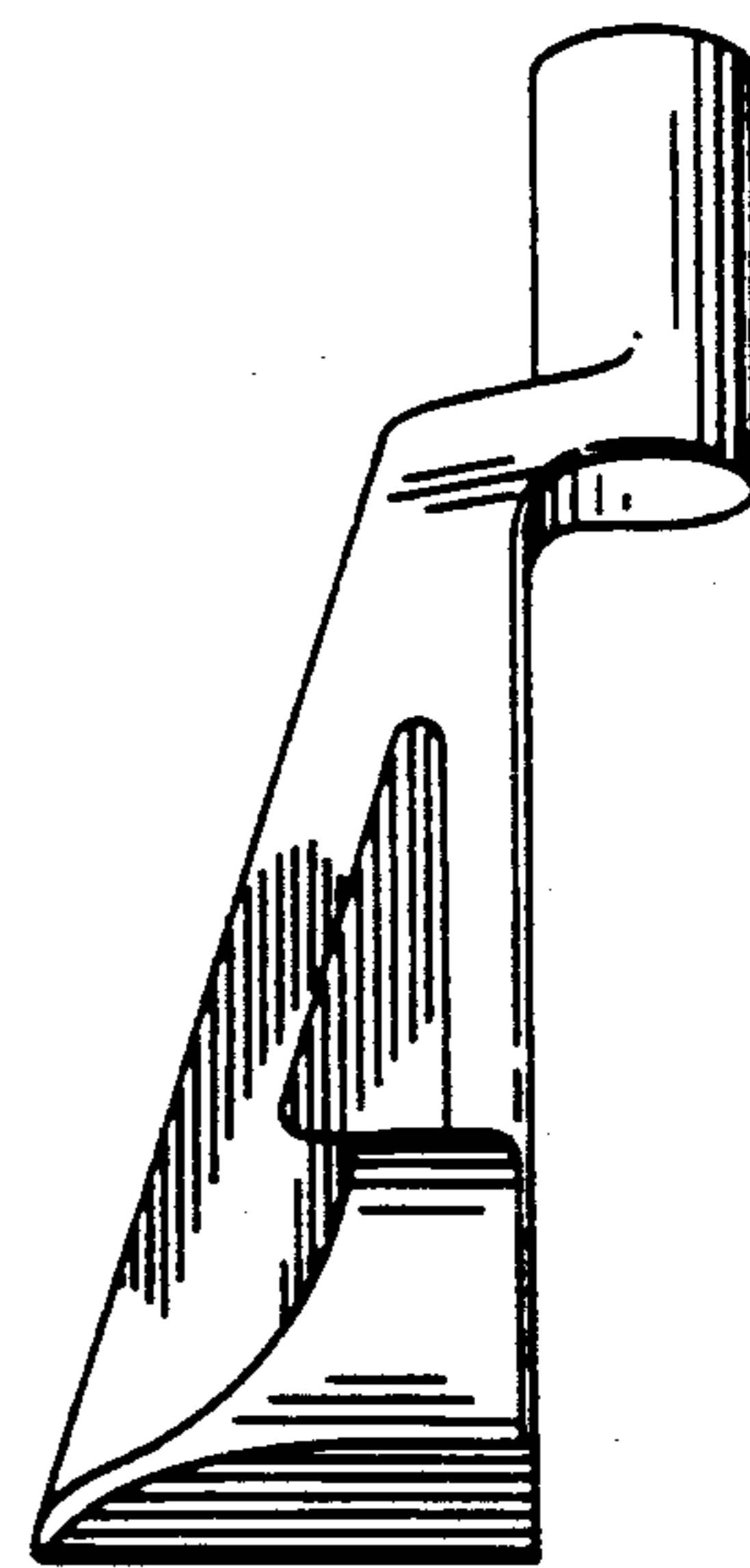


FIG. 4

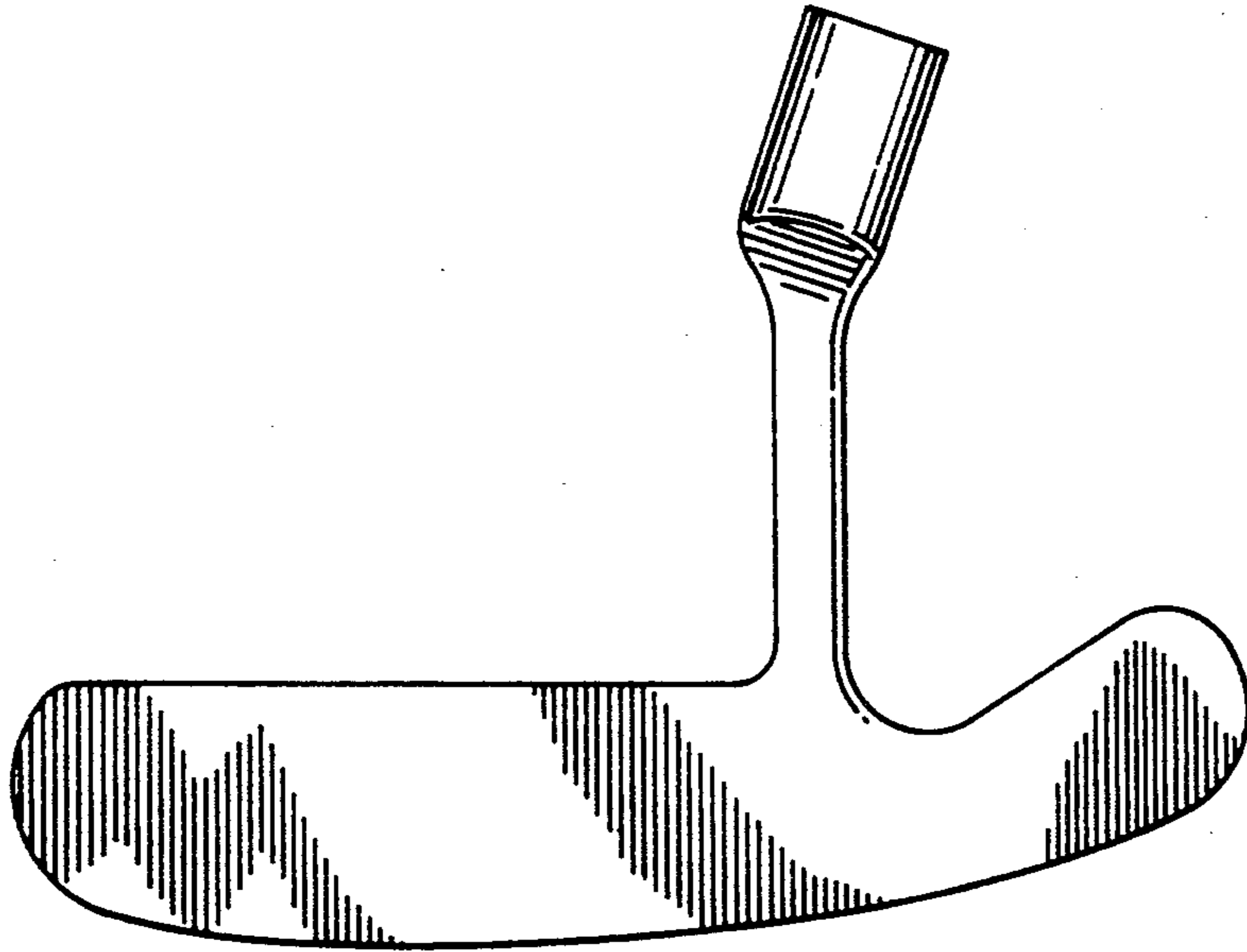


FIG. 5

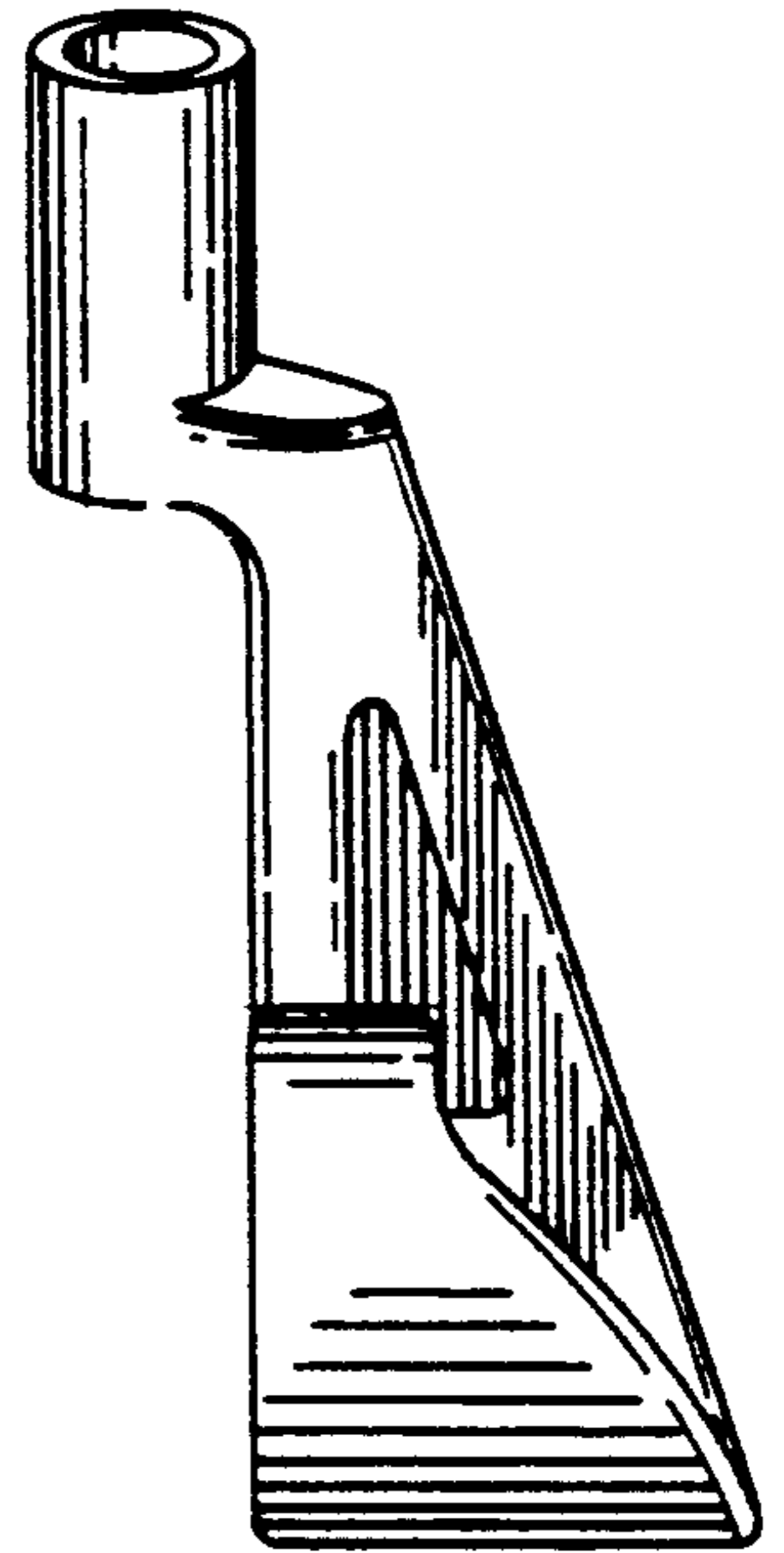


FIG. 6

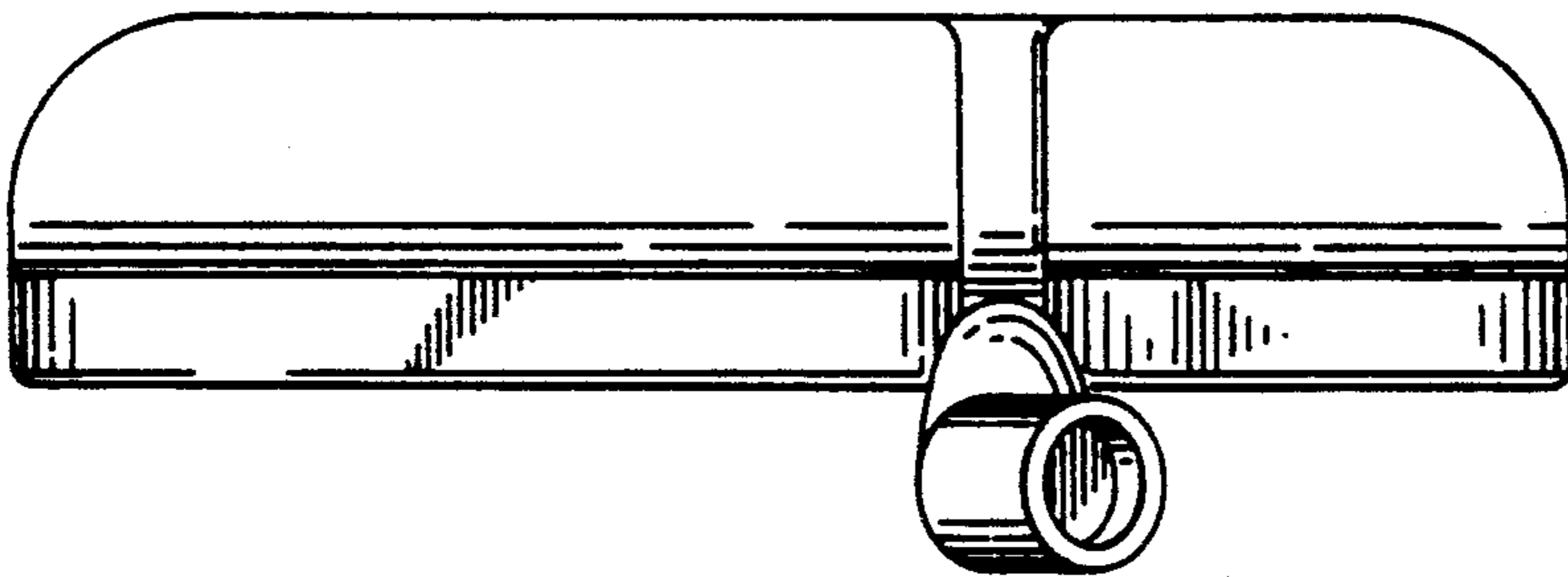


FIG. 7

