

United States Patent [19]
Rambacher

[11] **Patent Number: Des. 322,106**
 [45] **Date of Patent: ** Dec. 3, 1991**

[54] **FOOTBALL KICKING TEE**
 [76] **Inventor: Martin K. Rambacher, Maple Grove Rd., Bemus Point, N.Y. 14712**
 [**] **Term: 14 Years**
 [21] **Appl. No.: 356,935**
 [22] **Filed: May 25, 1989**
 [52] **U.S. Cl. D21/209**
 [58] **Field of Search D21/209, 208; 273/55 B; D6/498**

4,460,173 7/1984 Dumas 273/55 B
 4,477,077 10/1984 Ferrebee 273/55 B
 4,546,974 10/1985 Brown 273/55 B
 4,632,395 12/1986 Ferrebee 273/55 B
 4,634,122 1/1987 Kline 273/55 B

Primary Examiner—Bernard Ansher
Assistant Examiner—Lucy Lieberman
Attorney, Agent, or Firm—Mason, Fenwick & Lawrence

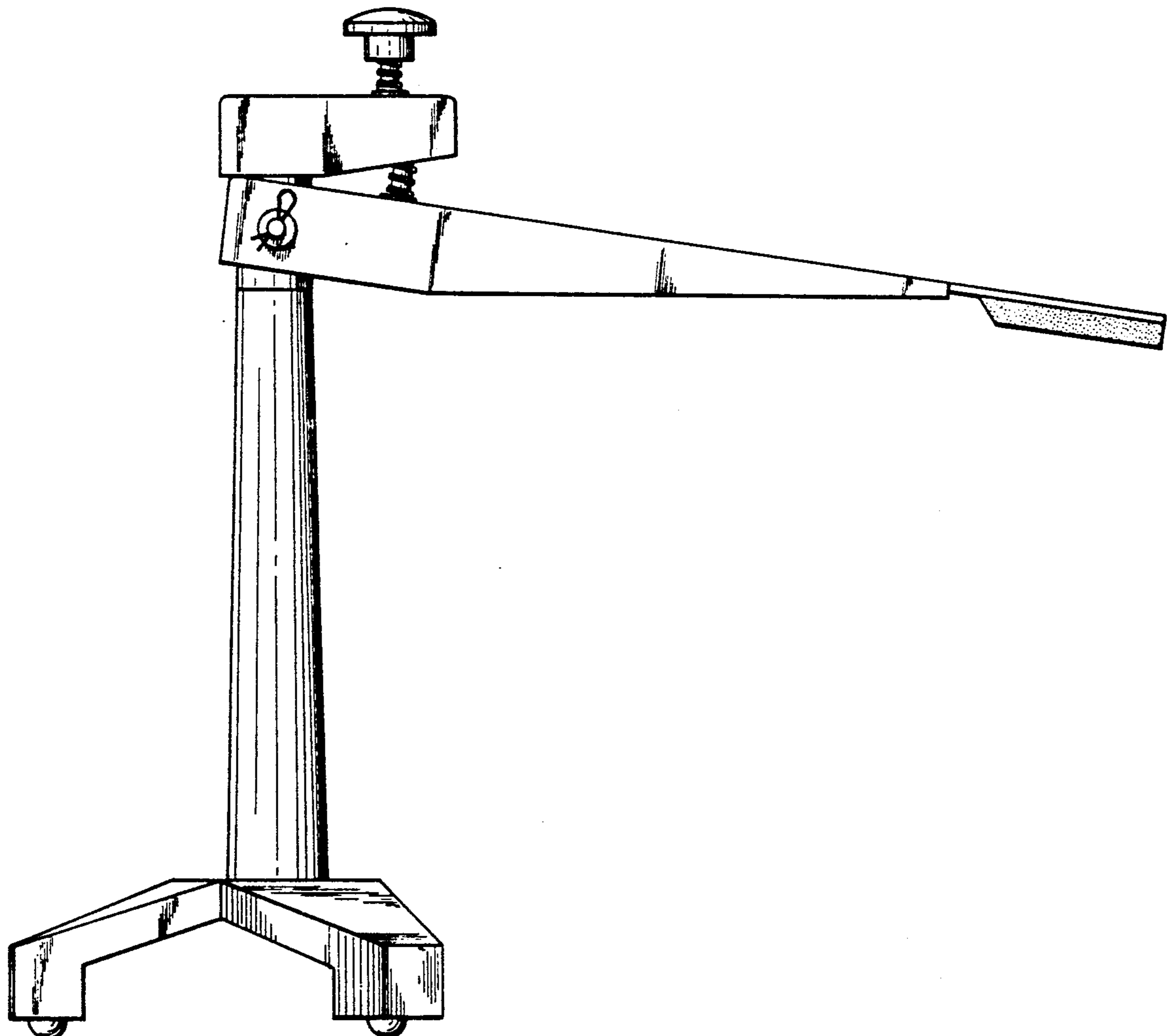
[57] **CLAIM**

The ornamental design for a football kicking tee, as shown and described.

[56] **References Cited**
U.S. PATENT DOCUMENTS
 D. 235,462 6/1975 Pennington D21/209
 D. 283,770 5/1986 Hanninen D6/498
 D. 299,154 12/1988 Kopp D21/209
 3,105,686 10/1963 Elsea 273/55 B
 3,762,706 10/1973 Cavett 273/55 B
 3,897,948 8/1975 Gerela 273/55 B

DESCRIPTION

FIG. 1 is a right side elevational view of a football kicking tee showing my new design;
 FIG. 2 is a front end elevational view thereof;
 FIG. 3 is a left side elevational view thereof;
 FIG. 4 is a rear end elevational view thereof;
 FIG. 5 is a top plan view thereof; and
 FIG. 6 is a bottom plan view thereof.



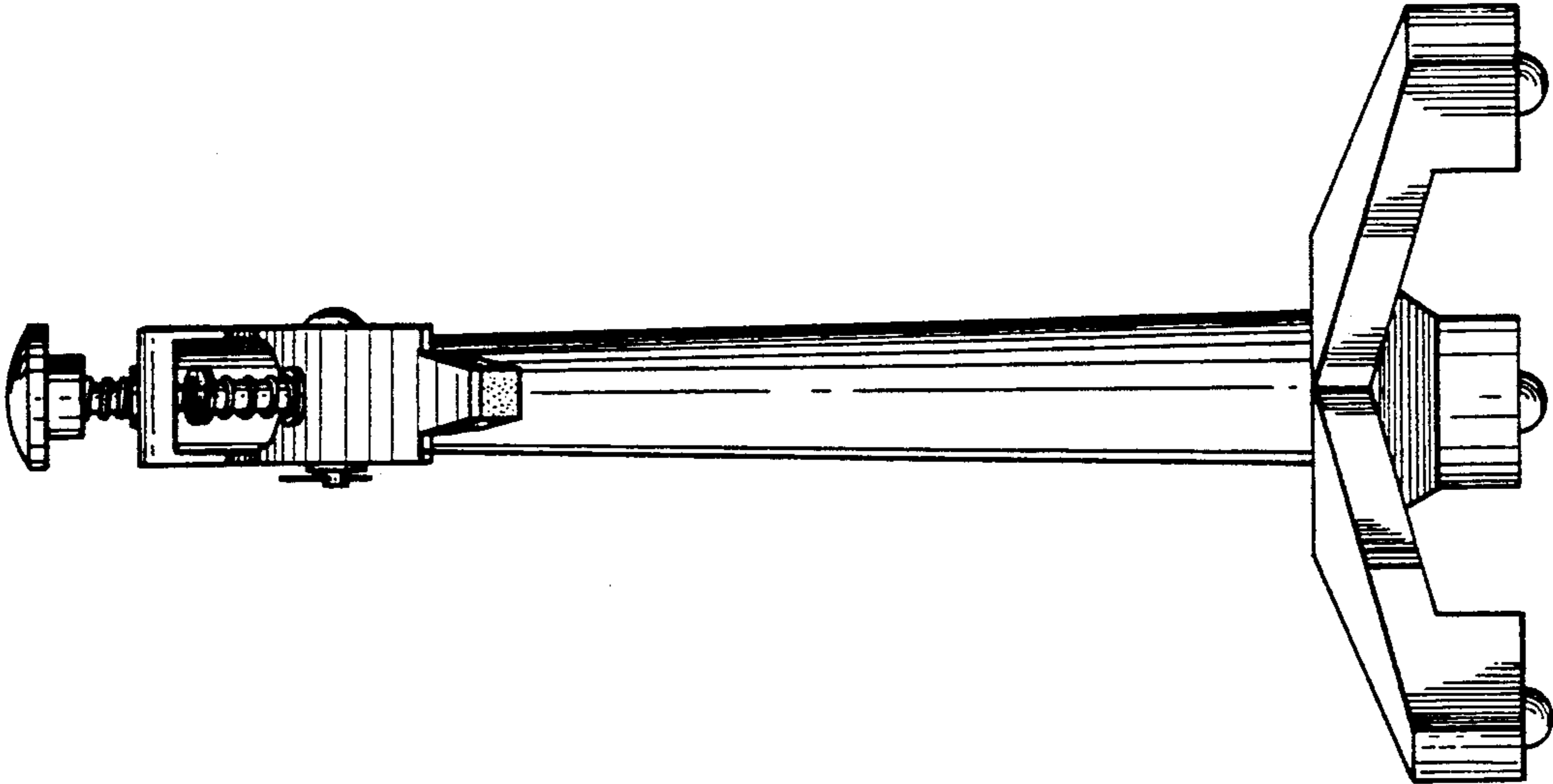


FIG. 2

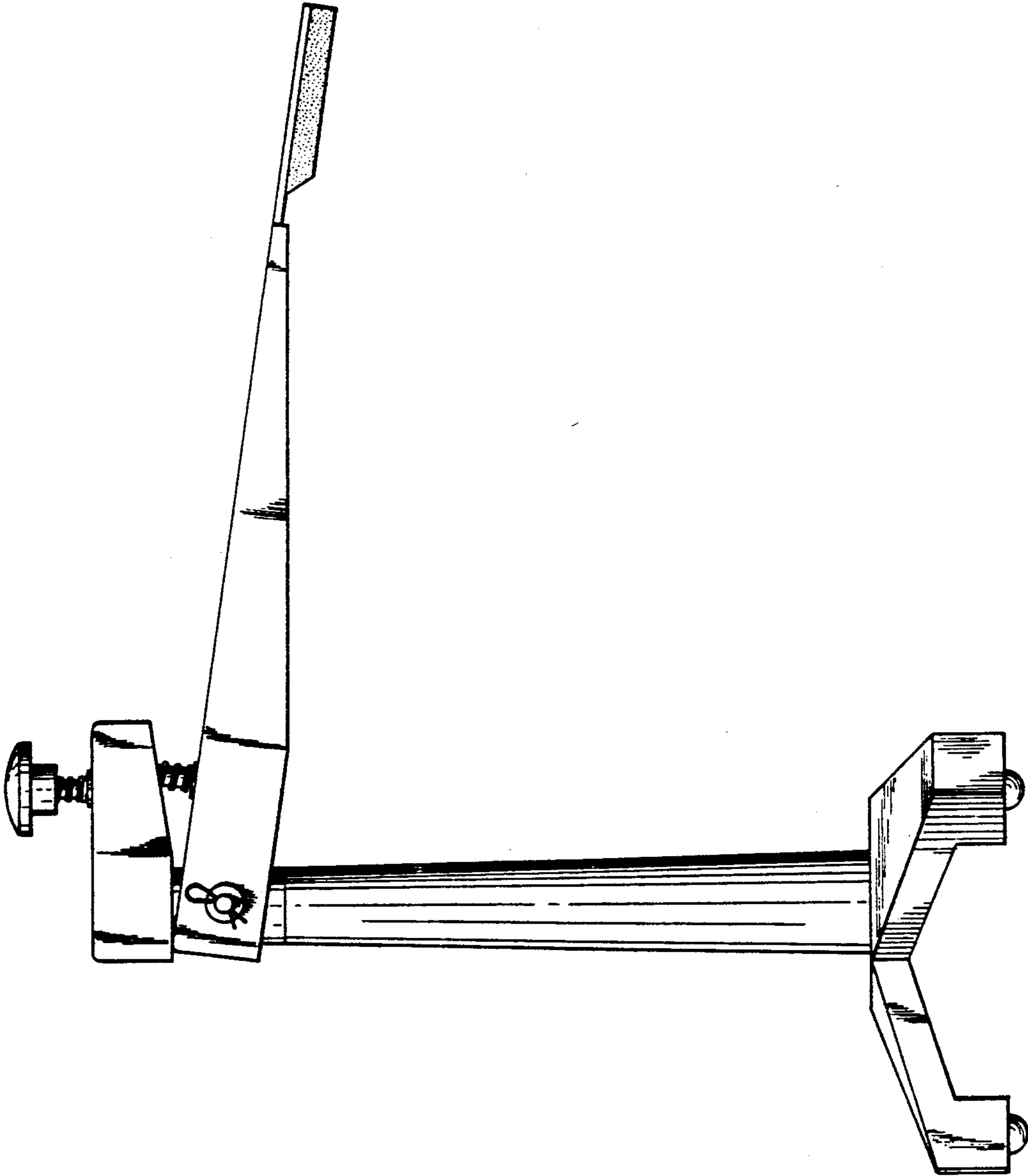


FIG. 1

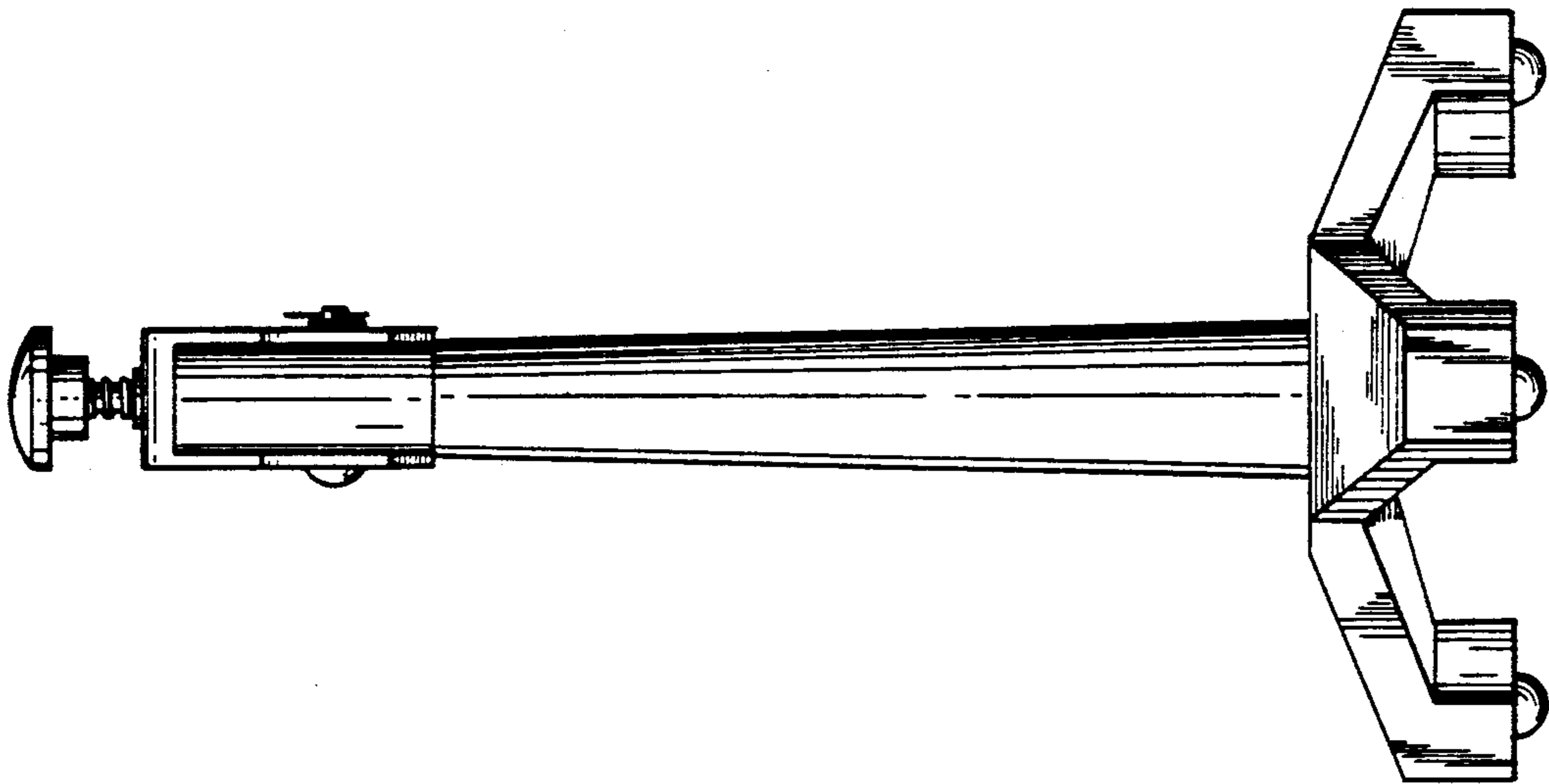


FIG. 4

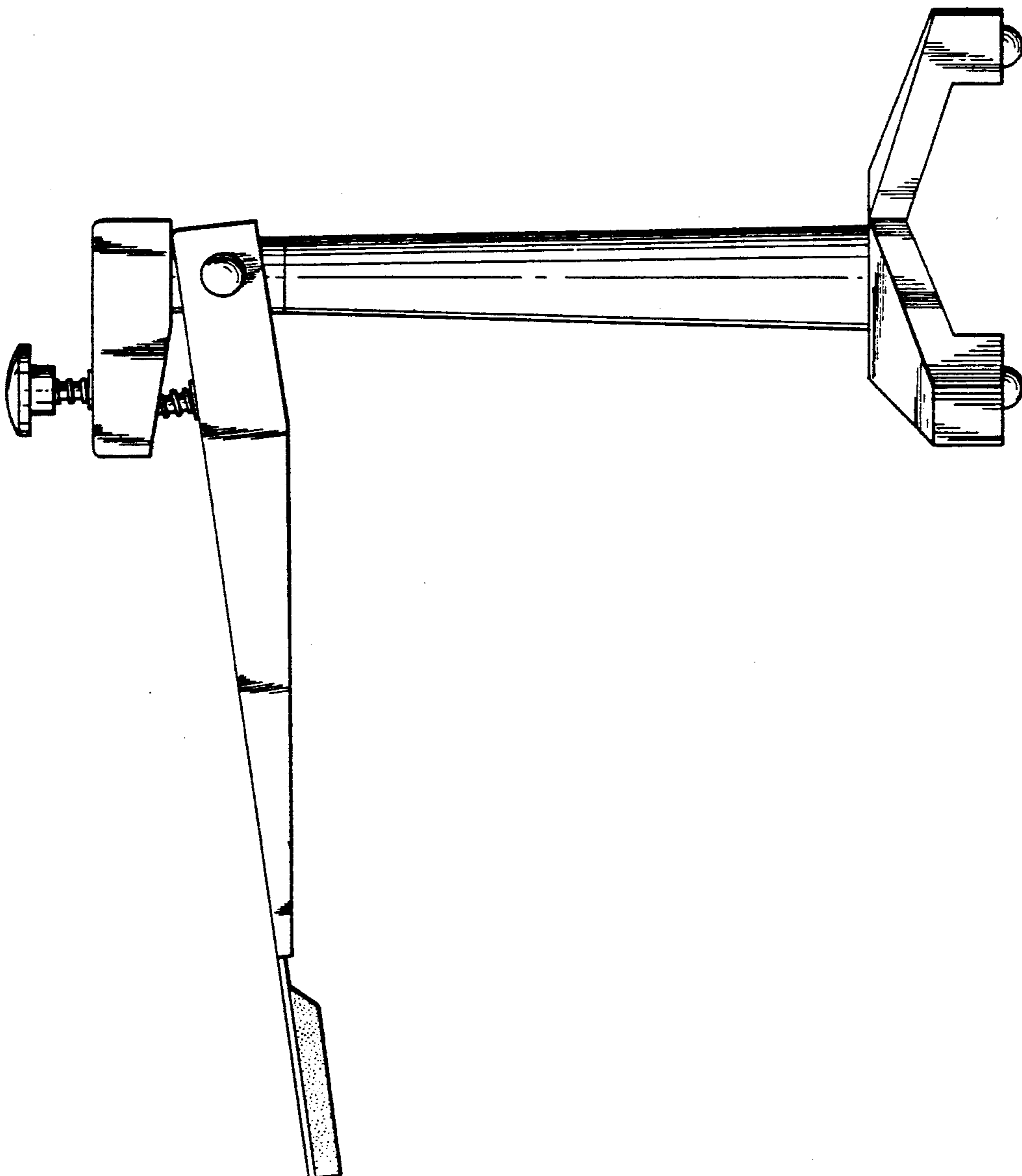


FIG. 3

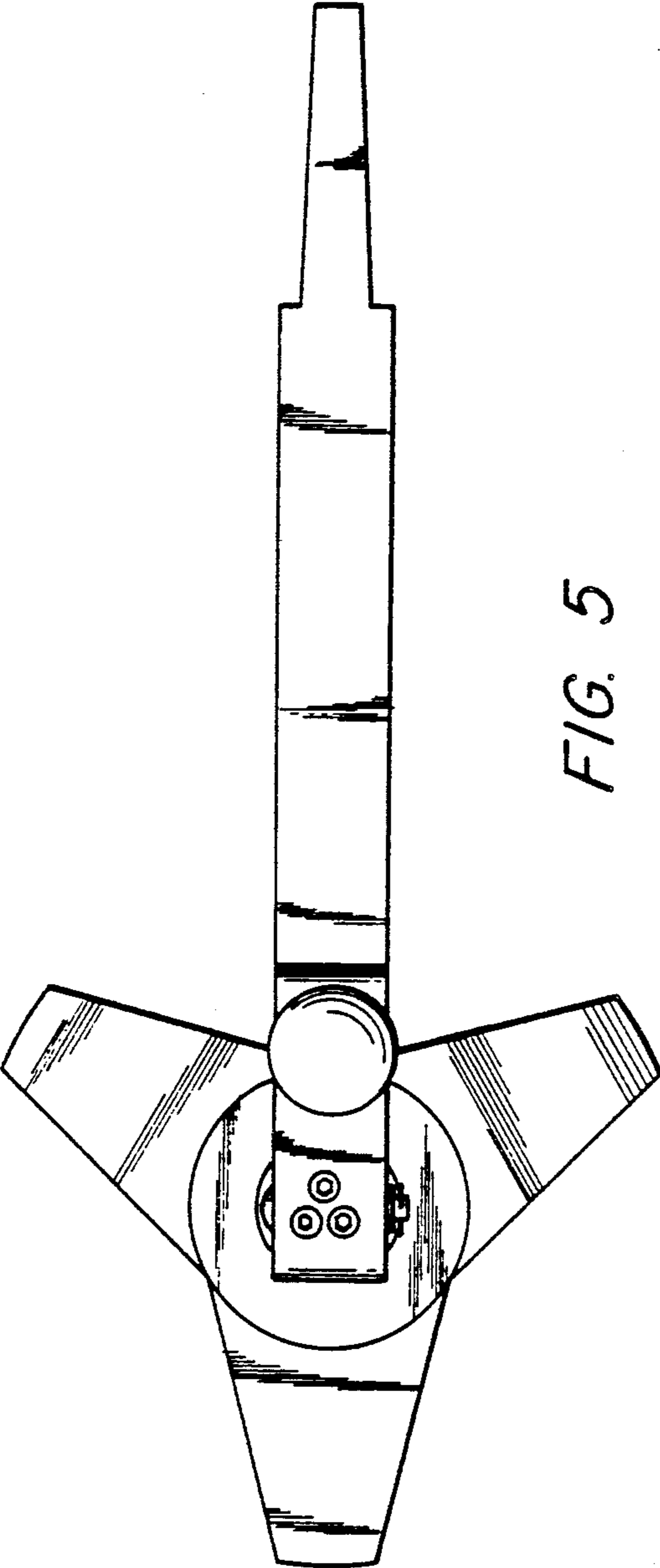


FIG. 5

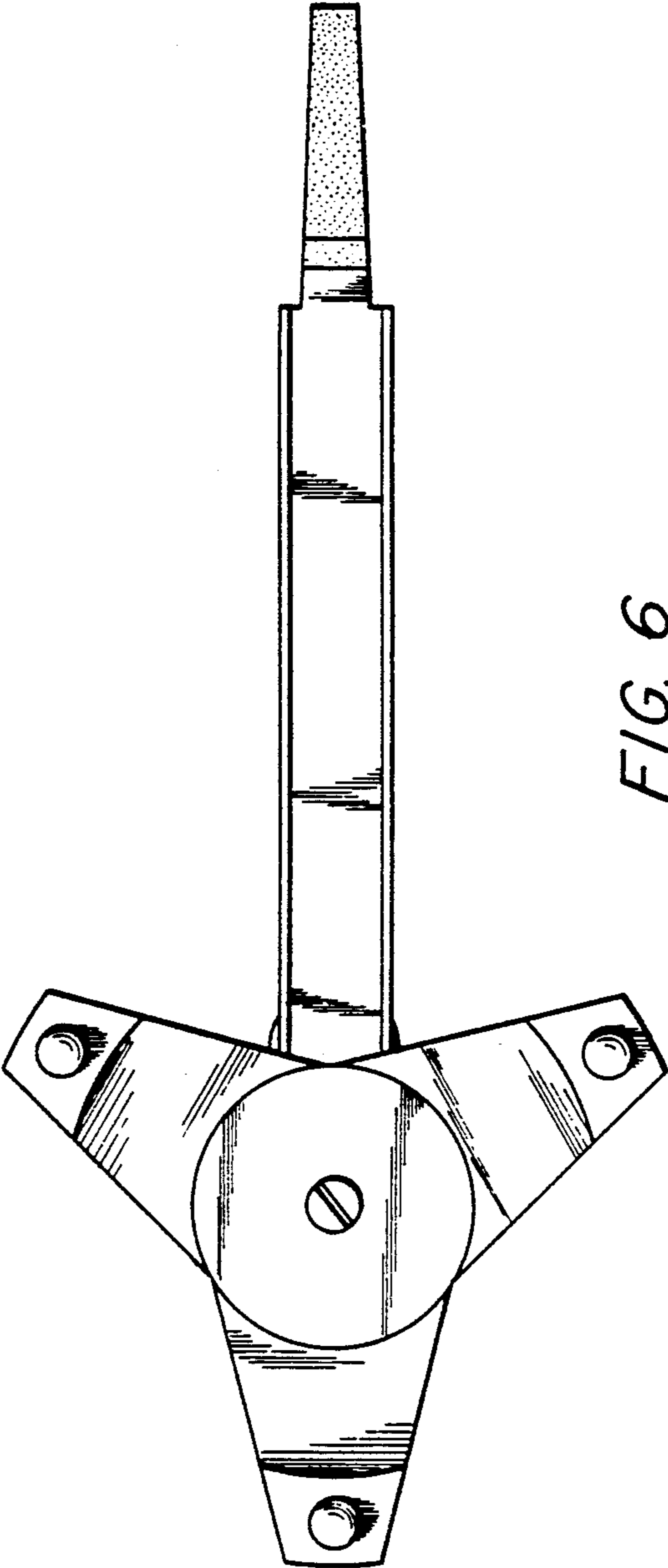


FIG. 6