

[54] TOY BACK HOE

[76] Inventor: Gerald Mast, 7749 S. Sconce Rd., Canby, Oreg. 97013

[**] Term: 14 Years

[21] Appl. No.: 409,872

[22] Filed: Sep. 20, 1989

[52] U.S. Cl. D21/71; D21/124

[58] Field of Search D21/59, 124, 109, 128; 446/424, 425, 426; 414/694, 915

[56] References Cited

U.S. PATENT DOCUMENTS

D. 276,355	11/1984	Sjöholm	D21/71
1,237,163	8/1917	Brockett	446/425
1,827,541	10/1931	Opperman	D21/132
2,523,093	9/1950	Byrne	446/425
3,176,862	4/1965	Walters et al.	446/425
4,224,007	9/1980	Chabot	446/425

OTHER PUBLICATIONS

Little Tikes Catalog, 1987, Little Tikes Company, Hudson, Ohio.

Active Play: The Digger, No. SWL-101L.

Primary Examiner—Charles A. Rademaker
Attorney, Agent, or Firm—Kolisch, Hartwell,
Dickinson, McCormack & Heuser

[57] CLAIM

The ornamental design for a toy back hoe, as shown and described.

DESCRIPTION

FIG. 1 is a top plan view of a toy back hoe showing my new design;

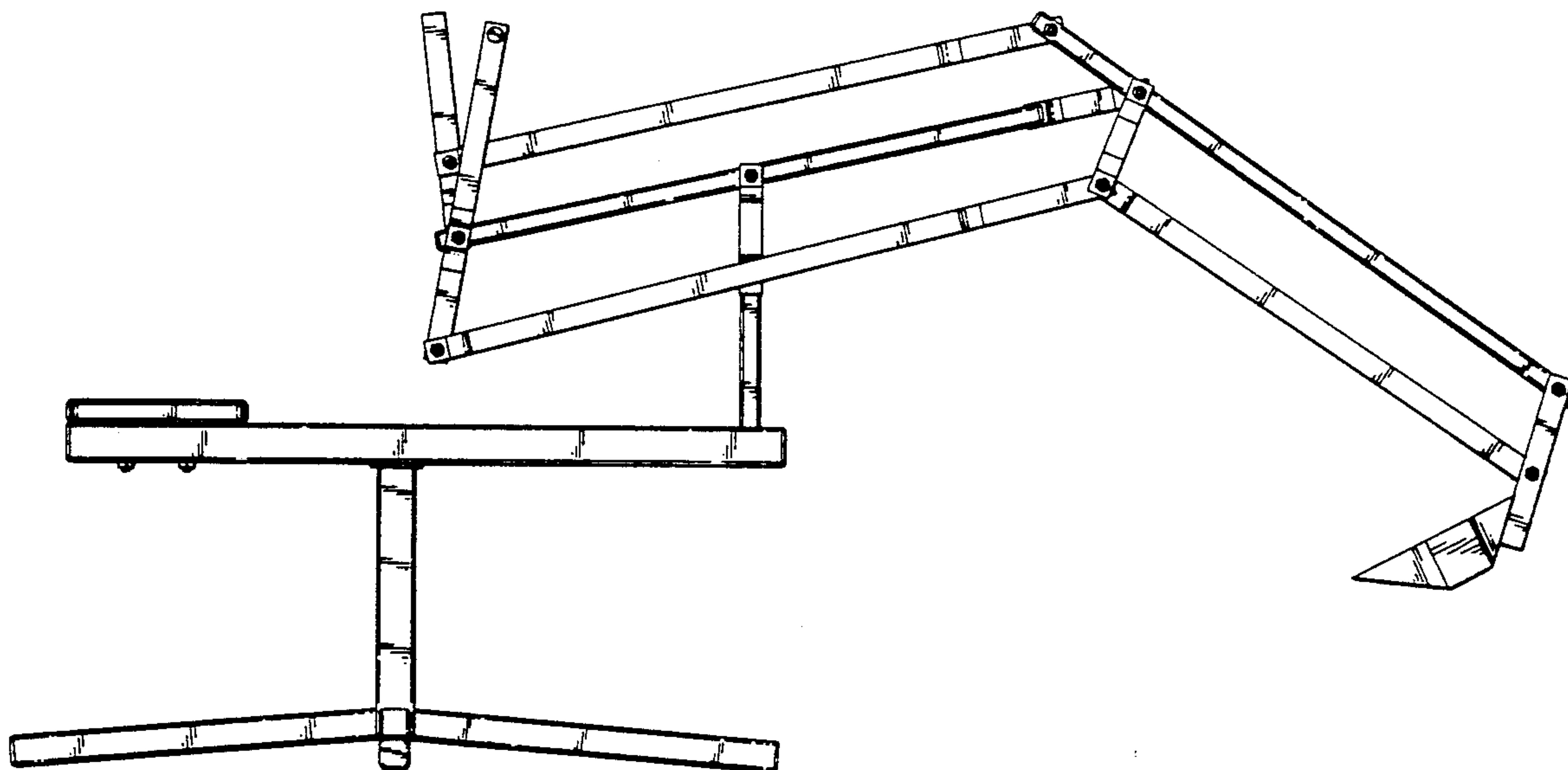
FIG. 2 is a right side elevational view thereof;

FIG. 3 is a left side elevational view thereof;

FIG. 4 is a front elevational view thereof;

FIG. 5 is a rear elevational view thereof; and

FIG. 6 is a bottom plan view thereof.



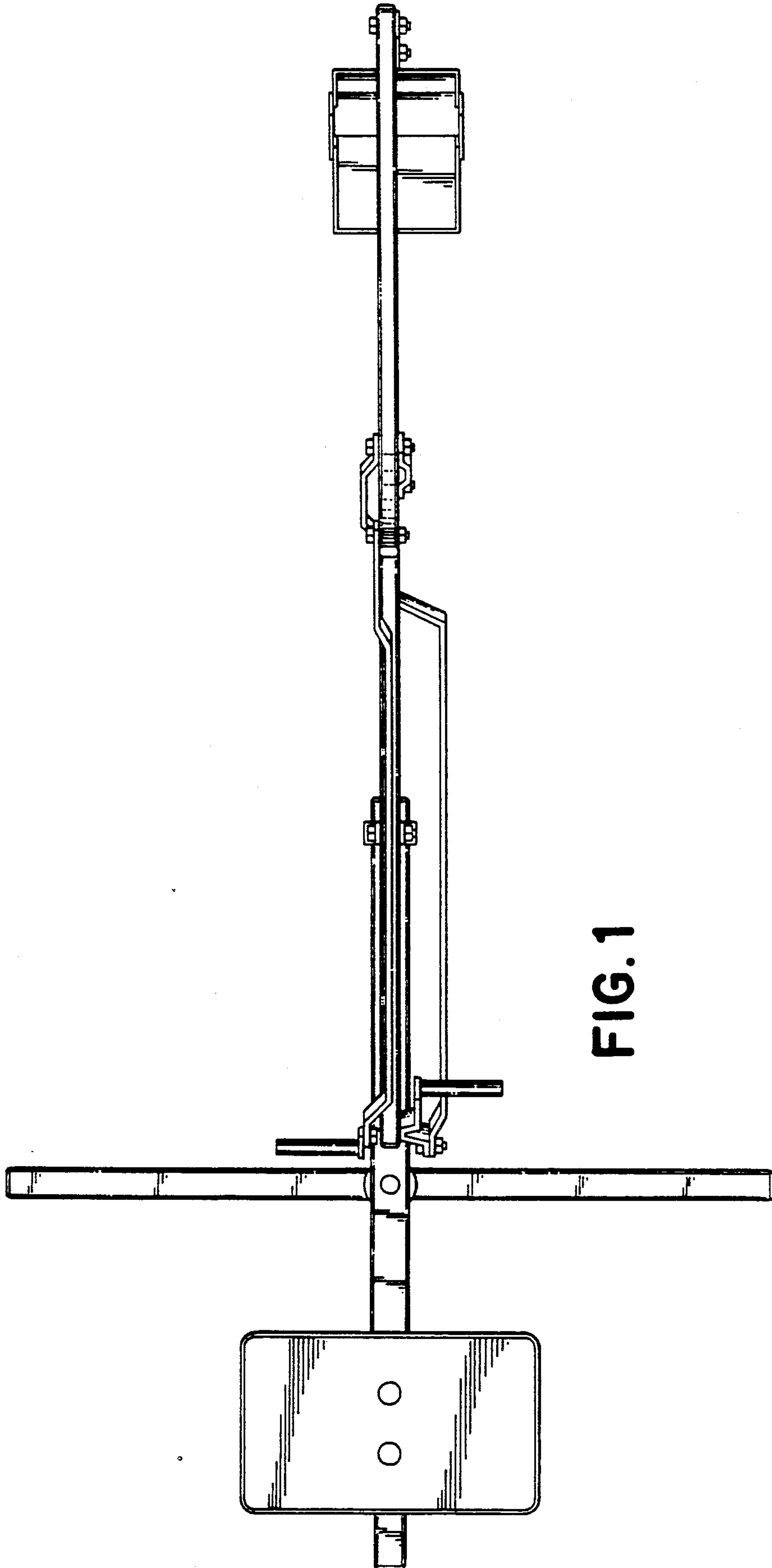


FIG. 1

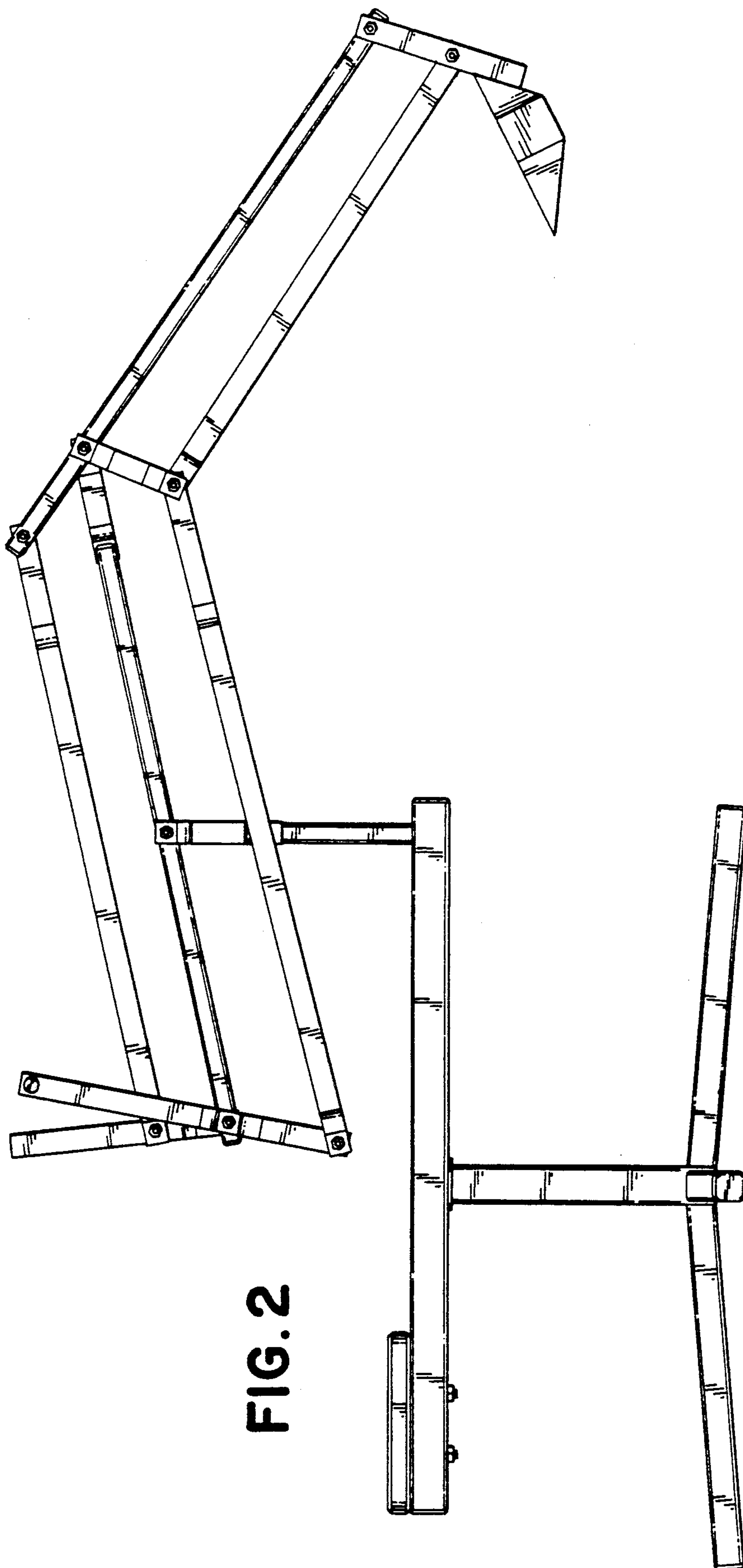
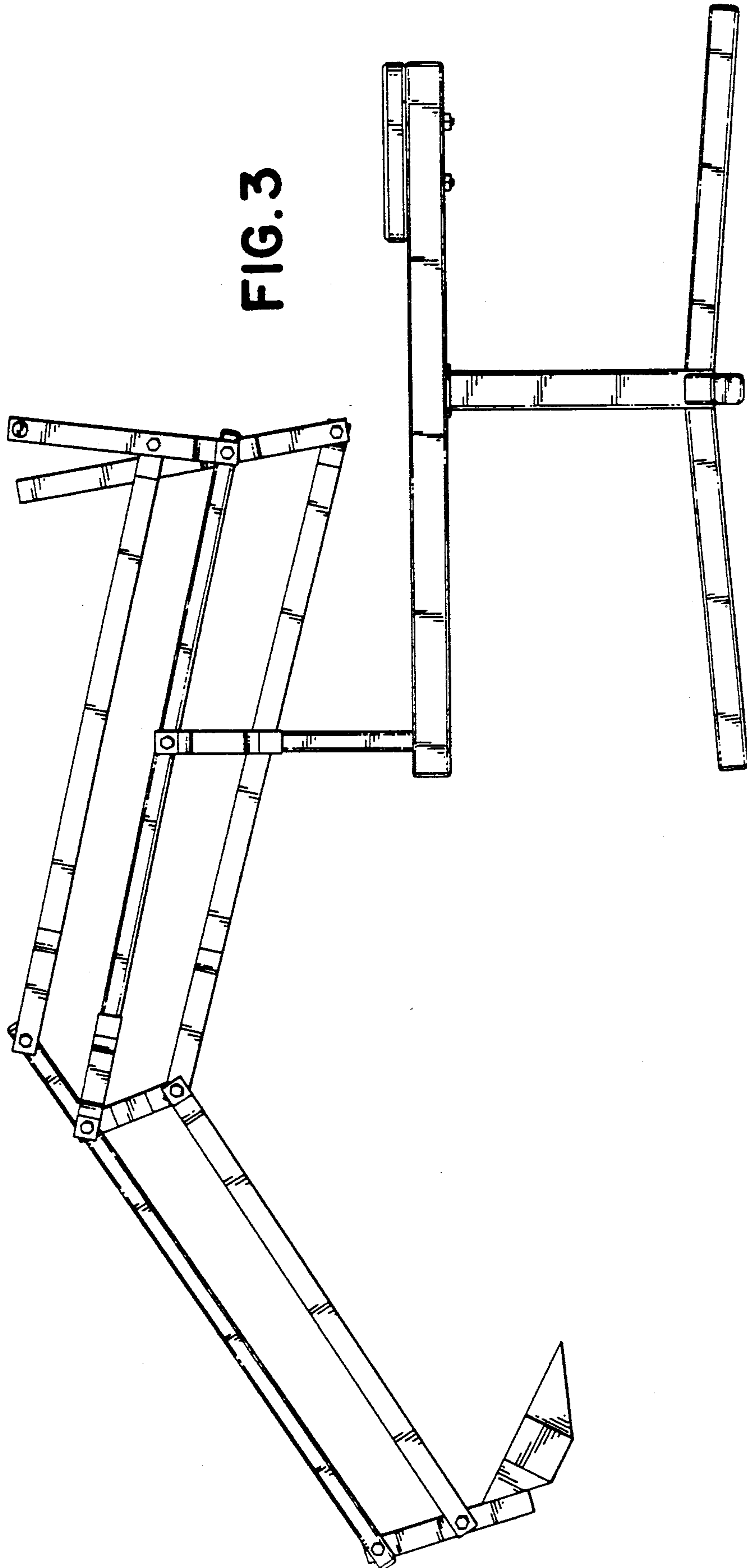
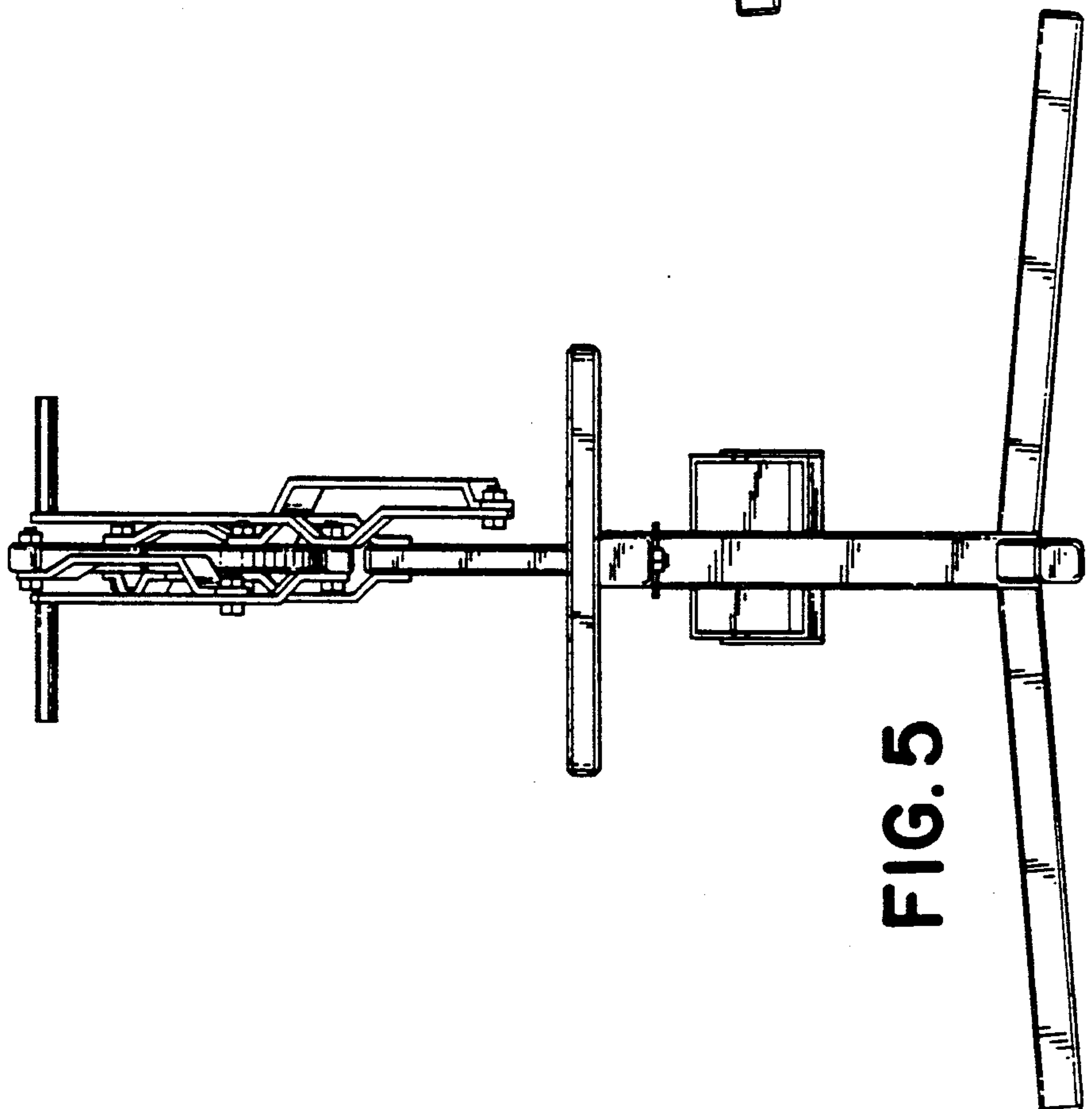
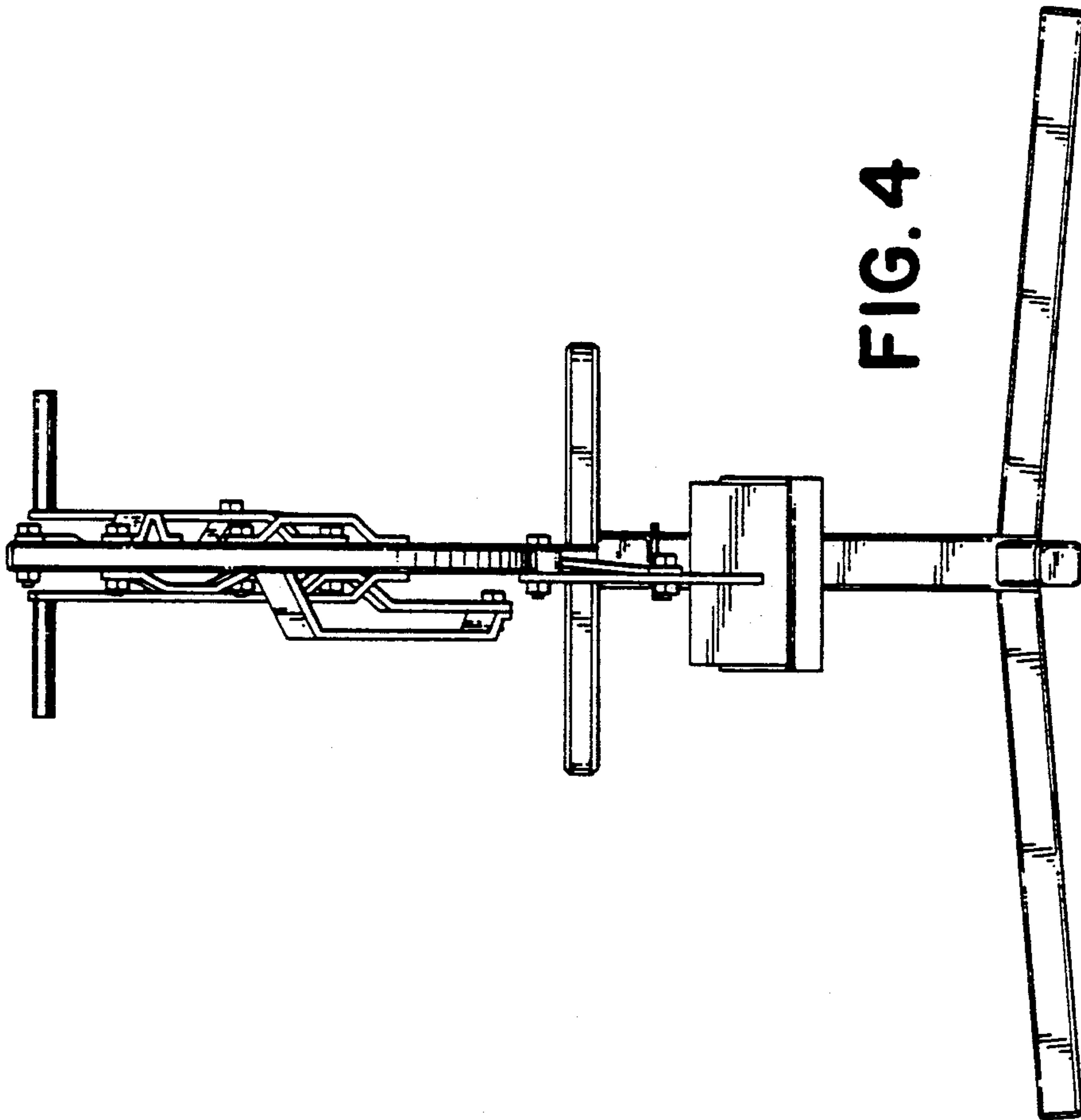


FIG. 2

FIG. 3





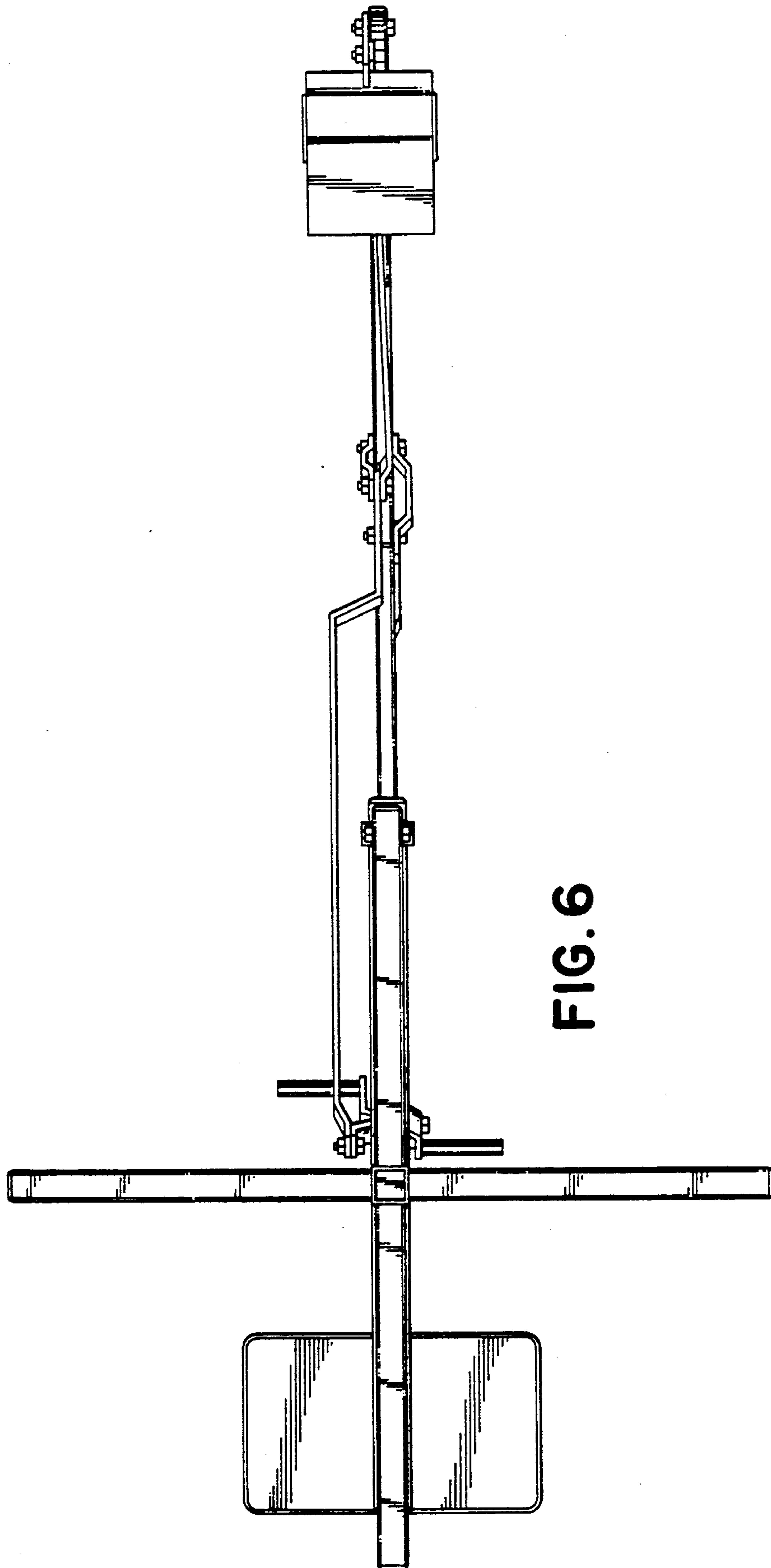


FIG. 6