

[54] BINDER

[75] Inventors: Satoshi Mizutani; Nakada Hiroaki, both of Tokyo, Japan

[73] Assignee: King Jim Co., Ltd., Tokyo, Japan

[**] Term: 14 Years

[21] Appl. No.: 403,807

[22] Filed: Sep. 7, 1989

[52] U.S. Cl. D19/32

[58] Field of Search D19/26, 27, 32; 402/63, 402/48, 52, 51, 80 R, 79; 281/47, 21.1, 43, 50, 29, 45

[56] References Cited

U.S. PATENT DOCUMENTS

1,188,634	6/1916	Dunbar	402/51
1,208,724	12/1916	Averill	402/52
2,308,777	3/1941	Pitt	402/51 X
3,252,462	5/1966	Quarton et al.	D19/26 X
4,038,768	8/1977	Wilson et al.	281/29 X
4,113,394	9/1978	Giulie	D19/26 X
4,524,991	6/1985	Thomas	281/45 X

Primary Examiner—Wallace R. Burke

Assistant Examiner—Pam Schmidt

Attorney, Agent, or Firm—Wegner, Cantor, Mueller & Player

[57] CLAIM

The ornamental design for binder, as shown and described.

DESCRIPTION

FIG. 1 is a top perspective view of a binder showing our new design in an assembled condition; FIG. 2 is a top plan view thereof; FIG. 3 is a bottom plan view thereof; FIG. 4 is a left side elevational view thereof; FIG. 5 is a right side elevational view thereof; FIG. 6 is a front elevational view thereof, the undisclosed rear being a mirror image; FIG. 7 is a top perspective view of the binder cover thereof, shown separately for clarity of illustration; FIG. 8 is a top plan view; FIG. 9 is a bottom plan view thereof; FIG. 10 is a left side elevational view thereof; FIG. 11 is a right side elevational view thereof; FIG. 12 is a front elevational view thereof, the undisclosed rear being a mirror image; FIG. 13 is a top perspective view of the binder body thereof, shown separately for clarity of illustration; FIG. 14 is a top plan view thereof; FIG. 15 is a bottom plan view thereof; FIG. 16 is a left side elevational view thereof; FIG. 17 is a right side elevational view thereof; FIG. 18 is a front elevational view thereof, the undisclosed rear being a mirror image; and FIG. 19 is a top perspective view of FIG. 1 shown in use with a notebook, the broken lines being shown for illustrative purposes only and forming no part of the claimed design.

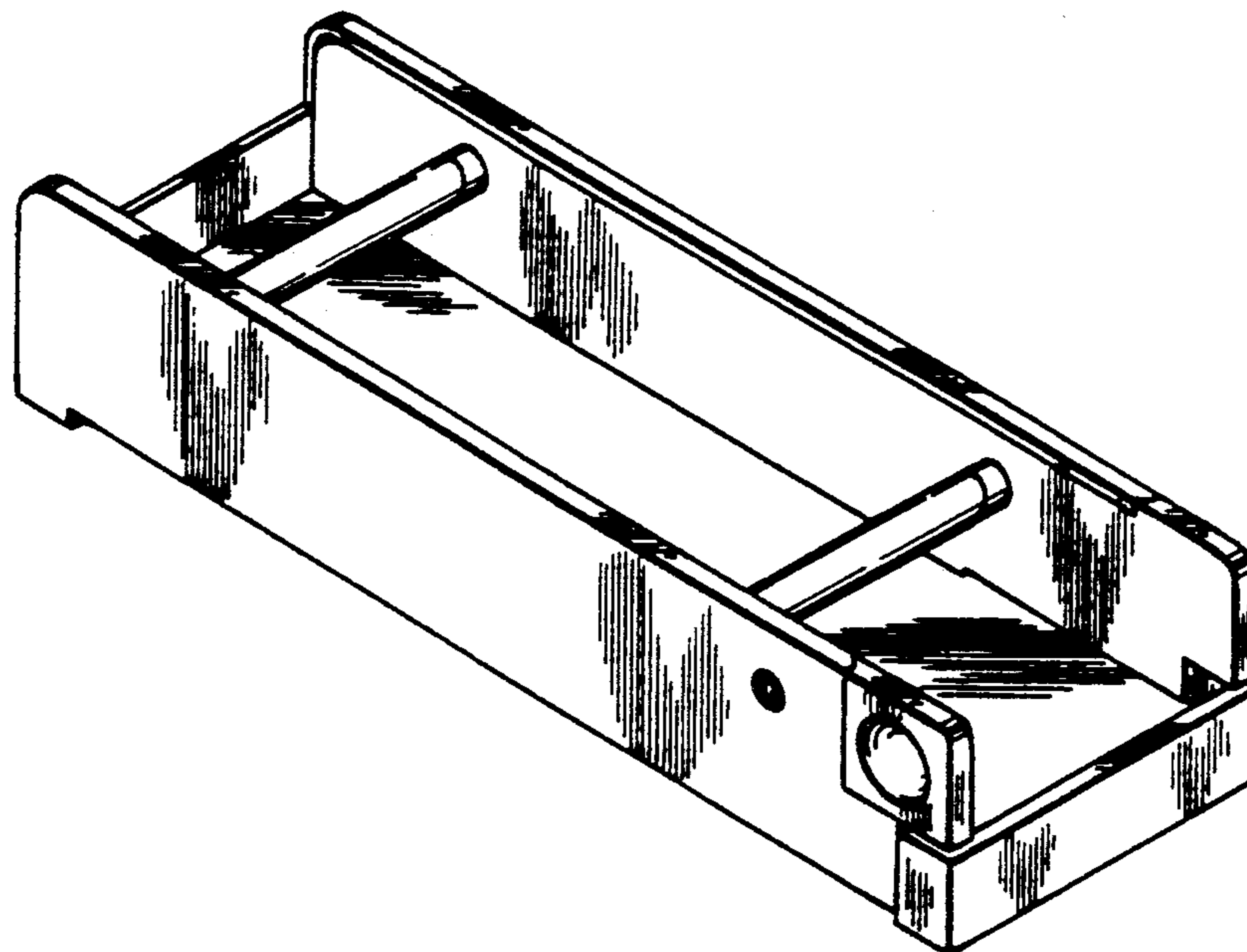


FIG. 4



FIG. 5

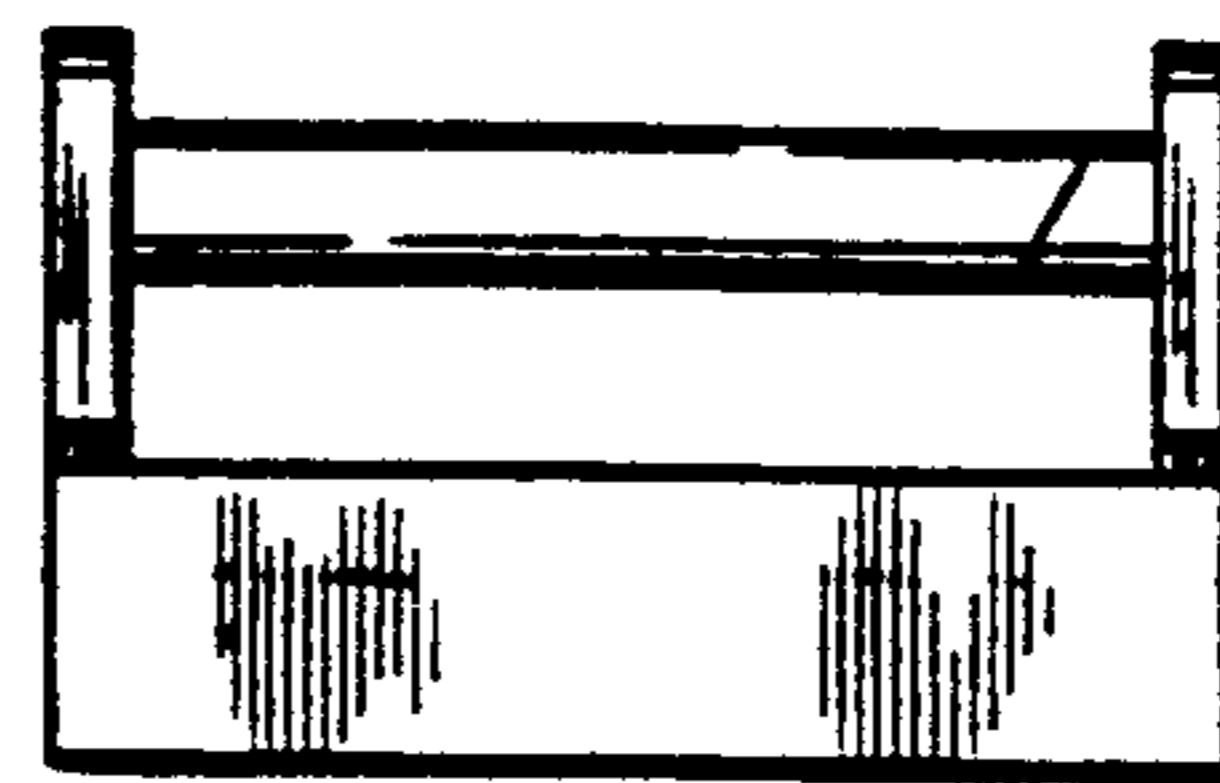


FIG. 1

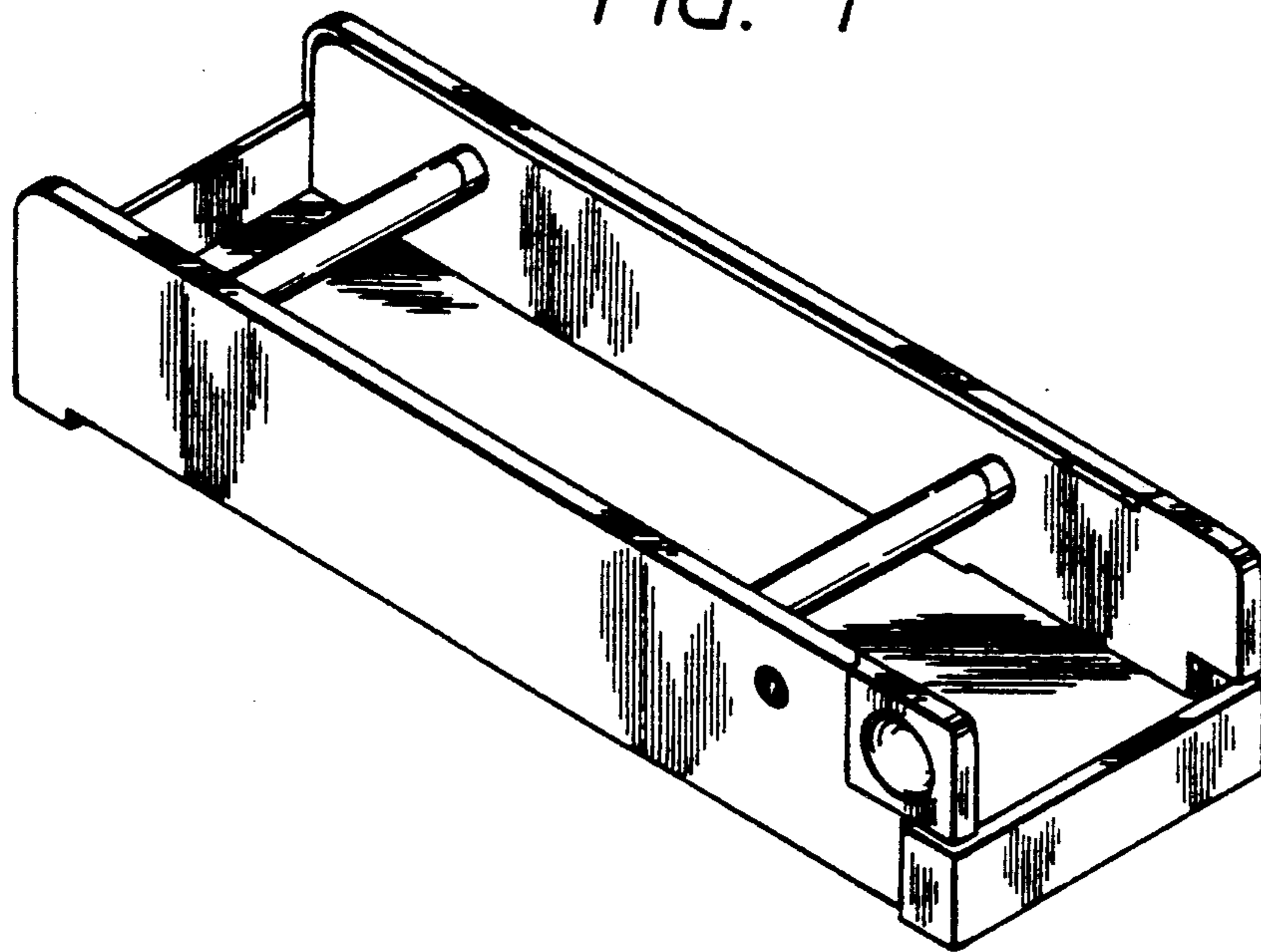


FIG. 6

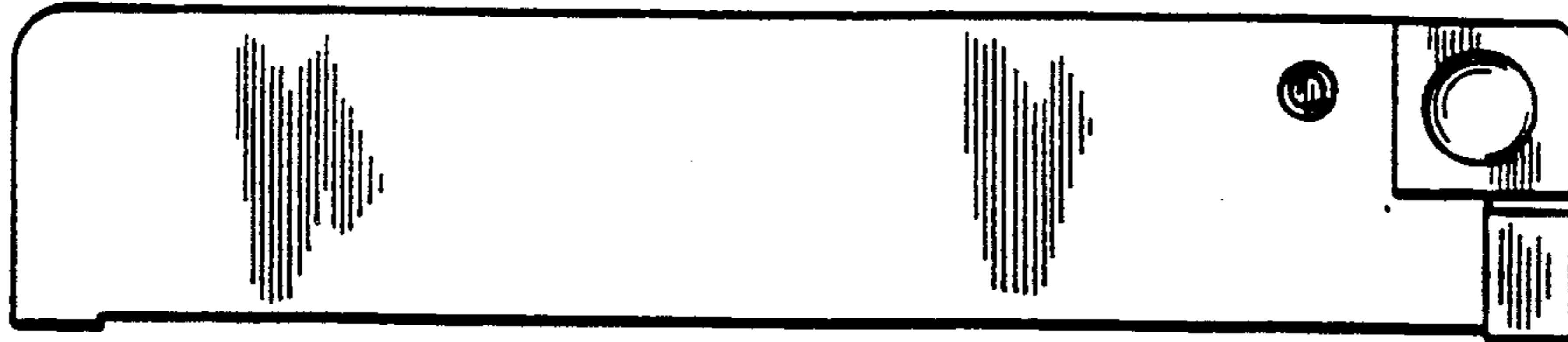


FIG. 2

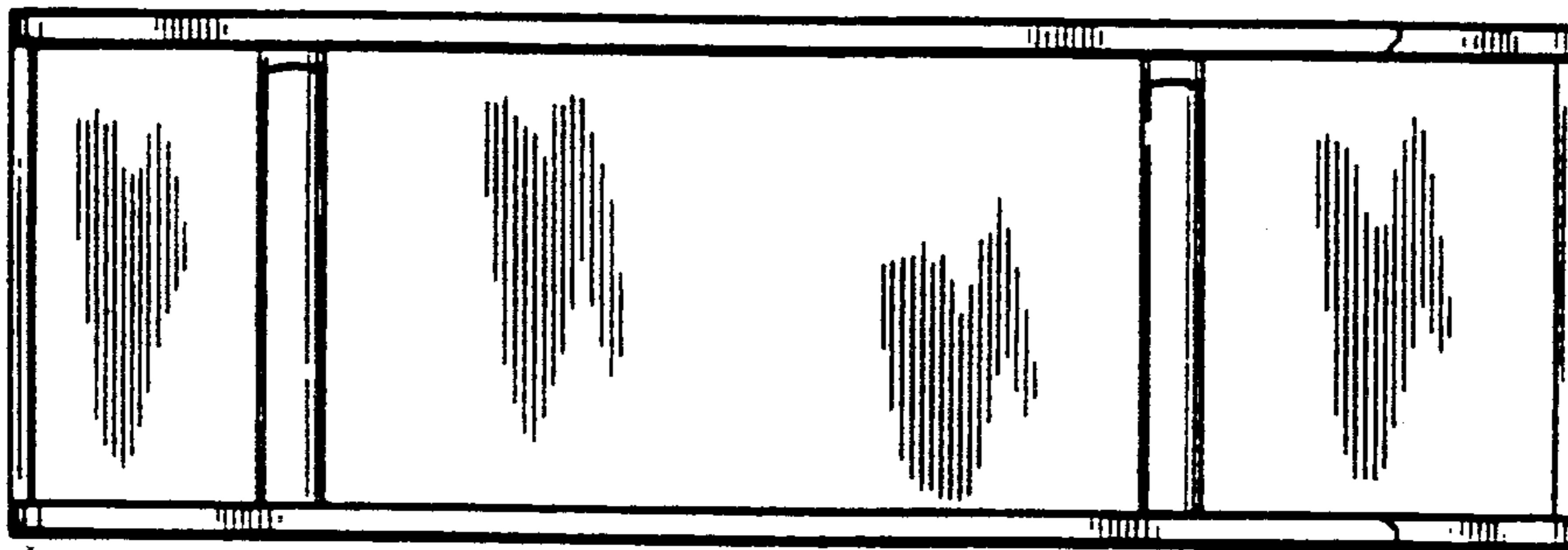


FIG. 3

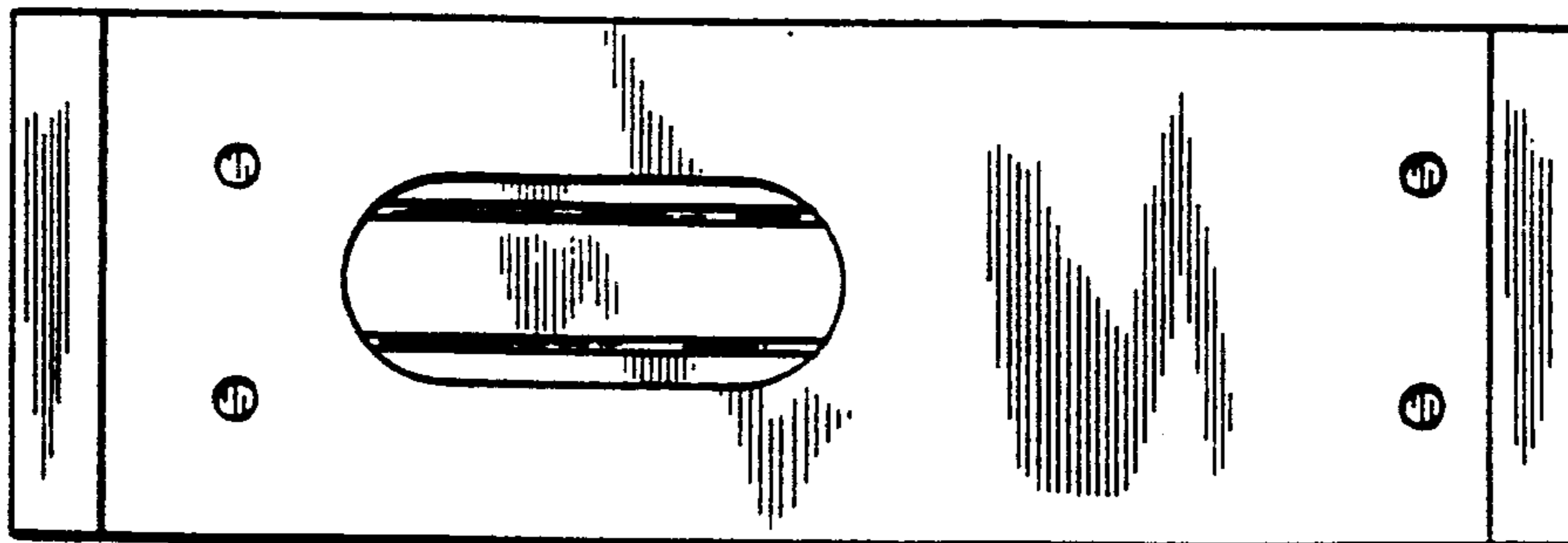


FIG. 10



FIG. 11

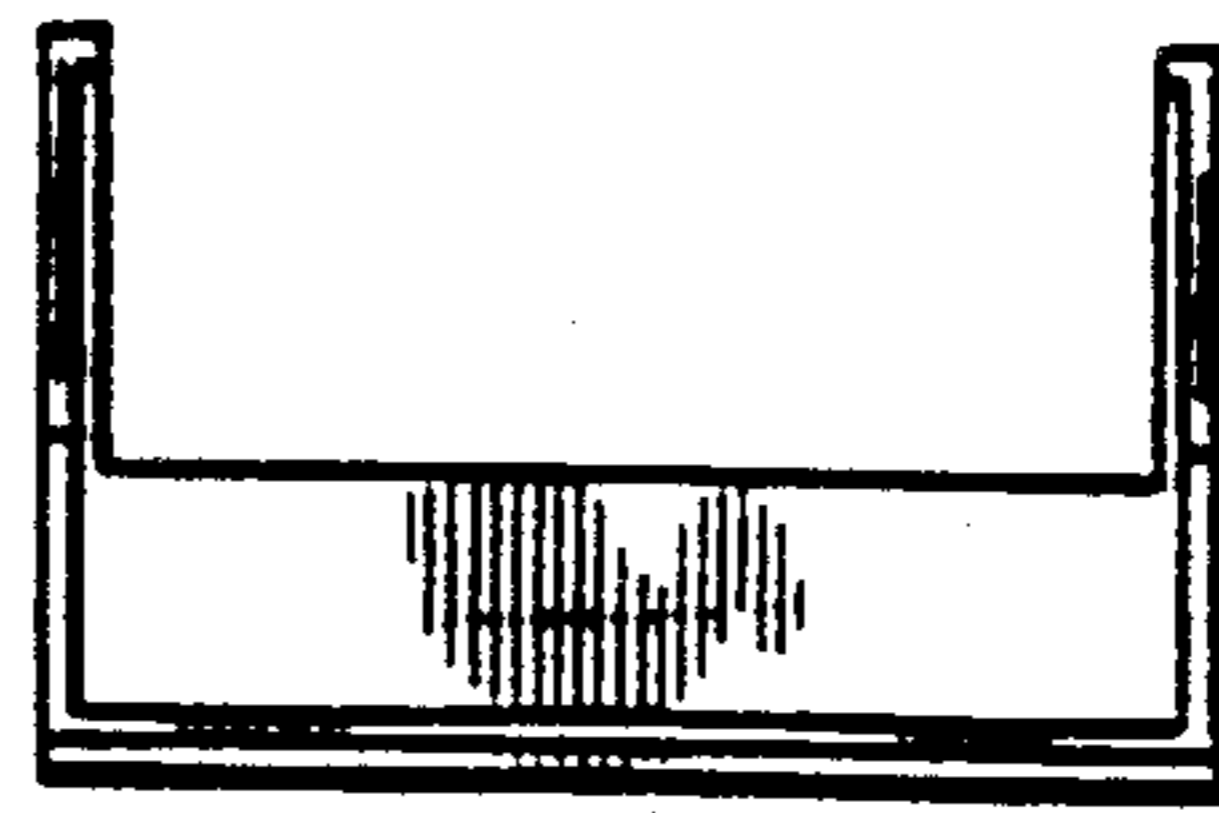


FIG. 7

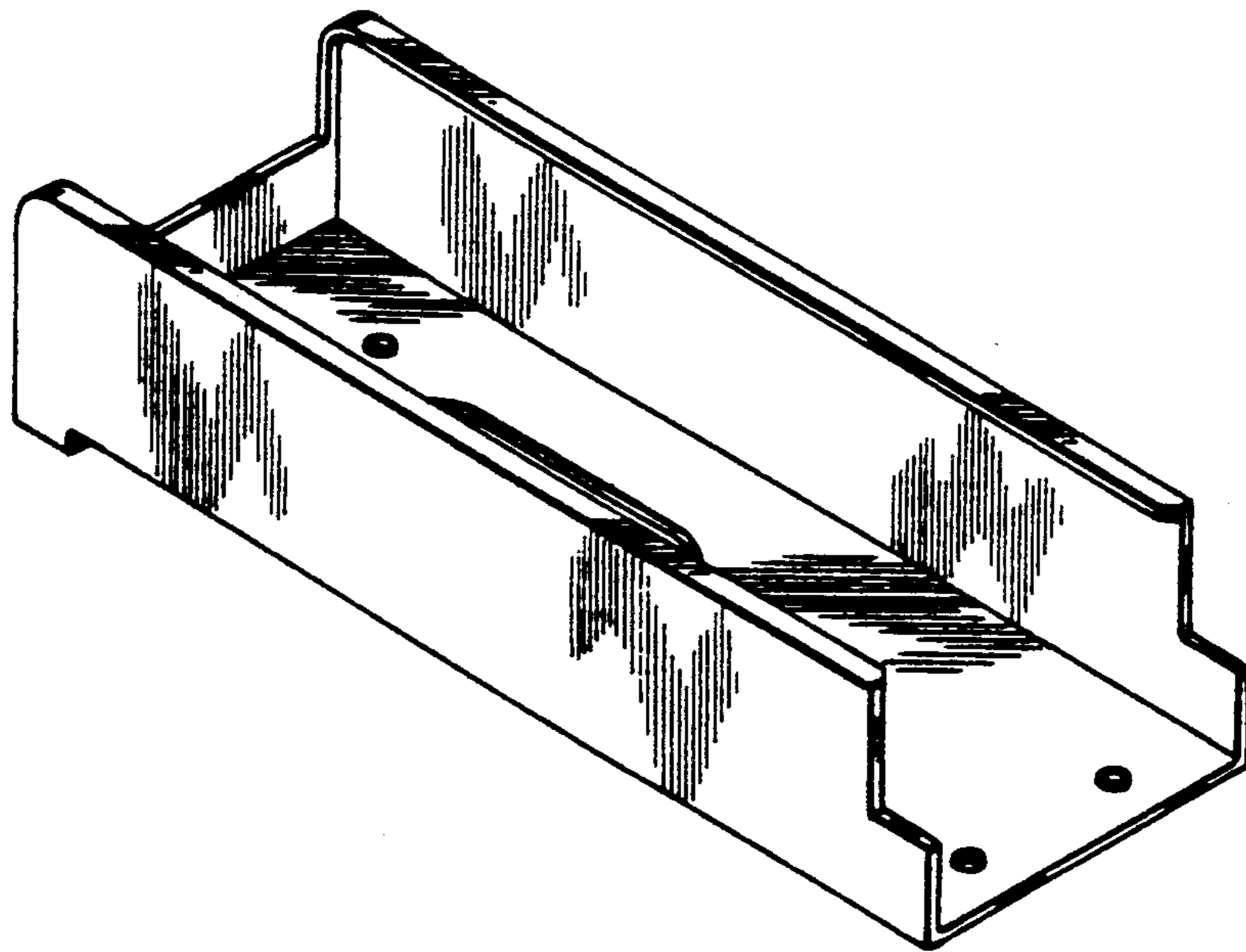


FIG. 12

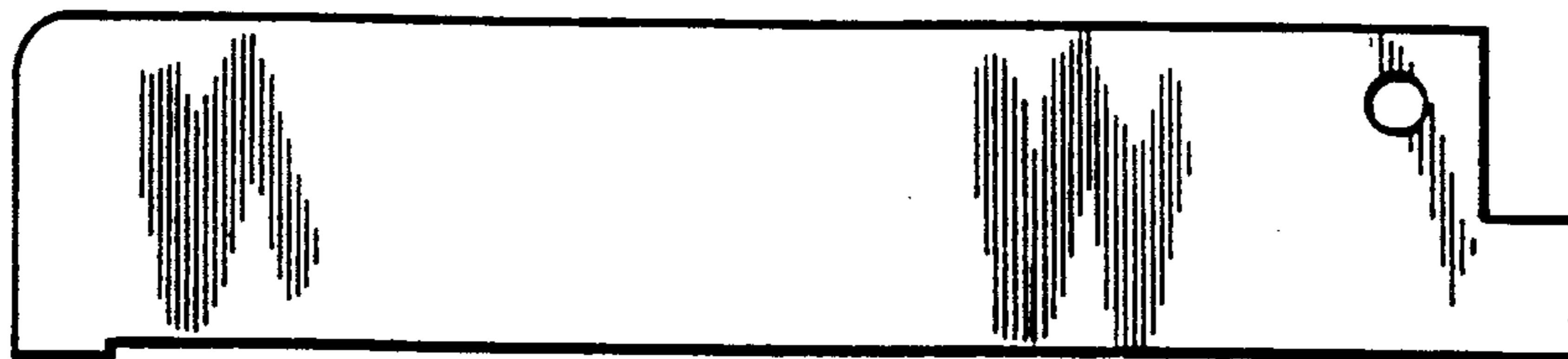


FIG. 8

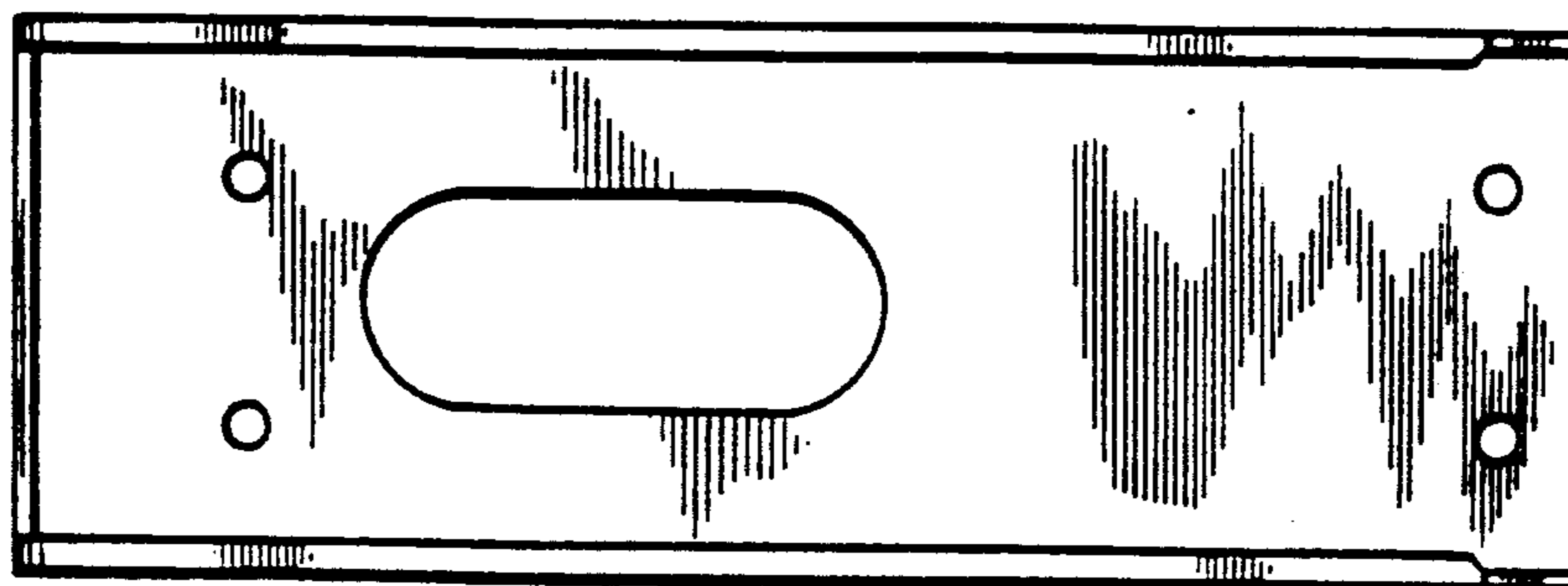


FIG. 9

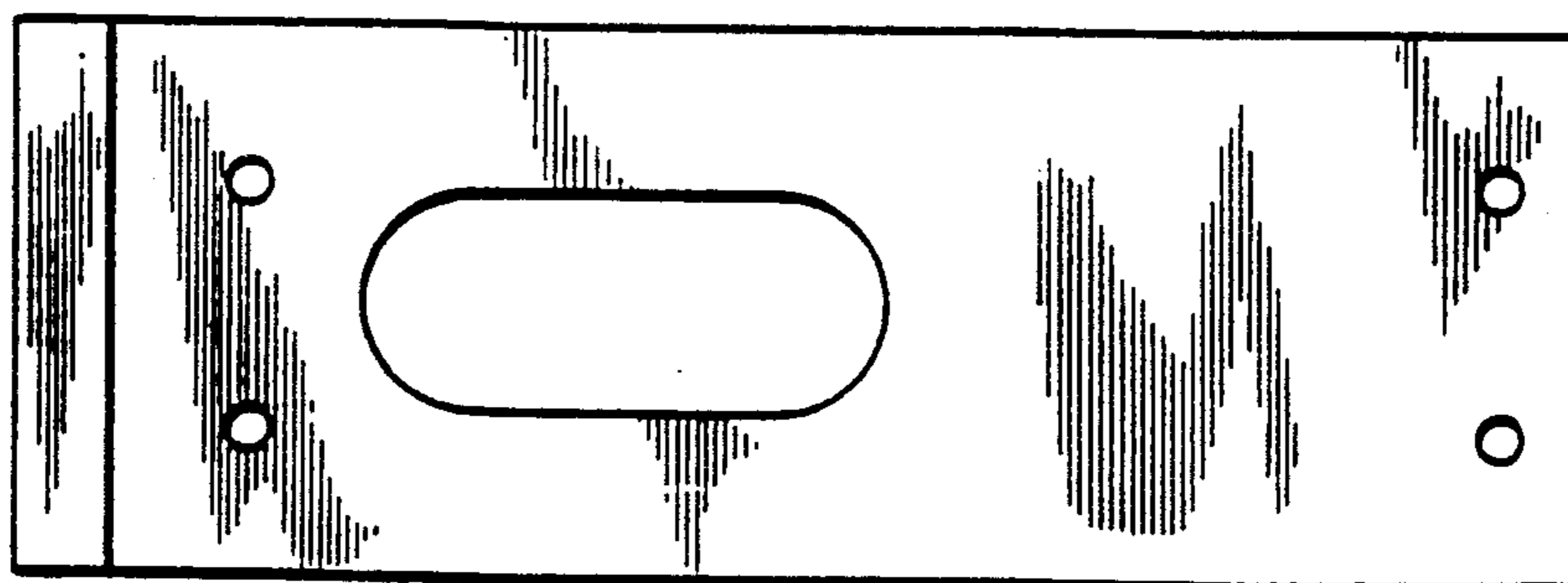


FIG. 16

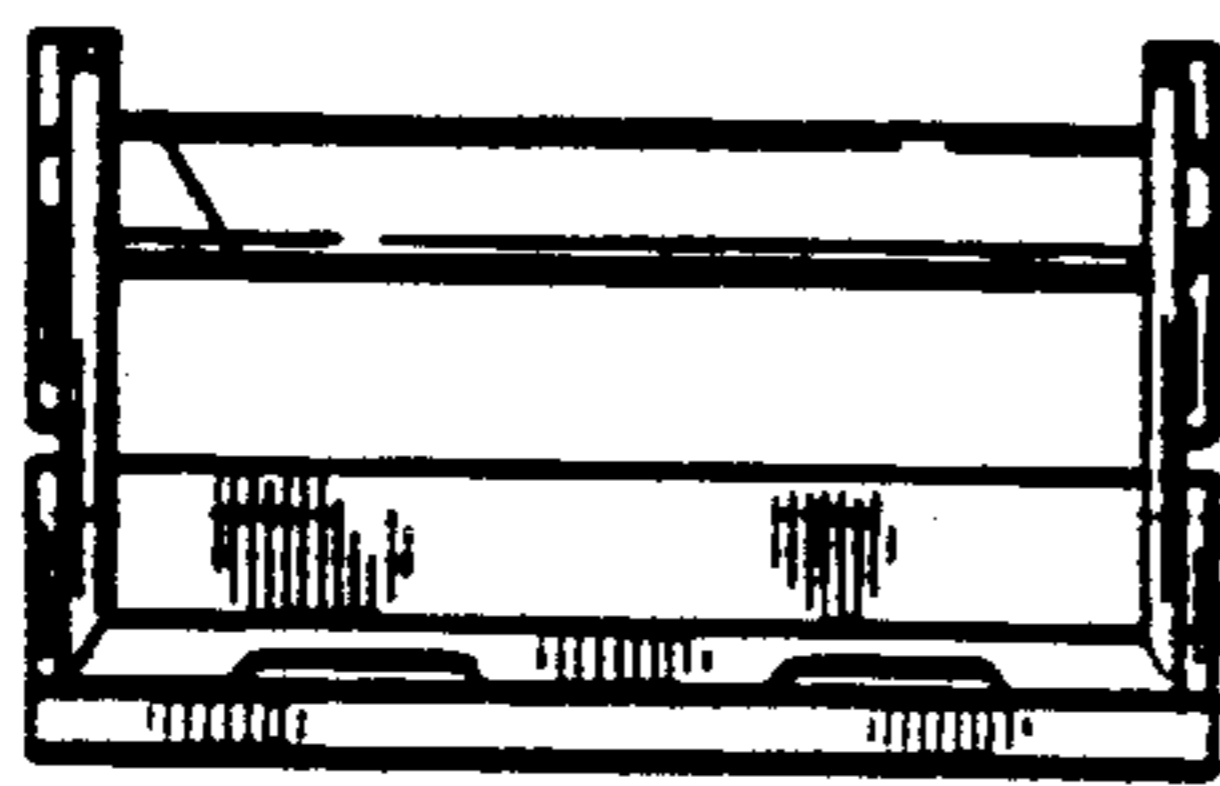


FIG. 17

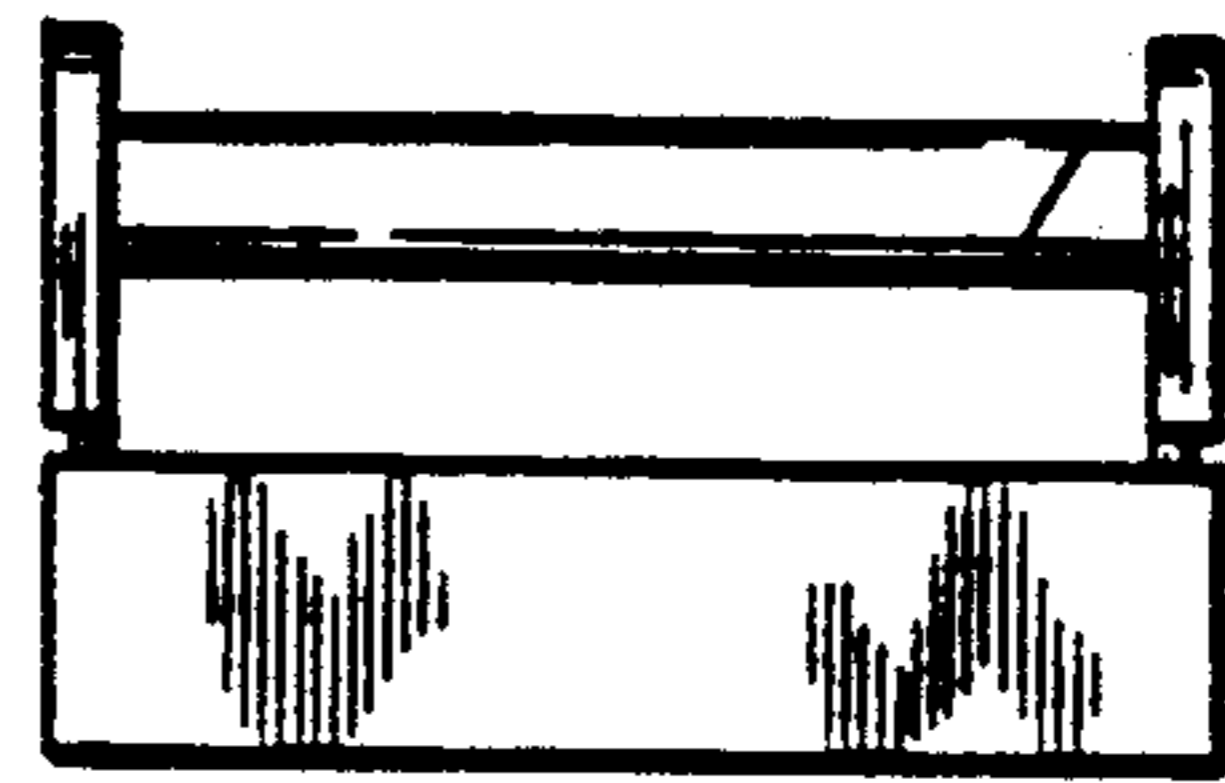


FIG. 13

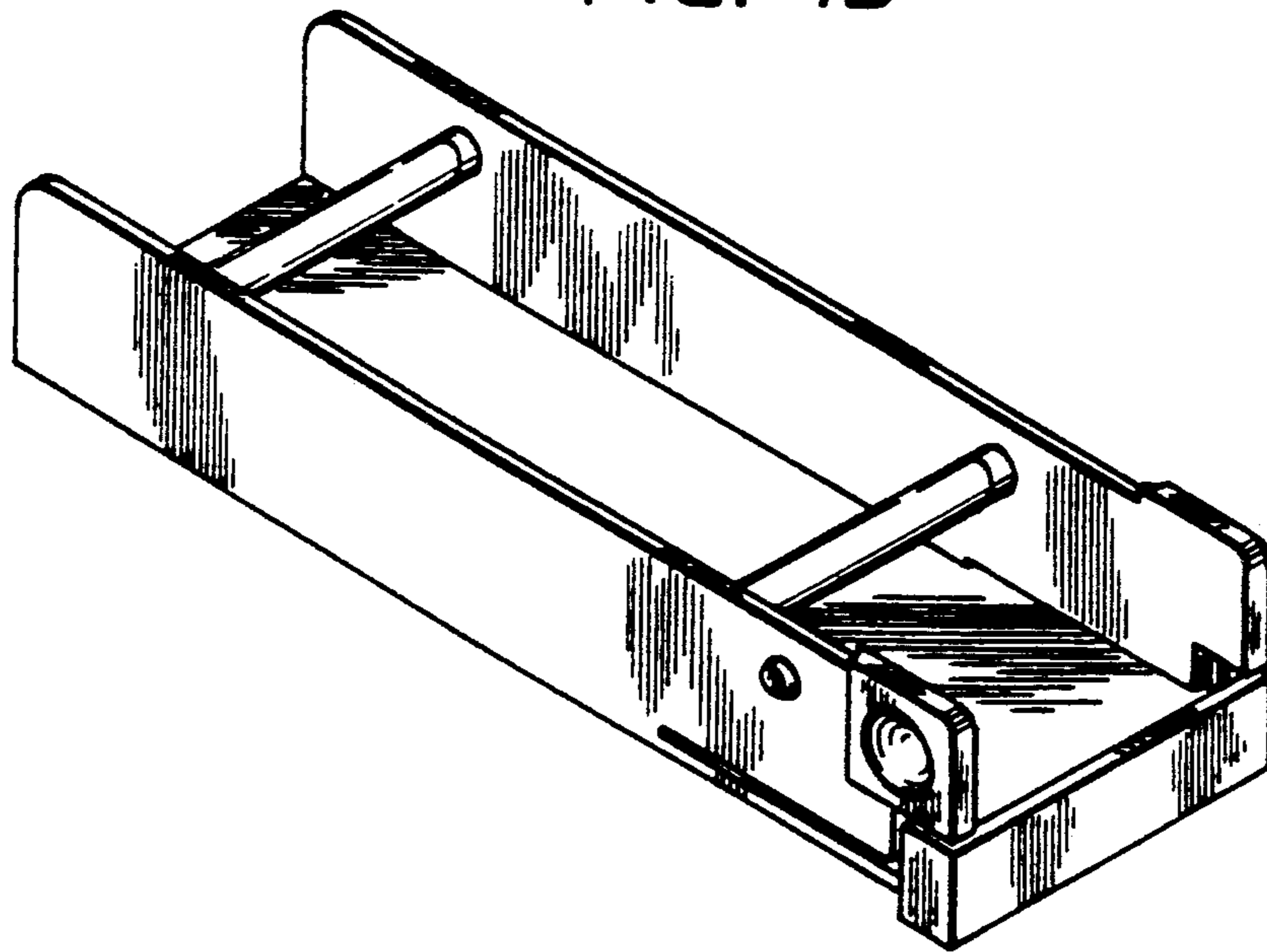


FIG. 18

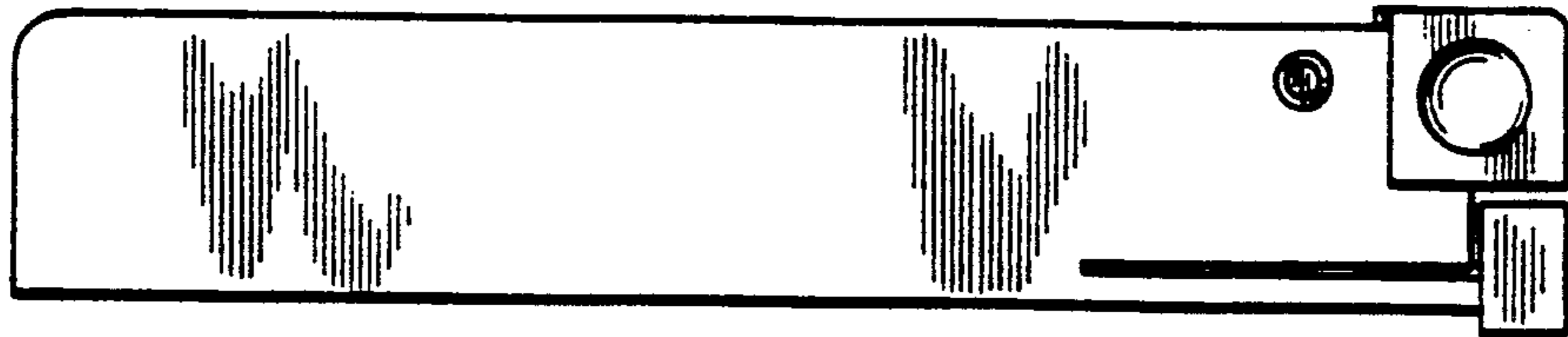


FIG. 14

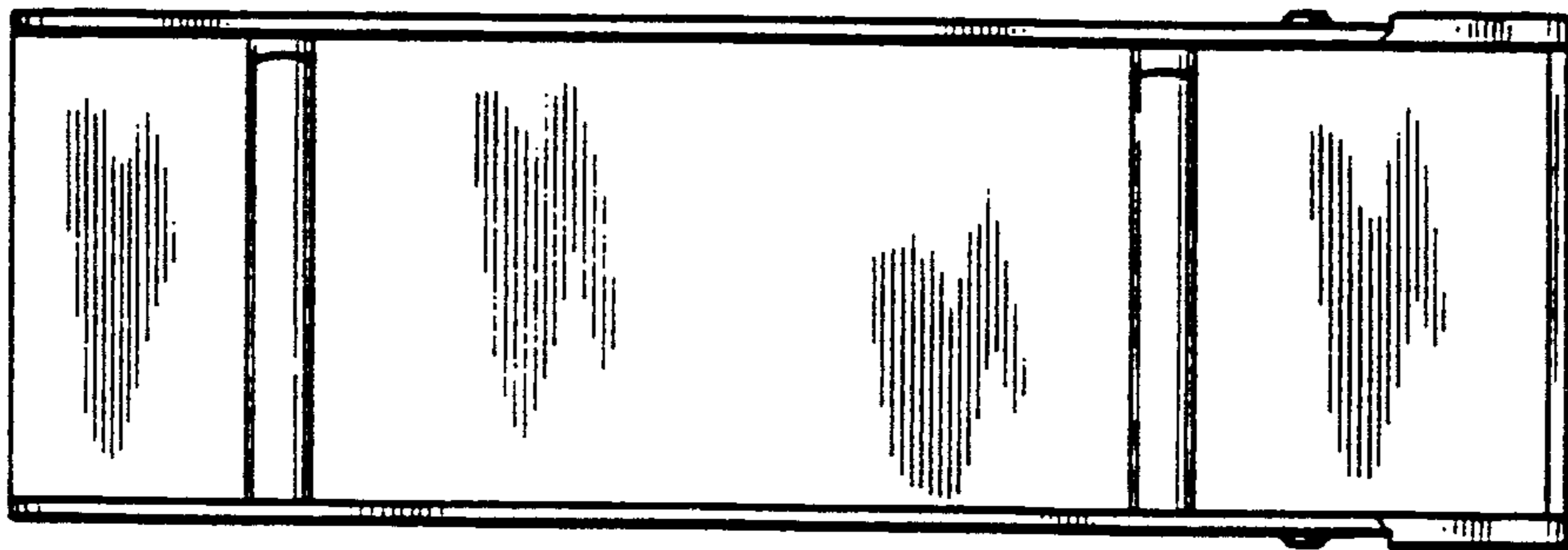


FIG. 15

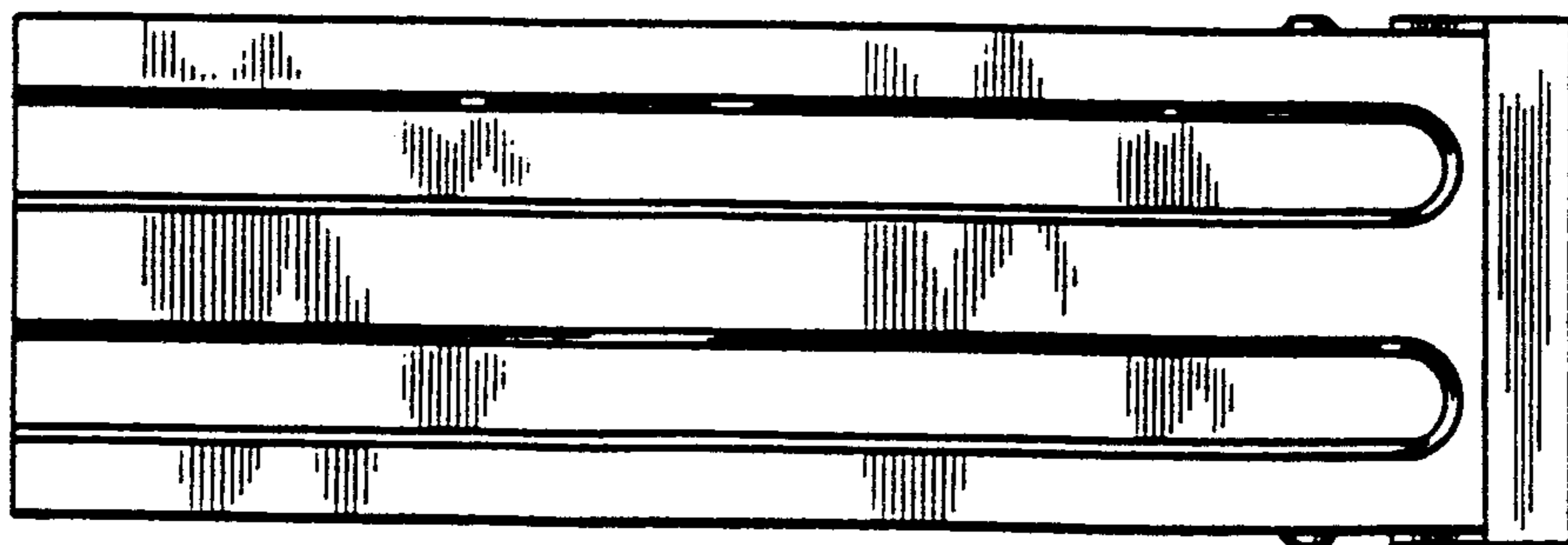


FIG. 19

