

[54] REVOLVING PHOTOGRAPHIC SLIDE HOLDER

[76] Inventor: Robert A. Canning, Rte. 1, 1900 Pecan, #20, Maxwell, Tex. 78656

[**] Term: 14 Years

[21] Appl. No.: 354,680

[22] Filed: May 22, 1989

[52] U.S. Cl. D16/236

[58] Field of Search D16/236; 353/108, 110, 353/112, 43, 99; 40/474; 206/456

[56] References Cited

U.S. PATENT DOCUMENTS

D. 122,908	10/1940	Stechbait	D16/236
D. 204,033	3/1966	Hall	D16/236
D. 214,001	4/1969	Steinbach et al.	D16/236
D. 217,642	5/1970	Blecher	D16/236

D. 244,023	4/1977	Wilsch et al.	D16/236
2,311,056	2/1943	Laughberg	353/110 X
2,773,323	11/1956	Gorwitz	353/110 X
3,322,035	5/1967	Admon	353/110 X
4,473,280	9/1984	Staar	353/110 X
4,832,482	5/1989	Kallenberg	353/108 X

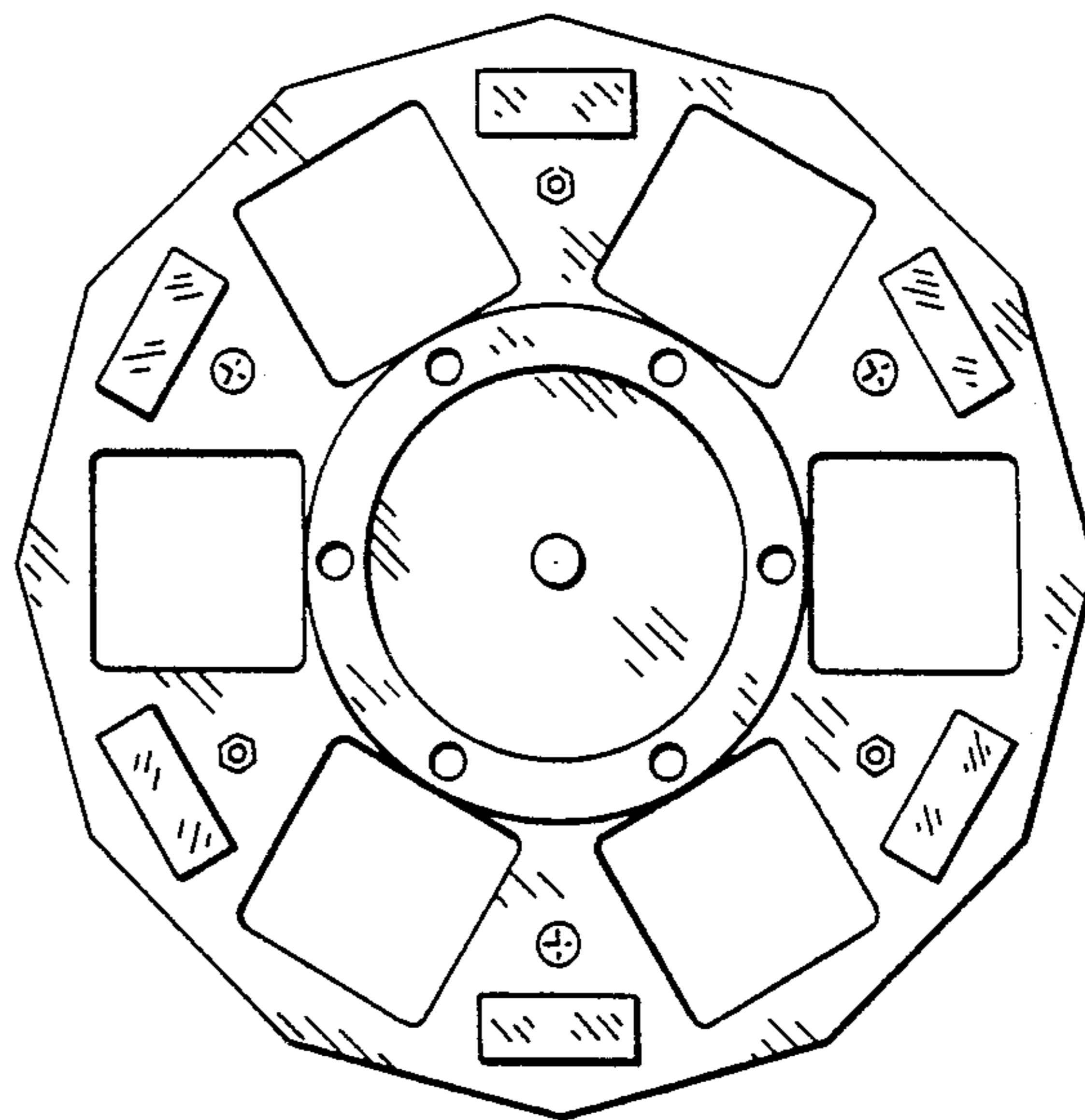
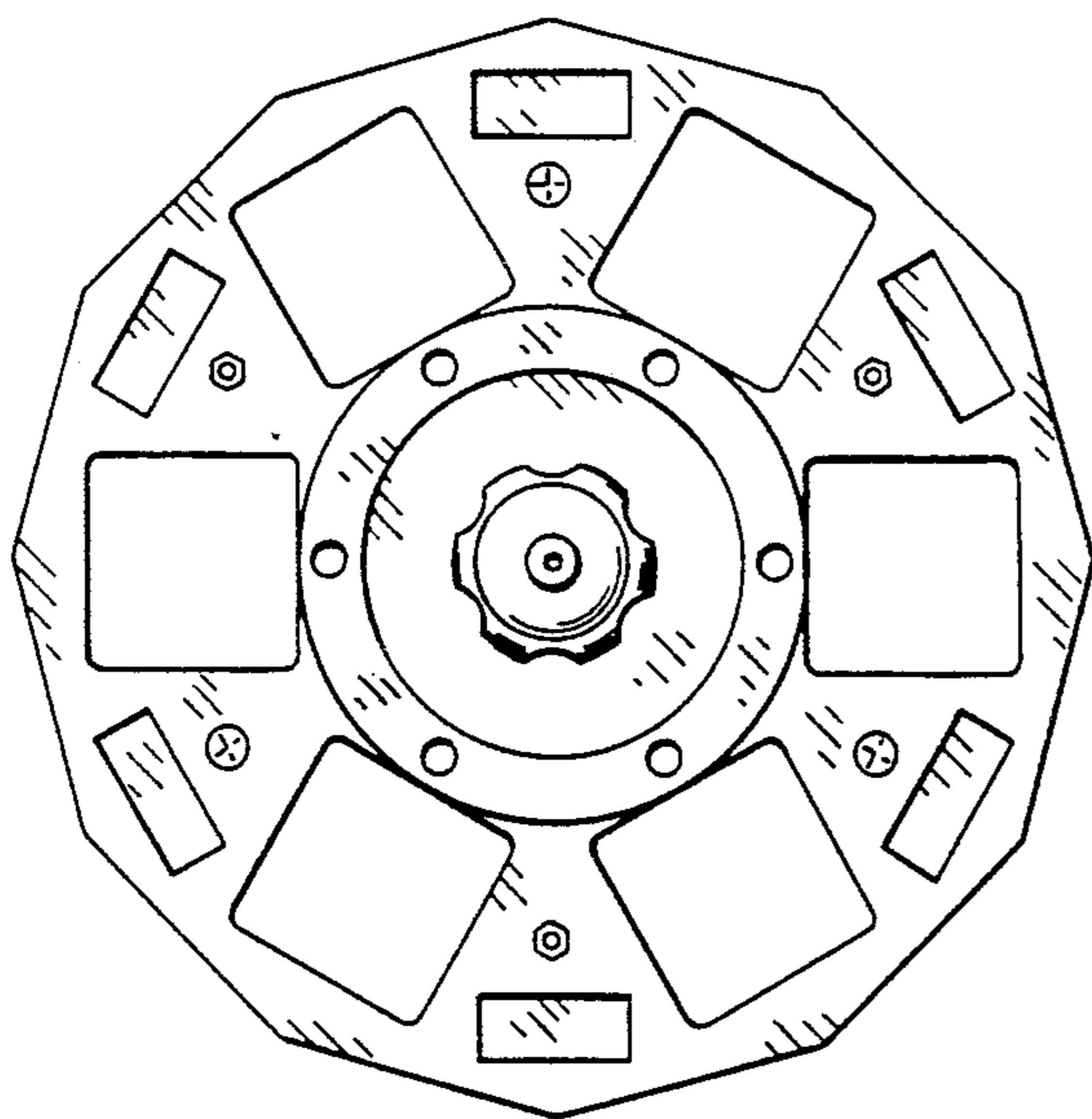
Primary Examiner—Bernard Ansher
Assistant Examiner—Dominic Simone
Attorney, Agent, or Firm—John C. Stahl

[57] CLAIM

The ornamental design for a revolving photographic slide holder, as shown.

DESCRIPTION

FIG. 1 is a top plan view of a revolving photographic slide holder, showing my new design; FIG. 2 is a bottom plan view thereof; FIG. 3 is a side elevational view thereof; and FIG. 4 is a vertical sectional view taken through the major axis thereof.



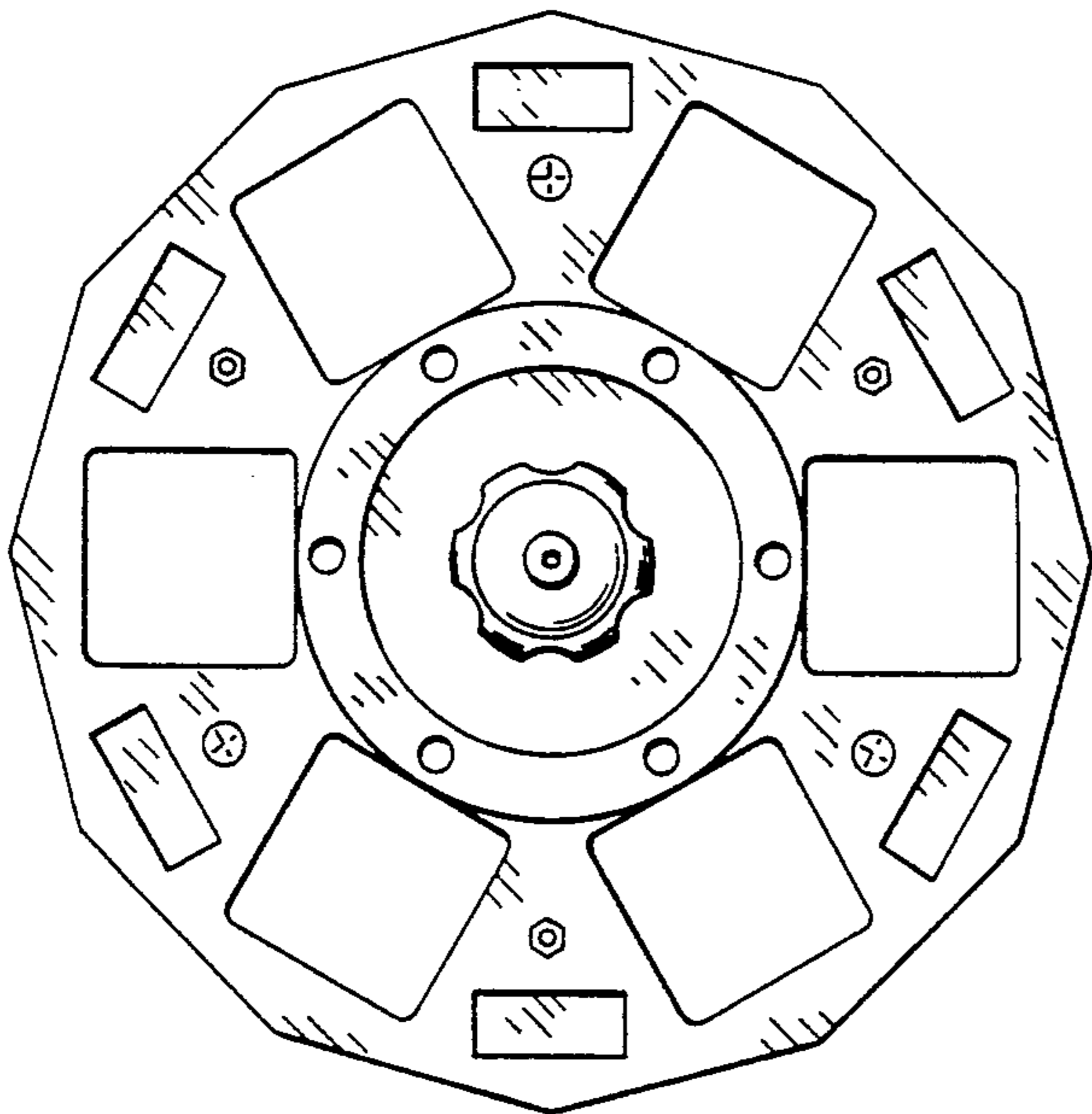


FIG. 1

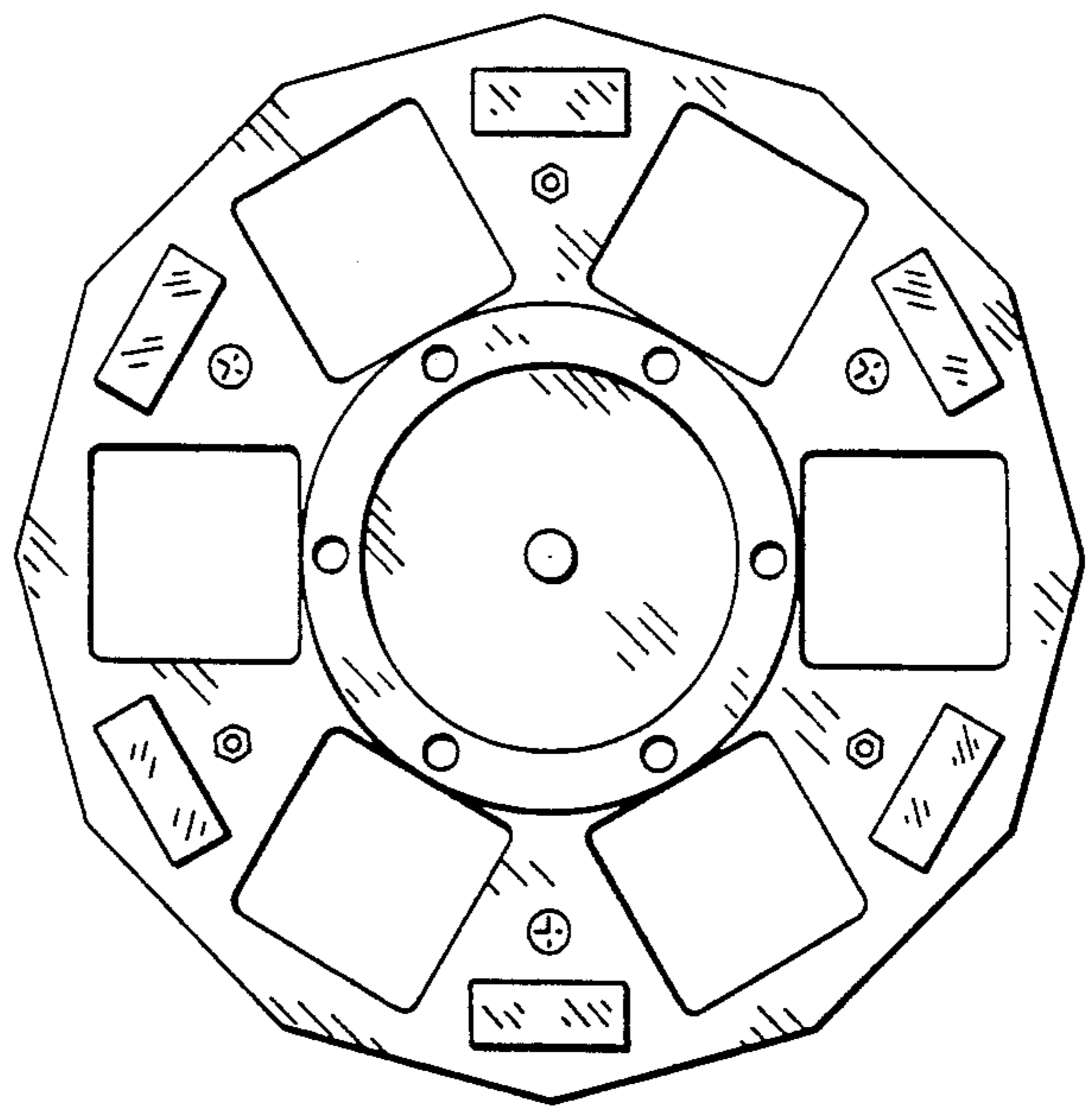


FIG. 2

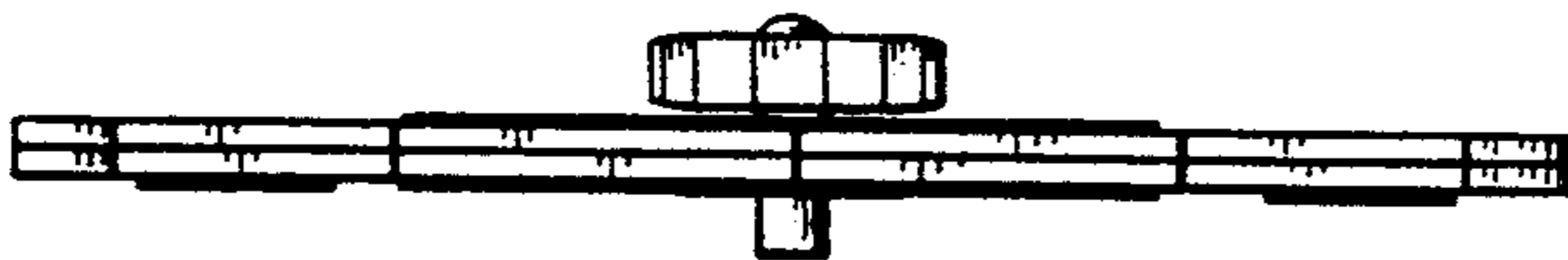


FIG. 3



FIG. 4