

[54] METAL RECOVERY SYSTEM

[75] Inventor: A. Norman Korb, Vancouver, Wash.

[73] Assignee: Lab Systems, Inc., Portland, Oreg.

[**] Term: 14 Years

[21] Appl. No.: 322,042

[22] Filed: Mar. 9, 1989

[52] U.S. Cl. D15/147

[58] Field of Search D15/144.1, 147;
204/228, 232, 233, 234, 235, 236, 242, 271

3,560,366 2/1971 Fisher 204/271 X
3,663,416 5/1972 Cooper et al. 204/271 X
4,834,849 5/1989 Woog 204/271 X

Primary Examiner—Nelson C. Holtje
Assistant Examiner—Antoine D. Davis
Attorney, Agent, or Firm—Klarquist, Sparkman,
Campbell, Leigh & Whinston

[57] CLAIM

The ornamental design for a metal recovery system, as shown.

DESCRIPTION

FIG. 1 is a top plan view of a metal recovery system showing my new design;
FIG. 2 is a front elevational view;
FIG. 3 is a bottom plan view;
FIG. 4 is a rear elevational view;
FIG. 5 is a left side elevational view; and
FIG. 6 is a right side elevational view thereof.

[56] References Cited

U.S. PATENT DOCUMENTS

D. 260,650 9/1981 Alviti D15/147
D. 299,830 2/1989 Chung-Hui D15/147
2,903,402 9/1959 Fromm, Jr. 204/242 X
2,913,170 11/1959 Picty 204/242 X

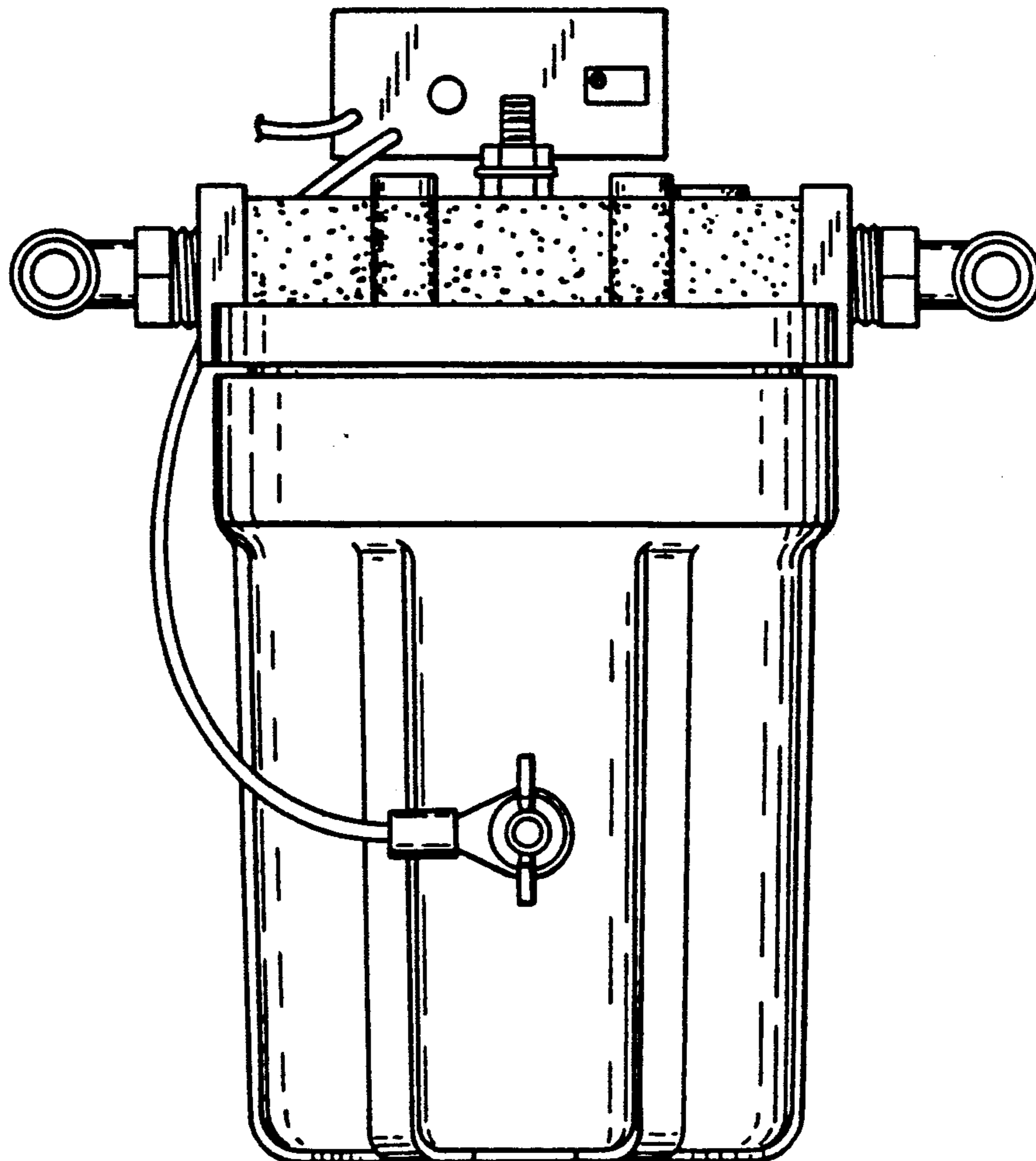


FIG. 1

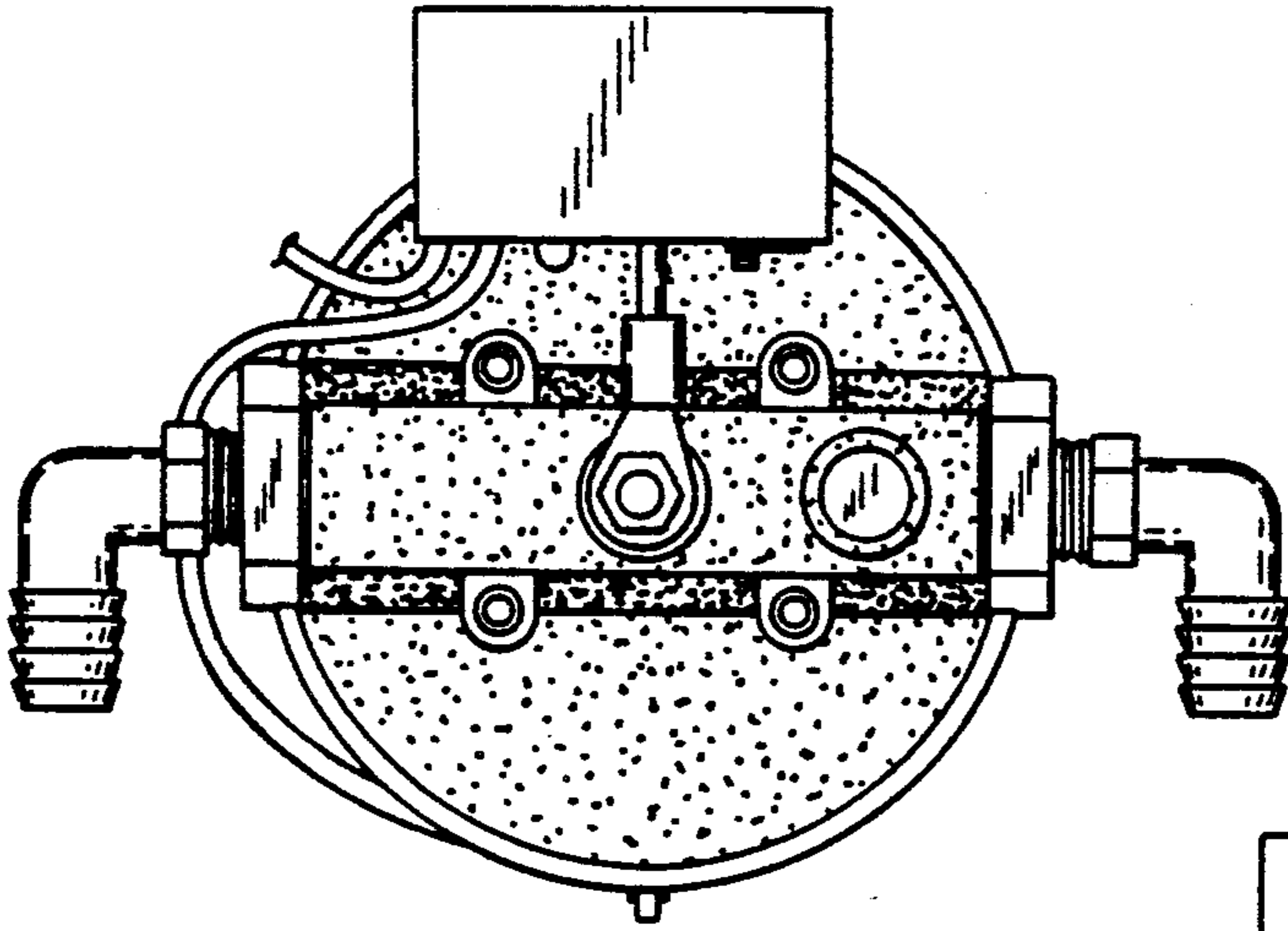


FIG. 2

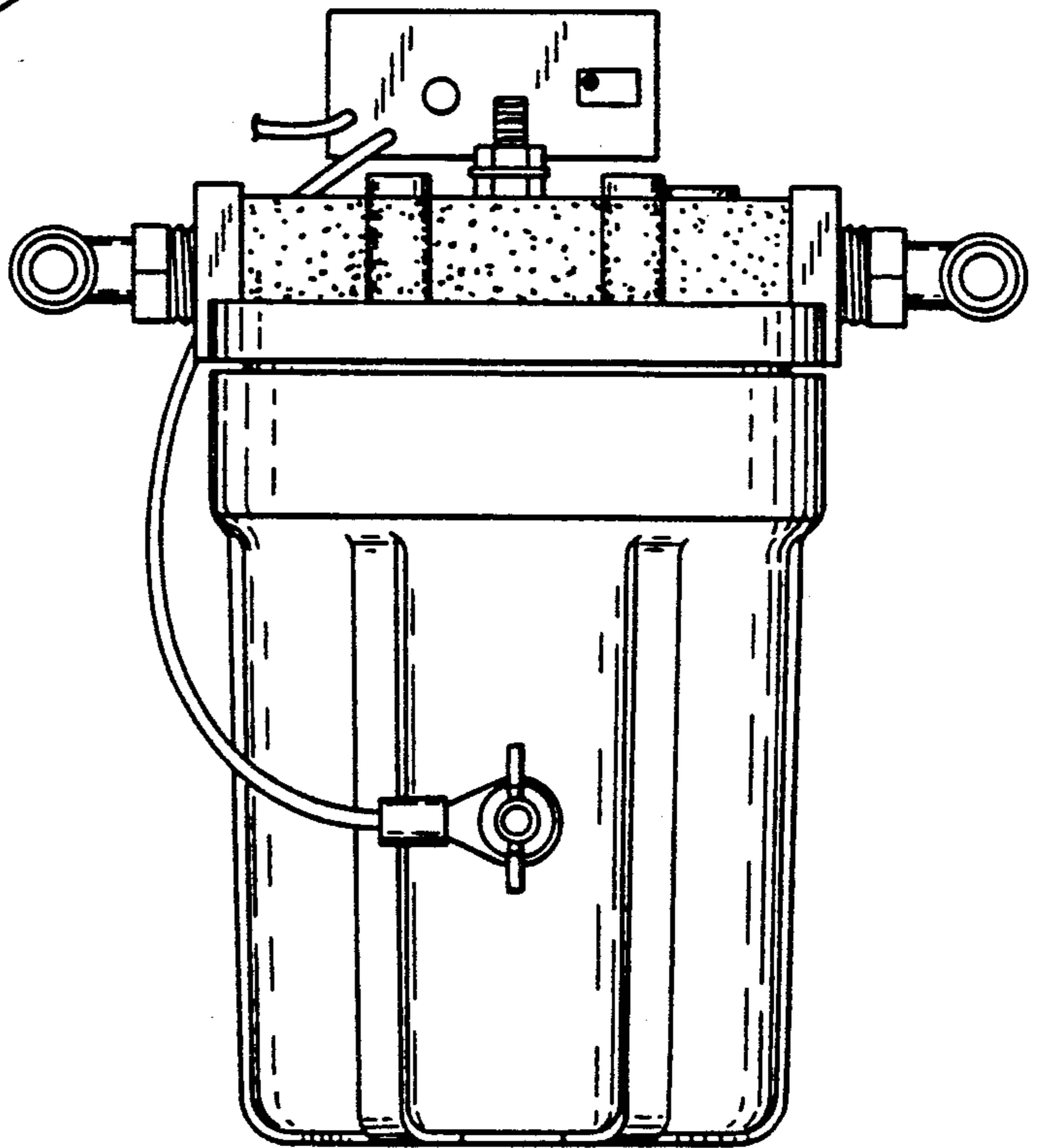


FIG. 3

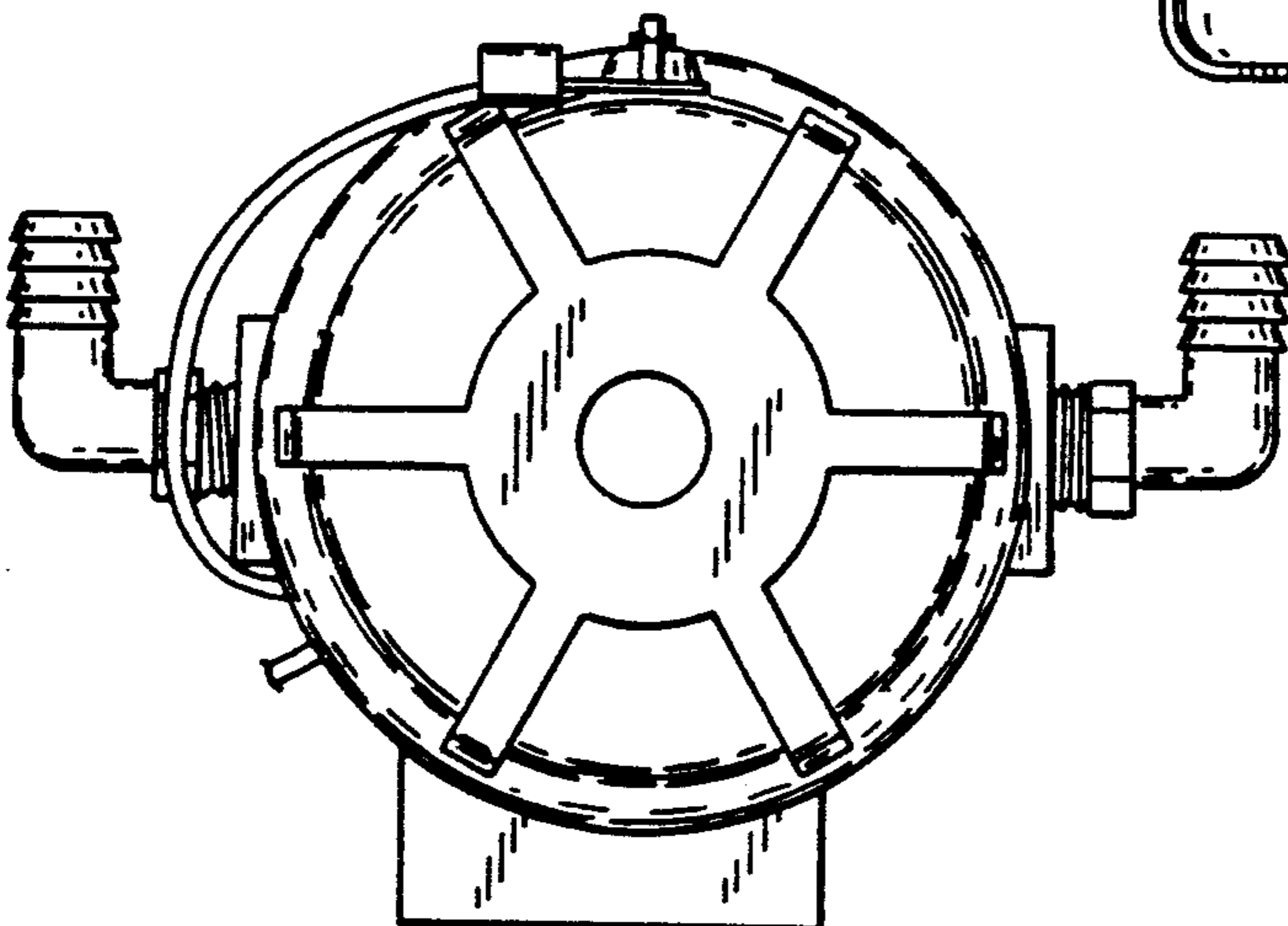


FIG. 4

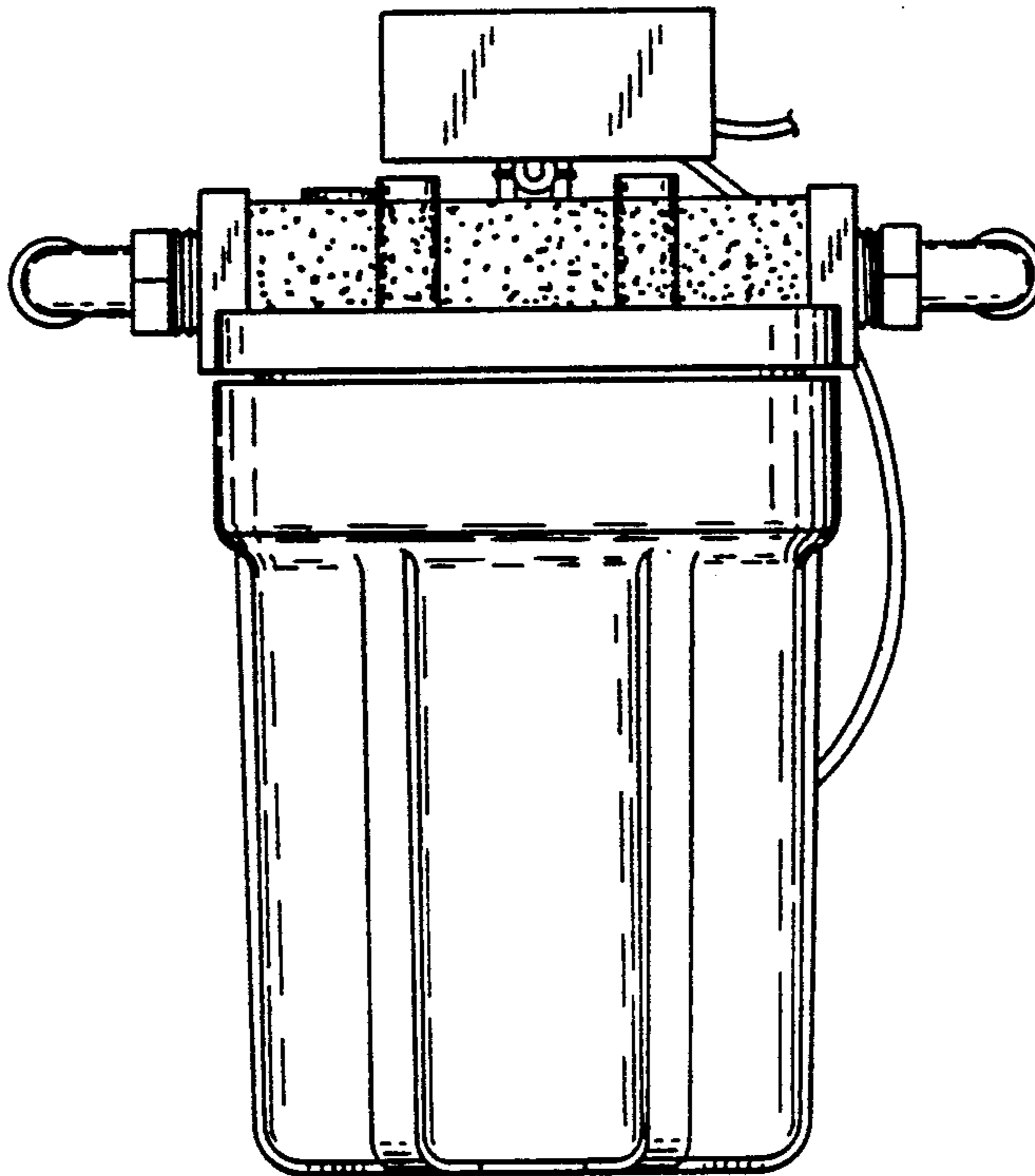


FIG. 5

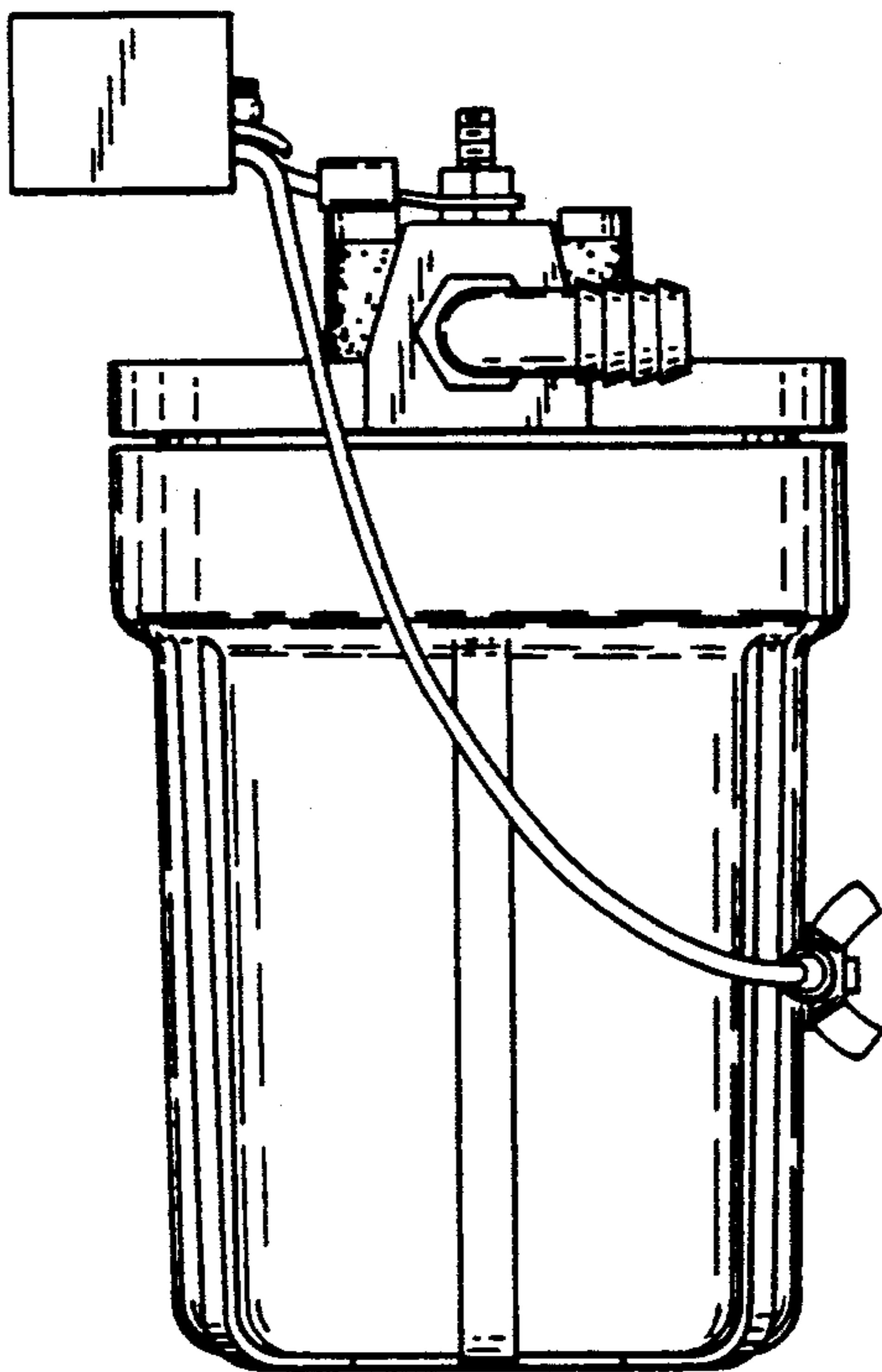


FIG. 6

