

[54] **ROUTER BRACKET**

[76] **Inventor: Charles Downing, R.R. 1, Box 13,
Sedan, Kans. 67361**

[**] **Term: 14 Years**

[21] **Appl. No.: 196,972**

[22] **Filed: May 20, 1988**

[52] **U.S. Cl. D15/138; D8/70**

[58] **Field of Search D15/141, 138; D8/71,
D8/70, 380; 248/674, 229, 904; 144/1 E, 1 F,
35 A, 35 R; 409/178, 182; 408/76, 712, 110,
112; 269/93**

[56] **References Cited**

U.S. PATENT DOCUMENTS

D. 285,207 8/1986 Morris et al. D15/141
D. 290,220 6/1987 Eckman D8/71
1,193,642 8/1916 Wallace 248/229
3,505,761 4/1970 Prieur 248/229 X

4,232,856 11/1980 Eichfeld et al. 269/93
4,878,644 11/1989 Downing 248/674

OTHER PUBLICATIONS

Engis Catalog, Connecting Rod.

Primary Examiner—Bruce W. Dunkins

Assistant Examiner—Jeffrey Asch

Attorney, Agent, or Firm—John Wade Carpenter

[57] **CLAIM**

The ornamental design for a router bracket, as shown and described.

DESCRIPTION

FIG. 1 is a top plan view of a router bracket showing my new design;

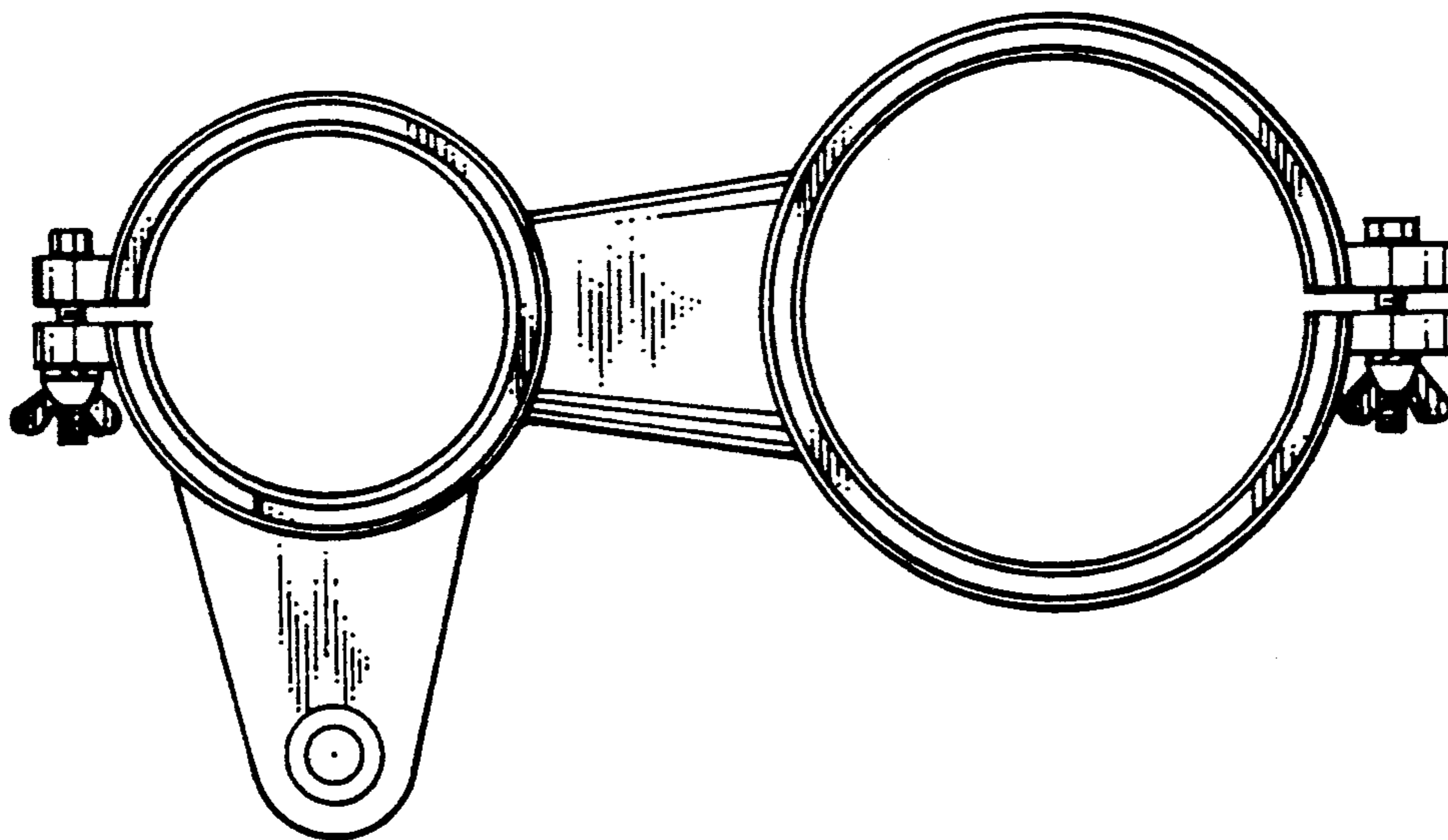
FIG. 2 is a bottom plan view thereof;

FIG. 3 is a left side elevational view thereof;

FIG. 4 is a right side elevational view thereof;

FIG. 5 is a front elevational view thereof; and

FIG. 6 is a rear elevational view thereof.



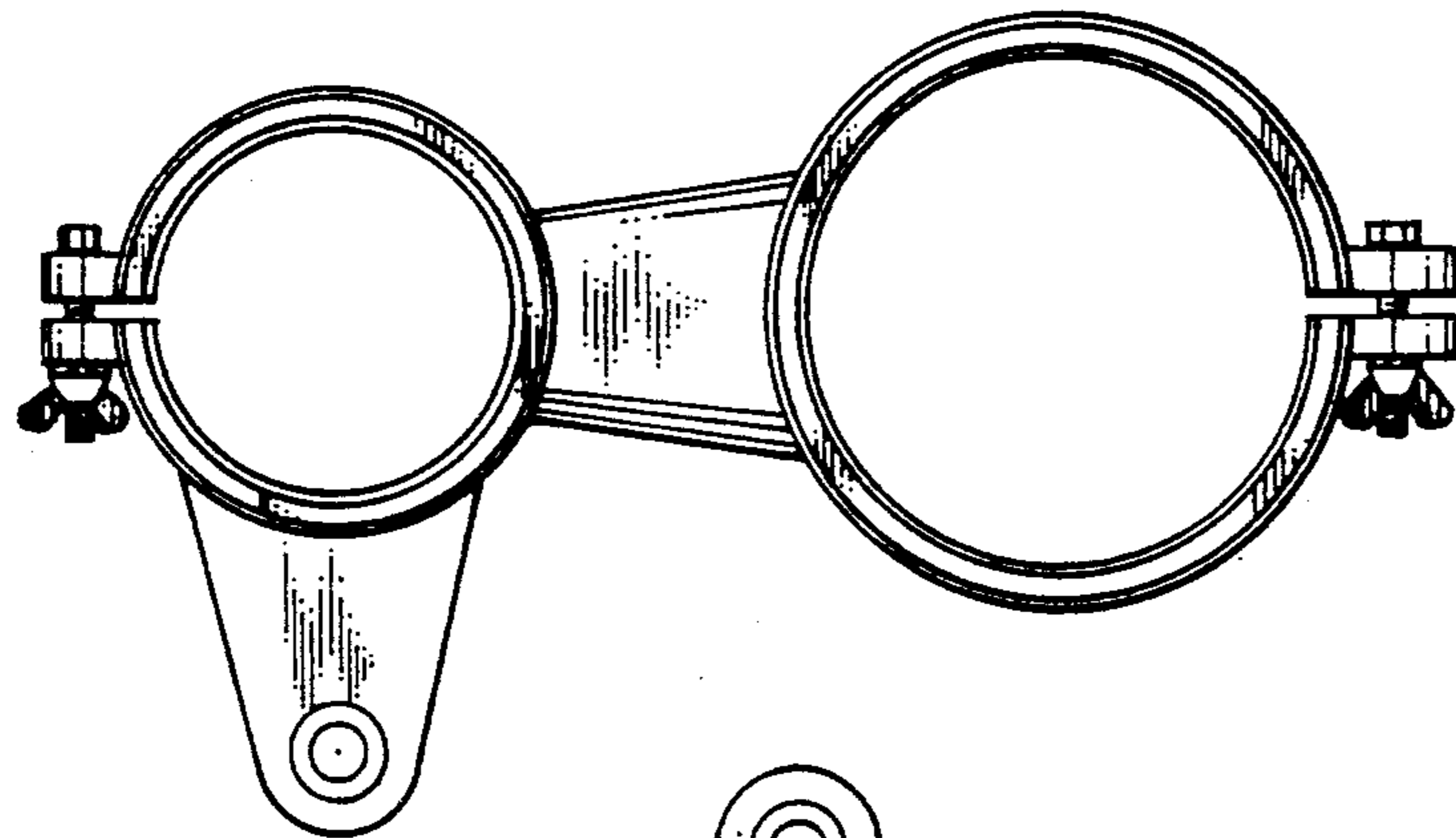


FIG. 1

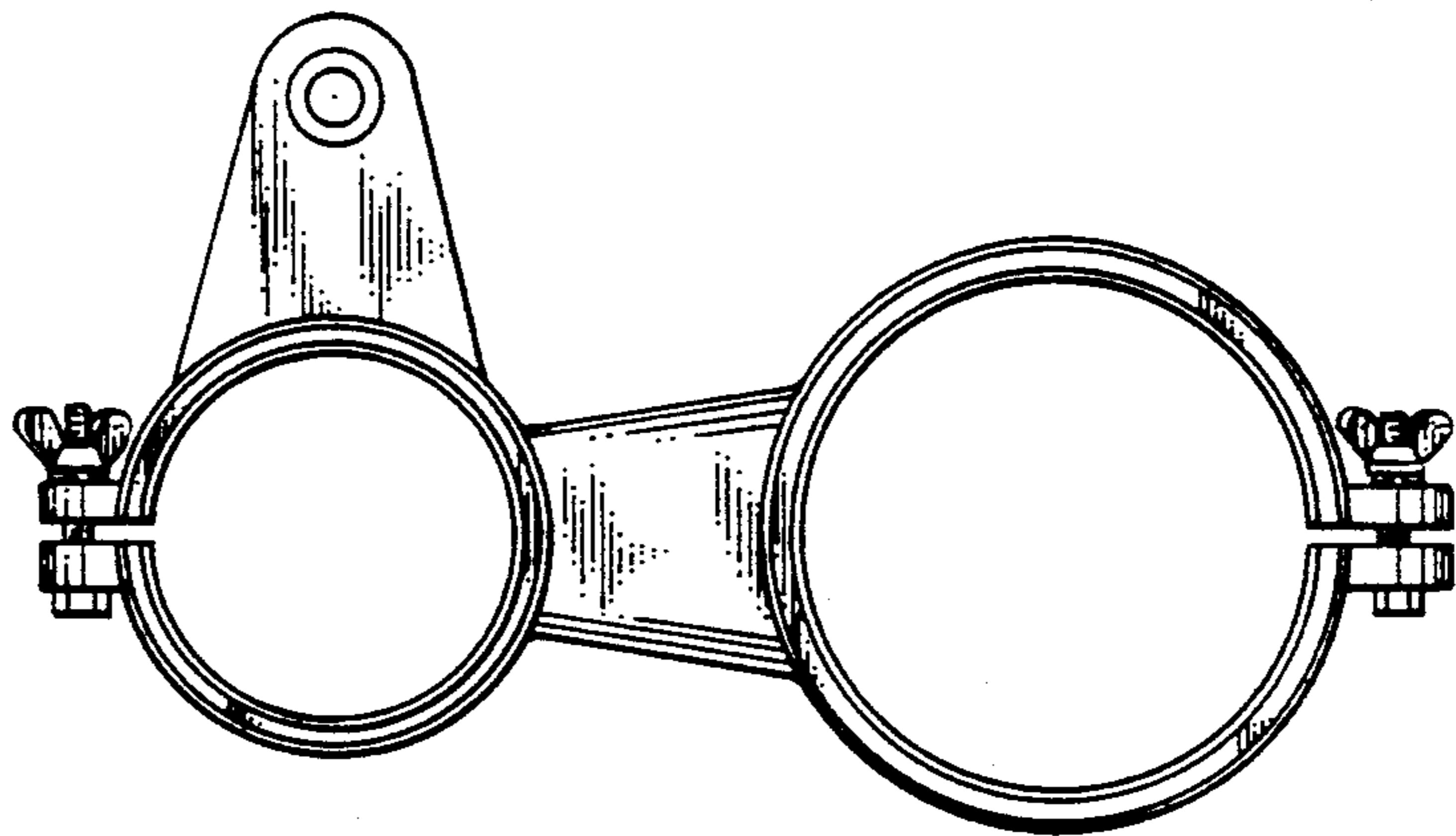


FIG. 2

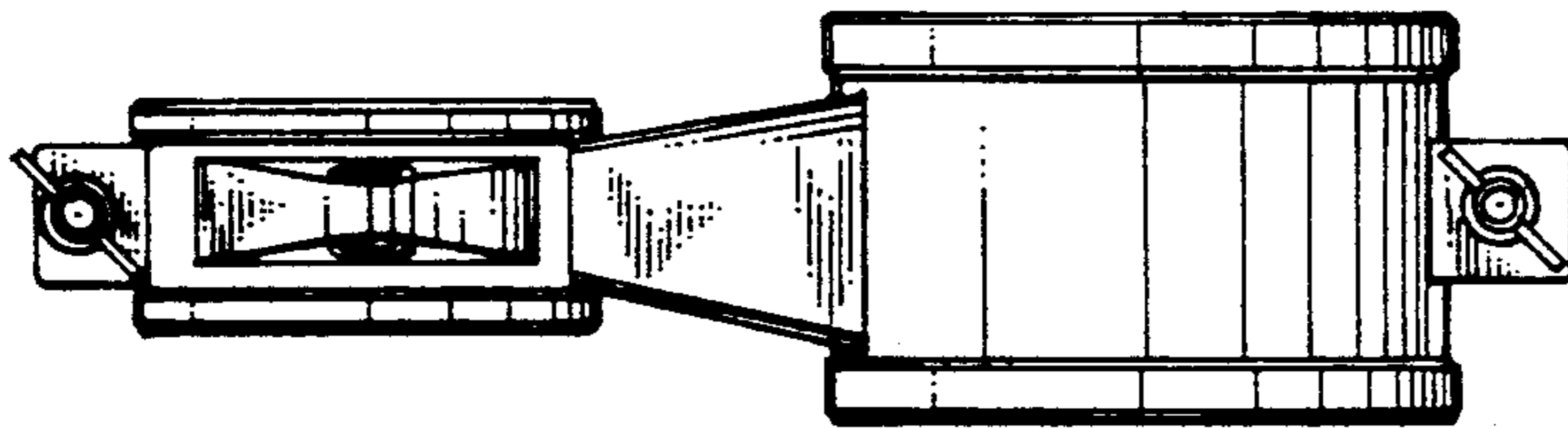


FIG. 3

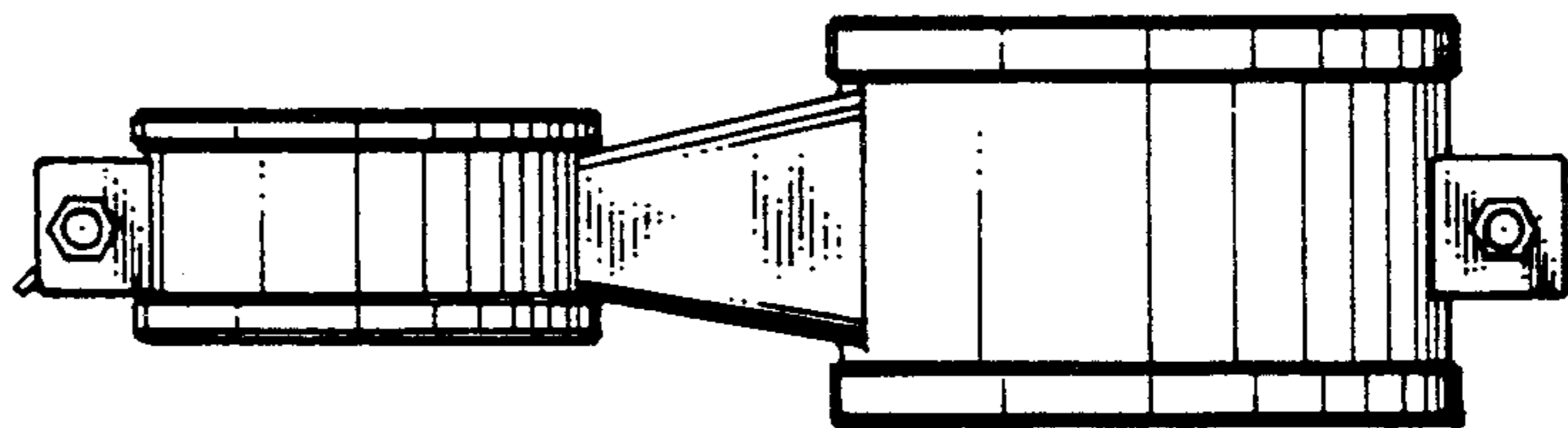


FIG. 4

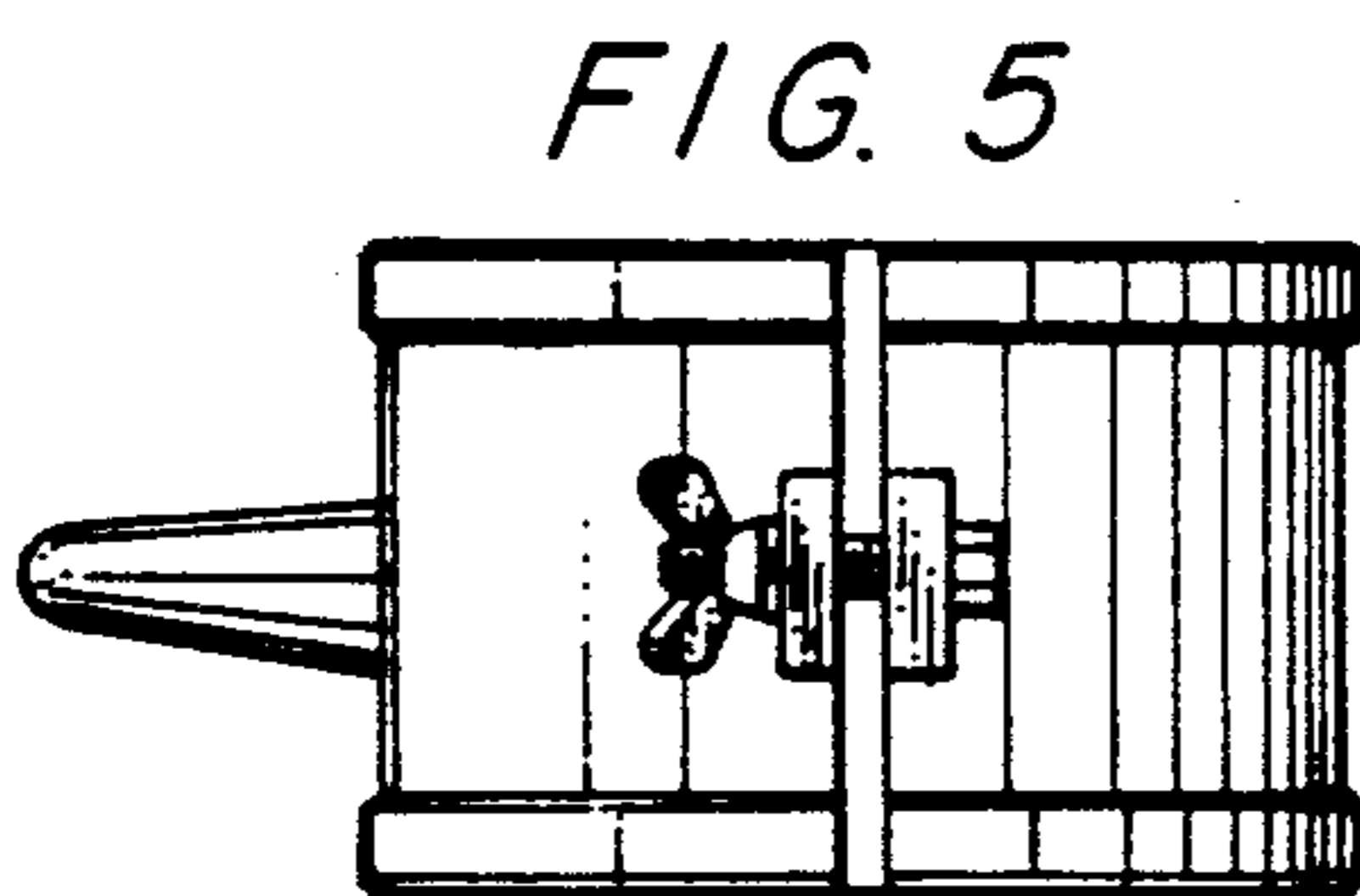


FIG. 5

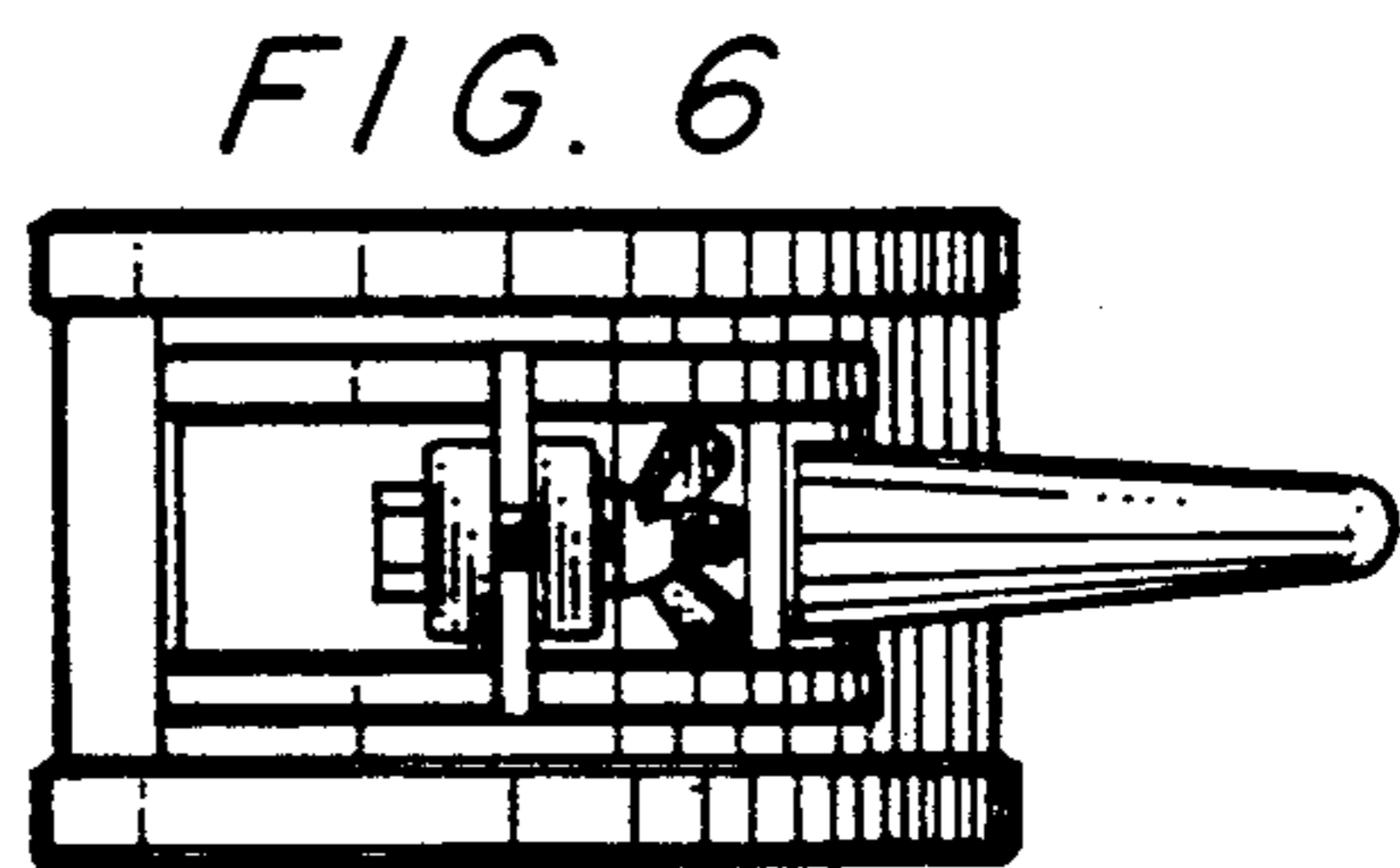


FIG. 6