

# United States Patent [19]

Bergin et al.

[11] Patent Number: Des. 322,071

[45] Date of Patent: \*\* Dec. 3, 1991

[54] HEADPHONE

[75] Inventors: James T. Bergin, Rochdale; Richard M. Urella, Princeton, both of Mass.

[73] Assignee: David Clark Company Incorporated, Worcester, Mass.

[\*\*] Term: 14 Years

[21] Appl. No.: 302,829

[22] Filed: Jan. 27, 1989

[52] U.S. Cl. .... D14/206; D14/205

[58] Field of Search ..... D14/204, 205, 206, 223; 381/25, 68, 91, 122, 156, 158, 183, 187; 379/430, 444; 181/129, 133

[56] **References Cited**

**U.S. PATENT DOCUMENTS**

D. 254,616	4/1980	Tabata .....	D14/205
D. 299,337	1/1989	Wiegel .....	D14/206
3,555,207	1/1971	Cech .....	379/430

4,754,484 6/1988 Larkin et al. .... 381/187 X

**OTHER PUBLICATIONS**

David Clark Company Noise Attenuating Headsets Brochure; p. 5; top right-Model H7030.

*Primary Examiner*—Theodore M. Shooman  
*Attorney, Agent, or Firm*—Samuels, Gauthier & Stevens

[57] **CLAIM**

The ornamental design for a headphone, as shown and described.

**DESCRIPTION**

FIG. 1 is a top, front and right side perspective view of a headphone showing our new design; FIG. 2 is a top plan view thereof; FIG. 3 is a front elevational view thereof; FIG. 4 is a rear elevational view thereof; FIG. 5 is a bottom plan view thereof; FIG. 6 is a left side elevational view thereof; and FIG. 7 is a right side elevational view thereof.





FIG. 1

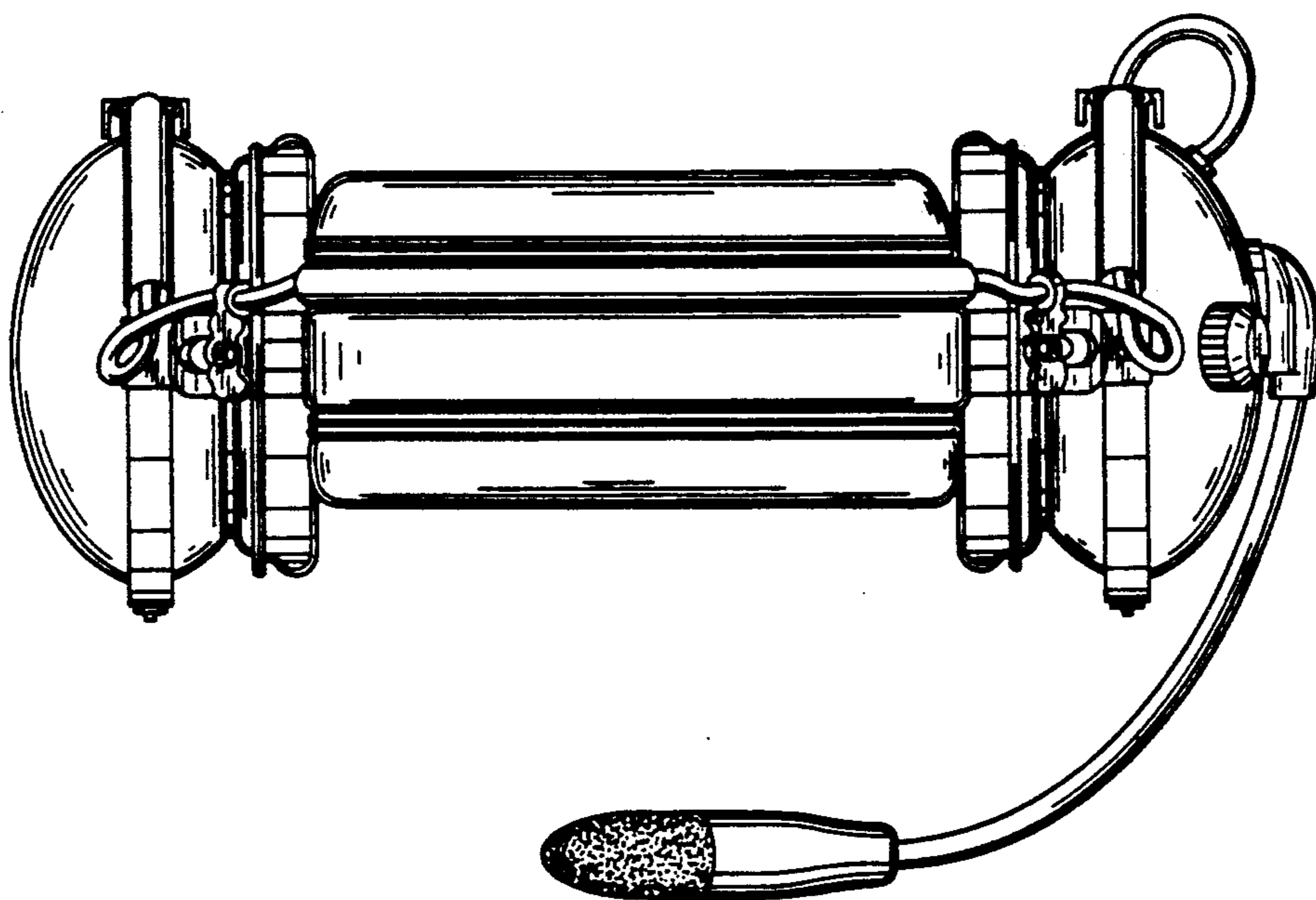


FIG. 2

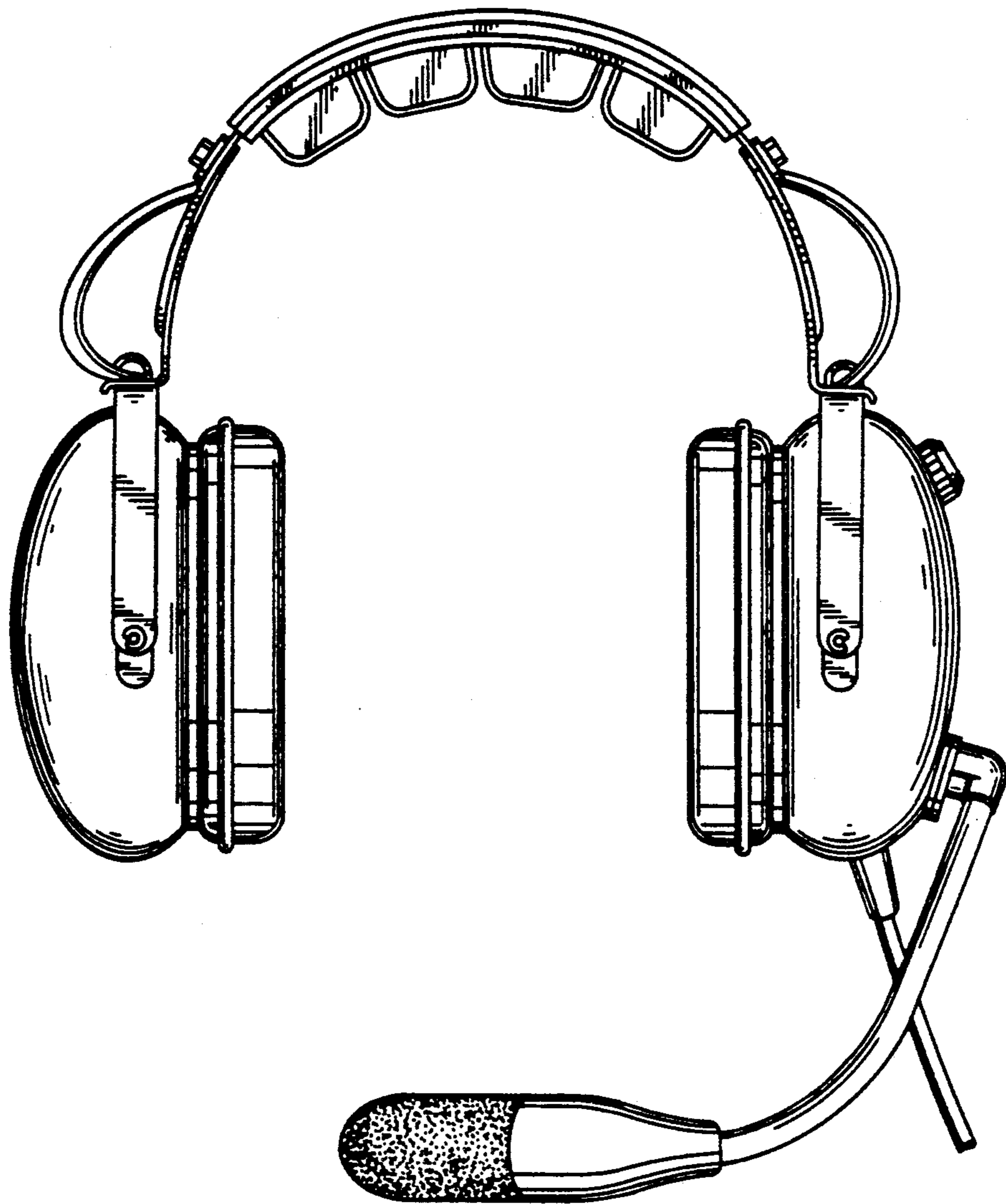


FIG. 3

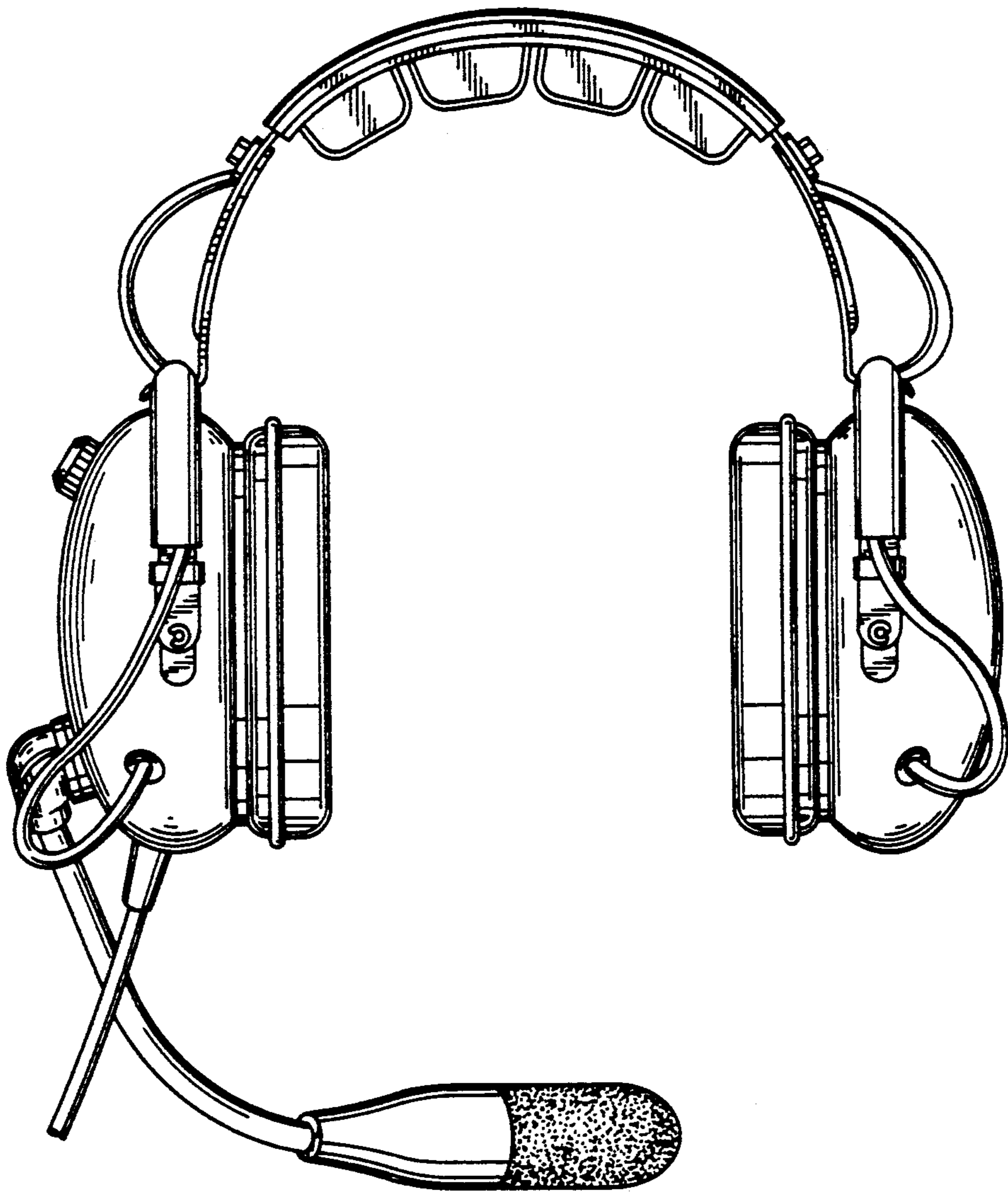


FIG. 4



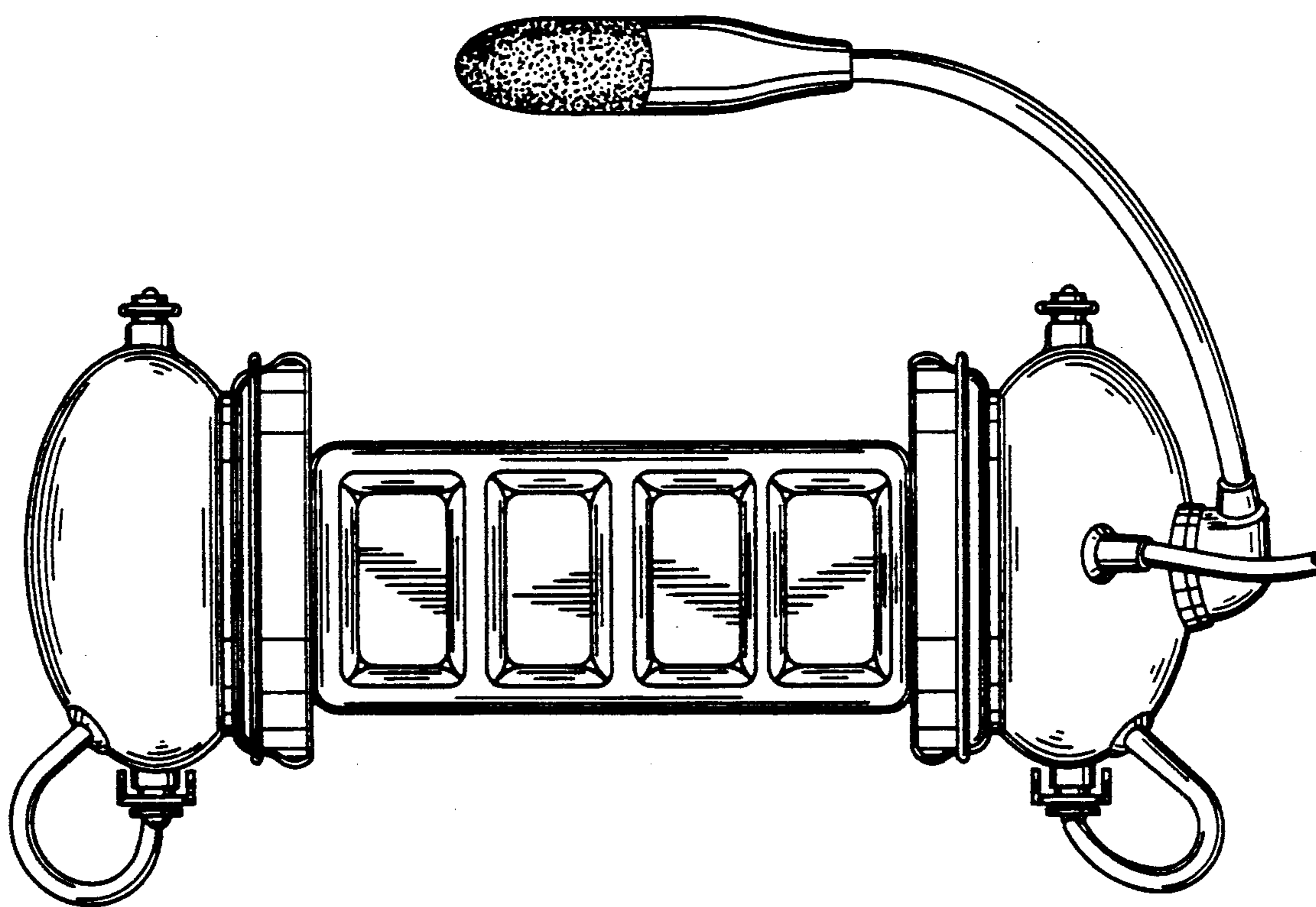


FIG. 5

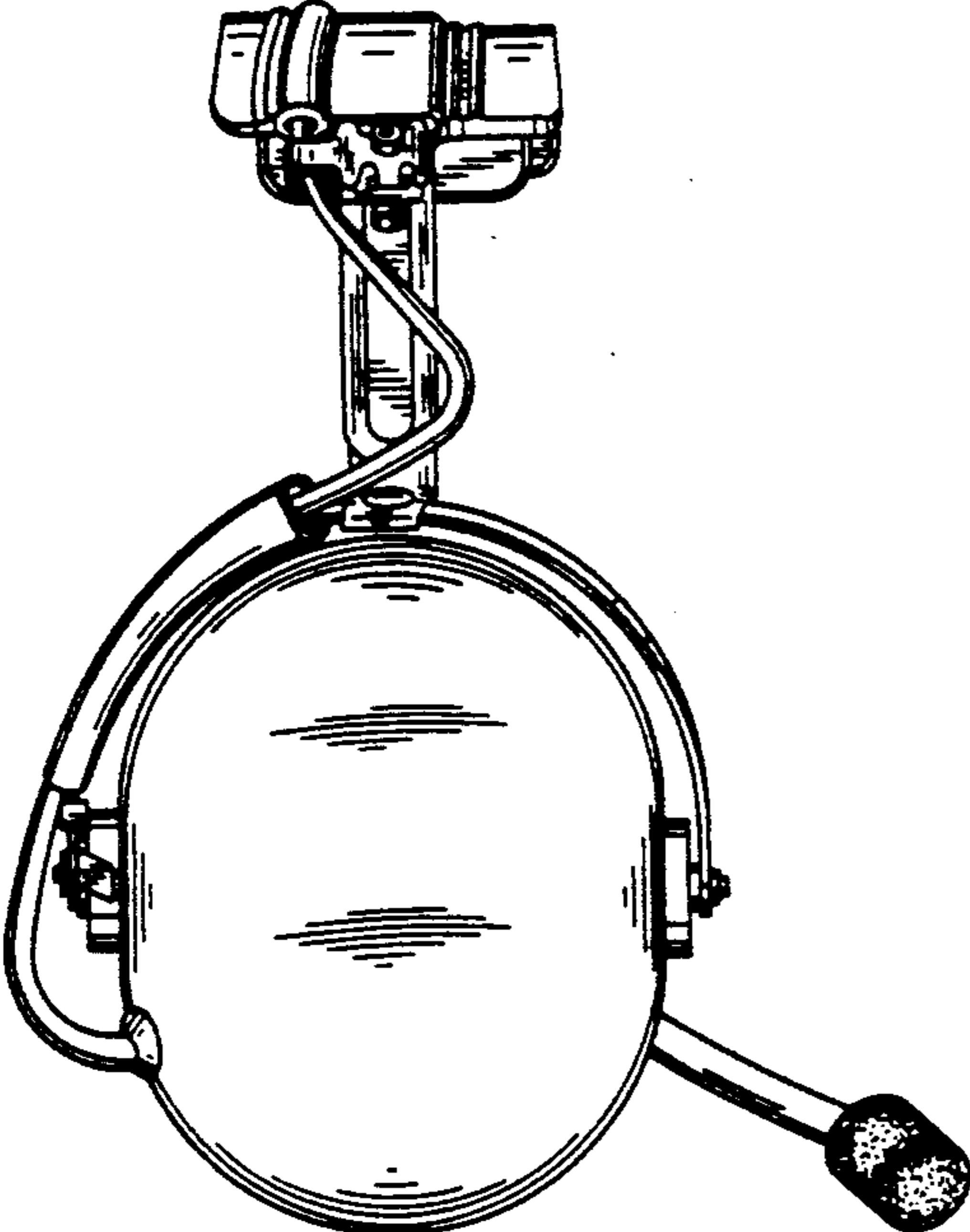


FIG. 6

FIG. 7

