

[54] **COMBINED VIDEO CASSETTE RECORDER  
AND TELEVISION RECEIVER**

[75] **Inventor: Gerd H. Ziebarth, Krefeld, Fed. Rep.  
of Germany**

[73] **Assignee: U.S. Philips Corporation, New York,  
N.Y.**

[\*\*] **Term: 14 Years**

[21] **Appl. No.: 430,447**

[22] **Filed: Oct. 31, 1989**

[30] **Foreign Application Priority Data**

May 16, 1989 [WO] World Int. Prop. O. .... DM/013577

[52] **U.S. Cl. .... D14/129; D14/135**

[58] **Field of Search .... D14/124-125,  
D14/135-136, 156, 217, 239, 299**

[56] **References Cited**

**U.S. PATENT DOCUMENTS**

D. 311,004 10/1990 Iwama ..... D14/135

D. 311,394 10/1990 Shim ..... D14/135 X

D. 311,395 10/1990 Igo ..... D14/135 X

**OTHER PUBLICATIONS**

HFD, 08/27/87, p. 113, top left—Combined TV and  
VCR.

Video Review, Dec. 1987, p. 59, bottom right—Sony  
Model EV-DT1.

*Primary Examiner*—Theodore M. Shooman  
*Attorney, Agent, or Firm*—Jack E. Haken

[57] **CLAIM**

The ornamental design for a combined video cassette  
recorder and television receiver, as shown.

**DESCRIPTION**

FIG. 1 is a top, front and right side perspective view of  
a combined video cassette recorder and television re-  
ceiver showing my new design;

FIG. 2 is a front elevational view thereof;

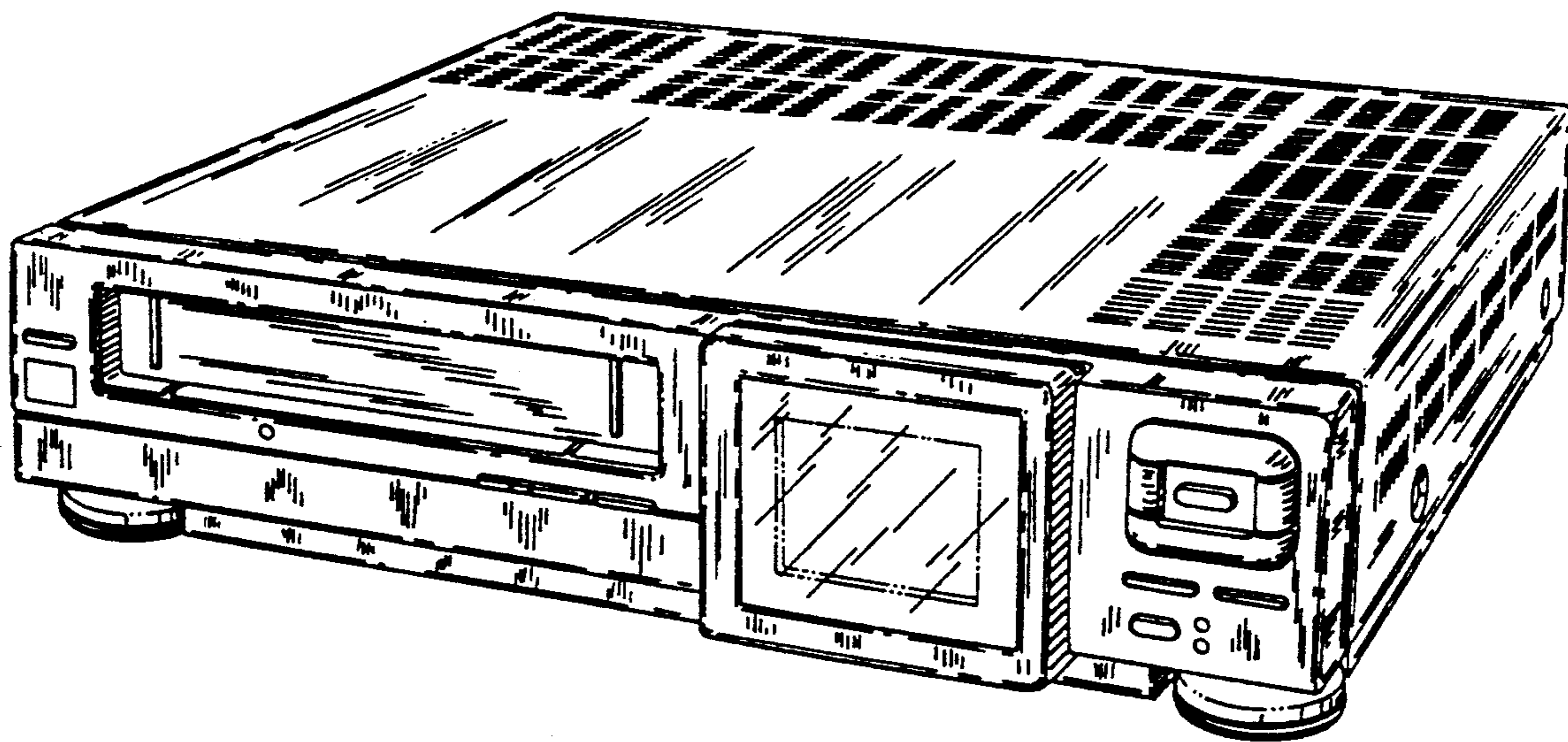
FIG. 3 is a top plan view thereof;

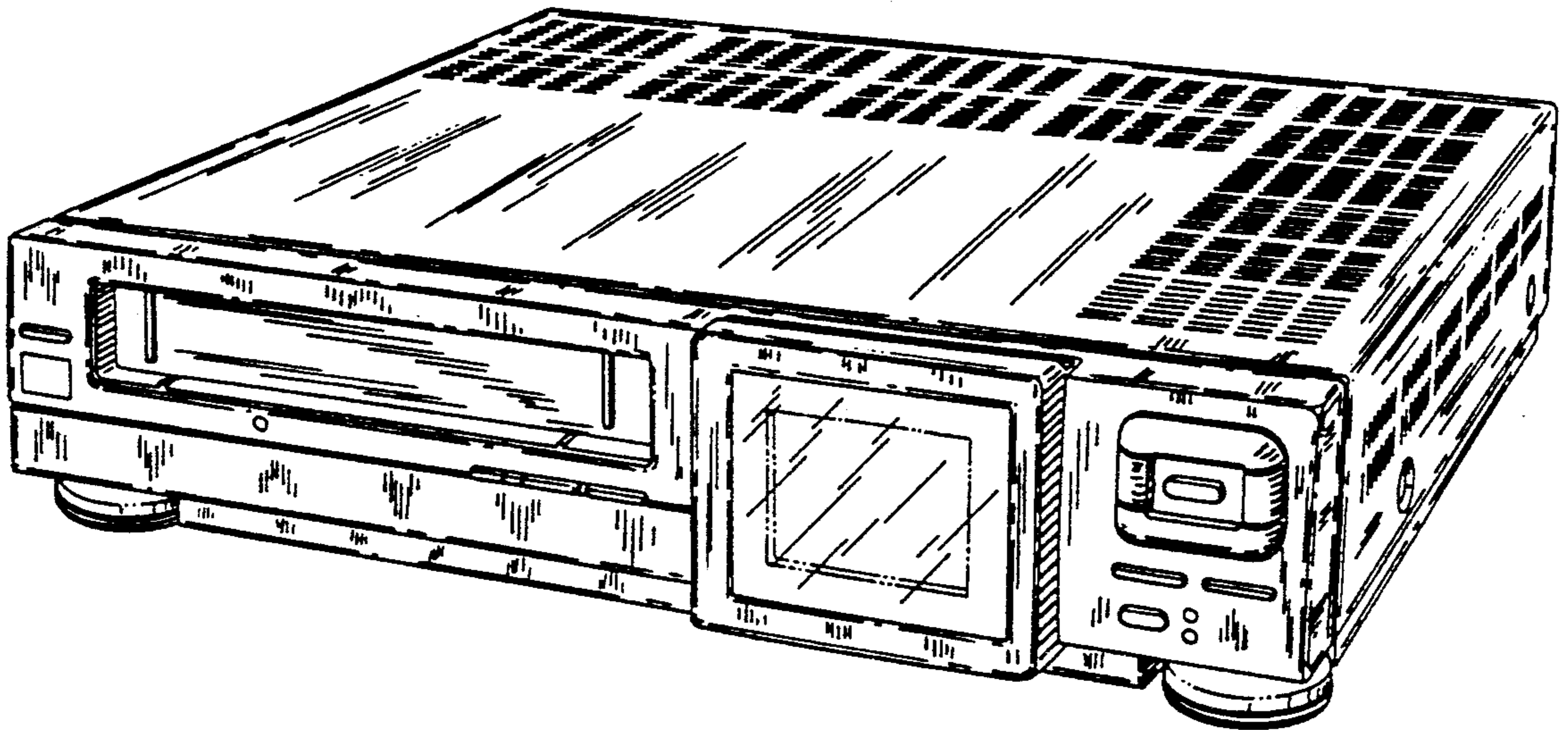
FIG. 4 is a rear elevational view thereof;

FIG. 5 is a bottom plan view thereof;

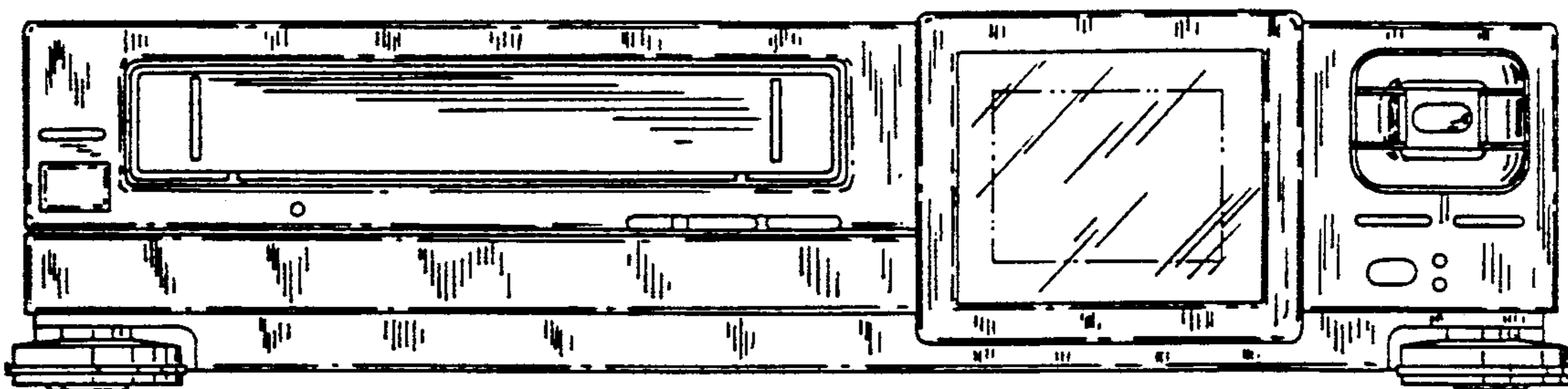
FIG. 6 is a right side elevational view thereof;

FIG. 7 is a left side elevational view thereof.

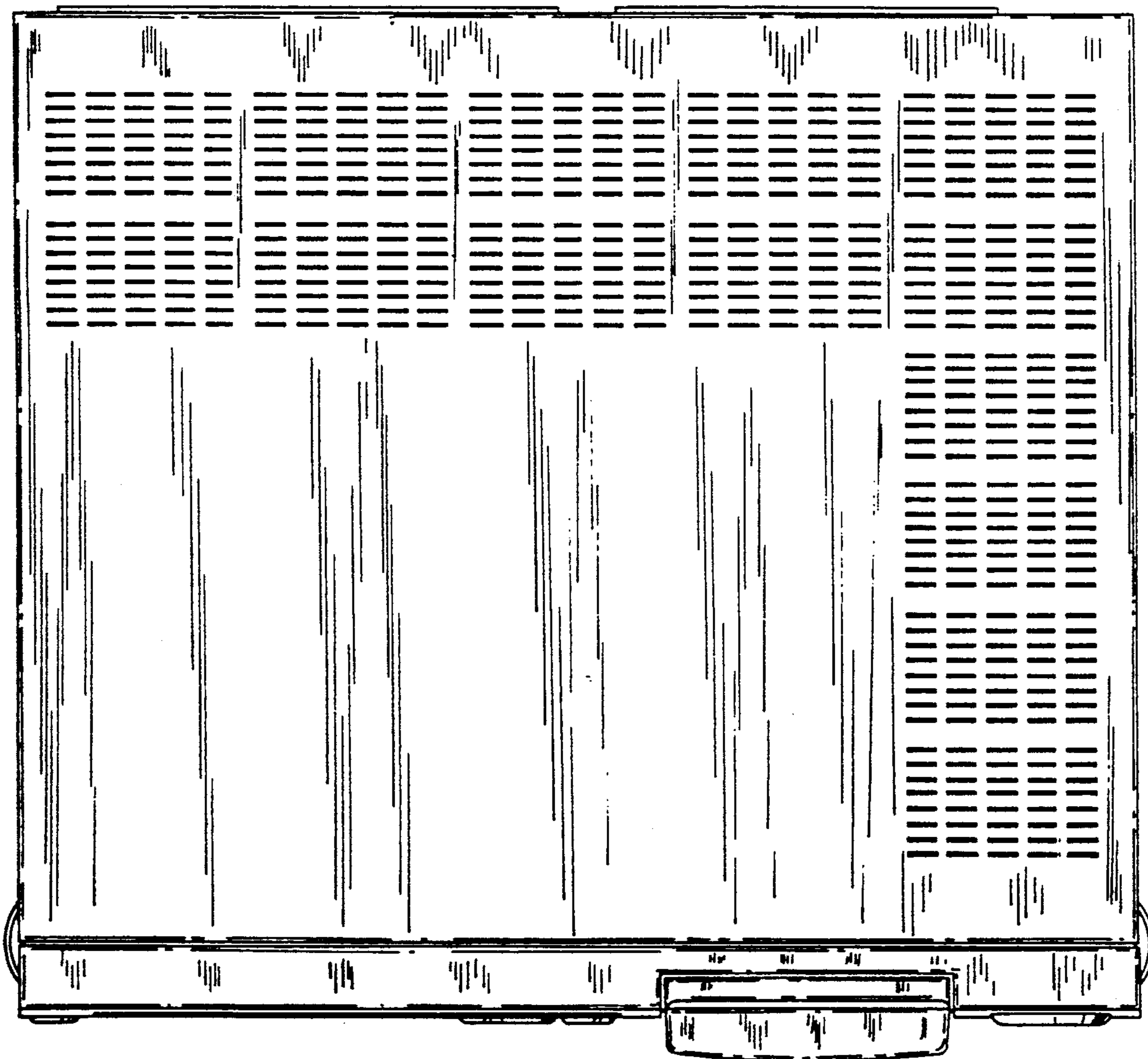




**FIG. 1**

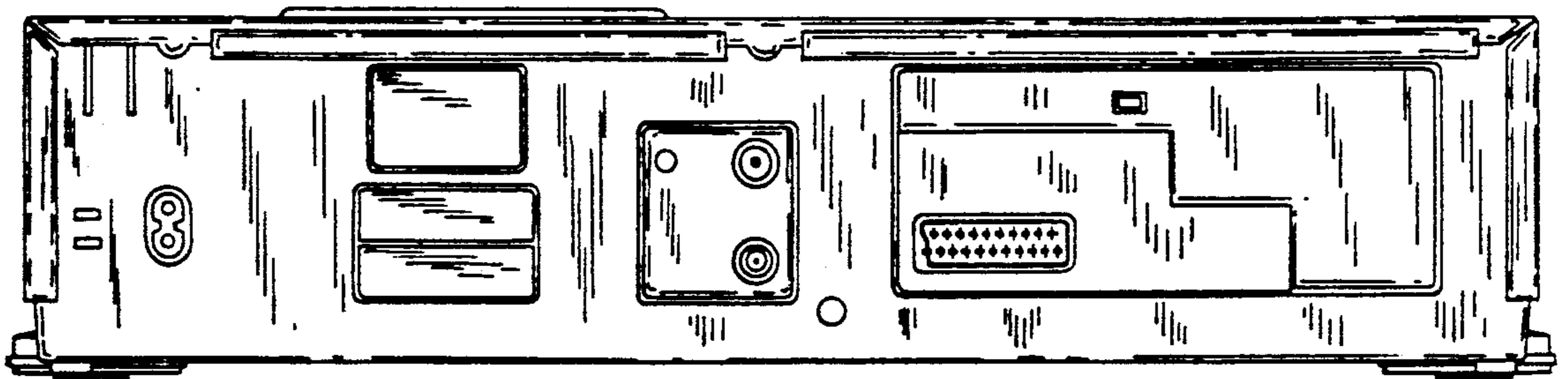


**FIG. 2**

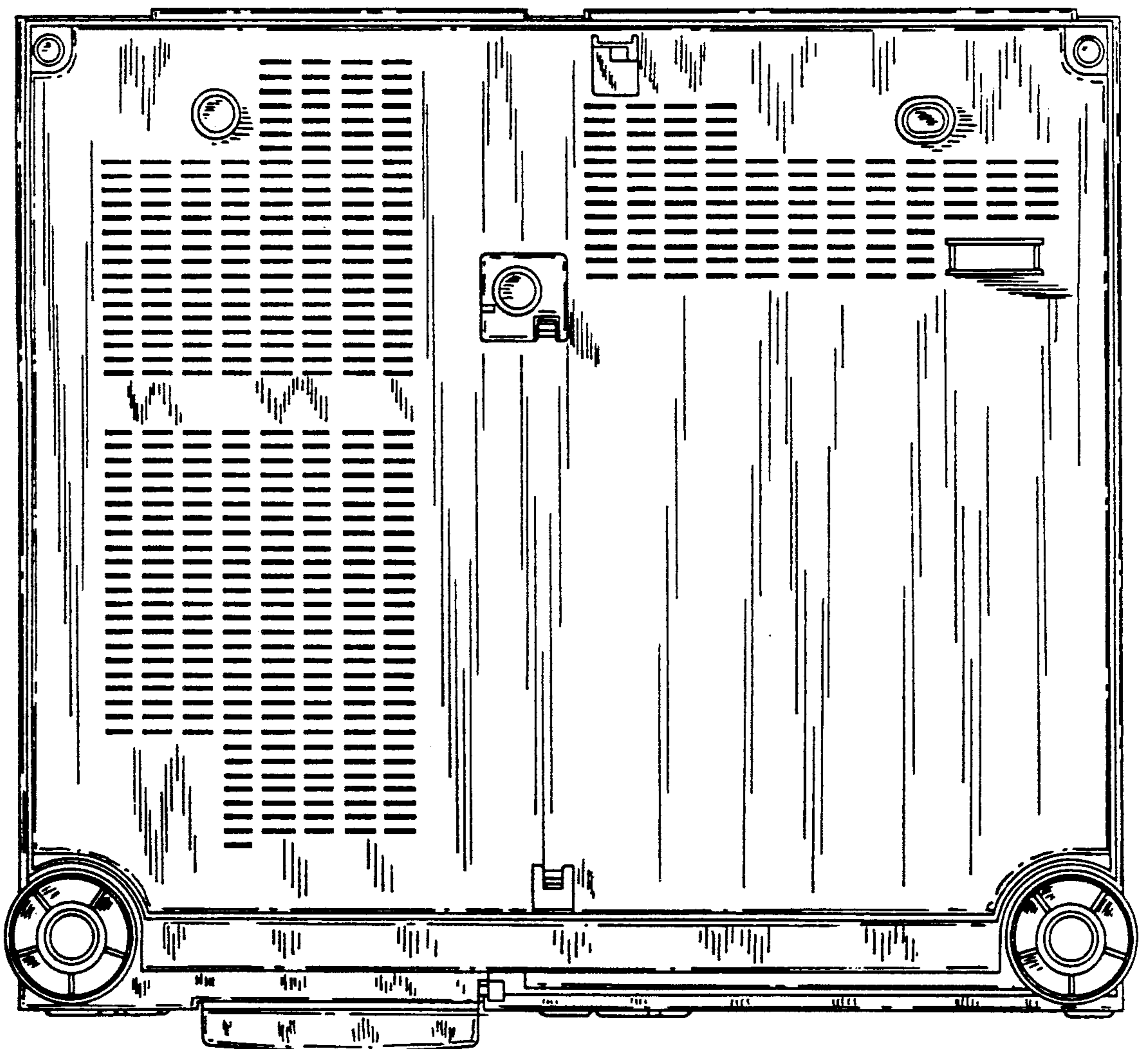


**FIG. 3**

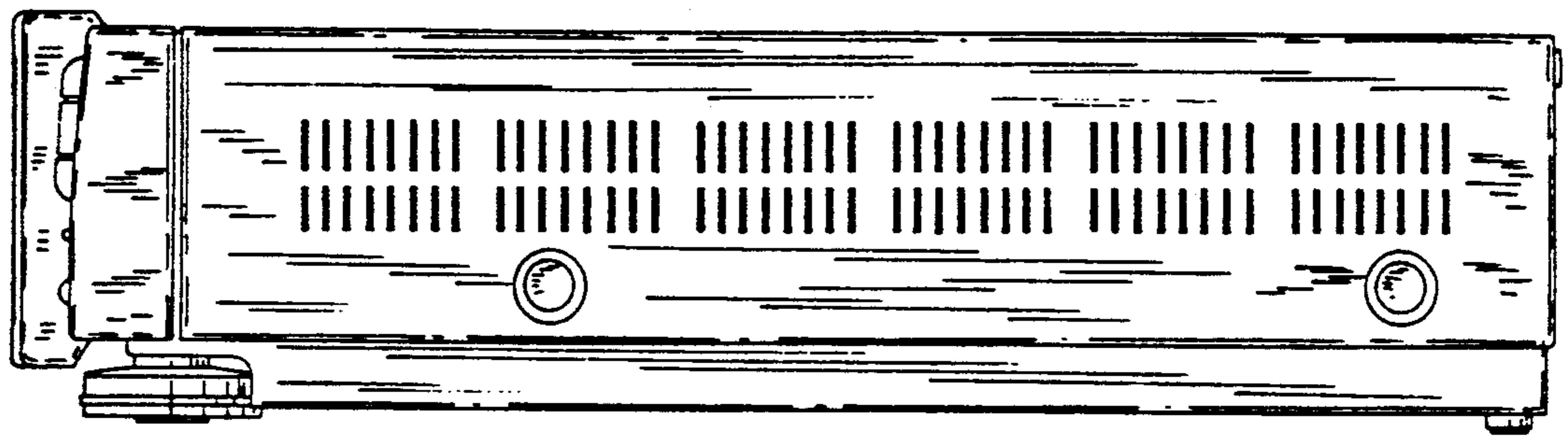




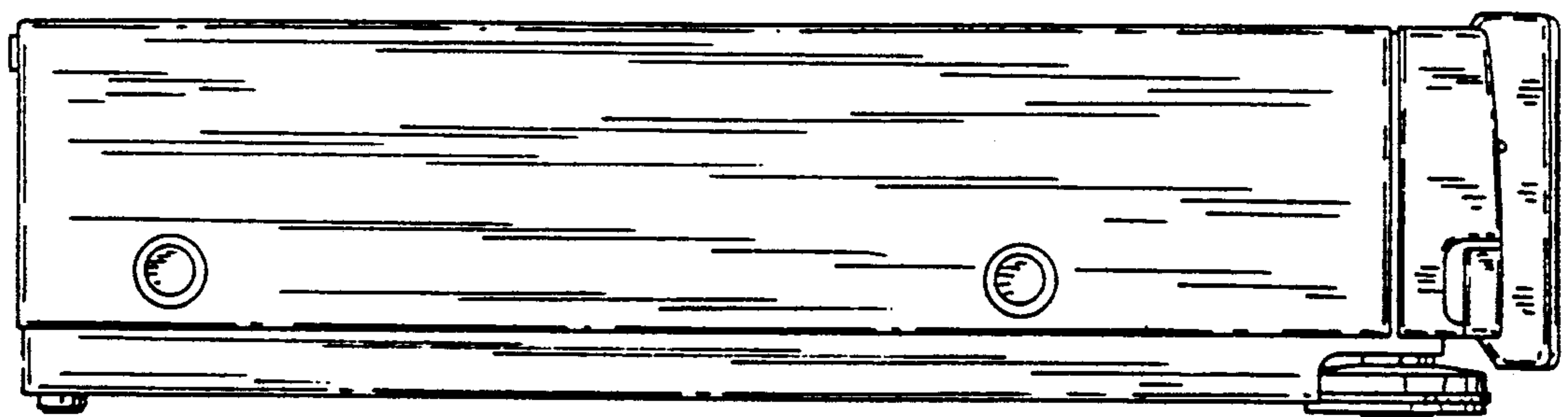
**FIG. 4**



**FIG. 5**



**FIG. 6**



**FIG. 7**