

[54] MULTIPLE BATTERY CHARGER

[75] Inventor: Masaaki Iino, Yokohama, Japan

[73] Assignee: Kabushiki Kaisha Toshiba,  
Kanagawa, Japan

[\*\*] Term: 14 Years

[21] Appl. No.: 344,854

[22] Filed: Apr. 28, 1989

[30] Foreign Application Priority Data

Dec. 6, 1988 [JP] Japan ..... 63-47381  
[52] U.S. Cl. .... D13/107  
[58] Field of Search ..... D13/107, 108, 109, 120,  
D13/184; D14/253, 100, 101, 107; 320/2, 3, 4,  
5

[56] References Cited

U.S. PATENT DOCUMENTS

D. 278,426 4/1985 Lanci et al. .... D13/107  
D. 278,703 5/1985 Chiodo et al. .... D13/5

OTHER PUBLICATIONS

Battery Chargers on p. 340, 386 of *Hong Kong Enterprise*, 11-87.

Multi-Pack Interface on p. 164 of *Radio Shack Catalog*, No. 406, 1987.

NEC Catalog—Extension Unit NEC PC-6011 published 10/28/82.

Primary Examiner—Susan J. Lucas  
Assistant Examiner—J. Sincavage  
Attorney, Agent, or Firm—Banner, Birch, McKie & Beckett

[57] CLAIM

The ornamental design for a multiple battery charger, as shown and described.

DESCRIPTION

FIG. 1 is a top, front and right side perspective view of a multiple battery charger showing my new design.

FIG. 2 is a front elevational view thereof,

FIG. 3 is a rear elevational view thereof,

FIG. 4 is a top plan view thereof,

FIG. 5 is a bottom plan view thereof,

FIG. 6 is a left side elevational view thereof, the right side elevational view thereof being a mirror image;

FIG. 7 is a top, front and right side perspective view thereof with three batteries in the charging position. The broken line showing of the batteries is included for the purpose of illustrating environmental elements only and forms no part of the claimed design;

FIG. 8 is a cross-sectional view taken along line 8—8 of FIG. 2.

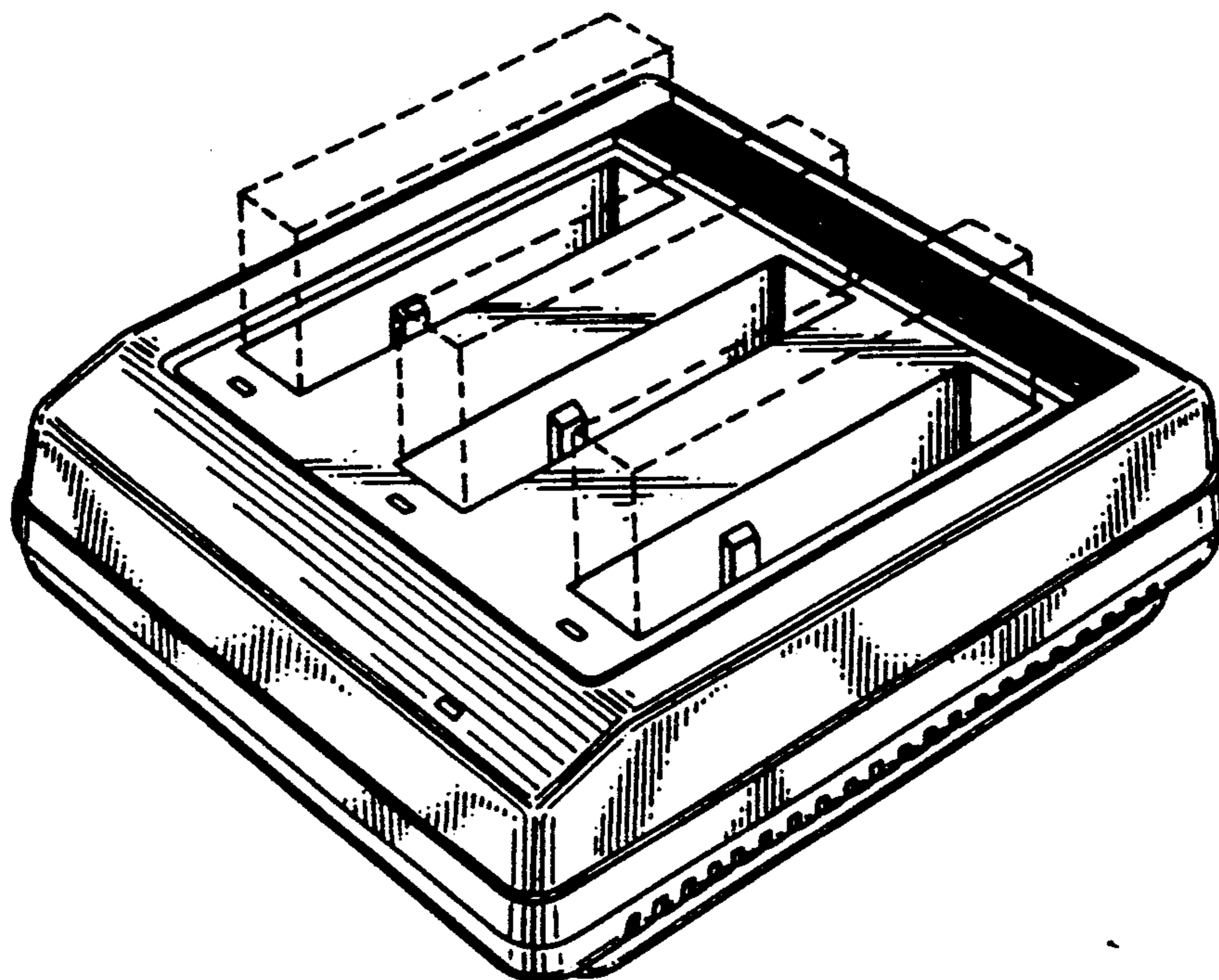


FIG. 1

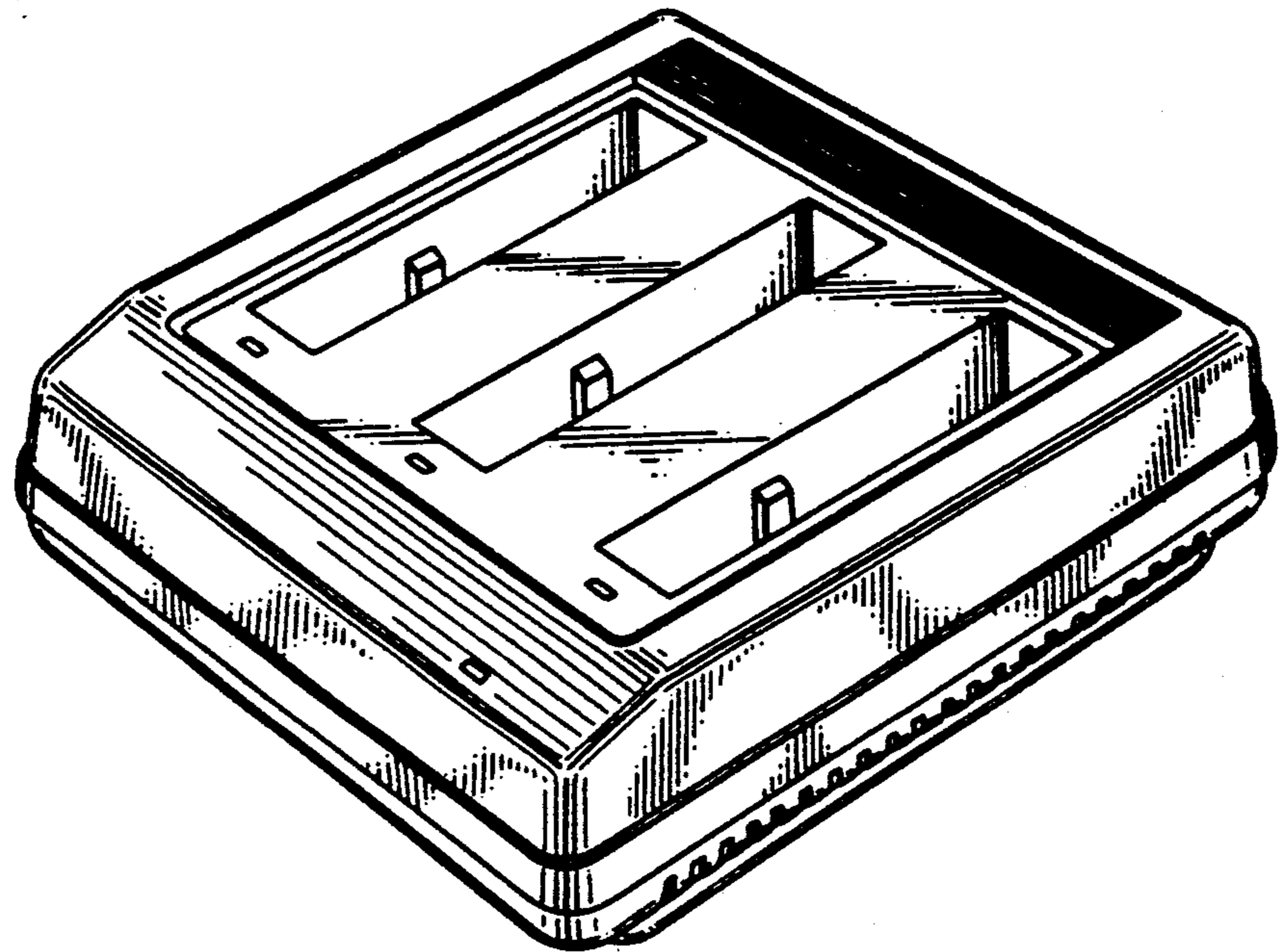


FIG. 2

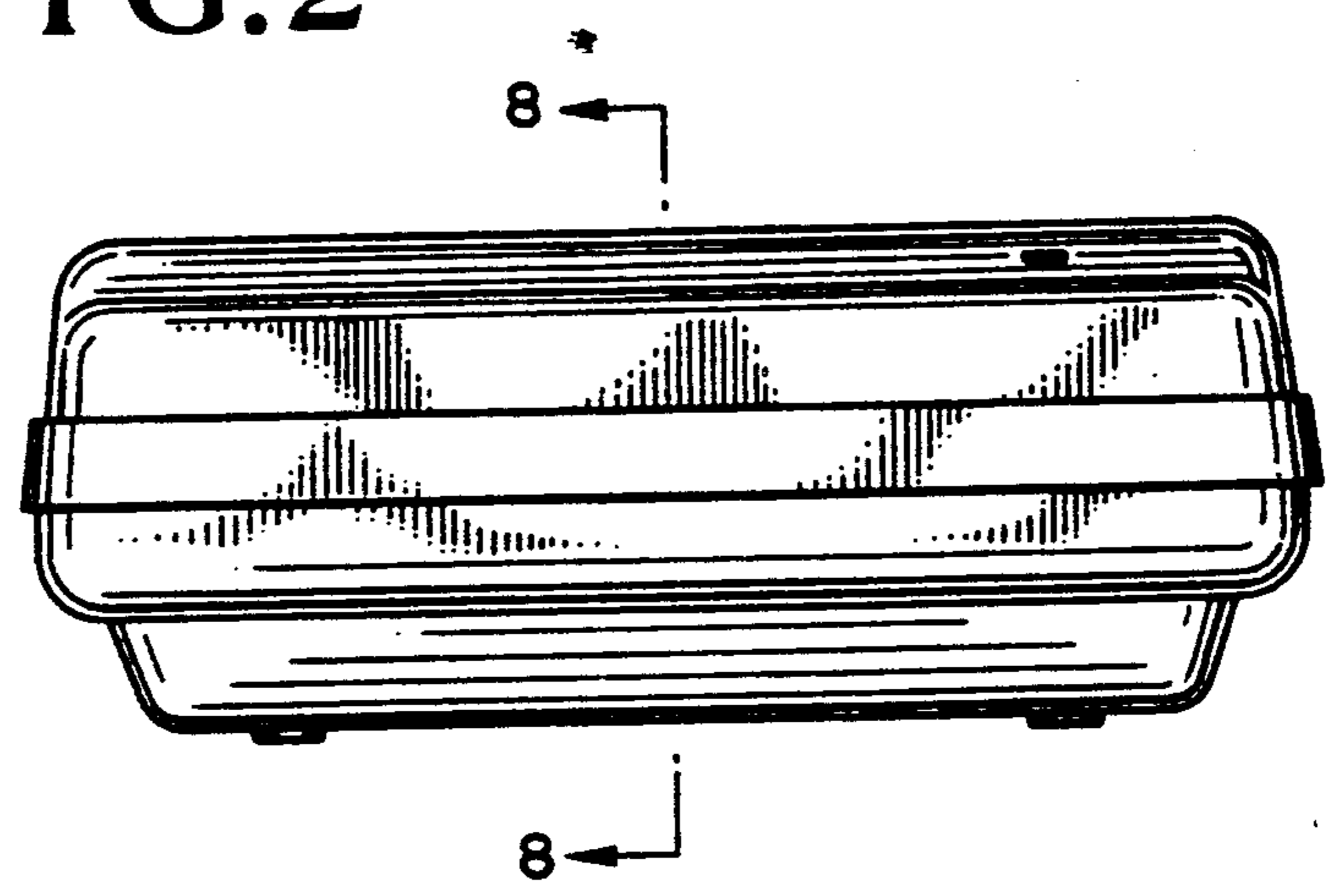


FIG. 3

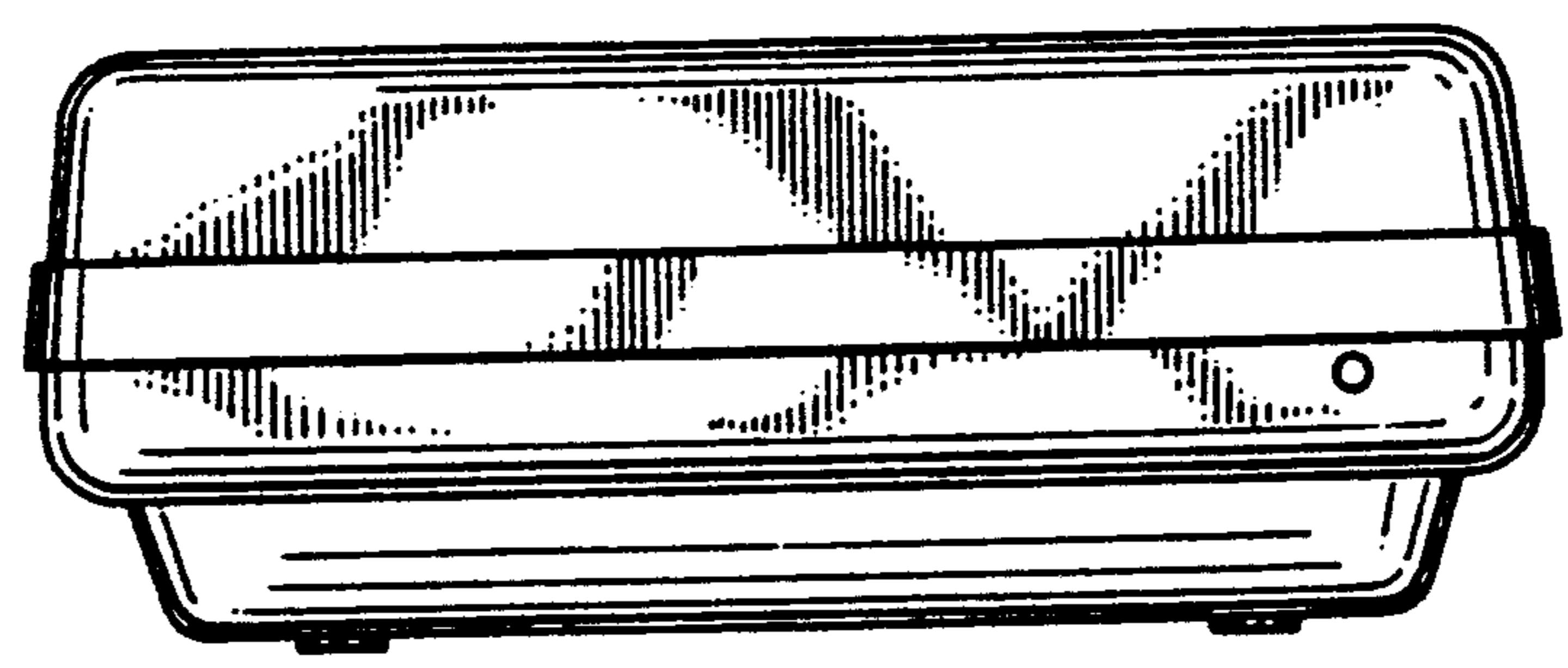


FIG.4

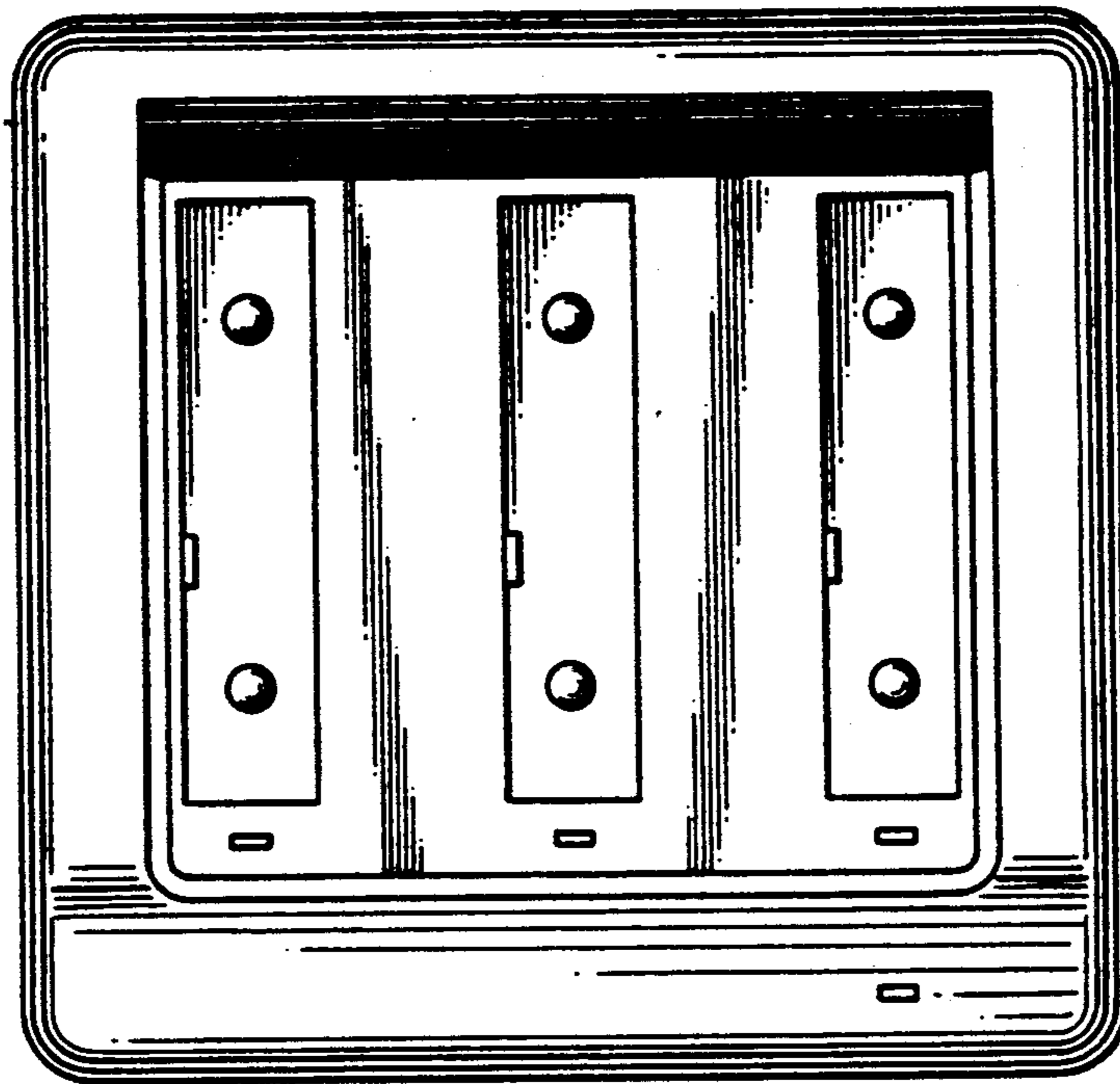


FIG.5

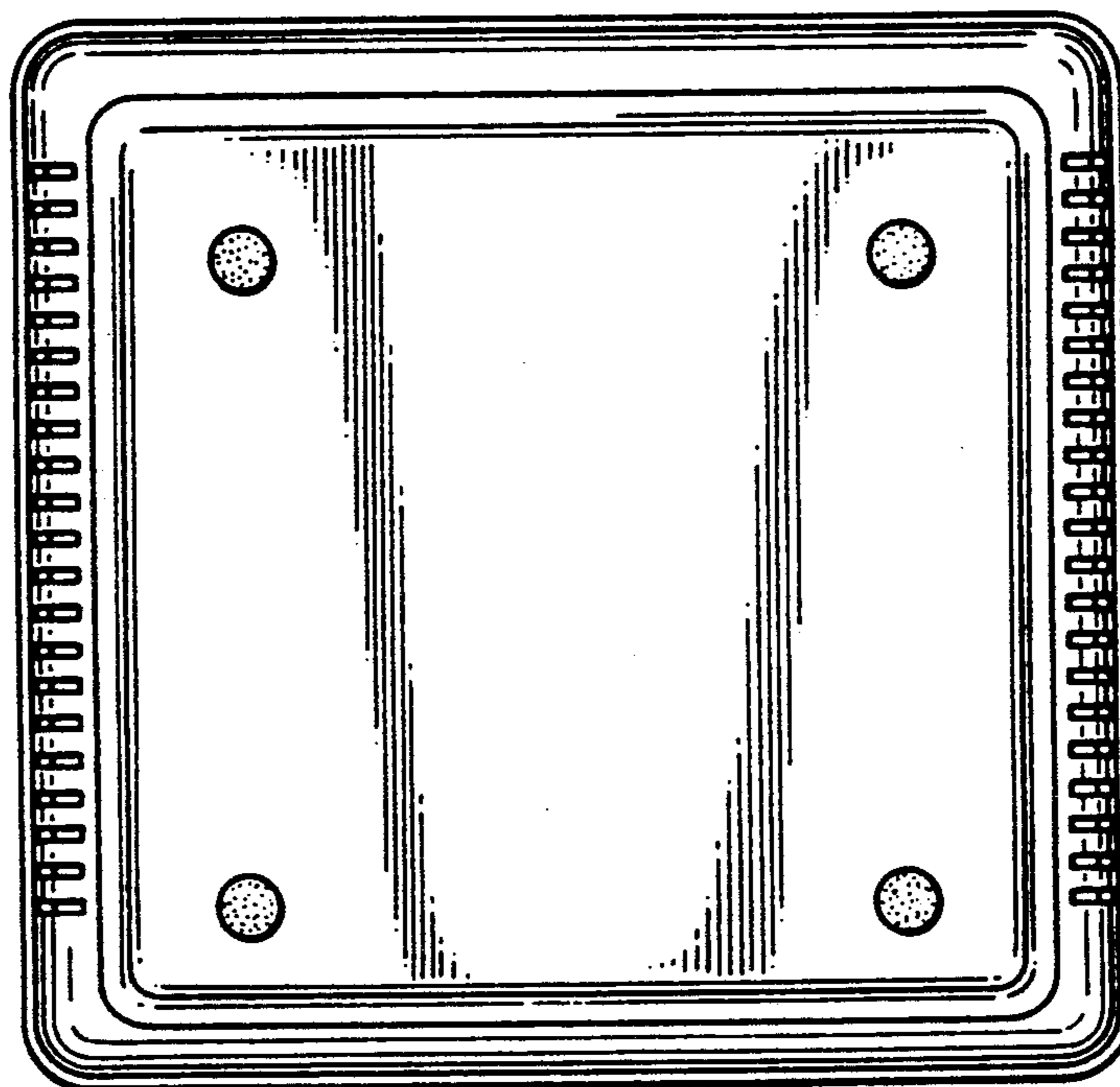


FIG.6

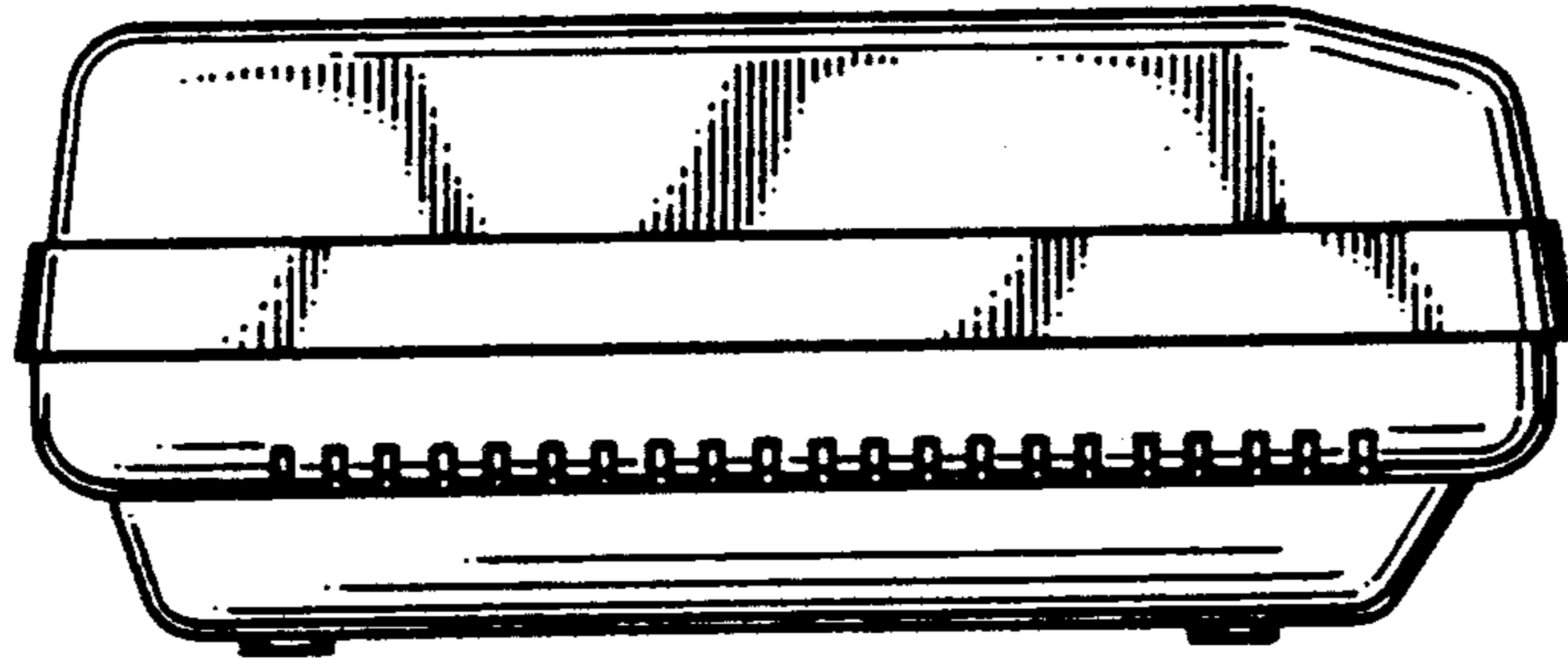


FIG.7

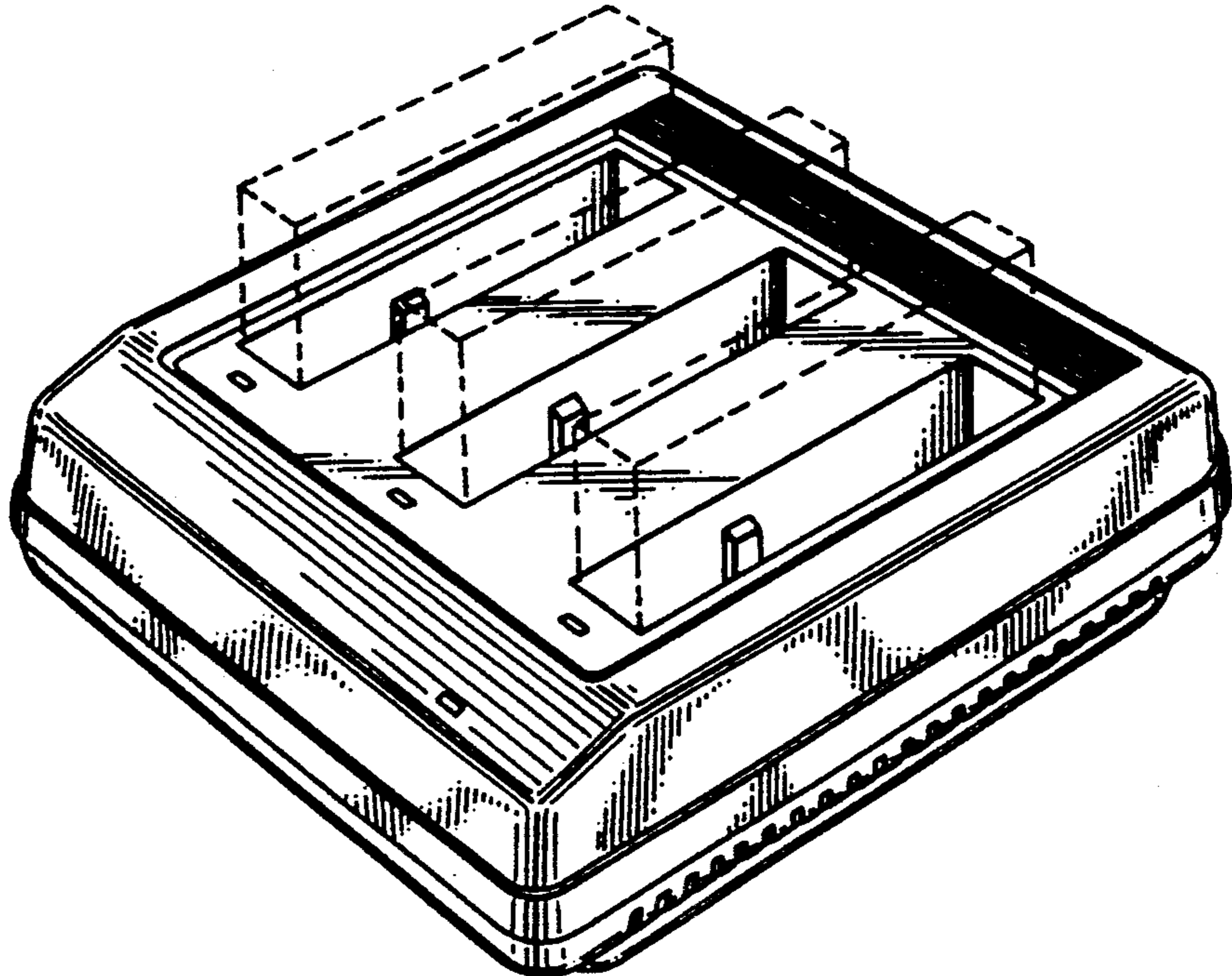


FIG.8

