

United States Patent [19]

Bradley

[11] Patent Number: **Des. 322,053**

[45] Date of Patent: **** Dec. 3, 1991**

[54] **AEROFOIL FOR A WINDSCREEN WIPER ARM**

[76] Inventor: **John M. Bradley**, Leighton House,
37 Leighton Street, Woburn,
Bedfordshire MK17 9PH, United
Kingdom

[**] Term: **14 Years**

[21] Appl. No.: **521,165**

[22] Filed: **May 9, 1990**

[52] U.S. Cl. **D12/155; D12/181**

[58] **Field of Search** **D12/155, 181;**
296/180.1; 15/250.2, 250.35, 250.36, 250.38,
250.41, 250.42

[56] **References Cited**

U.S. PATENT DOCUMENTS

D. 296,317 6/1988 Mower et al. D12/155
3,350,738 11/1967 Anderson D12/155
4,570,284 2/1986 Verton 15/250.36

4,590,638 5/1986 Beneteau 15/250.36

FOREIGN PATENT DOCUMENTS

1035798 7/1966 United Kingdom 15/250.42

OTHER PUBLICATIONS

J. C. Whitney Catalog No. 505m, ©1989, p. 114, Wind-
shield Wiper Wings, bottom left center of page.

Primary Examiner—James M. Gandy
Attorney, Agent, or Firm—Welsh & Katz, Ltd.

[57] **CLAIM**

The ornamental design for an aerofoil for a windscreen
wiper arm, as shown.

DESCRIPTION

FIG. 1 is a perspective from above, one side and one
end of an aerofoil for a windscreen wiper arm;
FIG. 2 is a perspective view from below, other side and
other end of the aerofoil of FIG. 1; and
FIG. 3 is an enlarged sectional view taken along line
3—3 in FIG. 1.

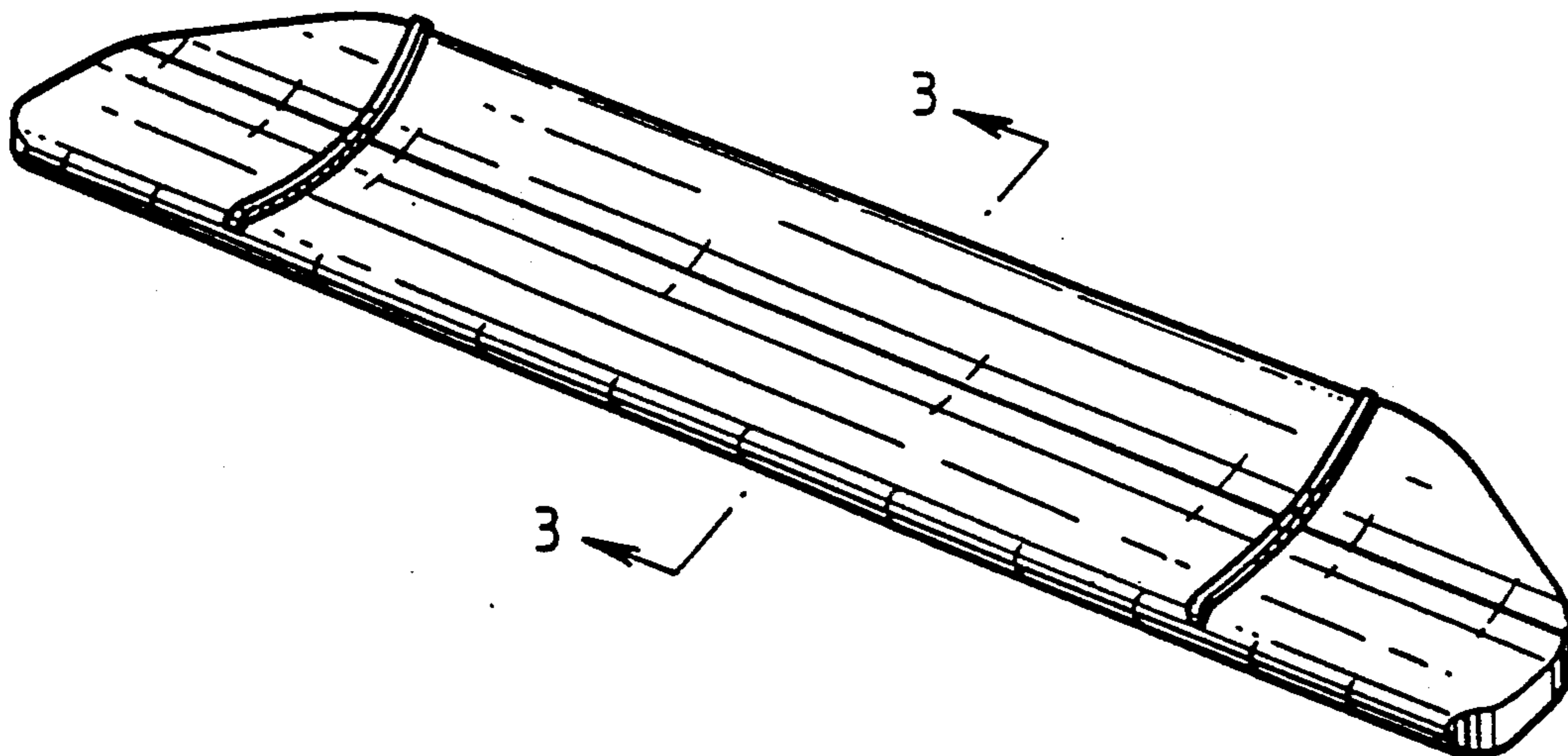


FIG. 1

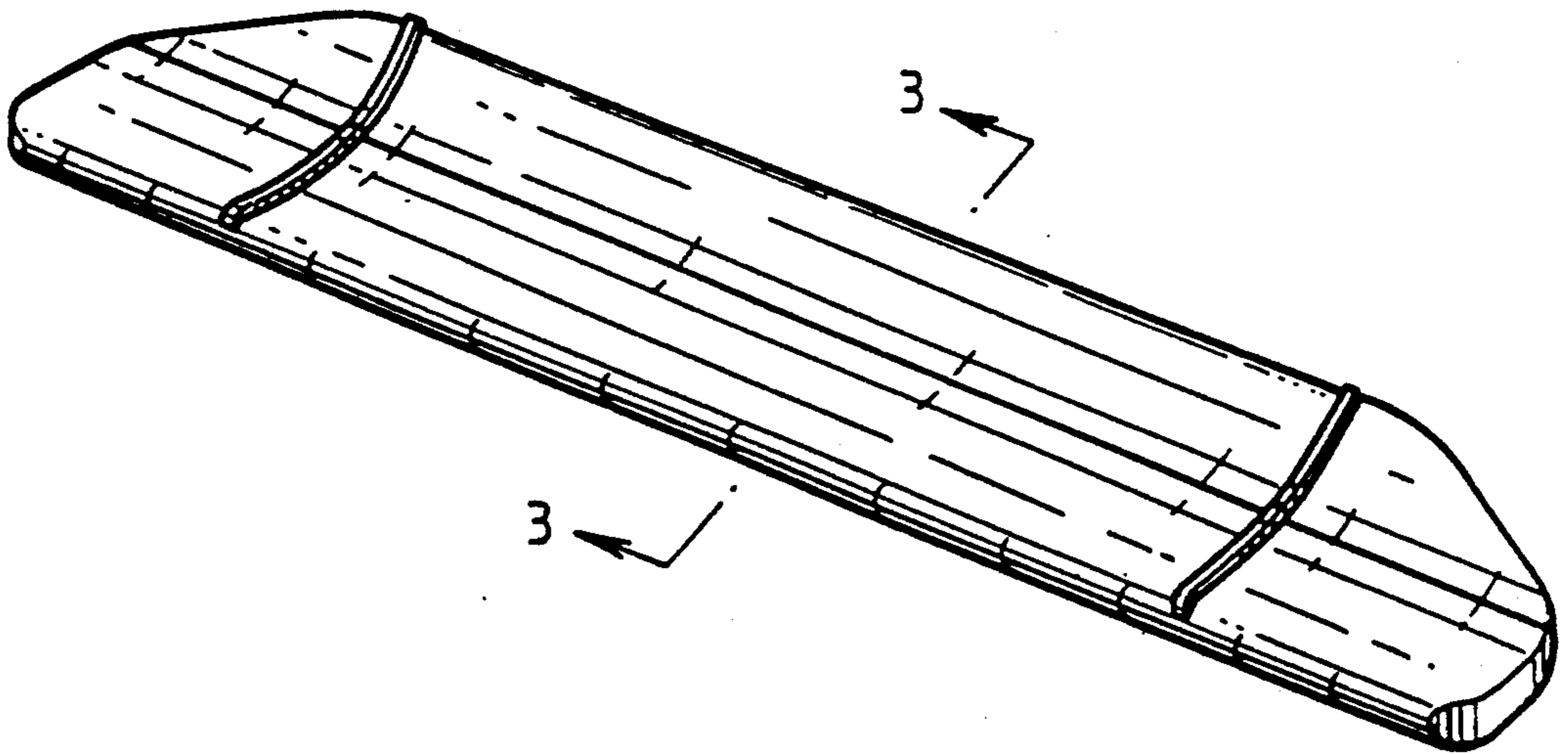


FIG. 2

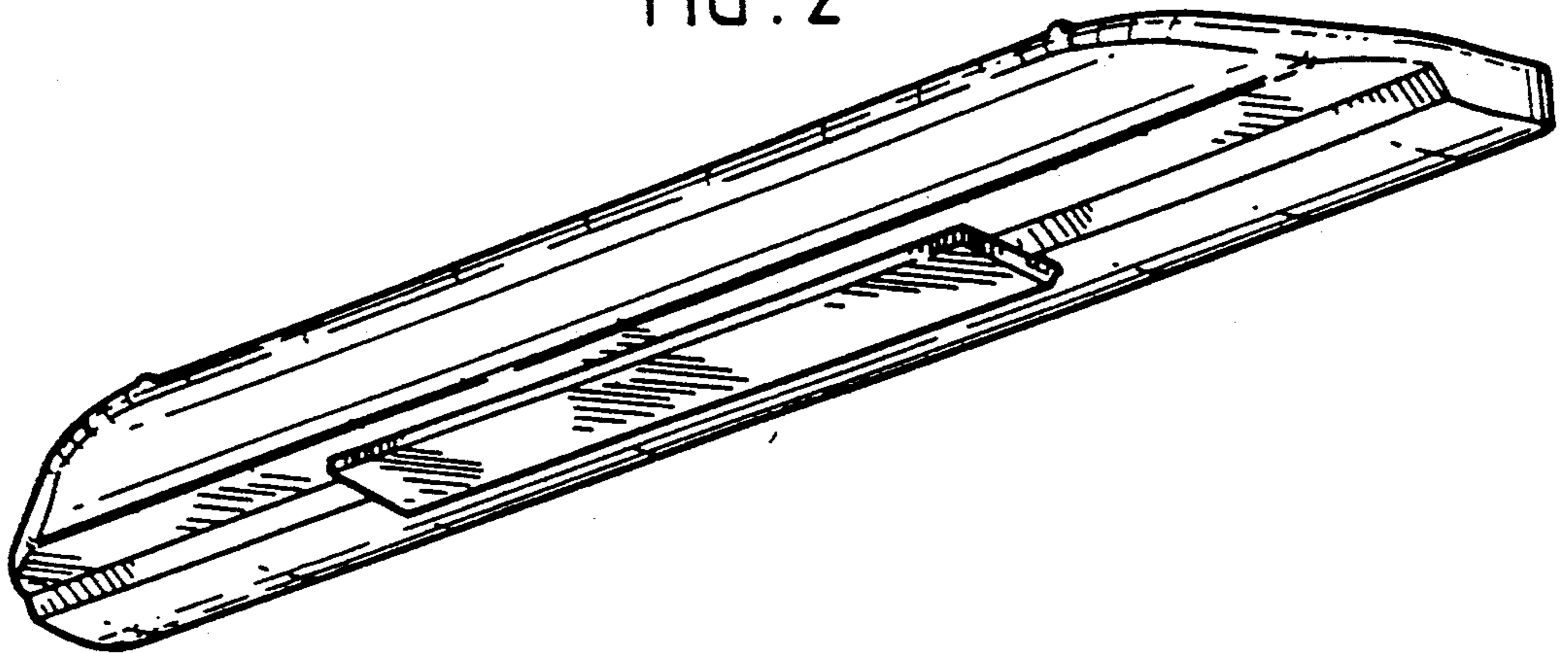


FIG. 3

