

# United States Patent [19]

Kataoka et al.

[11] Patent Number: Des. 322,051

[45] Date of Patent: \*\* Dec. 3, 1991

## [54] MOTORIZED FOUR WHEEL VEHICLE

[75] Inventors: Tetsuro Kataoka, Kawagoe; Masato Yonai, Tokyo, both of Japan

[73] Assignee: Honda Access Corp., Saitama, Japan

[\*] Notice: The portion of the term of this patent subsequent to Dec. 3, 2005 has been disclaimed.

[\*\*] Term: 14 Years

[21] Appl. No.: 435,582

[22] Filed: Nov. 13, 1989

[52] U.S. Cl. .... D12/1; D12/131

[58] Field of Search ..... D12/1, 131;  
180/DIG. 907, 216, DIG. 908

## [56] References Cited

### U.S. PATENT DOCUMENTS

3,952,822	4/1976	Udden et al. ....	180/907
4,452,327	6/1984	Mowat et al. ....	180/907
4,729,447	3/1988	Morse .....	180/907
4,798,255	1/1989	Wu .....	180/907
4,909,525	3/1990	Flowers .....	170/908

## FOREIGN PATENT DOCUMENTS

230619 5/1971 United Kingdom ..... 180/907

## OTHER PUBLICATIONS

New Equipment Digest, Jun. 1973, p. 19, Compact Electric Car.

*Primary Examiner*—Wallace R. Burke

*Assistant Examiner*—Melody Brown

*Attorney, Agent, or Firm*—Kane, Dalsimer, Sullivan, Kurucz, Levy, Eisele and Richard

## [57] CLAIM

The ornamental design for a motorized four wheel vehicle, as shown.

## DESCRIPTION

FIG. 1 is a perspective view of a motorized four wheel vehicle showing our new design;

FIG. 2 is a right side elevation view thereof;

FIG. 3 is a left side elevation view thereof;

FIG. 4 is a front elevation view thereof;

FIG. 5 is a rear elevation view thereof;

FIG. 6 is a top plan view thereof; and

FIG. 7 is a bottom plan view thereof.



FIG. 1

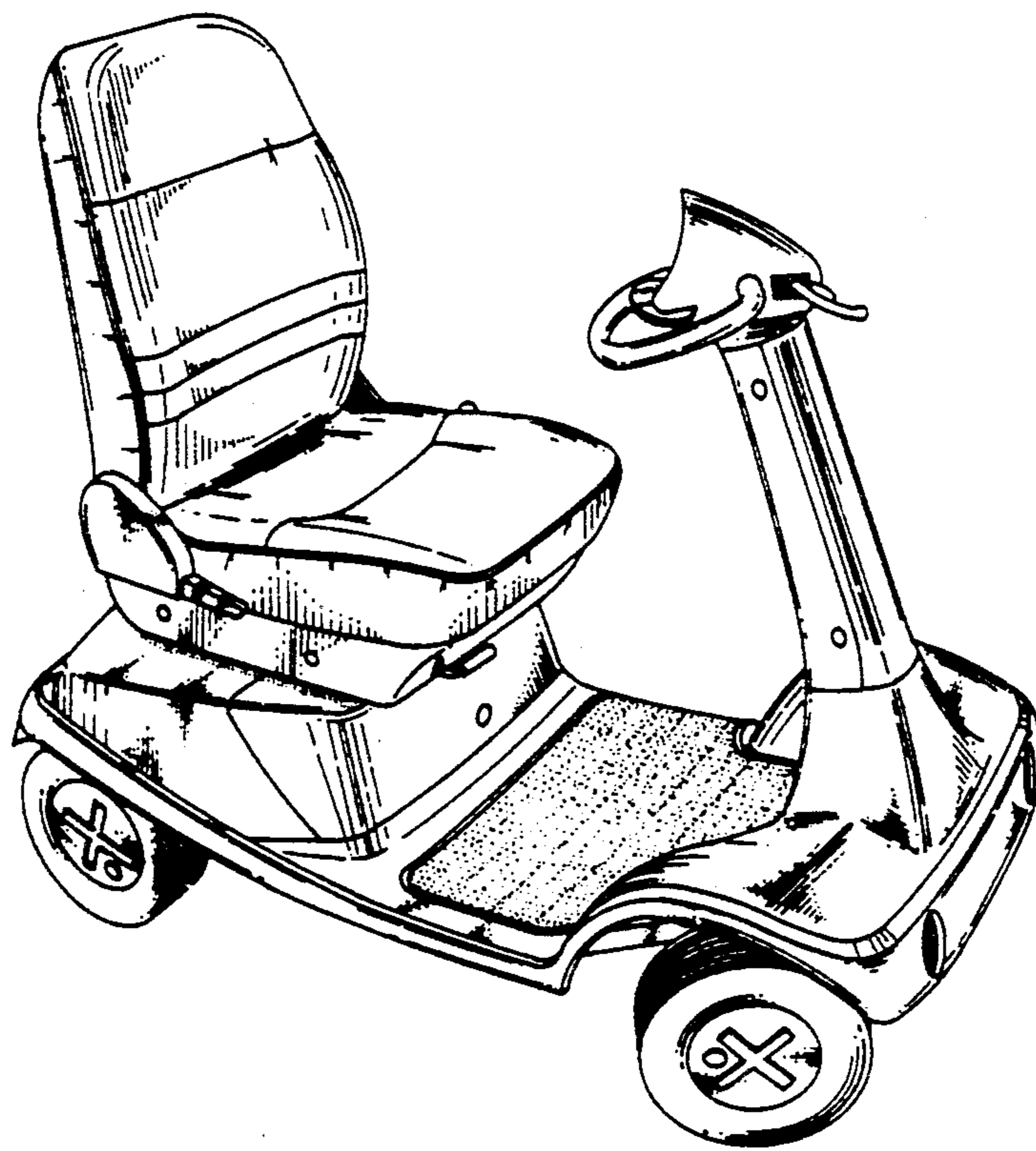


FIG. 2

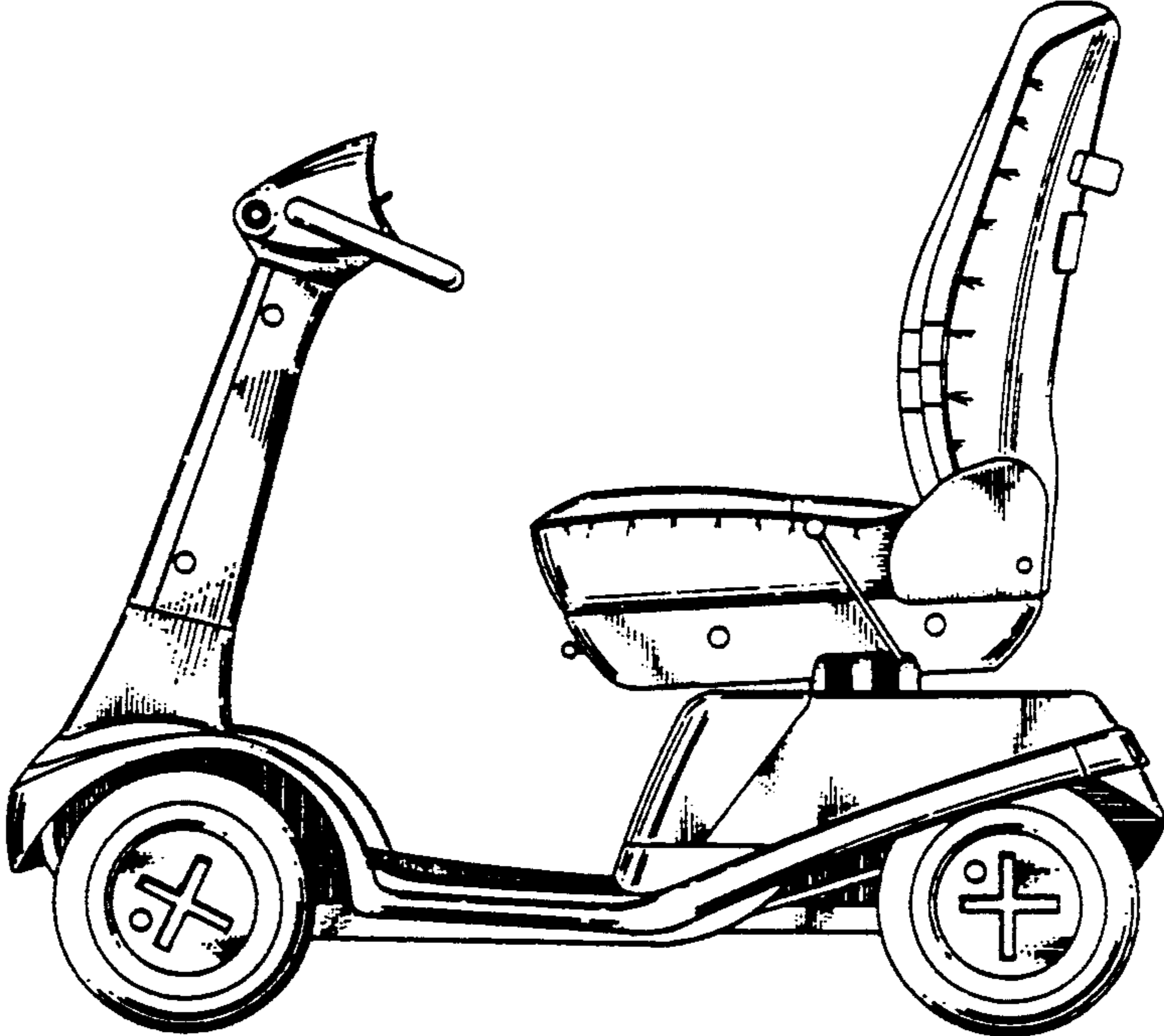


FIG. 3

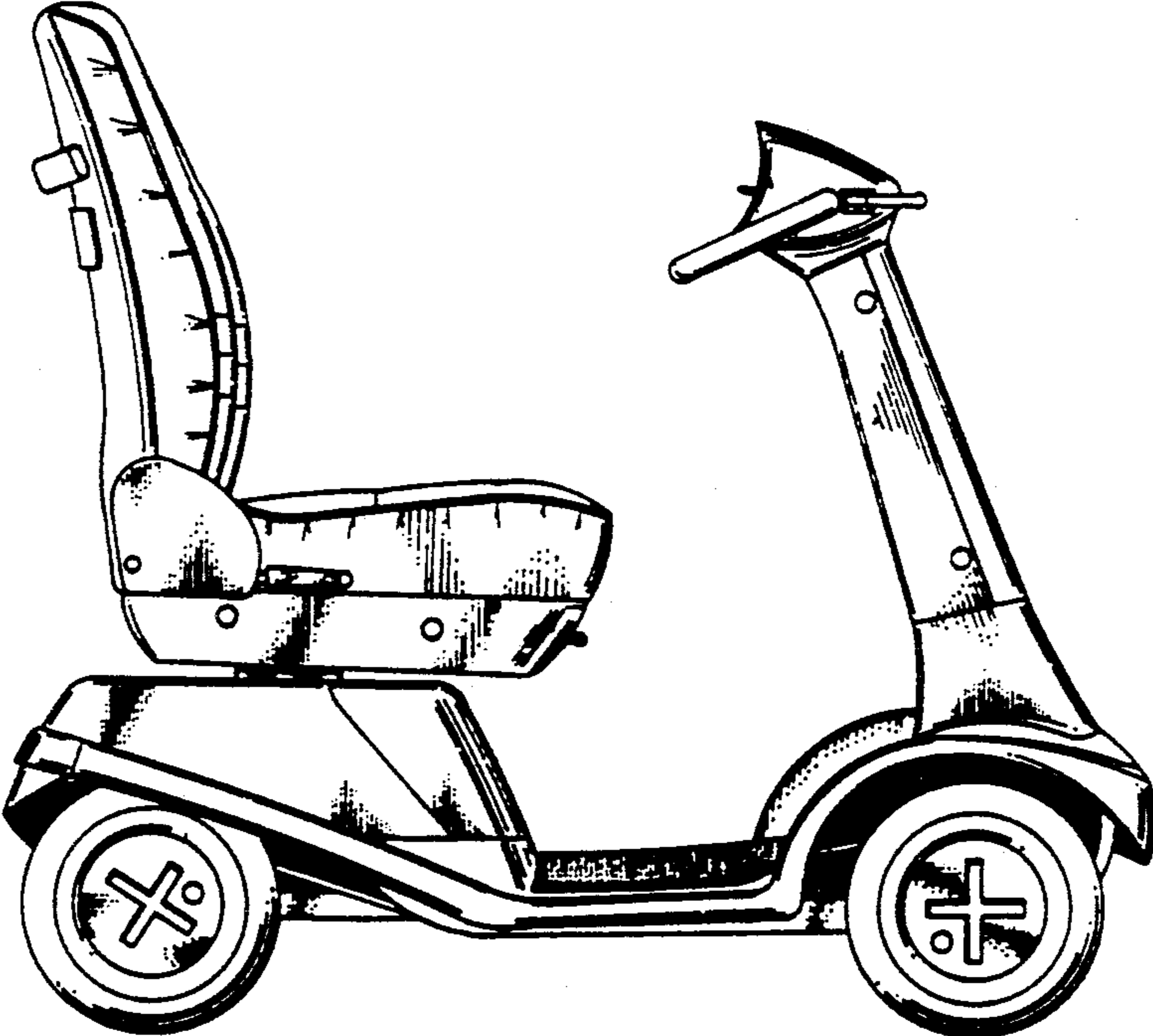


FIG. 5

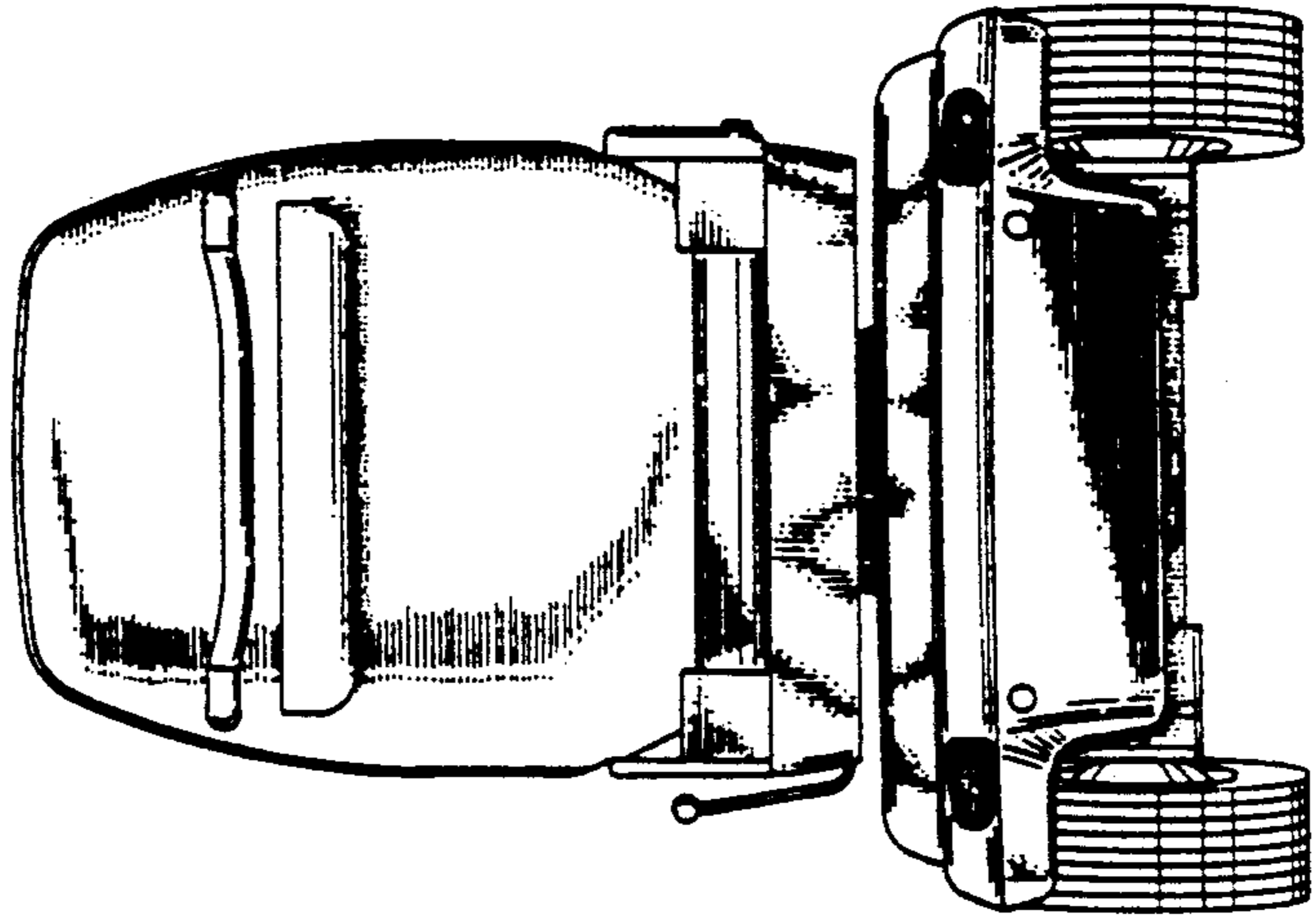


FIG. 4

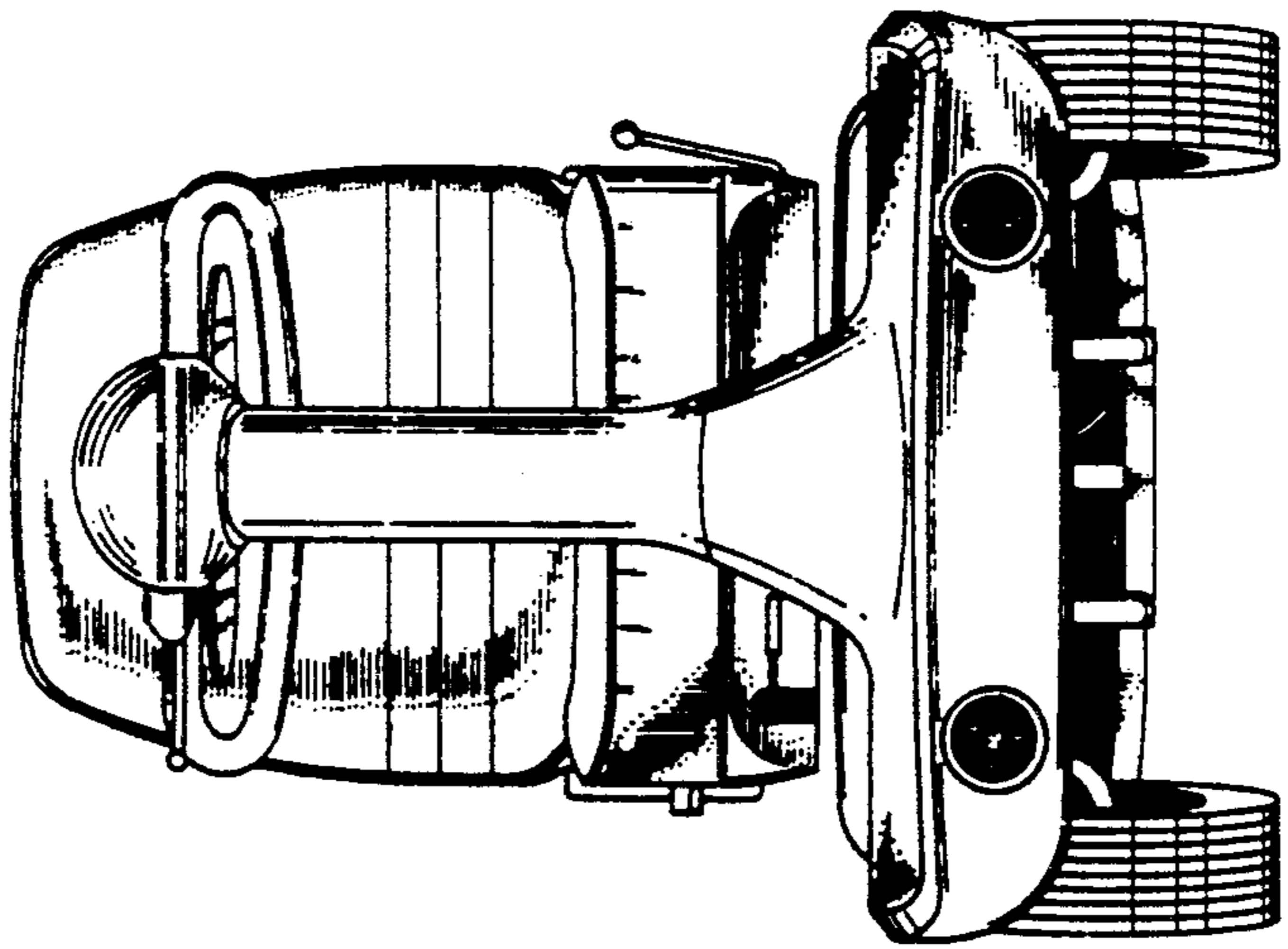


FIG. 7

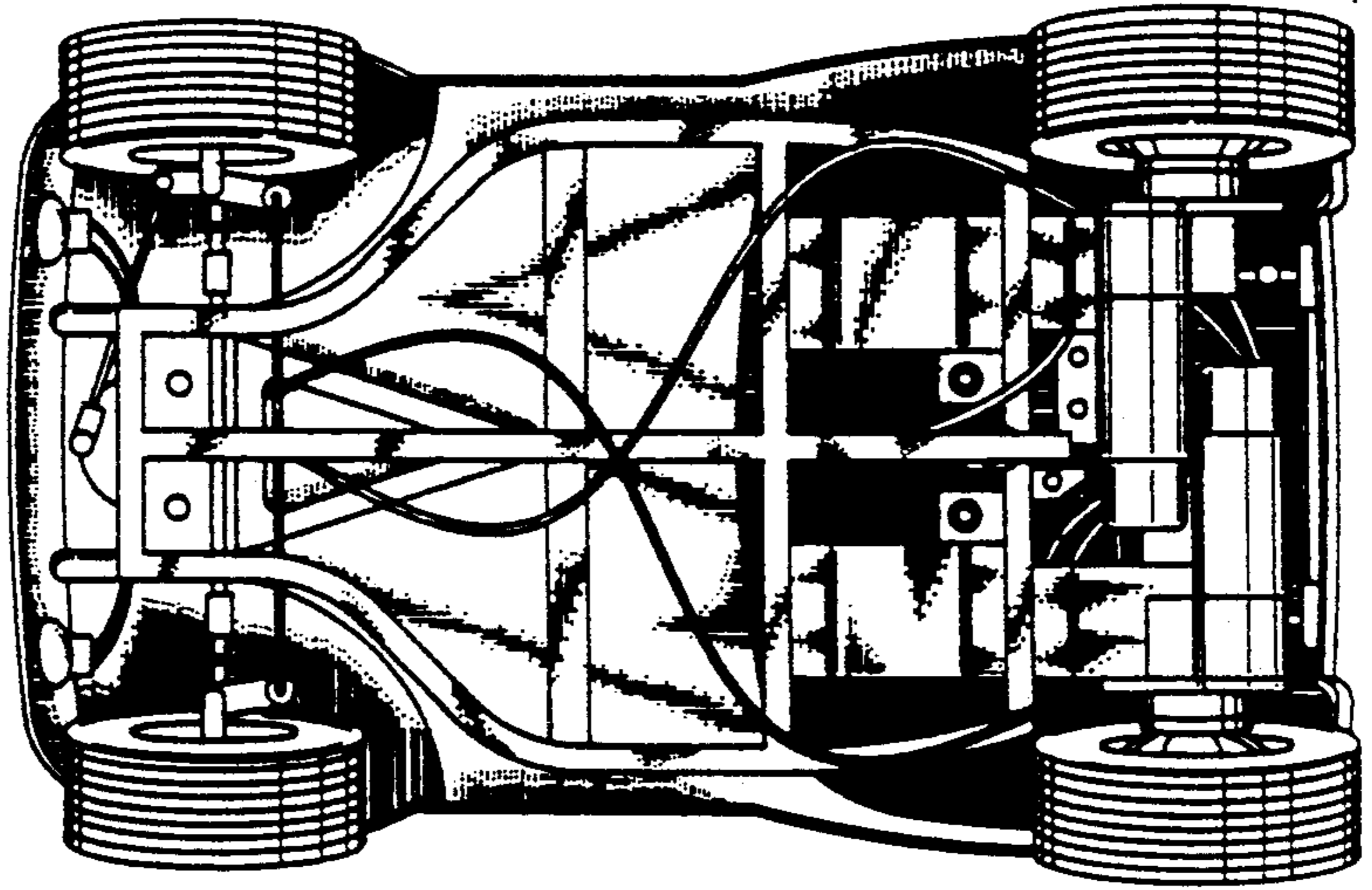


FIG. 6

