

[54] ARTICULATED THREE WHEEL VEHICLE

[75] Inventors: Trevor D. Doman, Wolverhampton; John R. Buttery, Newport; Royston M. Gould, Warley, both of United Kingdom

[73] Assignee: Sunrise Medical Limited, Brierley Hill, England

[**] Term: 14 Years

[21] Appl. No.: 225,701

[22] Filed: Jul. 28, 1988

[52] U.S. Cl. D12/85

[58] Field of Search D12/85, 131; 180/211, 180/214, 215, 216, 217

[56] References Cited

U.S. PATENT DOCUMENTS

D. 220,835	6/1971	Thieme	D12/85
D. 269,960	8/1983	Cosper	D12/85
D. 285,671	9/1986	Thieme et al.	D12/85
D. 303,101	8/1989	Shepard et al.	D12/85
4,570,739	2/1986	Kramer	180/216
4,729,447	3/1988	Morse	180/214

OTHER PUBLICATIONS

Burke Inc., Flyer, 1985, Scout Battery Operated 3--Wheel Vehicle.

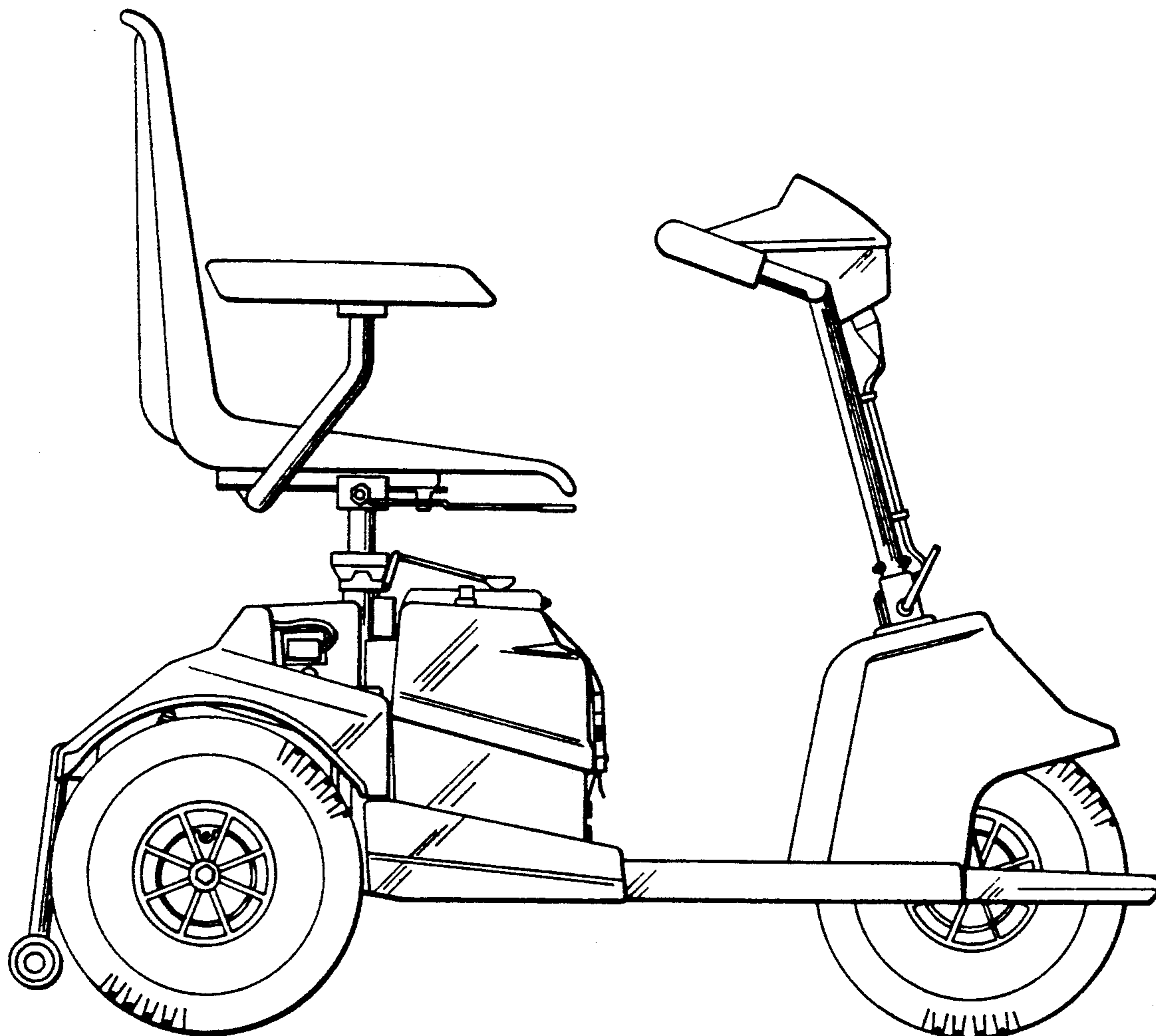
Primary Examiner—James M. Gandy
Assistant Examiner—Melody Brown
Attorney, Agent, or Firm—Spensley Horn Jubas & Lubitz

[57] CLAIM

The ornamental design for an articulated three wheel vehicle, as shown.

DESCRIPTION

FIG. 1 is a right side elevation view of an articulated three wheel vehicle showing our new design; FIG. 2 is a left side elevation view thereof; FIG. 3 is a front elevation view thereof; FIG. 4 is a rear elevation view thereof; FIG. 5 is a bottom plan view thereof; FIG. 6 is a top plan view thereof with the seat, handlebar and associated parts omitted for clarity of illustrations; and FIG. 7 is a top plan view thereof.



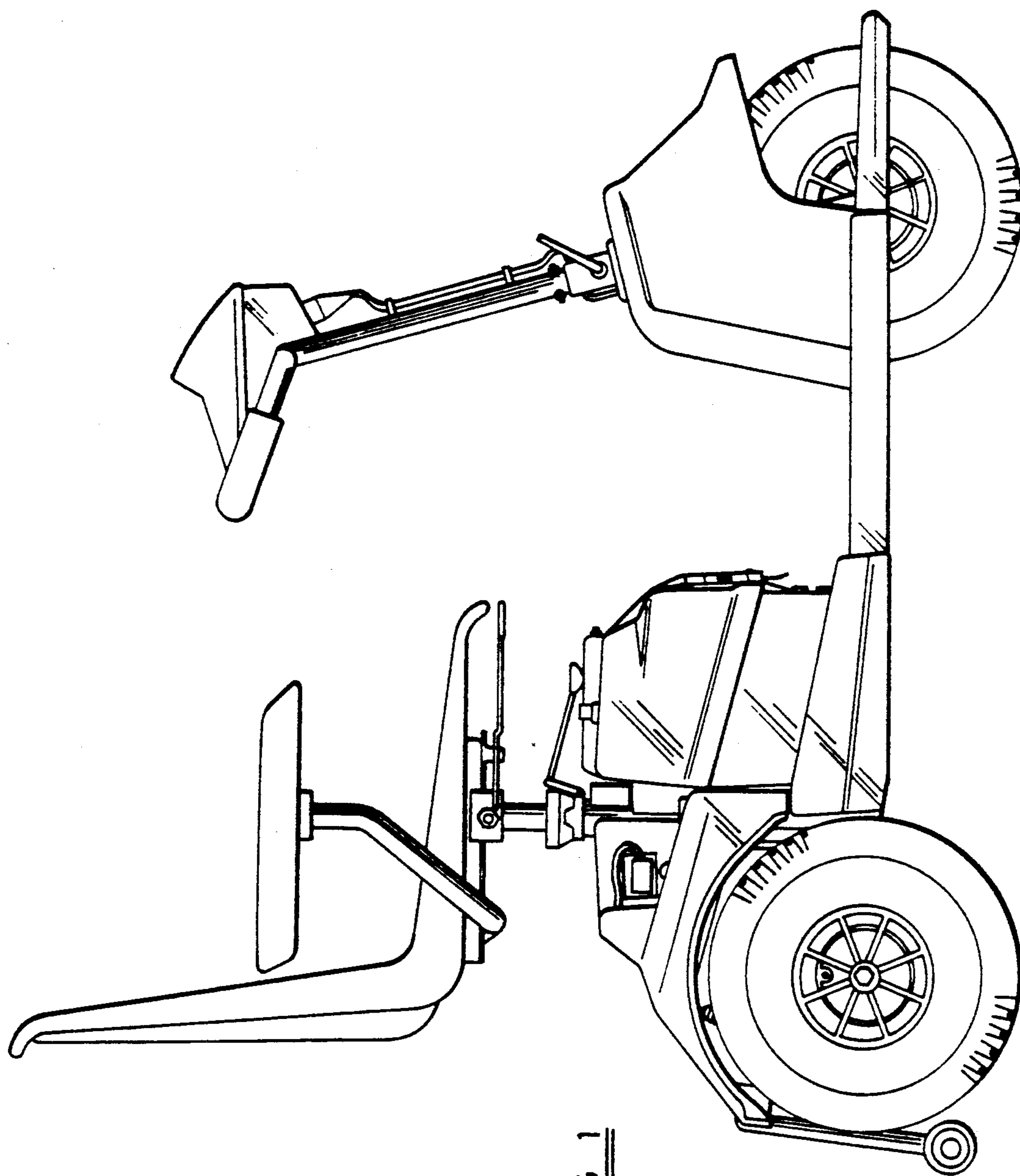


FIG 1

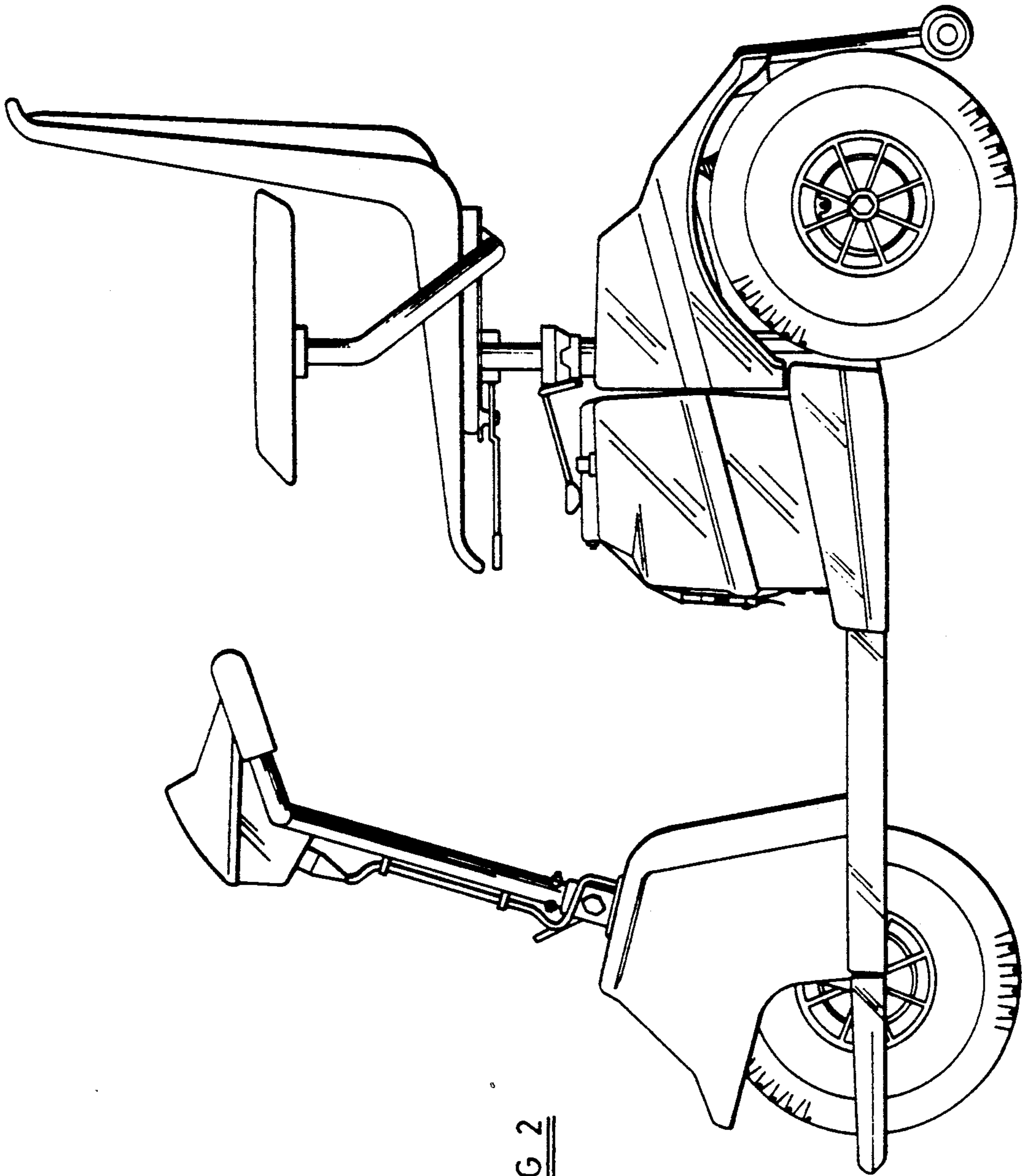


FIG 2

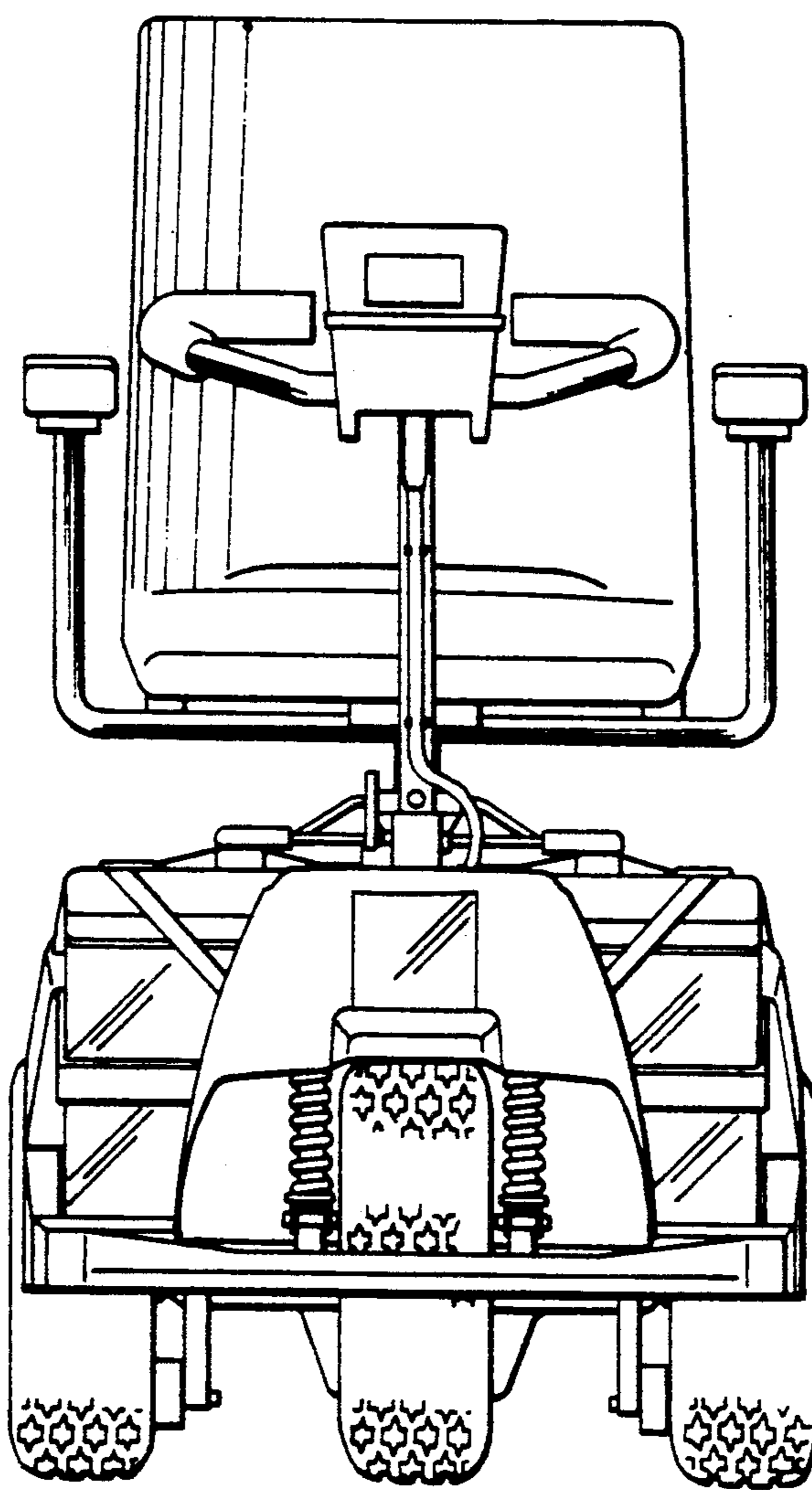


FIG 3

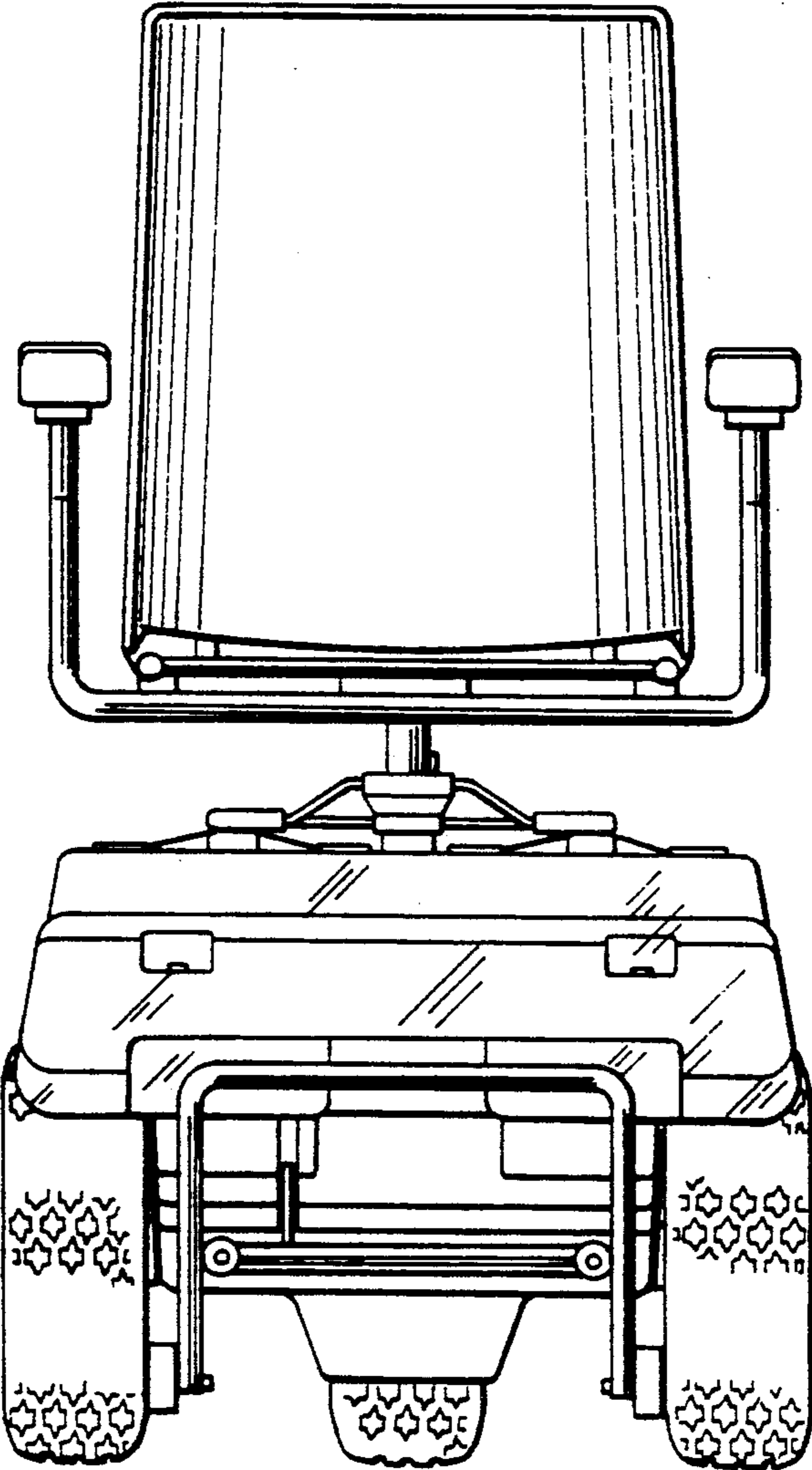


FIG 4

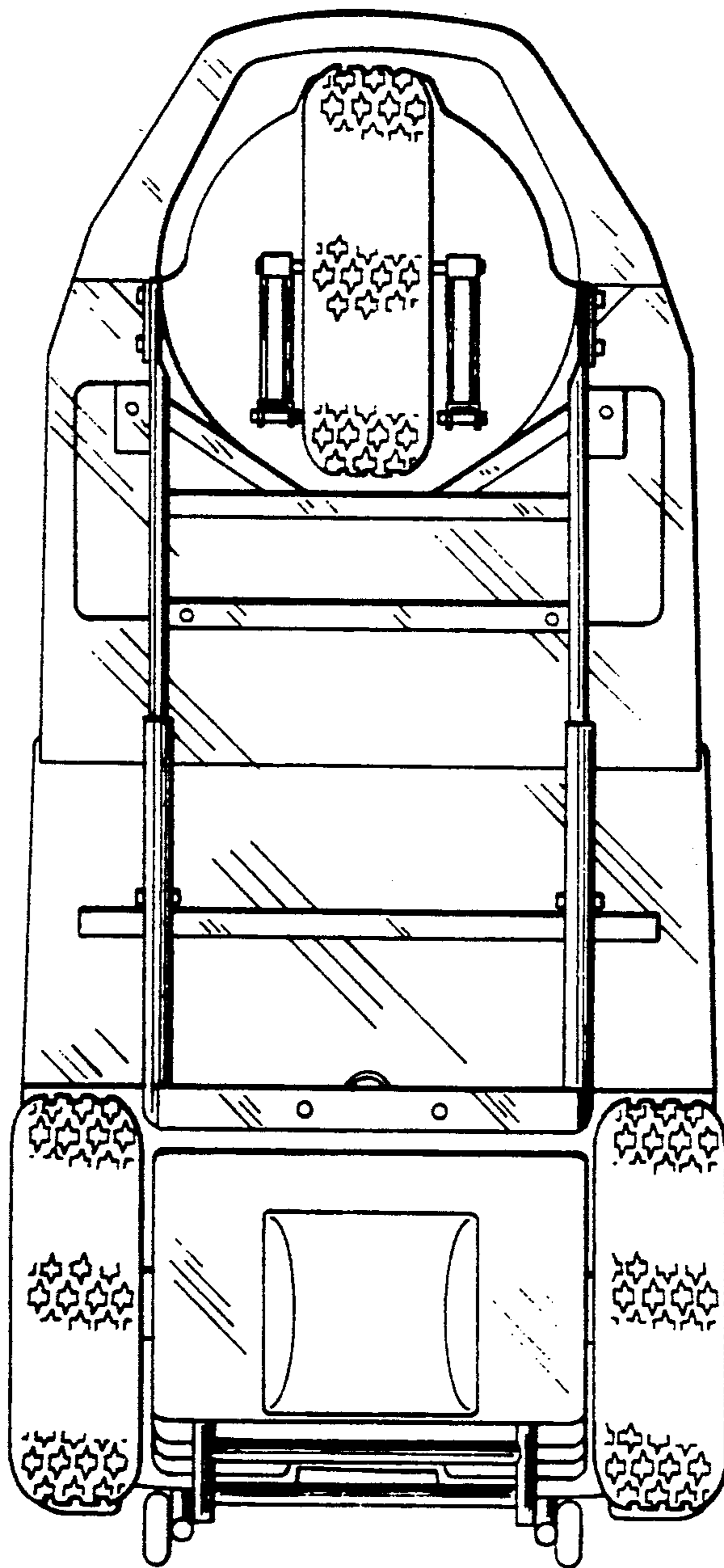


FIG 5

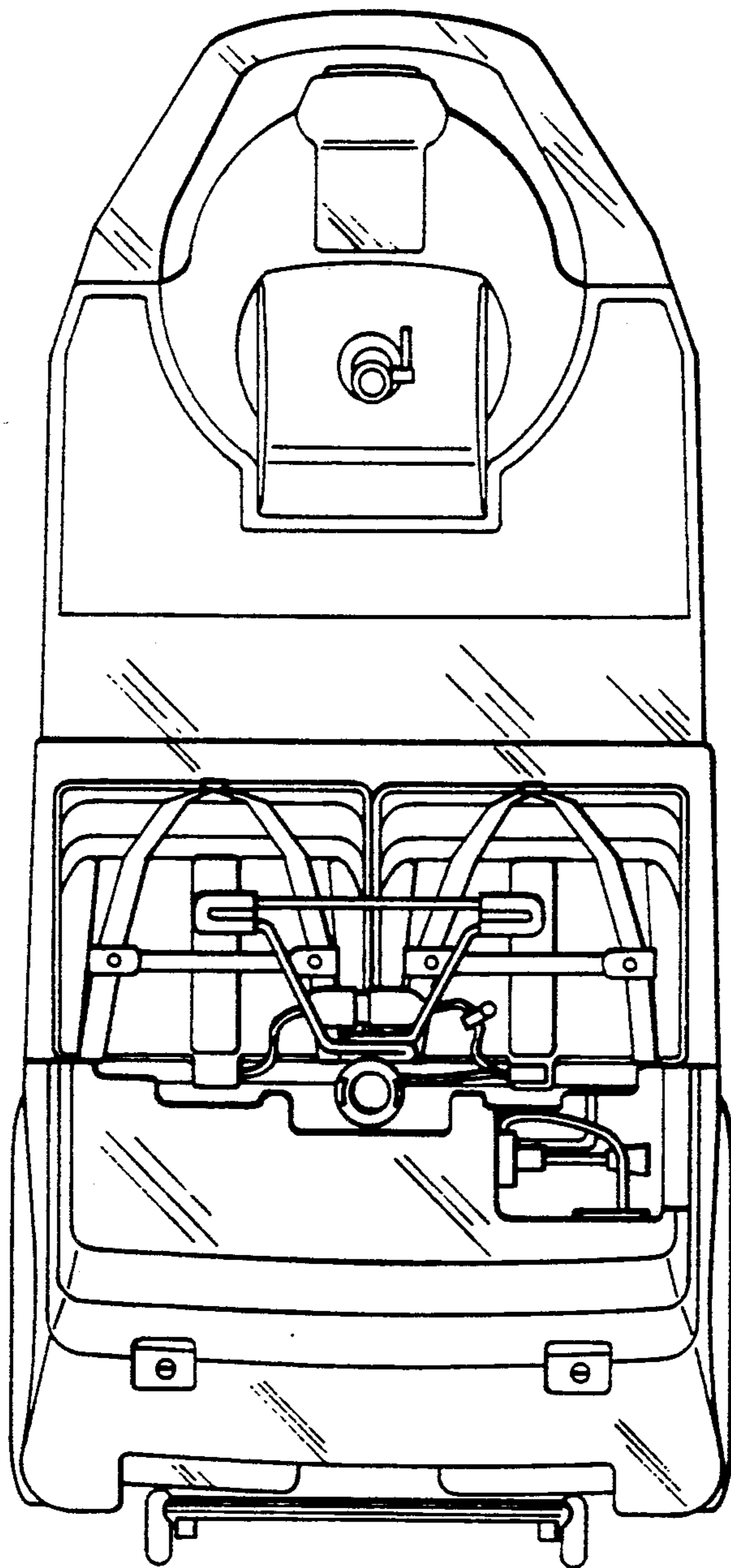


FIG 6

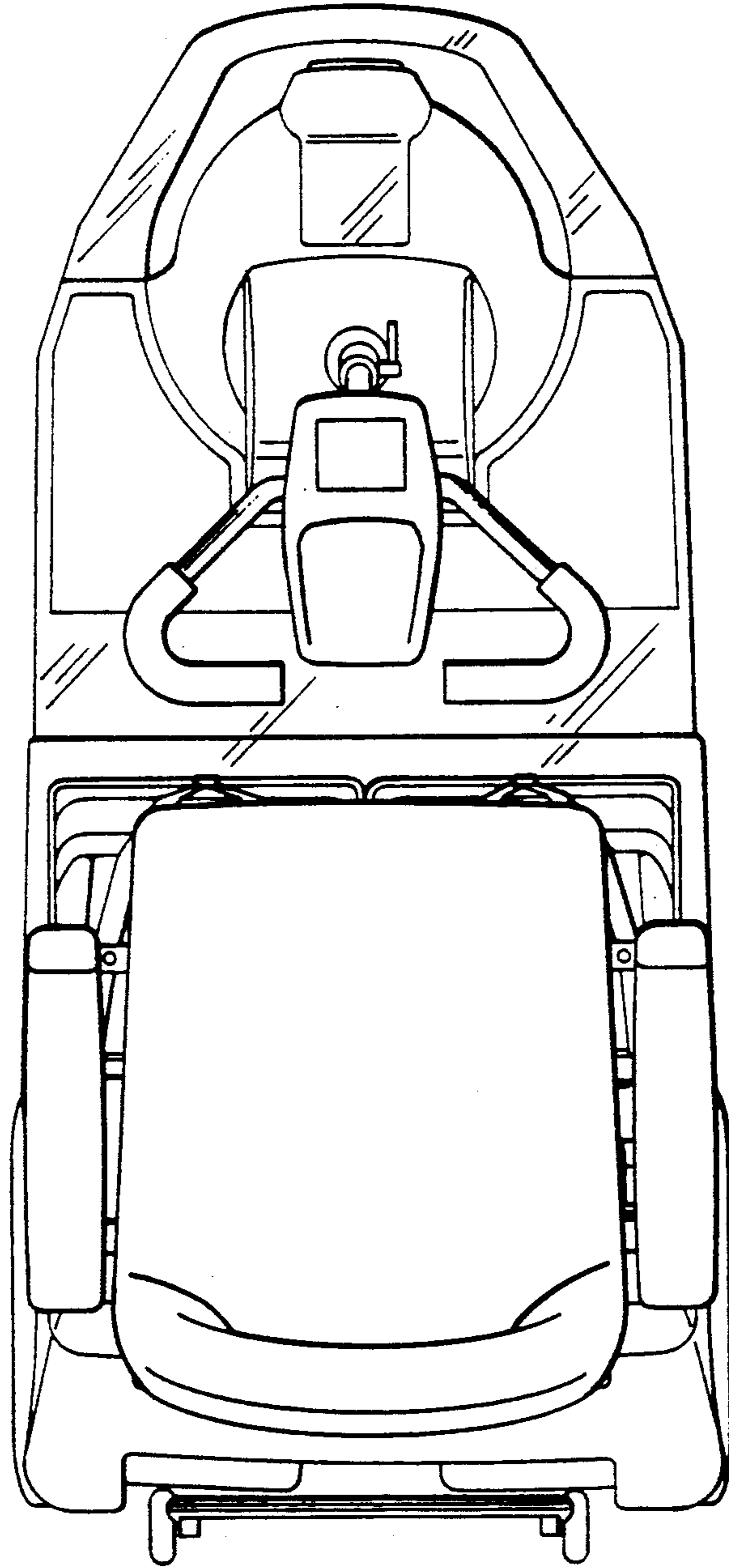


FIG 7