

United States Patent [19]

Chumenti

[11] Patent Number: Des. 322,030

[45] Date of Patent: ** Dec. 3, 1991

[54] **COMBINED TAPE DISPENSER AND DISPLAY PACKAGE**

[76] Inventor: Vincent A. Chumenti, 20 Soulice Pl., New Rochelle, N.Y. 10802

[**] Term: 14 Years

[21] Appl. No.: 288,699

[22] Filed: Dec. 22, 1988

[52] U.S. Cl. D9/415; D19/67; D19/69

[58] Field of Search D9/415, 418; D19/67, D19/68, 69; 225/6, 39, 44, 45, 65, 77, 89

[56] **References Cited**

U.S. PATENT DOCUMENTS

D. 205,549	8/1966	Wessen	D9/415
D. 234,122	1/1975	Horglitt	D9/415
D. 234,294	2/1975	Gorman	D9/415 X
D. 247,222	2/1978	Paone et al.	D9/415
D. 251,125	2/1979	DuFresne et al.	D19/67
D. 260,368	8/1981	Dunshee et al.	D9/415
D. 261,988	11/1981	Nichols et al.	D9/415

D. 275,835	10/1984	Borst	D9/415
D. 276,215	11/1984	Wang	D9/415
D. 288,533	3/1987	Jialanella et al.	D9/415
1,001,402	8/1911	Hindle	D19/69 X

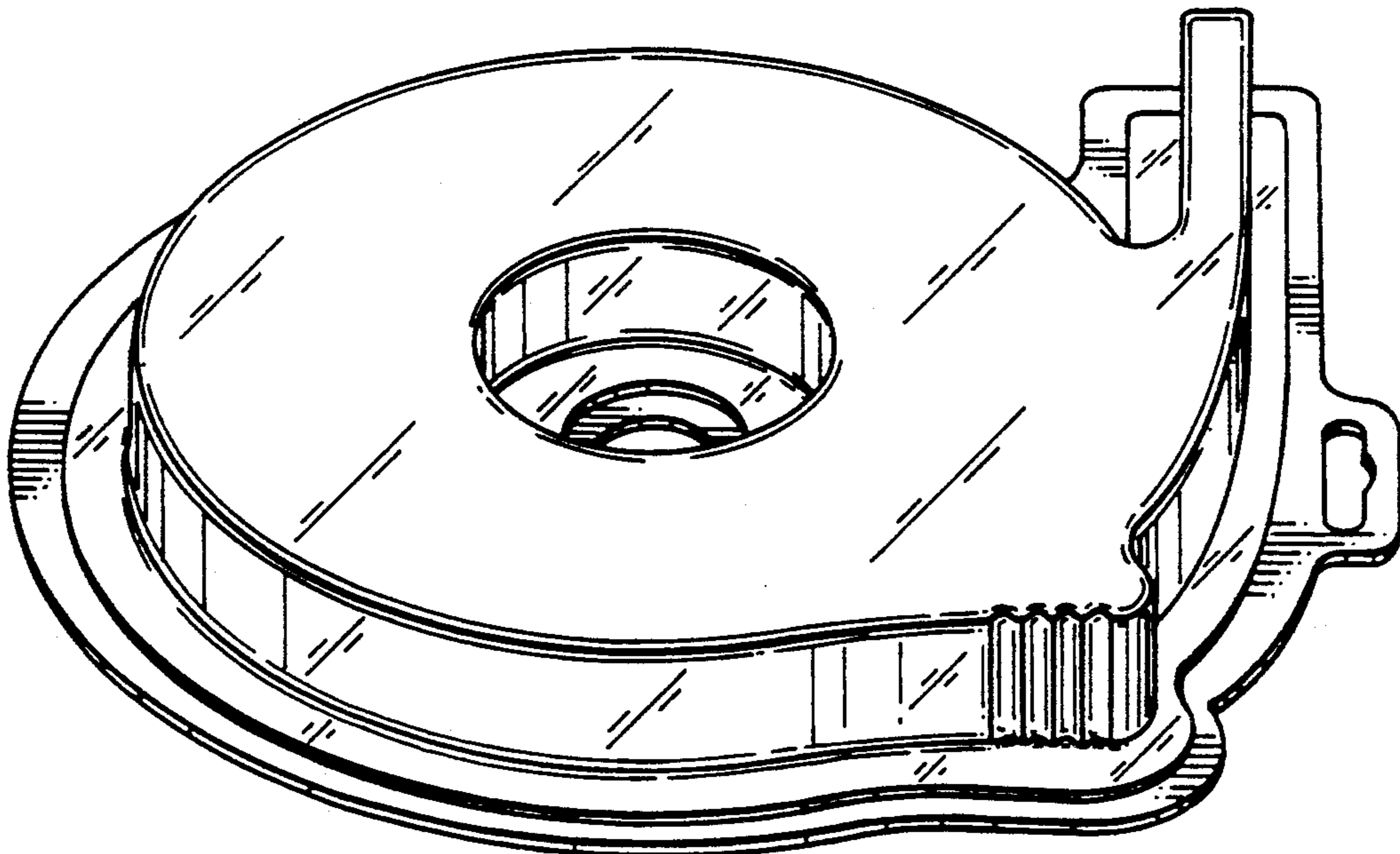
Primary Examiner—Bruce W. Dunkins
Assistant Examiner—Martha Thompson
Attorney, Agent, or Firm—St. Onge Steward Johnston & Reens

[57] **CLAIM**

The ornamental design for a combined tape dispenser and display package, as shown and described.

DESCRIPTION

FIG. 1 is a top perspective view of a combined tape dispenser and display package showing my new design; FIG. 2 is a front elevational view; FIG. 3 is a side elevational view; FIG. 4 is a bottom plan view; FIG. 5 is a top plan view; FIG. 6 is a side elevational view of the side opposite that shown in FIG. 3; and FIG. 7 is a rear elevational view thereof.



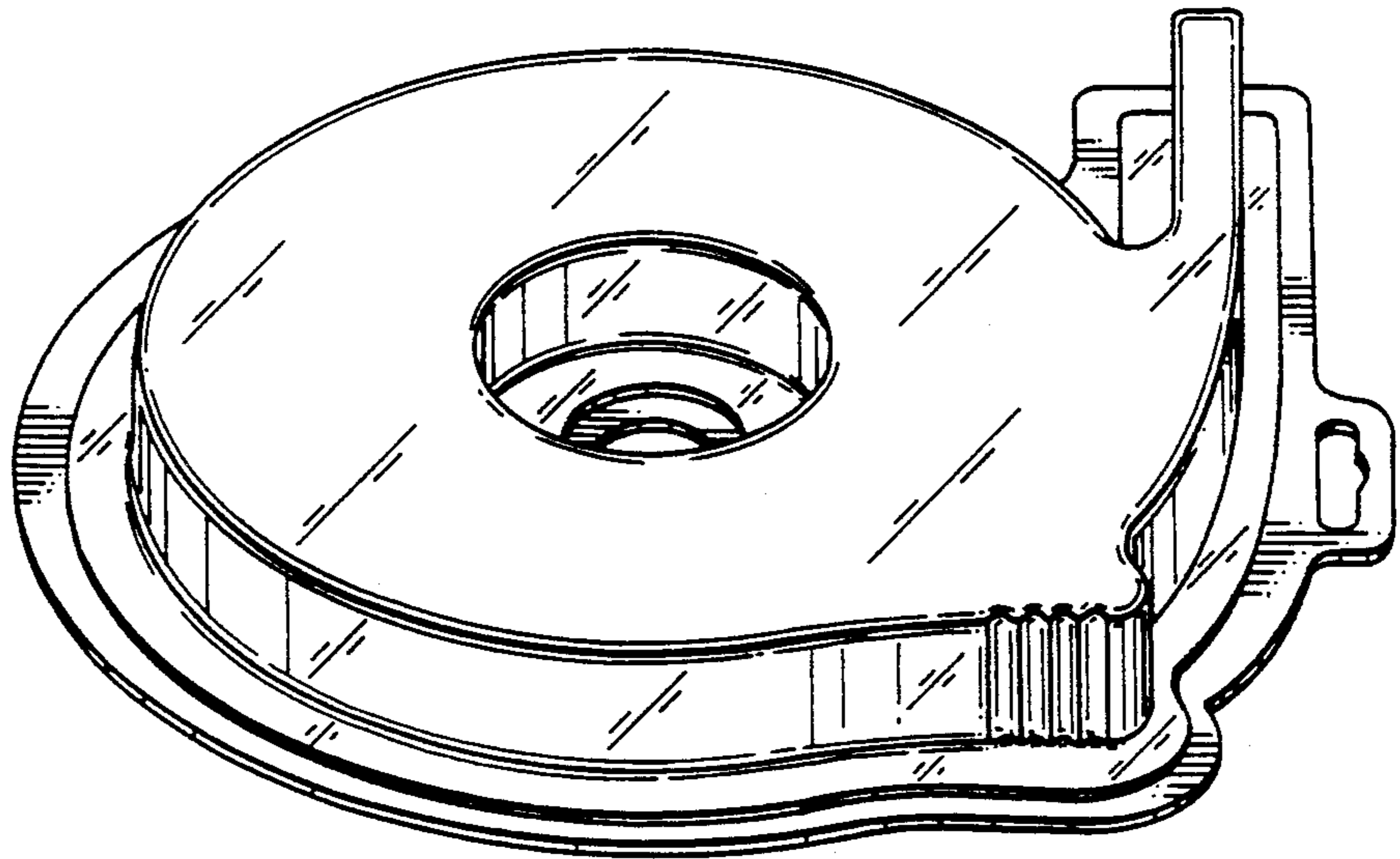


FIG. 1

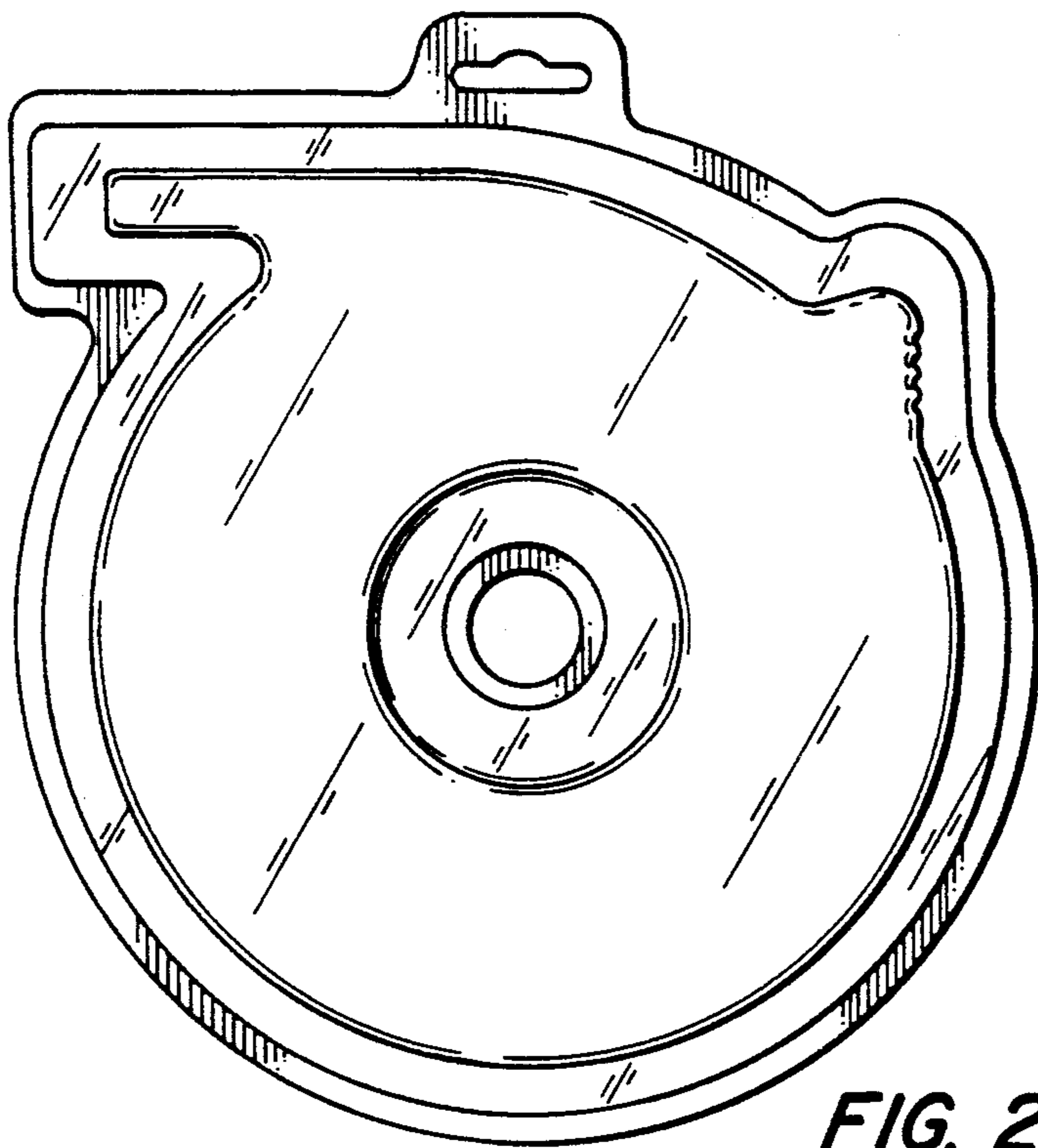


FIG. 2

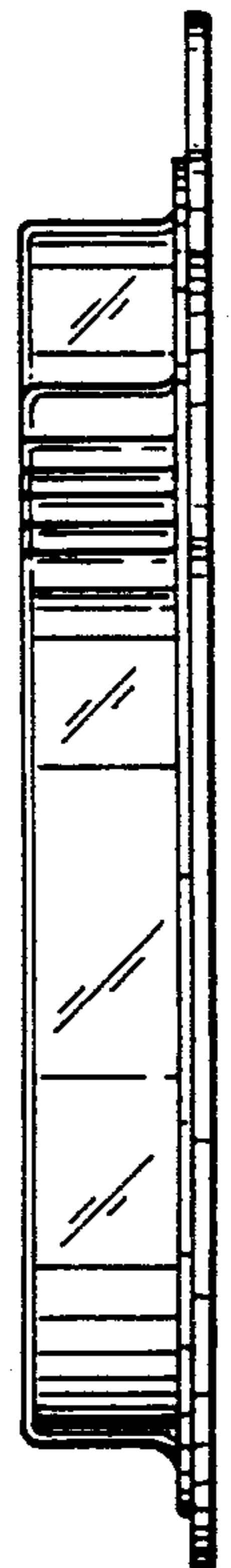


FIG. 3

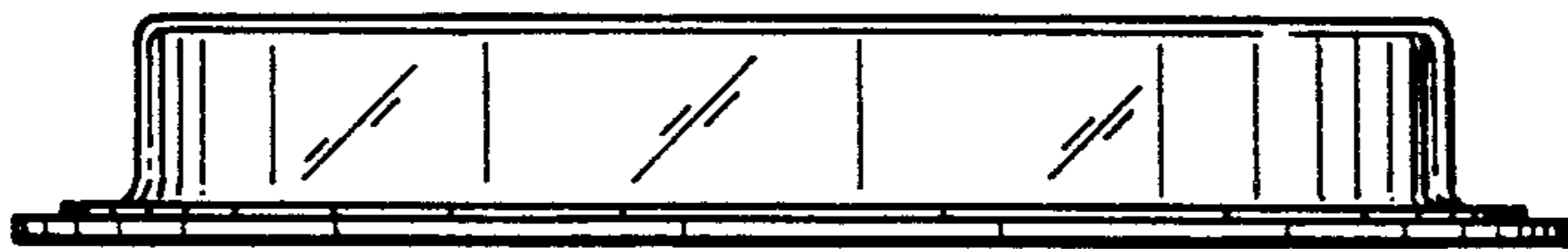


FIG. 4

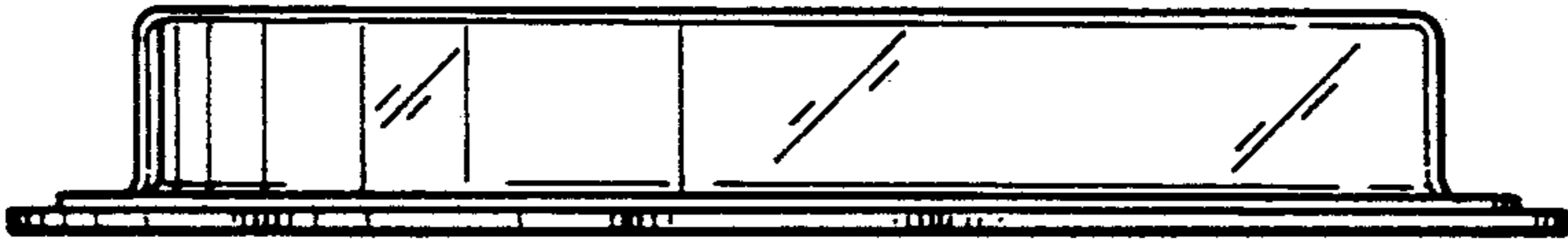


FIG. 5

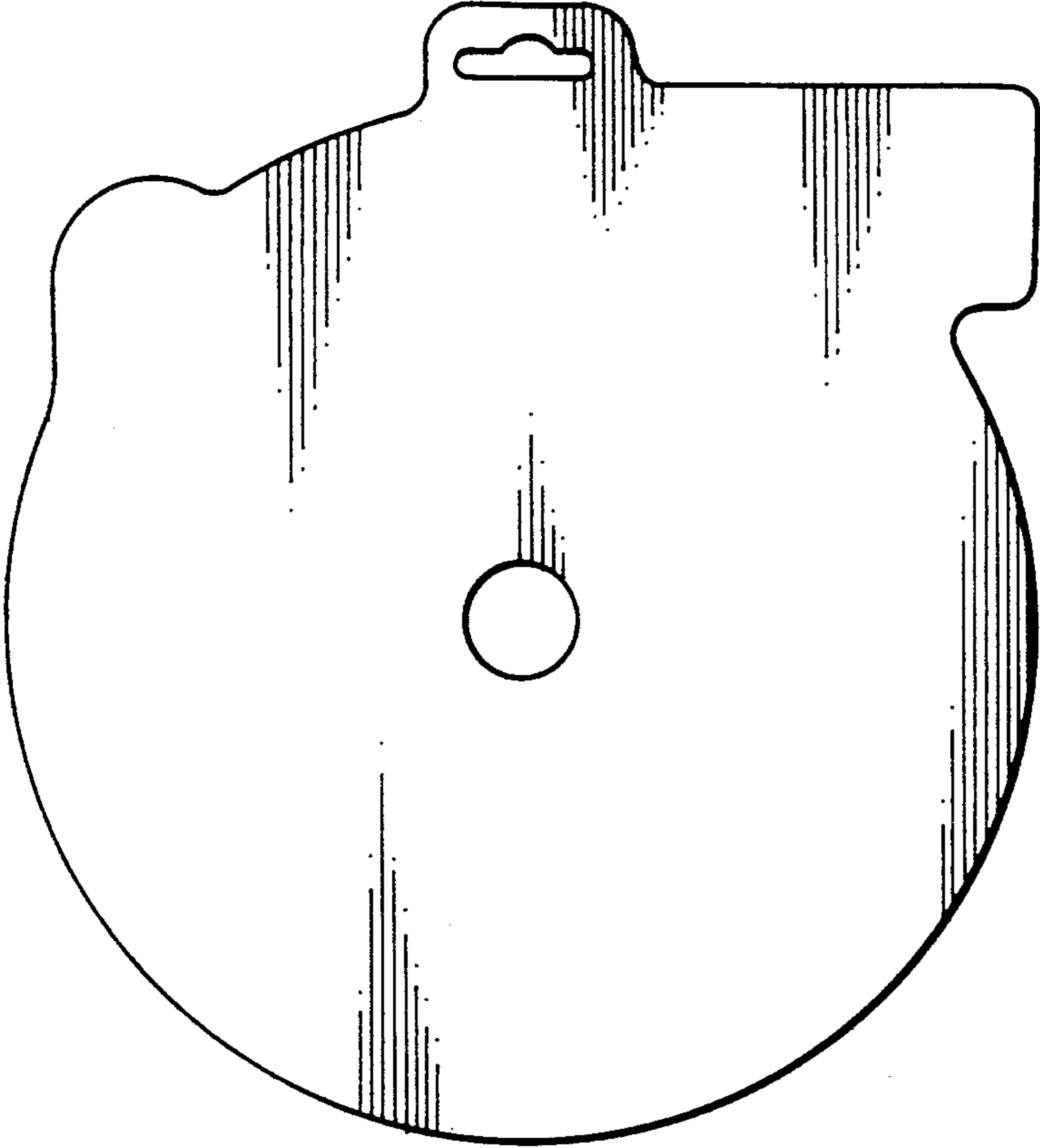


FIG. 7



FIG. 6