

[54] **TUBE CLAMP**

[76] **Inventor: Shiro Kanao, 4-9-18, Nanpeidai,  
Takatsuki-Shi, Osaka, Japan**

[\*\*] **Term: 14 Years**

[21] **Appl. No.: 514,009**

[22] **Filed: Apr. 26, 1990**

[30] **Foreign Application Priority Data**

Oct. 30, 1989 [JP] Japan ..... 1-39580

[52] **U.S. Cl. .... D8/396**

[58] **Field of Search ..... D8/396; D23/265, 266;  
24/19, 20 R, 20 LS, 279, 280, 286; 285/420**

[56] **References Cited**

**U.S. PATENT DOCUMENTS**

- D. 268,735 4/1983 Kanao ..... D8/396
- D. 270,997 10/1983 Kanao ..... D8/396
- 477,227 6/1892 Redfield ..... 24/279

- 3,658,097 4/1972 Martin et al. .... D23/266
- 3,914,833 10/1975 Dunmire ..... 24/279
- 4,365,393 12/1982 Hauffe et al. .... 24/279
- 4,489,464 12/1984 Massari et al. .... 24/279
- 4,592,576 6/1986 Proctor et al. .... D8/396

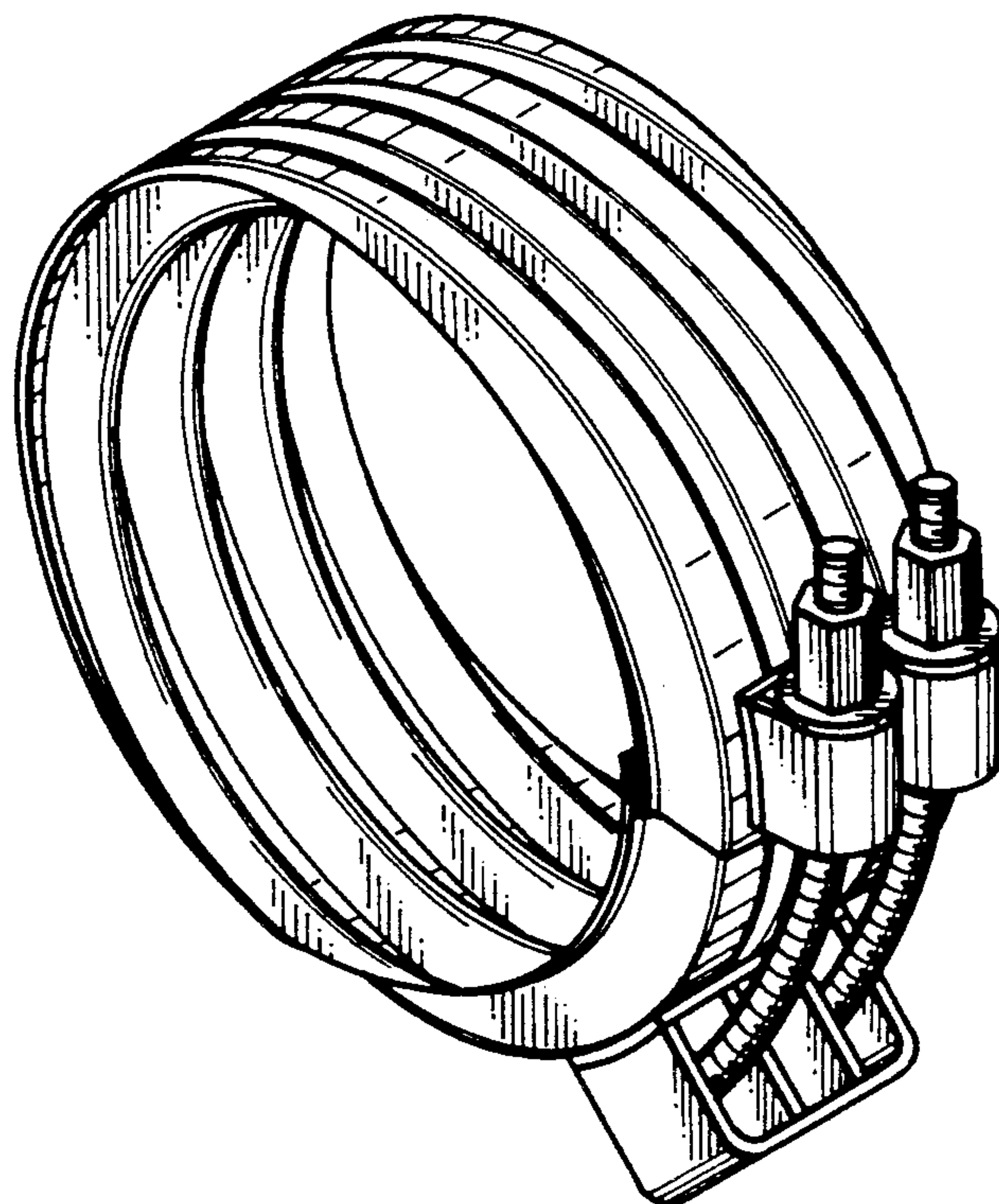
*Primary Examiner*—B. J. Bullock  
*Attorney, Agent, or Firm*—Sughrue, Mion, Zinn  
Macpeak & Seas

[57] **CLAIM**

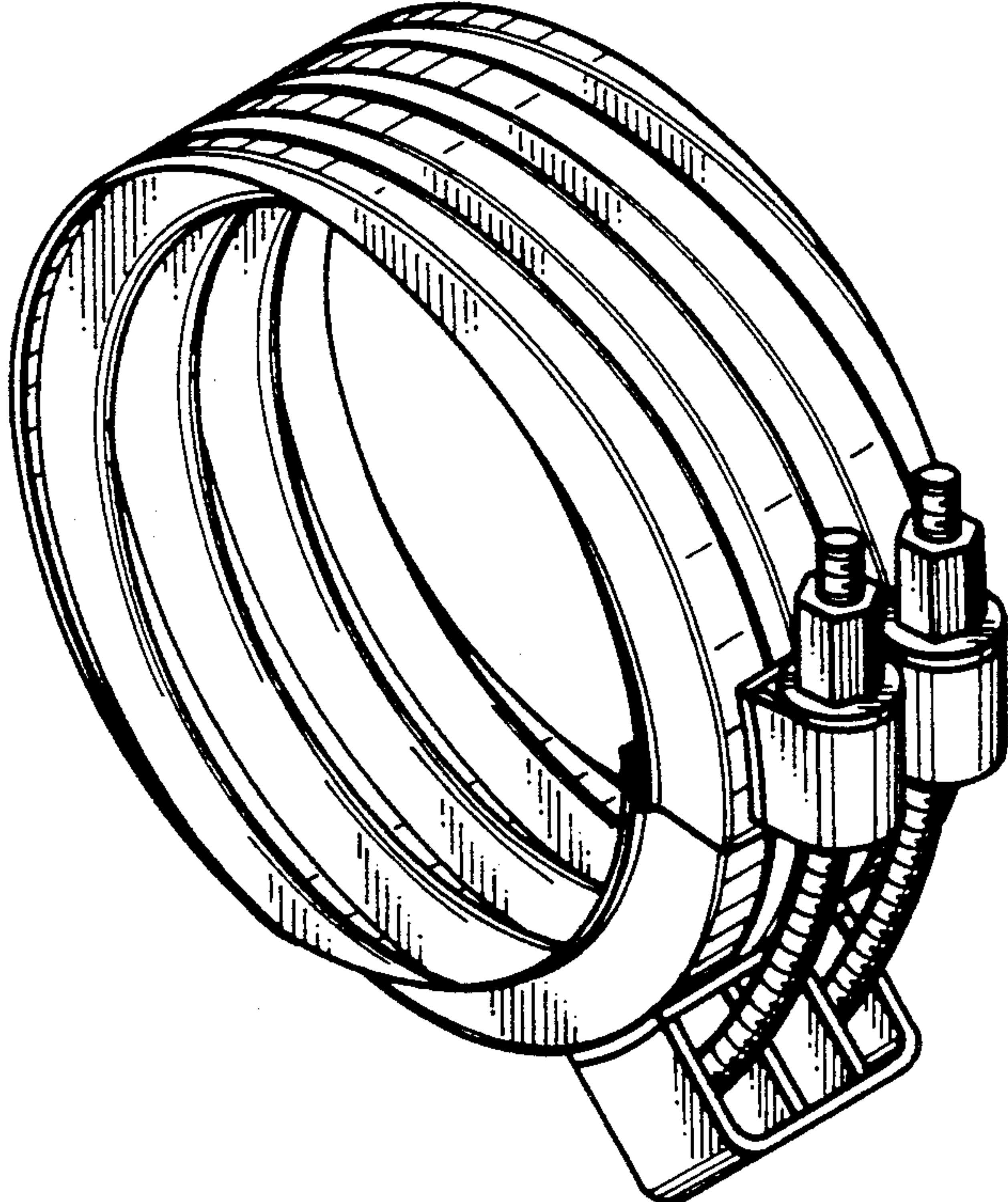
The ornamental design for a tube clamp, as shown.

**DESCRIPTION**

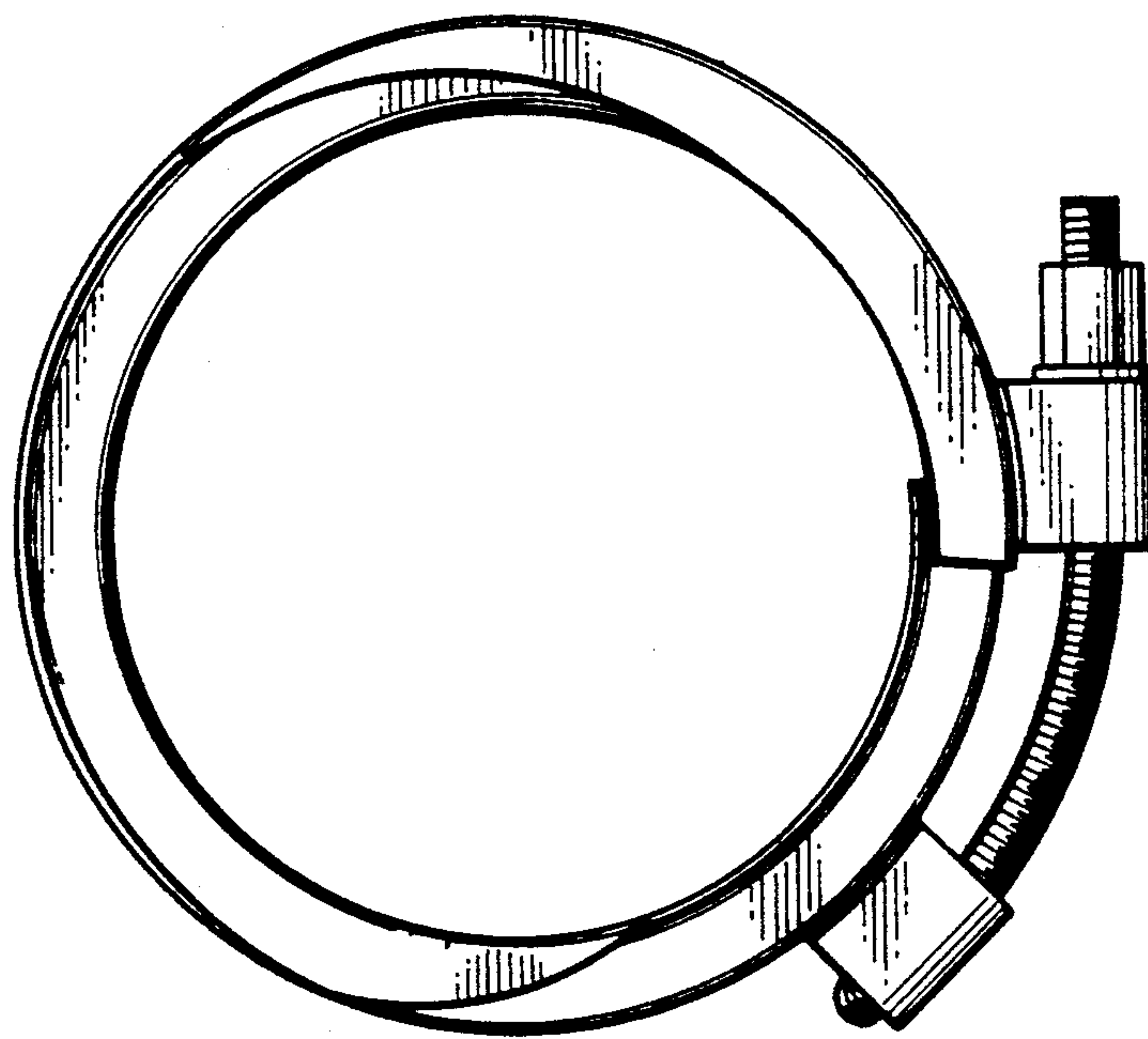
- FIG. 1 is a perspective view of a tube clamp showing my new design;
- FIG. 2 is a front elevational view thereof;
- FIG. 3 is a rear elevational view thereof;
- FIG. 4 is a top plan view thereof;
- FIG. 5 is a bottom plan view thereof;
- FIG. 6 is a left end elevational view thereof;
- FIG. 7 is a right end elevational view thereof.



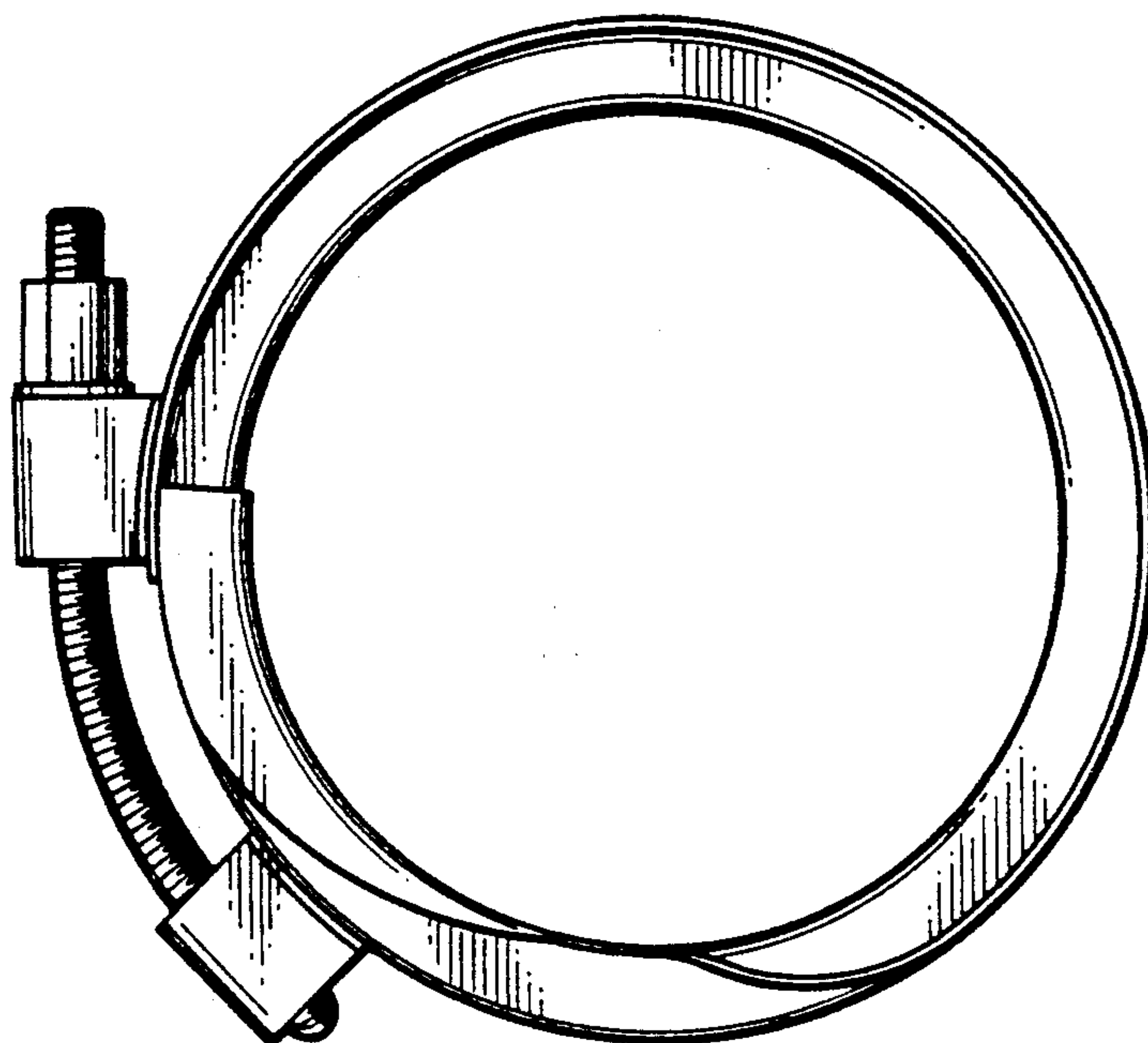
*Fig. 1*



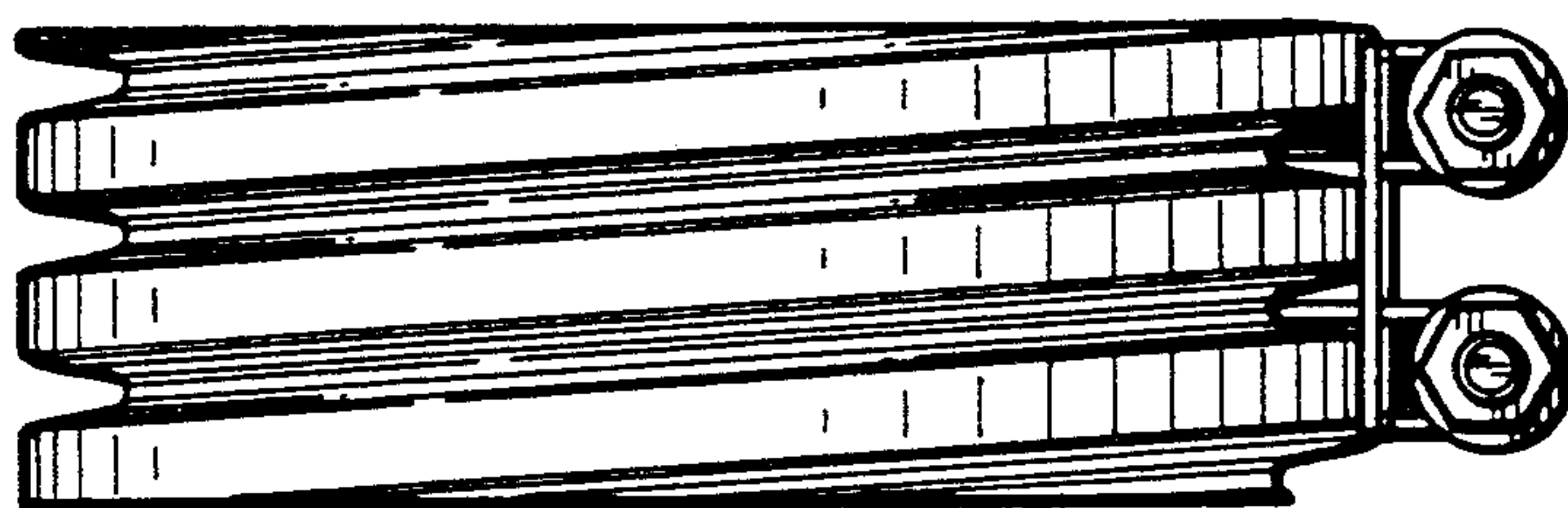
*Fig. 2*



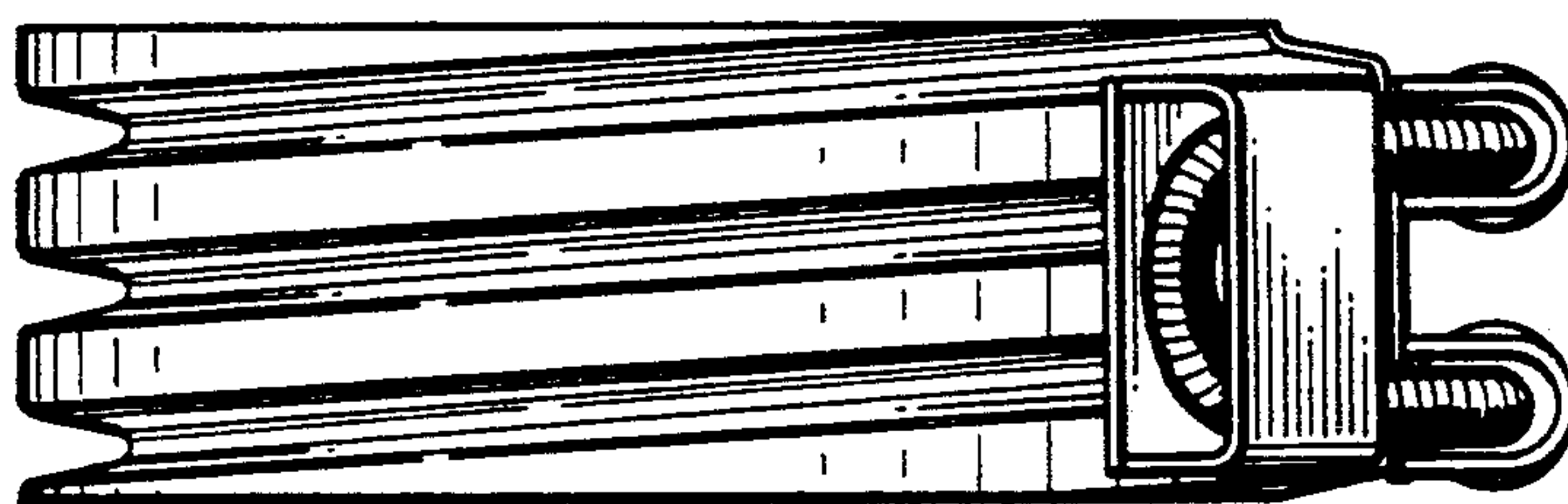
*Fig. 3*



*Fig. 4*



*Fig. 5*



*Fig. 6*



*Fig. 7*

