

- [54] **INTERLOCKING TWO CAN CONNECTOR FOR FURNITURE, TOYS OR THE LIKE**
- [75] **Inventor: Lance W. Funston, 2044 Spruce St., Philadelphia, Pa. 19103**
- [73] **Assignee: Lance W. Funston, Philadelphia, Pa.**
- [\*\*] **Term: 14 Years**
- [21] **Appl. No.: 327,576**
- [22] **Filed: Mar. 23, 1989**
- [52] **U.S. Cl. .... D8/382; D21/108**
- [58] **Field of Search ..... D8/382, 396; D21/108; 220/23.4, 23.83; 206/427; 446/85, 126, 128; 403/217, 405.1, 286, 300**

- 4,170,082 10/1979 Freedman .  
 4,352,255 10/1982 Warehime .  
 4,860,896 8/1989 Snider ..... 220/23.4  
 4,940,137 7/1990 Straub ..... 220/23.4

**FOREIGN PATENT DOCUMENTS**

- 3635947 2/1988 Fed. Rep. of Germany ..... 446/124

*Primary Examiner*—B. J. Bullock  
*Attorney, Agent, or Firm*—Kenneth P. Glynn

[57] **CLAIM**

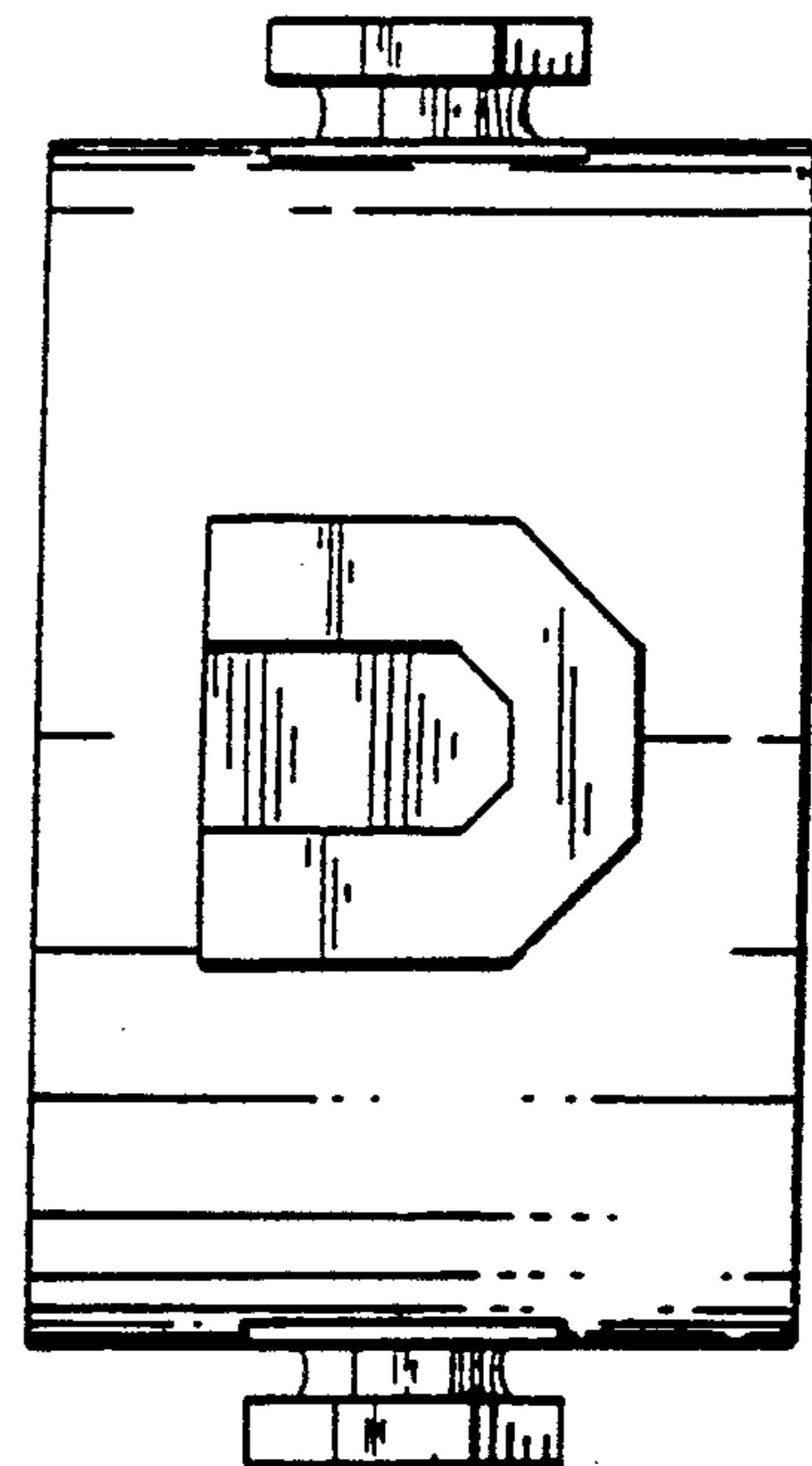
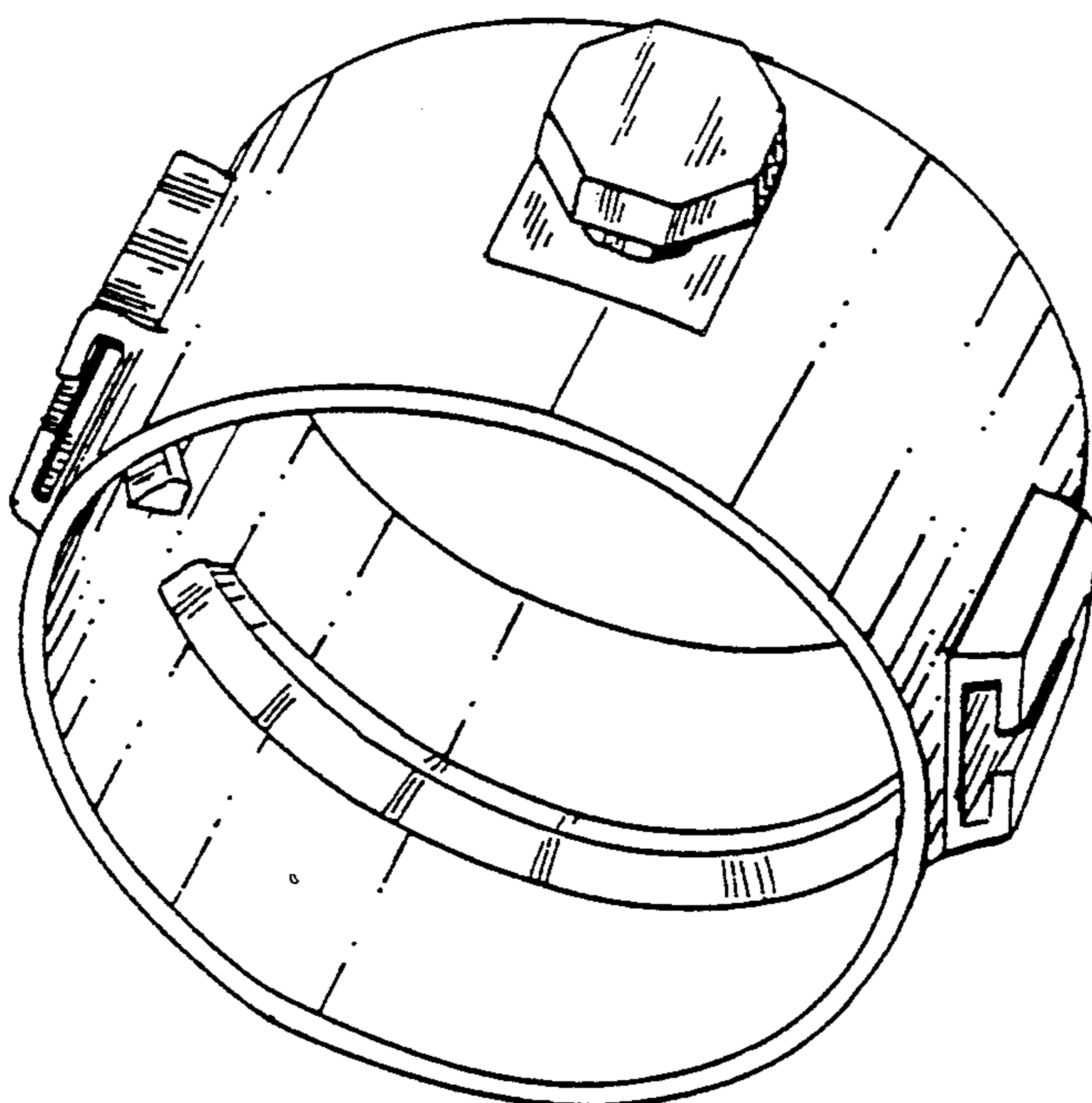
The ornamental design for an interlocking two can connector for furniture, toys or the like, as shown.

**DESCRIPTION**

FIG. 1 is a perspective view of an interlocking two can connector for furniture, toys, or the like showing my new design;  
 FIG. 2 is a front elevational view thereof;  
 FIG. 3 is a rear elevational view thereof;  
 FIG. 4 is a right side elevational view thereof;  
 FIG. 5 is a left side elevational view thereof;  
 FIG. 6 is a top plan view thereof;  
 FIG. 7 is a bottom plan view thereof.

[56] **References Cited**  
**U.S. PATENT DOCUMENTS**

- 3,086,629 4/1963 Blitzer .  
 3,422,564 1/1969 Izumi .  
 3,640,018 2/1972 Light .  
 3,751,082 8/1973 Somerville ..... 220/23.83  
 3,815,281 6/1974 Kander ..... 220/23.4



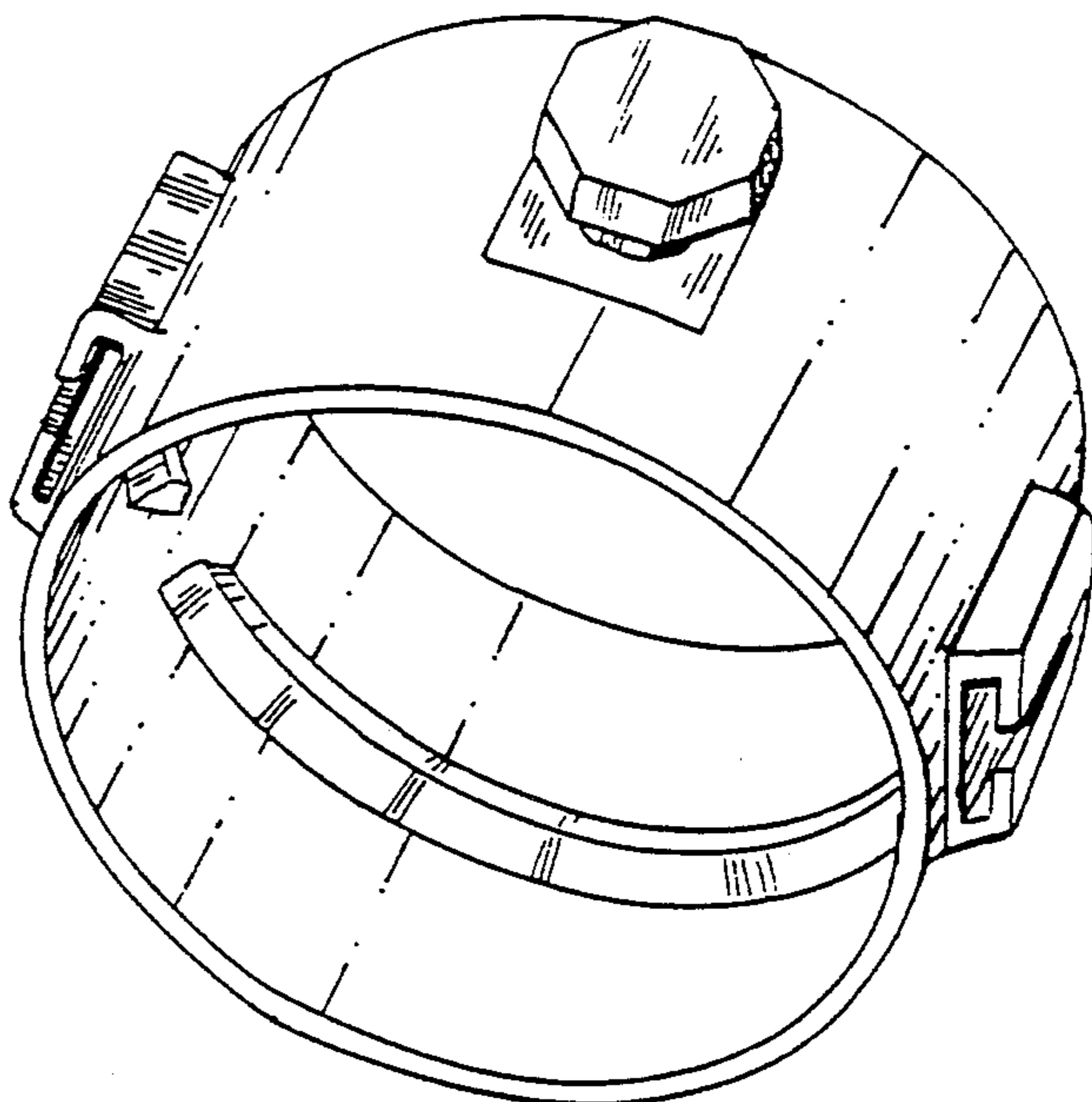


FIG. 1

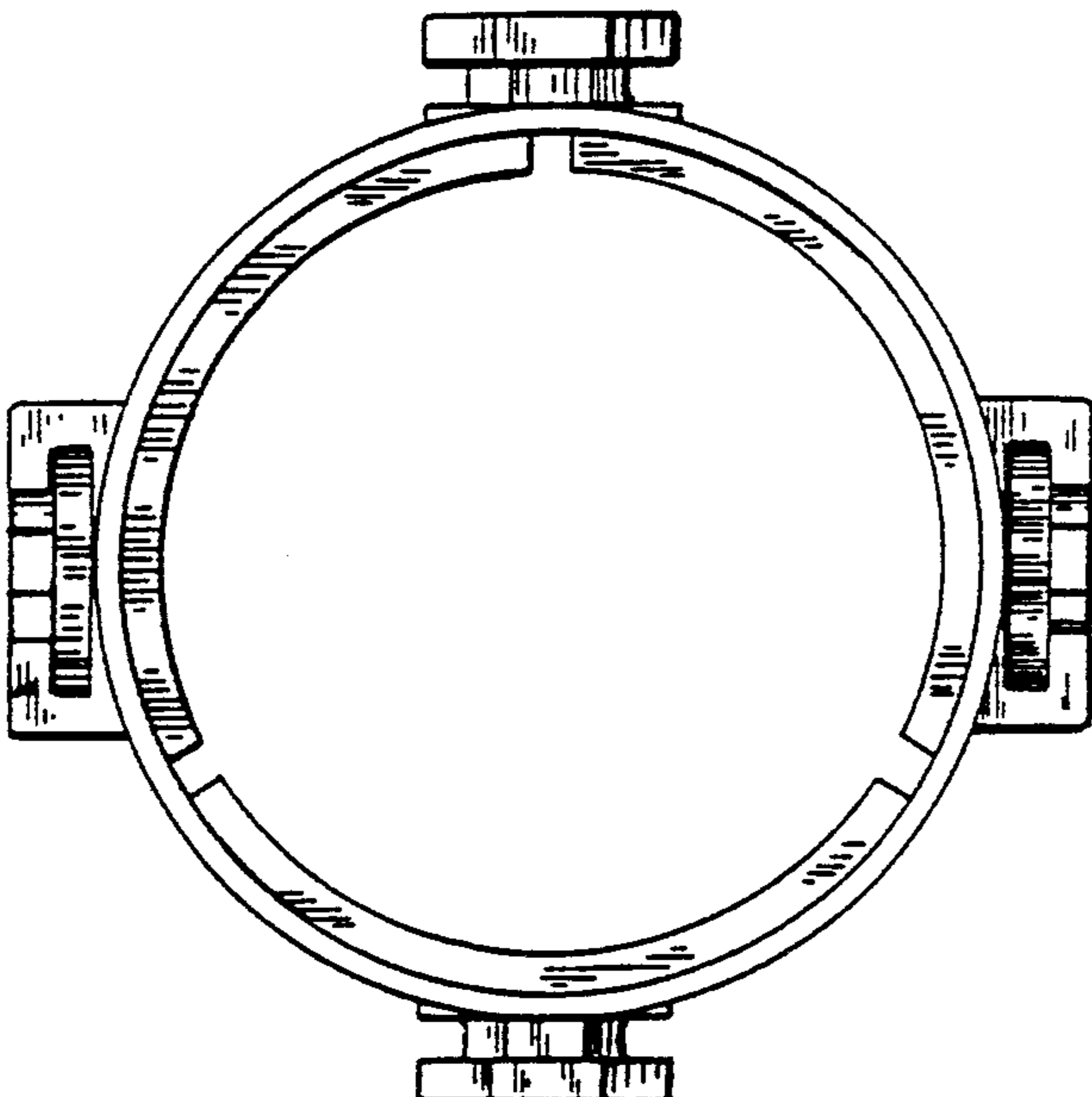


FIG. 2

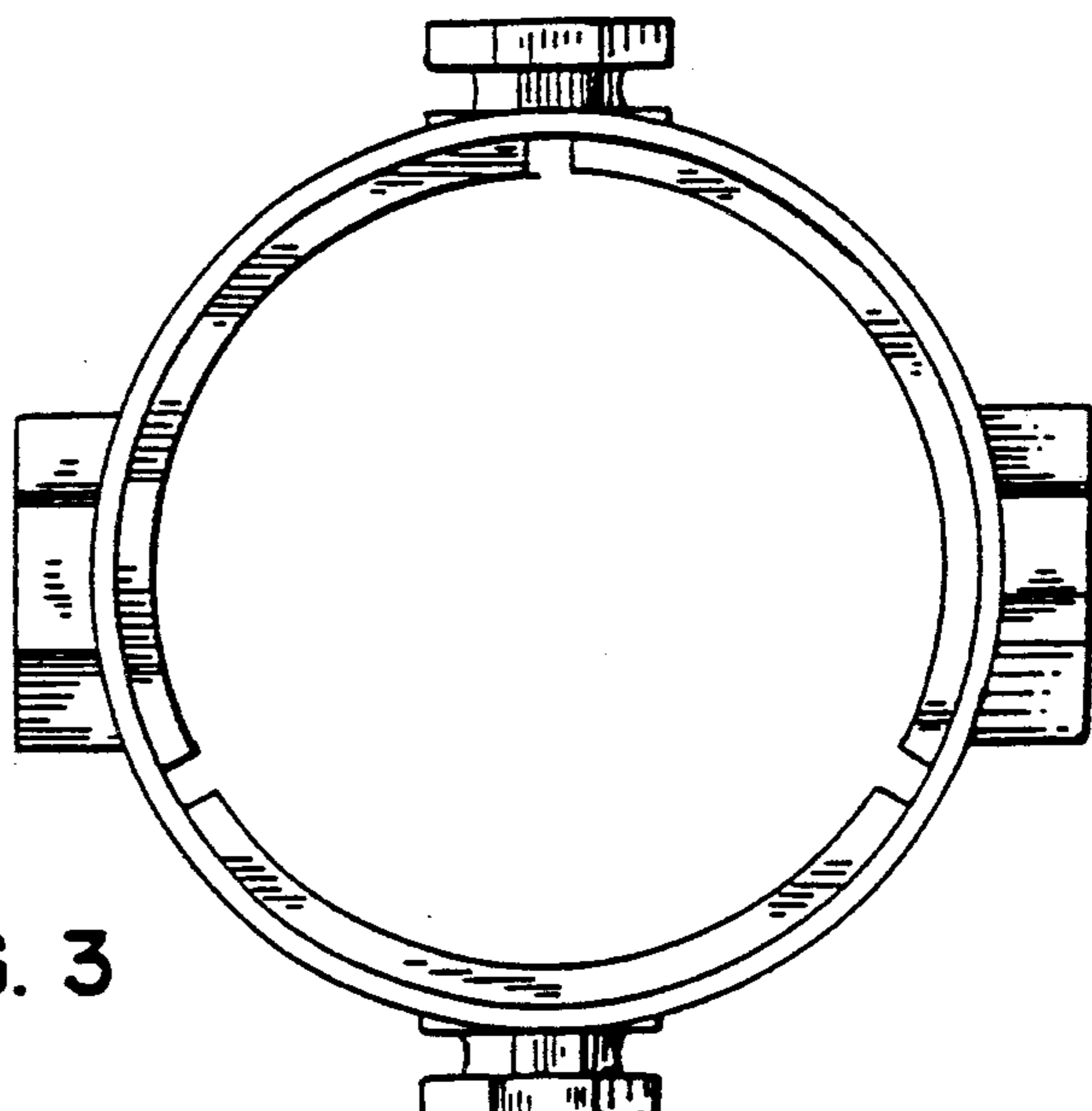


FIG. 3

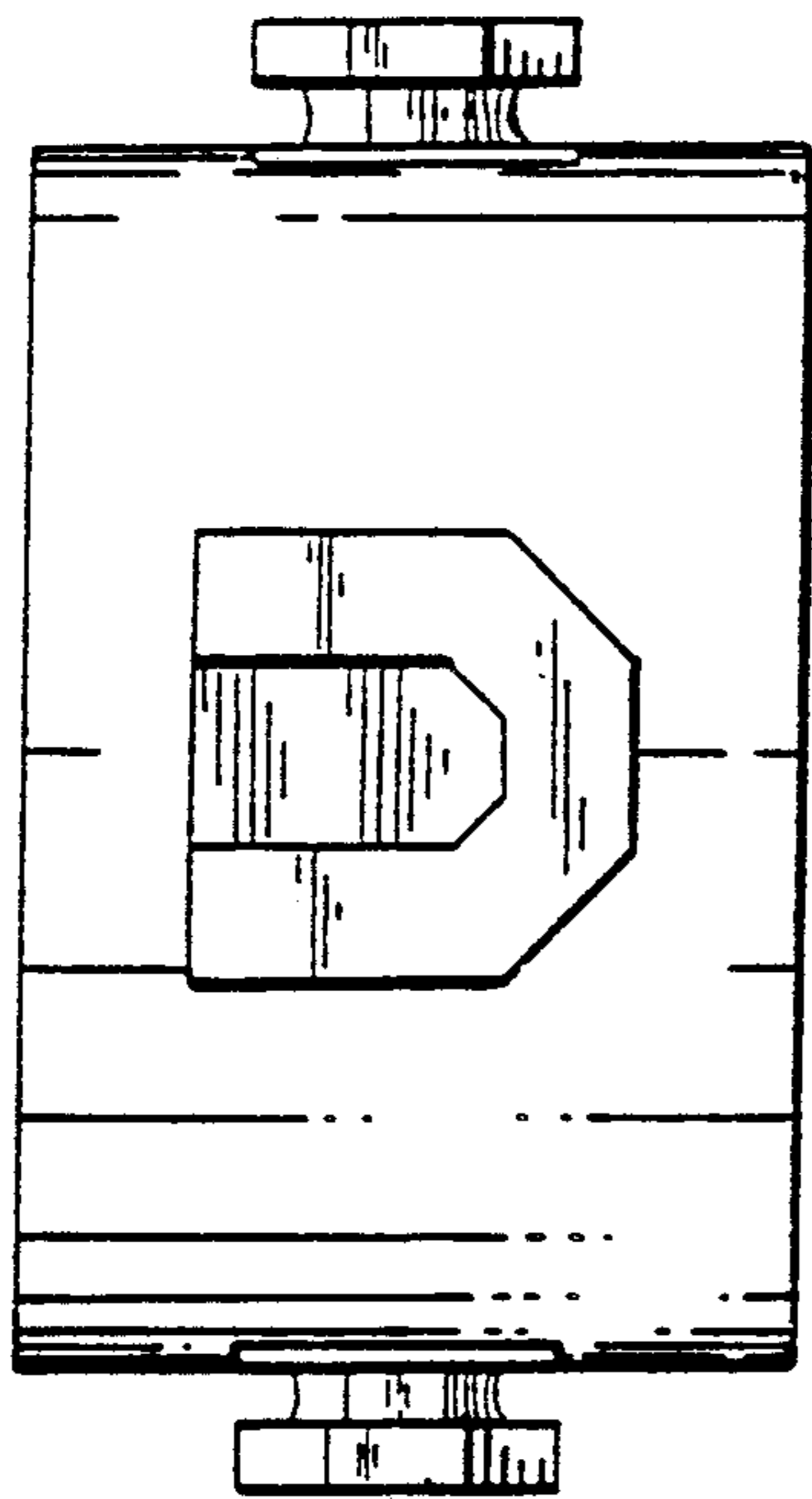


FIG. 4

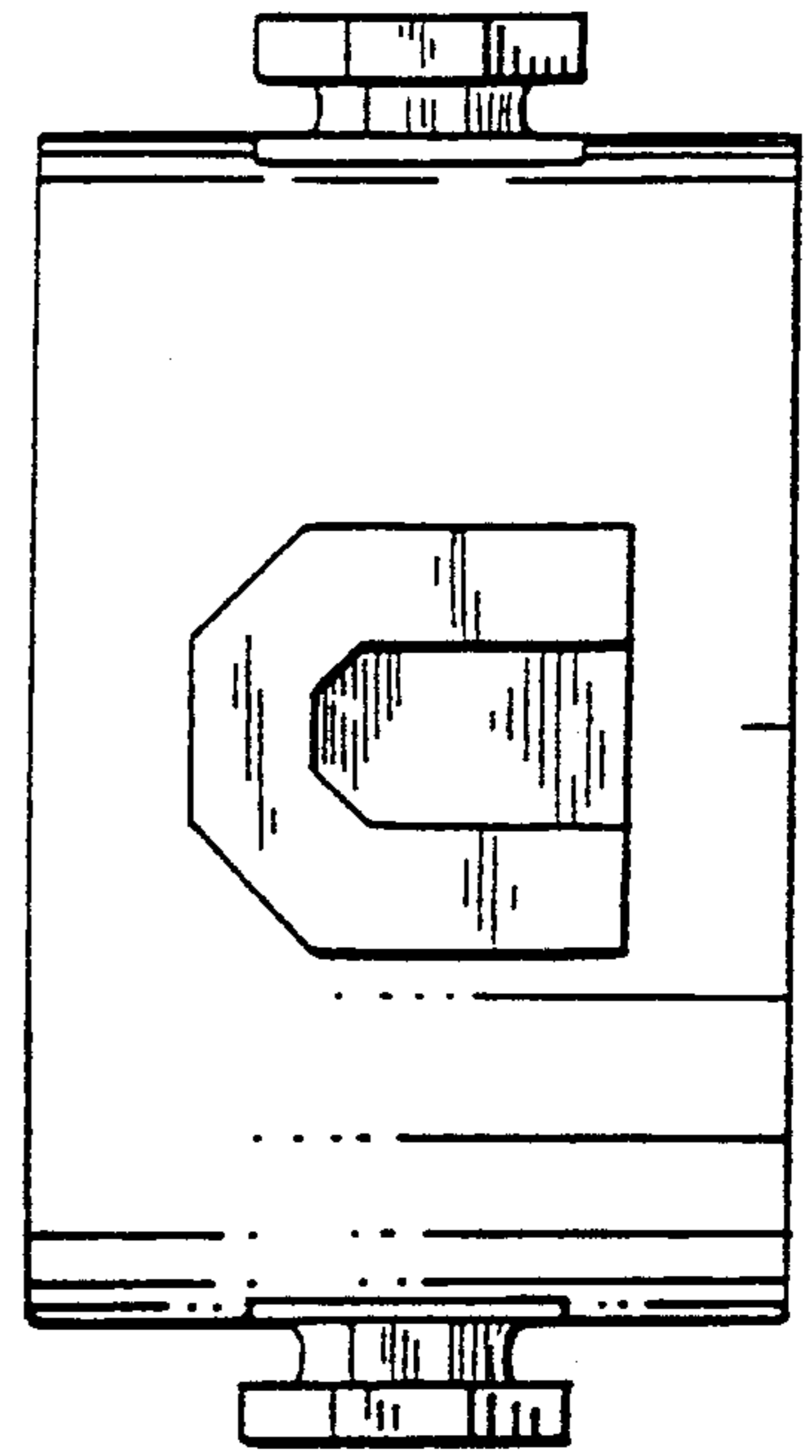


FIG. 5

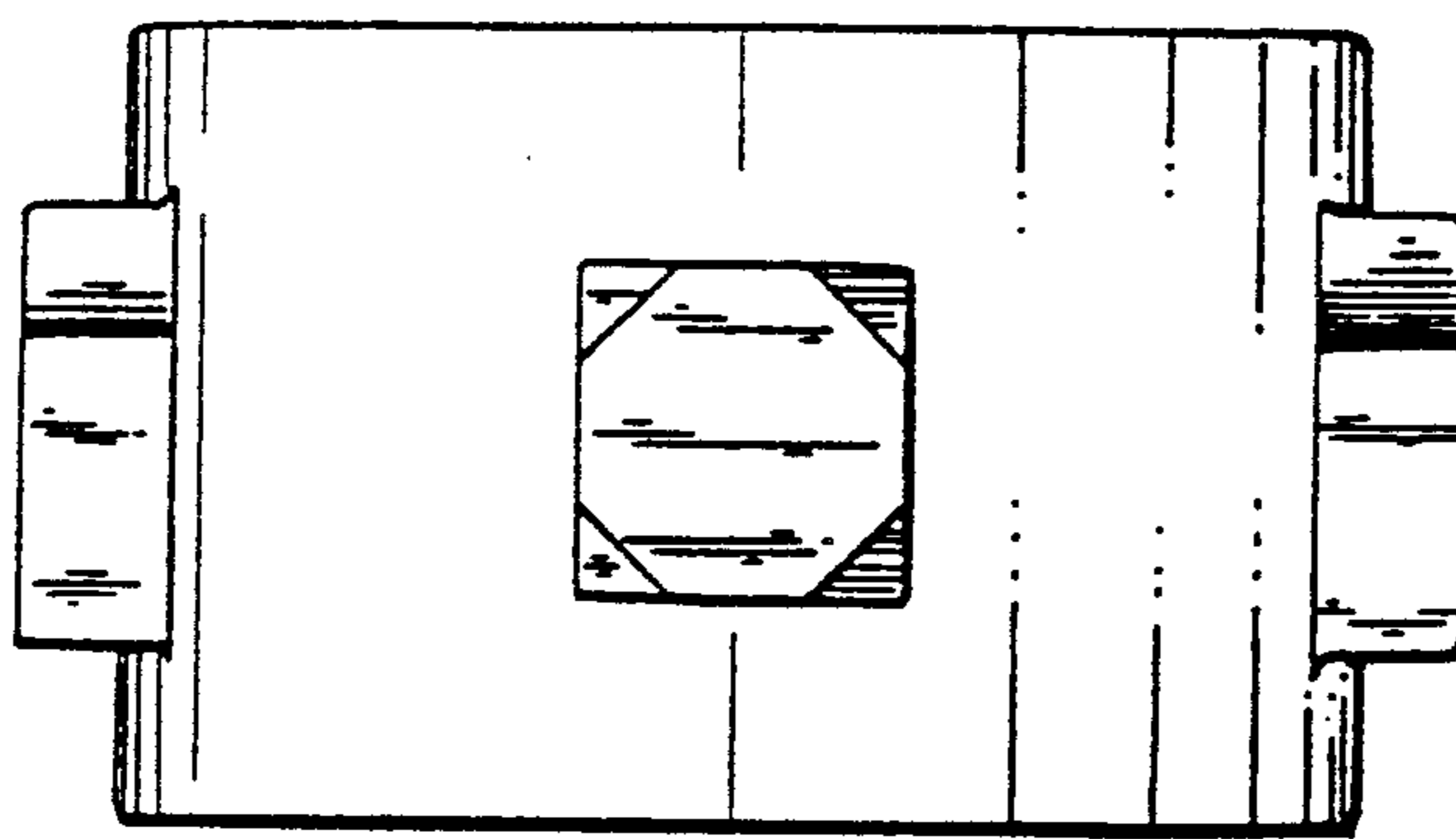


FIG. 6

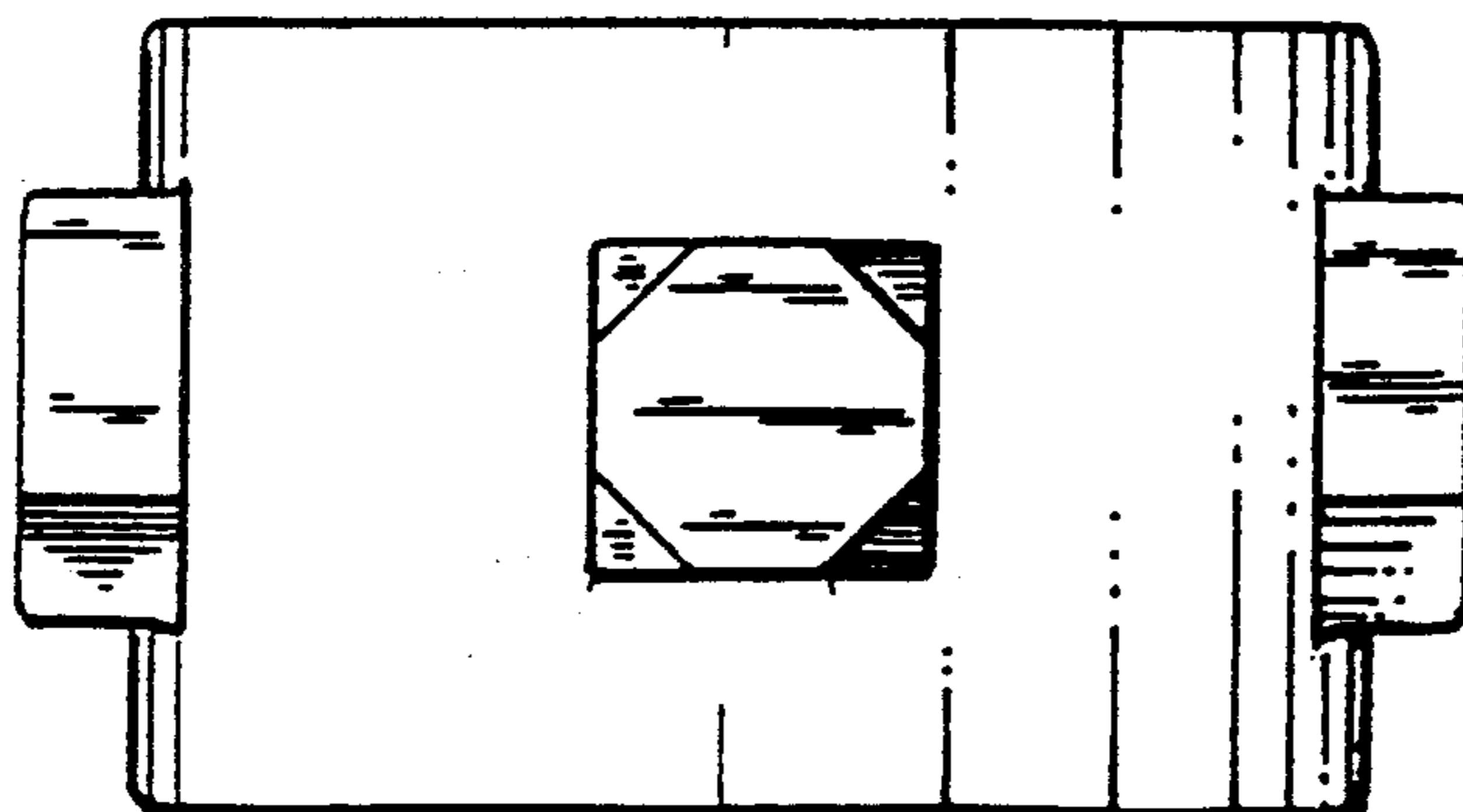


FIG. 7